



US00D882533S

(12) **United States Design Patent**
Fujino

(10) **Patent No.:** **US D882,533 S**

(45) **Date of Patent:** **** Apr. 28, 2020**

- (54) **PUSH BUTTON FOR SWITCH**
- (71) Applicant: **OMRON Corporation**, Kyoto-shi, Kyoto (JP)
- (72) Inventor: **Minoru Fujino**, Kyoto (JP)
- (73) Assignee: **OMRON Corporation**, Kyoto (JP)
- (**) Term: **15 Years**

6,103,982 A *	8/2000	Chien	H01H 23/025 200/276
D469,411 S *	1/2003	Decosse	D13/171
D496,336 S *	9/2004	Wang	D13/171
D537,317 S *	2/2007	Jackson, Jr.	D8/300
D570,300 S *	6/2008	Weinberg	D13/174
D593,510 S *	6/2009	Chen	D13/171
D645,005 S *	9/2011	Menheere	D13/171
D654,880 S *	2/2012	Lam	D13/174
D685,333 S *	7/2013	Beroukas	D13/174
D740,238 S *	10/2015	Dorn	D13/174

- (21) Appl. No.: **29/676,264**
- (22) Filed: **Jan. 9, 2019**

FOREIGN PATENT DOCUMENTS

JP	D1607775 S	6/2018
KR	3003603720000	8/2004

* cited by examiner

Primary Examiner — Selina Sikder
(74) *Attorney, Agent, or Firm* — Capitol City TechLaw

- (30) **Foreign Application Priority Data**
- Jul. 11, 2018 (JP) 2018-015317
- (51) **LOC (12) Cl.** **13-03**
- (52) **U.S. Cl.**
USPC **D13/174**
- (58) **Field of Classification Search**
USPC D13/162, 171, 174, 177; D7/405, 406
CPC .. H01H 3/12; H01H 9/02; H01H 9/16; H01H
9/18; H01H 9/181; H01H 9/182; H01H
13/04; H01H 13/14; H01H 2009/187;
G06F 3/0362; G05G 1/08; G05G 1/10;
H02G 3/14
See application file for complete search history.

(57) **CLAIM**
The ornamental design for a push button for switch, as shown and described.

DESCRIPTION

FIG. 1 is a front, top, and right side perspective view of a push button for switch showing my new design;
FIG. 2 is a front view thereof, a rear view being a mirror image thereof;
FIG. 3 is a left side view thereof, a right side view being a mirror image thereof;
FIG. 4 is a top view thereof; and,
FIG. 5 is a bottom view thereof.
The dashed broken lines in the figures show portions of the push button for switch that form no part of the claimed design.

- (56) **References Cited**
- U.S. PATENT DOCUMENTS**
- 4,127,838 A * 11/1978 Neveux G01K 1/14
337/112
- 6,087,605 A * 7/2000 Heidenfels H01H 13/14
200/341

1 Claim, 5 Drawing Sheets

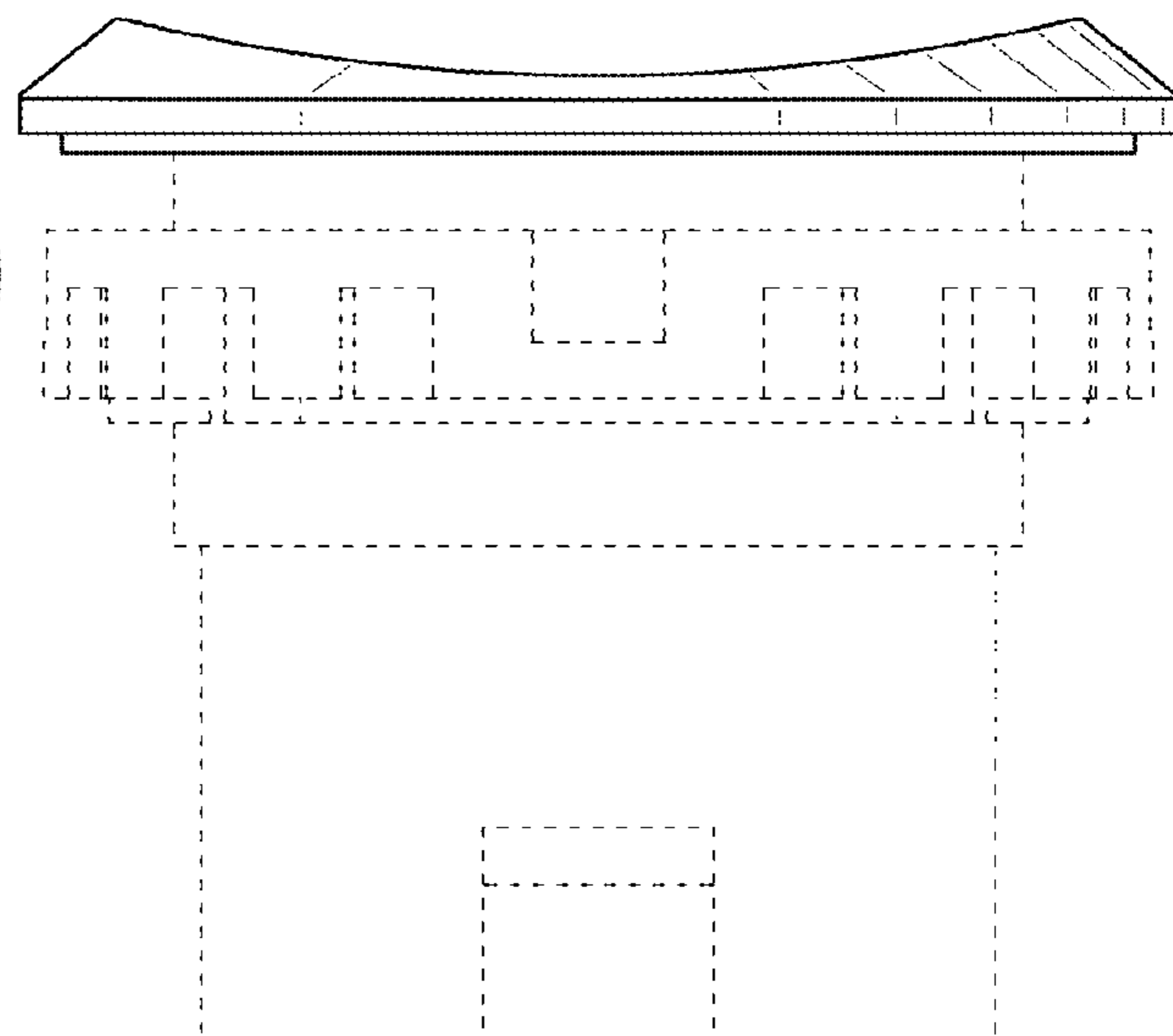
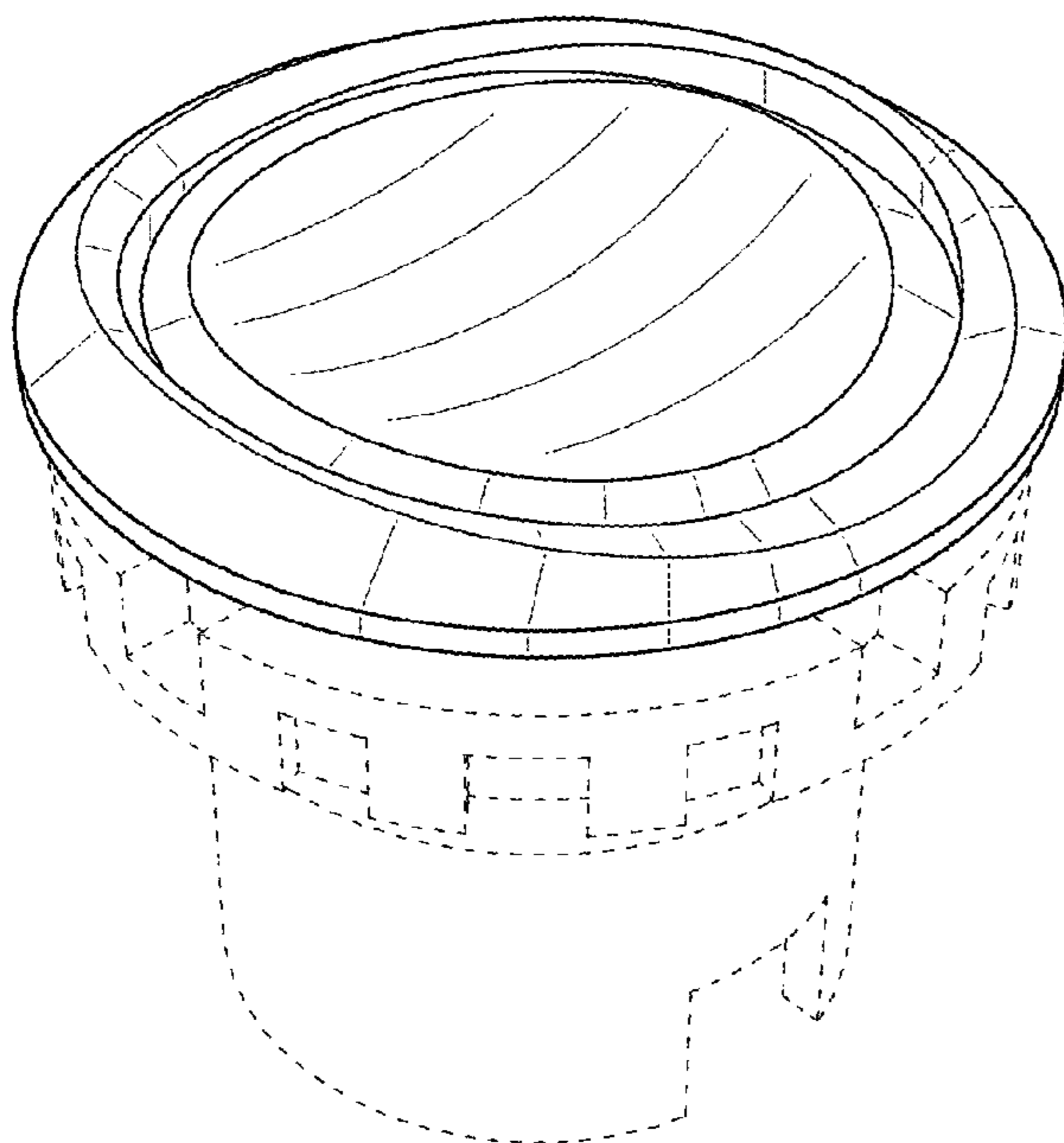


Fig. 1

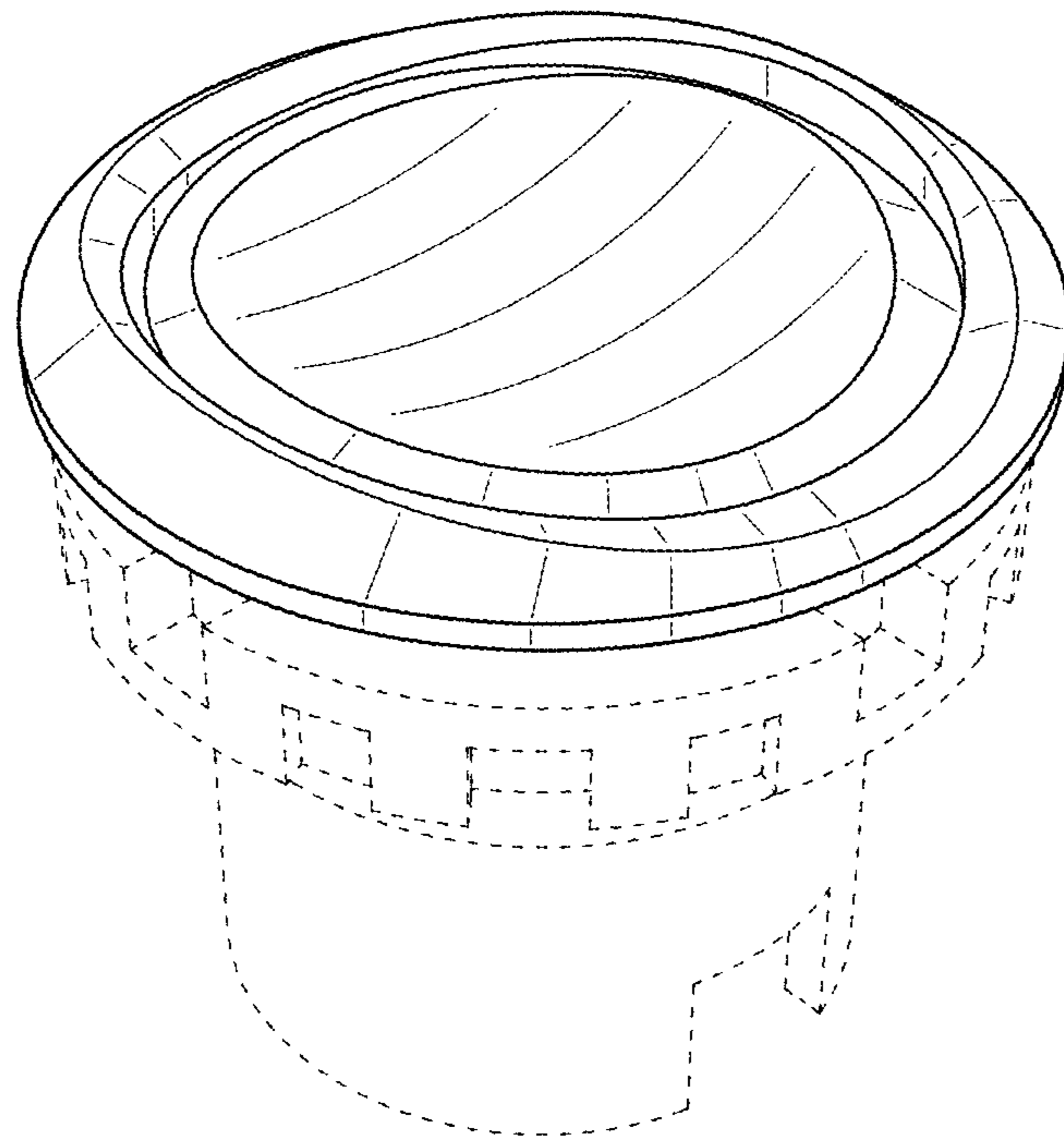


Fig. 2

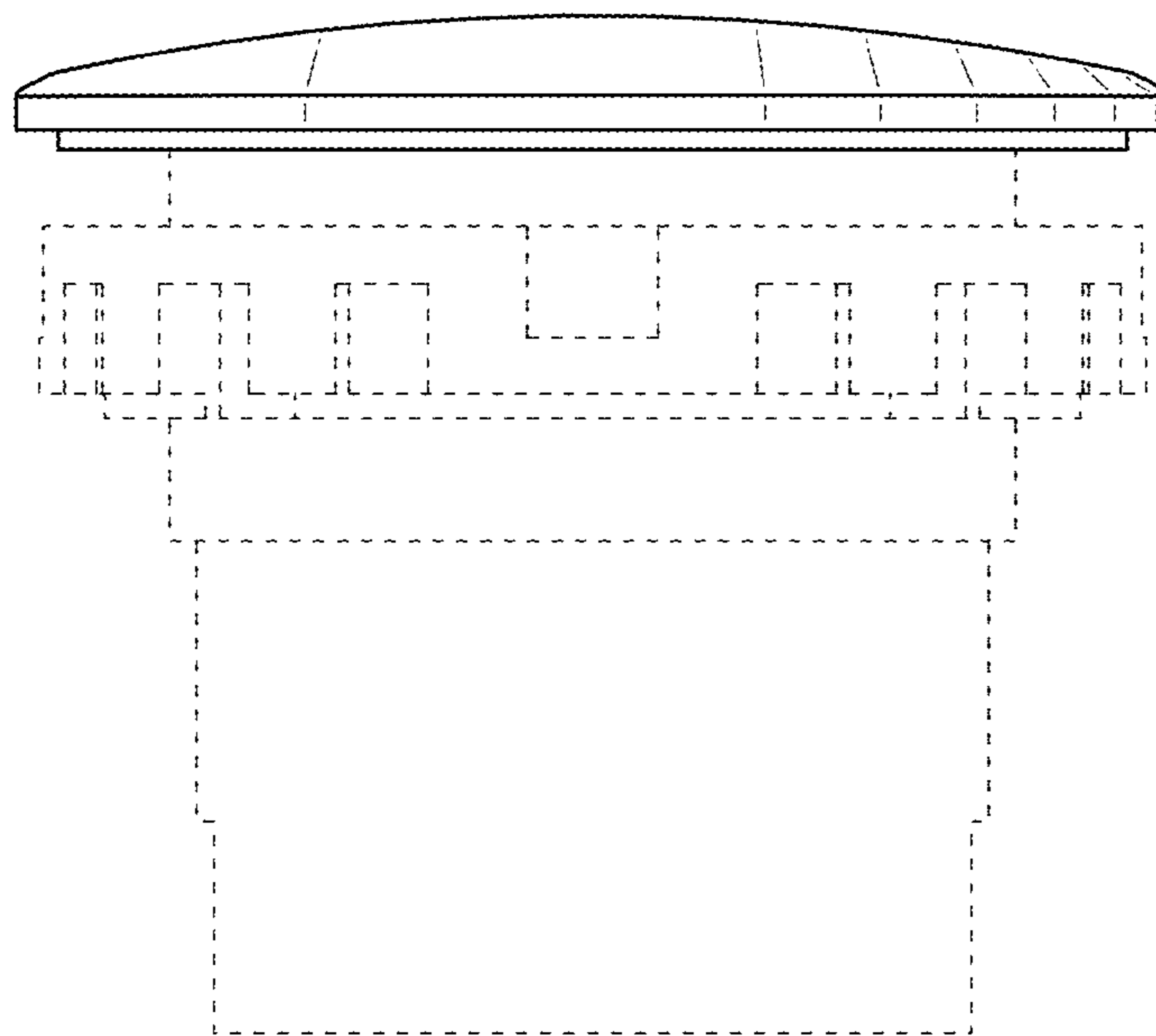


Fig. 3

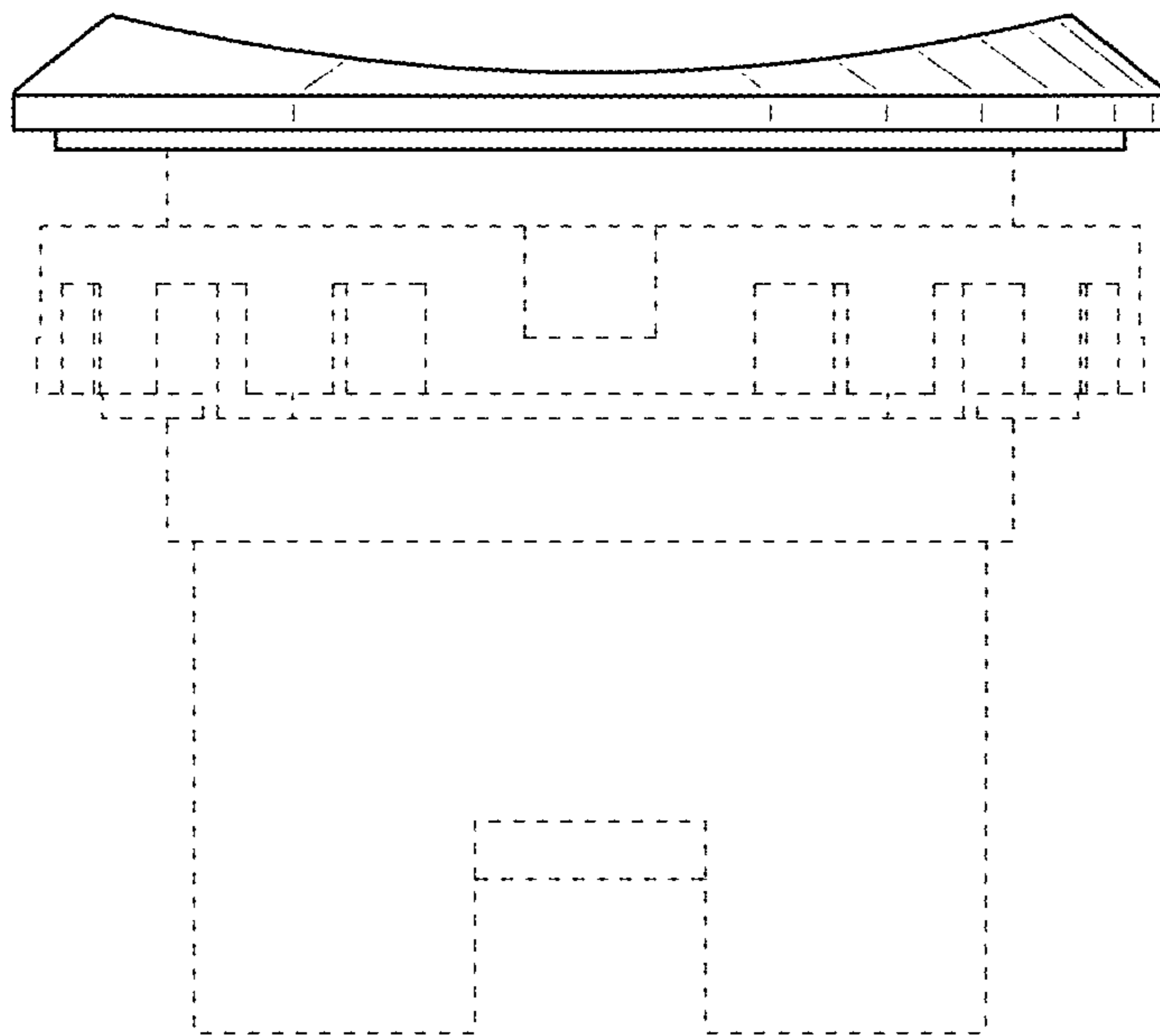


Fig. 4

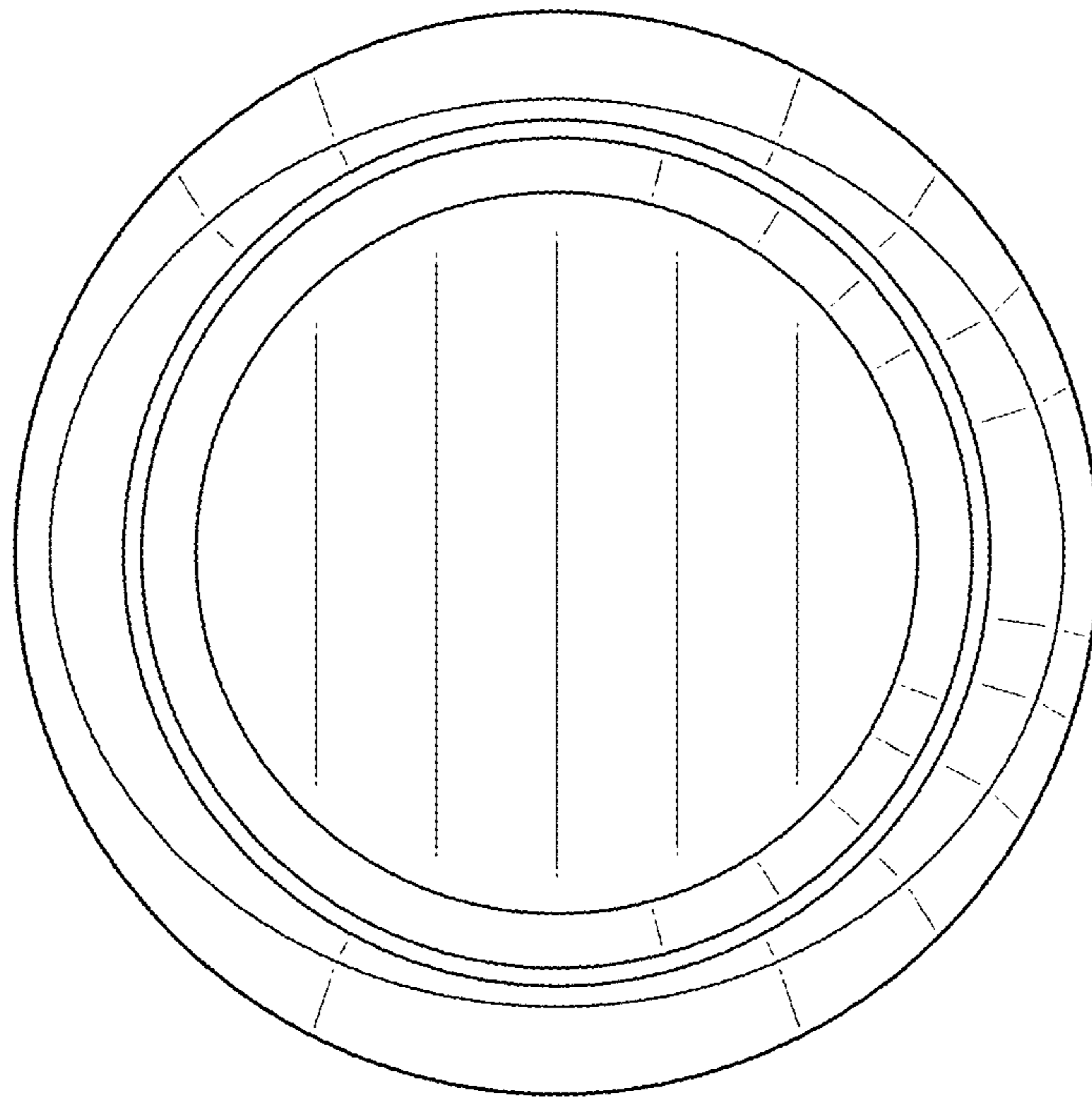


Fig. 5

