



US00D882532S

(12) **United States Design Patent** (10) **Patent No.:** **US D882,532 S**
Altonen et al. (45) **Date of Patent:** **** Apr. 28, 2020**

- (54) **CONTROL MODULE** D310,202 S 8/1990 Suck
- (71) Applicant: **Lutron Technology Company LLC,** D339,543 S 9/1993 Martin
Coopersburg, PA (US) 5,475,192 A 12/1995 Inagaki et al.
- (72) Inventors: **Gregory Altonen,** Easton, PA (US); D464,329 S 10/2002 Mainiero
Nicholas R. Baer, Emmaus, PA (US); D483,281 S * 12/2003 Cobigo D10/104.1
Jason C. Killo, Emmaus, PA (US); D533,846 S 12/2006 Burton
Noel Mayo, Philadelphia, PA (US); D562,779 S 2/2008 Lamoree et al.
Sean R. Pearson, Allentown, PA (US) 7,470,869 B2 12/2008 Lin
D613,669 S 4/2010 Collins et al.
8,494,663 B2 7/2013 Lamoree et al.
D687,366 S 8/2013 Fujino et al.
8,587,715 B2 * 11/2013 Takeda H04R 5/027
348/373
- (73) Assignee: **Lutron Technology Company LLC,** D703,496 S 4/2014 Arcati et al.
Coopersburg, PA (US) D752,224 S 3/2016 Park et al.
- (**) Term: **15 Years** (Continued)

(21) Appl. No.: **29/670,132**

Primary Examiner — Selina Sikder

(22) Filed: **Nov. 14, 2018**

(74) *Attorney, Agent, or Firm* — Saidman DesignLaw Group, LLC

Related U.S. Application Data

(63) Continuation of application No. 29/601,961, filed on Apr. 27, 2017, now Pat. No. Des. 839,846.

(51) **LOC (12) Cl.** **13-03**

(52) **U.S. Cl.**
USPC **D13/171**

(58) **Field of Classification Search**
USPC 13/162, 171, 173, 174; D10/118.2
CPC H01H 3/02; H01H 3/022; H01H 3/12;
H01H 3/122; H01H 9/02; H01H 9/0235;
H01H 13/023; H01H 13/04; H01H 13/06;
H01H 13/063; H01H 13/10; H01H 13/12;
H01H 13/14; H01H 13/36; H01H 13/64;
H01H 13/70; H01H 13/86; H01H 21/24;
H01H 25/065; H01H 23/00; A47C 7/506

See application file for complete search history.

(56) **References Cited**

U.S. PATENT DOCUMENTS

D205,357 S 7/1966 Stevenson
4,388,503 A 6/1983 Penland et al.

(57) **CLAIM**

The ornamental design for a control module, to be applied to a lighting fixture, as shown and described.

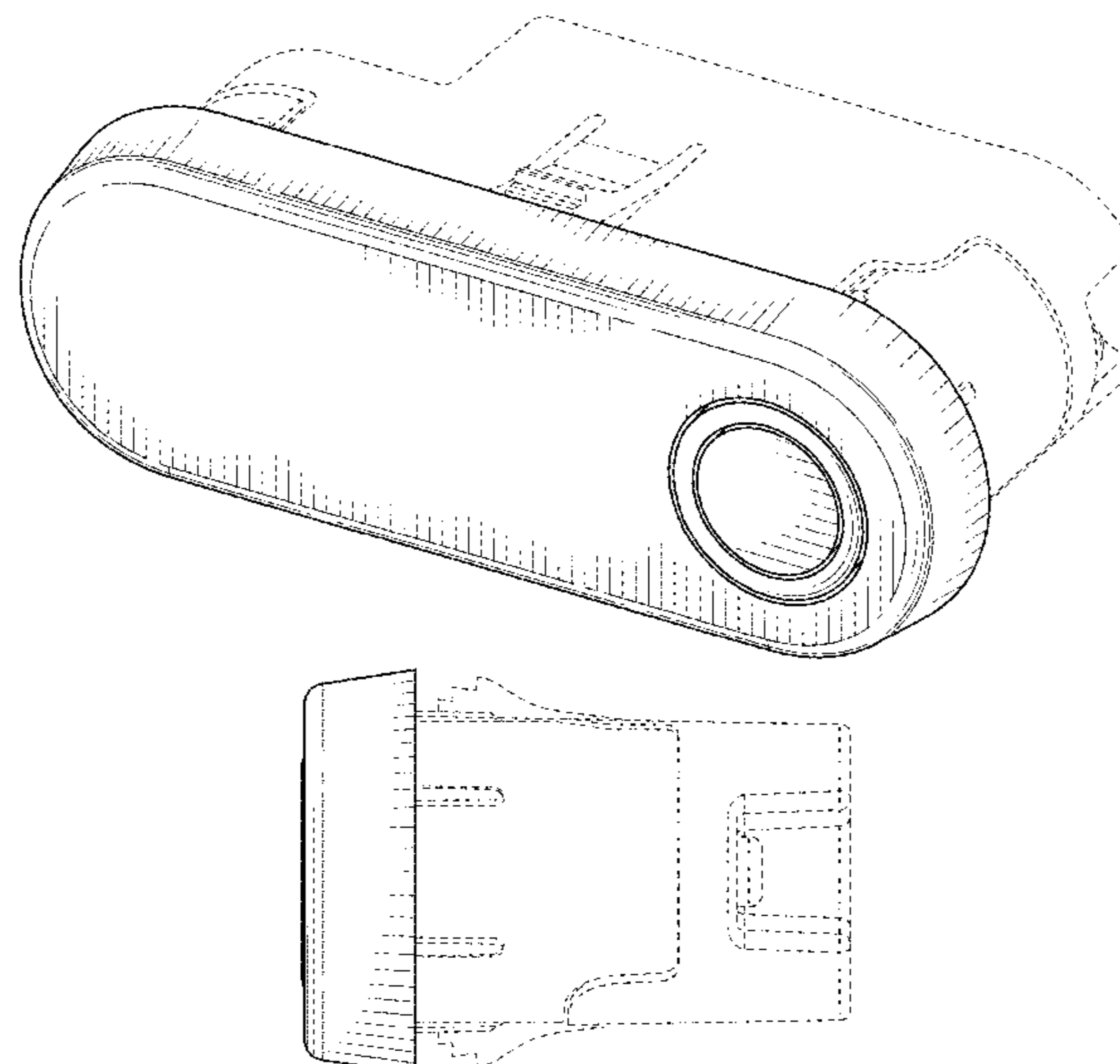
DESCRIPTION

FIG. 1 is a perspective view of a control module, to be applied to a lighting fixture, showing our new design; FIG. 2 is a front view thereof; FIG. 3 is a rear view thereof; FIG. 4 is a left side view thereof; FIG. 5 is a right side view thereof; FIG. 6 is a top view thereof; and, FIG. 7 is a bottom view thereof.

The broken lines illustrate structure or features which form no part of the claimed design.

The drawings include surface shading which represents contour and not surface ornamentation.

1 Claim, 3 Drawing Sheets



(56)

References Cited

U.S. PATENT DOCUMENTS

D755,605 S * 5/2016 Kraus D8/331
D777,687 S 1/2017 Seidl et al.
9,561,853 B2 2/2017 Fujino et al.
D789,366 S * 6/2017 Jentz D14/218
D795,109 S * 8/2017 Olodort D10/104.1
D800,201 S * 10/2017 Song D16/202
D828,201 S * 9/2018 Jeong D10/118.2
D830,872 S * 10/2018 Jacob D10/118.2
D839,846 S * 2/2019 Altonen D13/171
D848,891 S * 5/2019 Paredes D10/118.2
D850,315 S * 6/2019 Laurans D10/118.2
10,319,213 B1 * 6/2019 Conner G08B 25/004
D853,264 S * 7/2019 Laurans D10/118.2
D860,848 S * 9/2019 Park D10/118.2
2010/0270138 A1 10/2010 Yamanaka
2010/0300859 A1 12/2010 Prest et al.
2016/0314915 A1 10/2016 Chen et al.
2017/0178833 A1 6/2017 Mizuno et al.

* cited by examiner

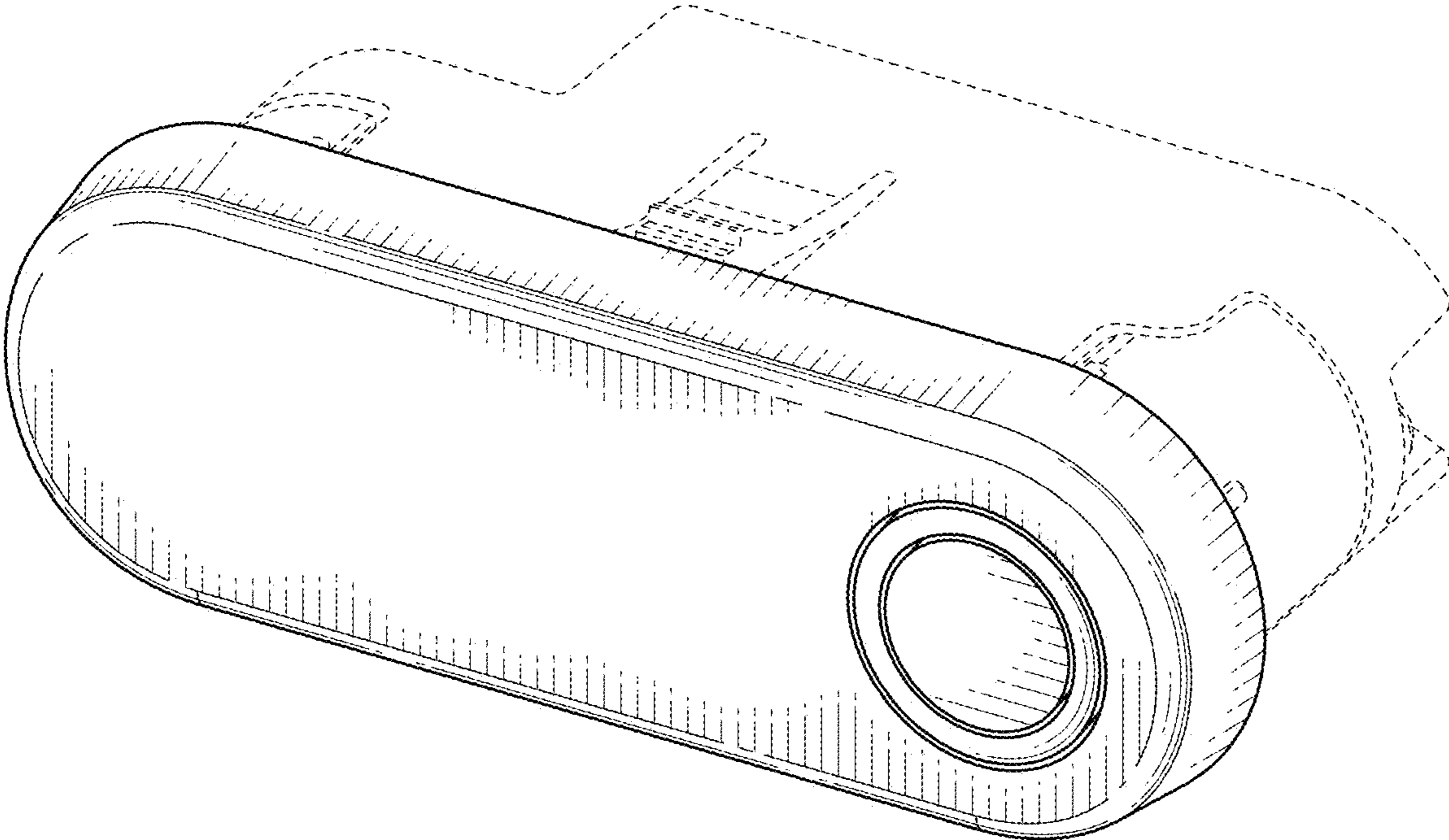


FIG. 1

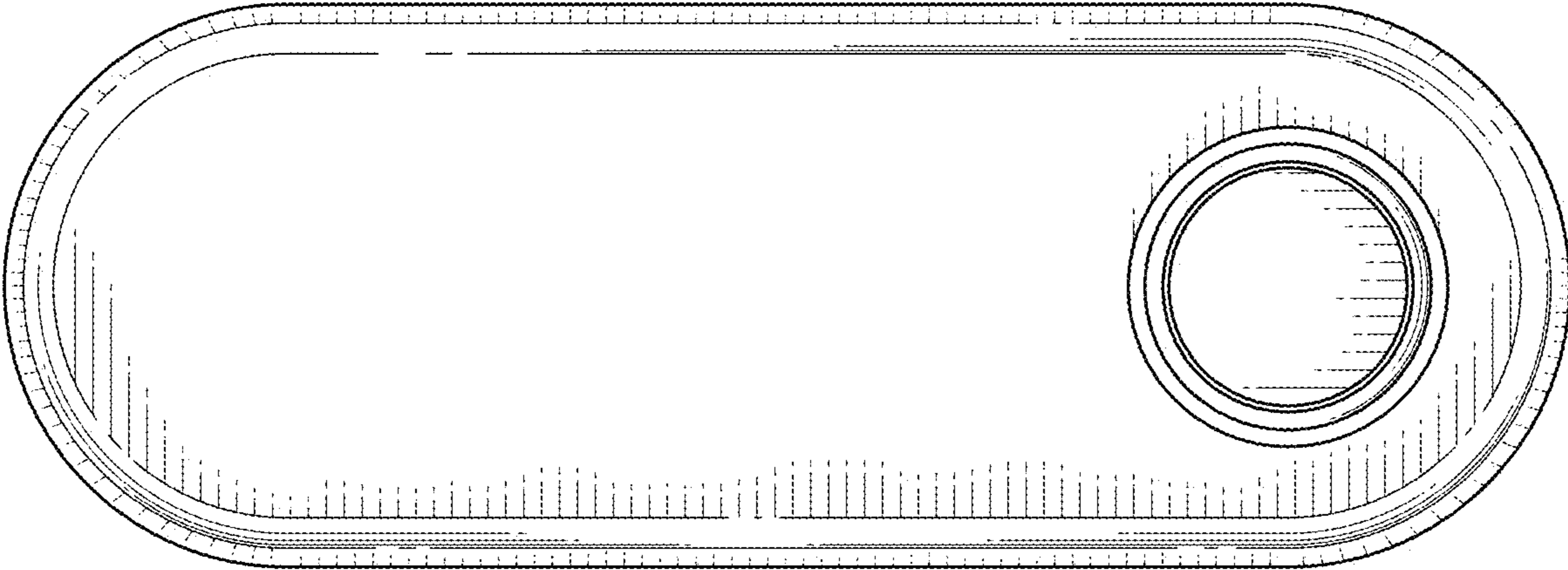


FIG. 2

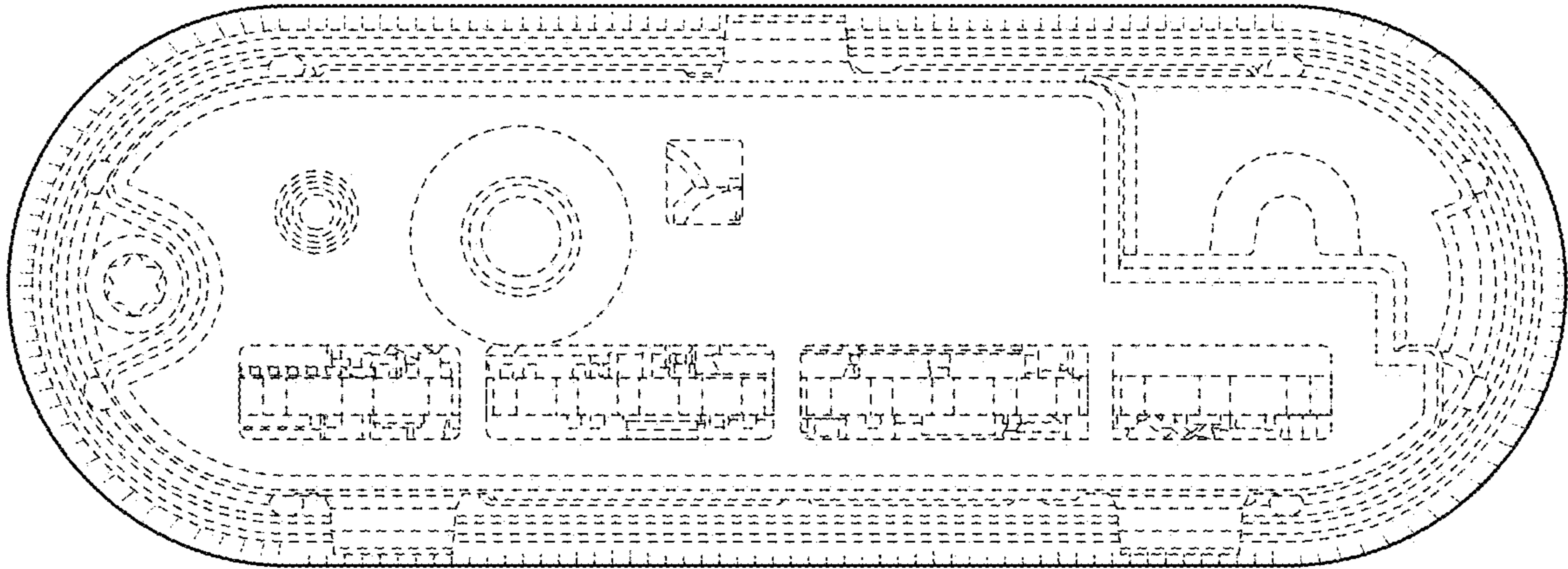


FIG. 3

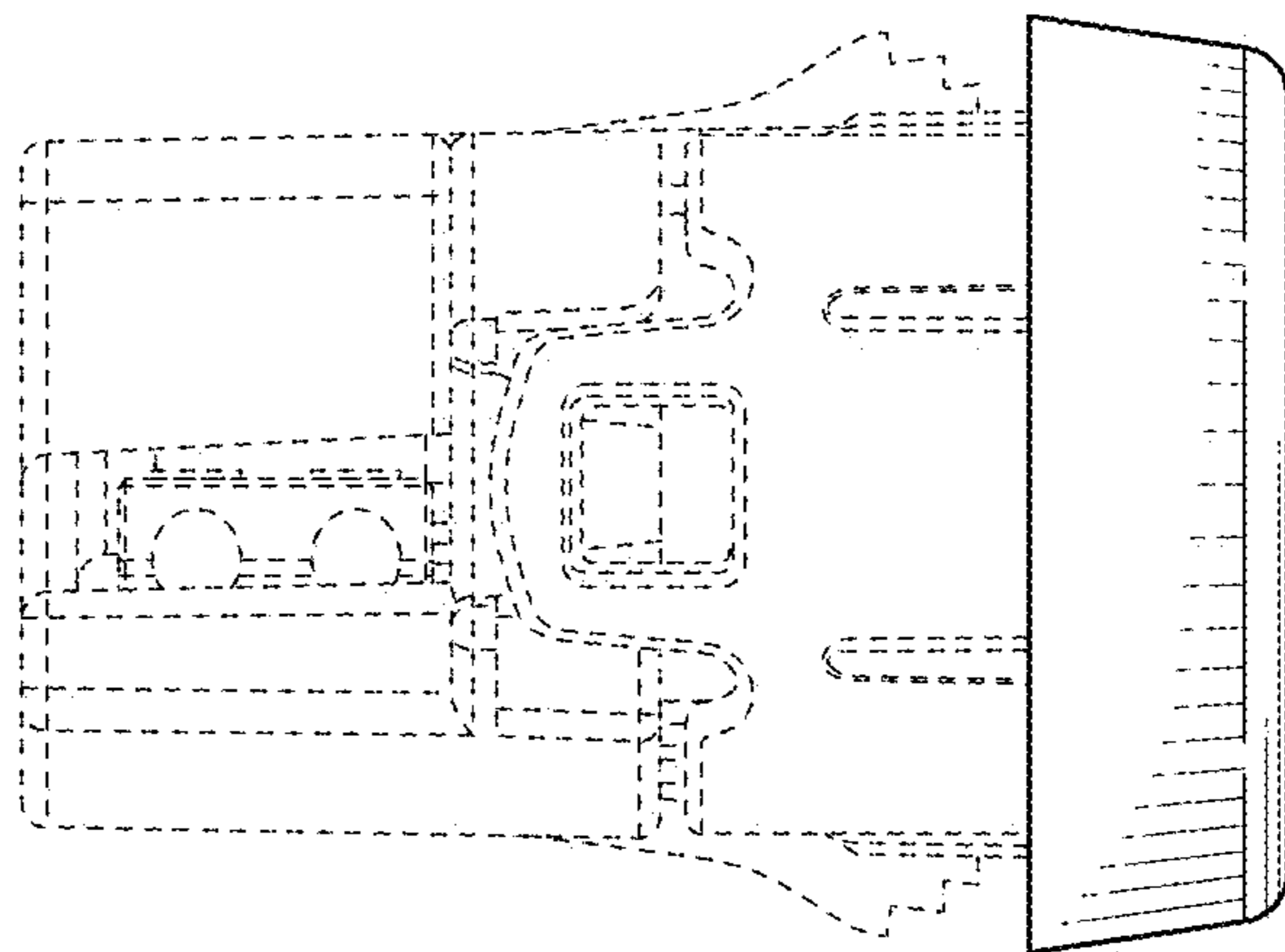


FIG. 4

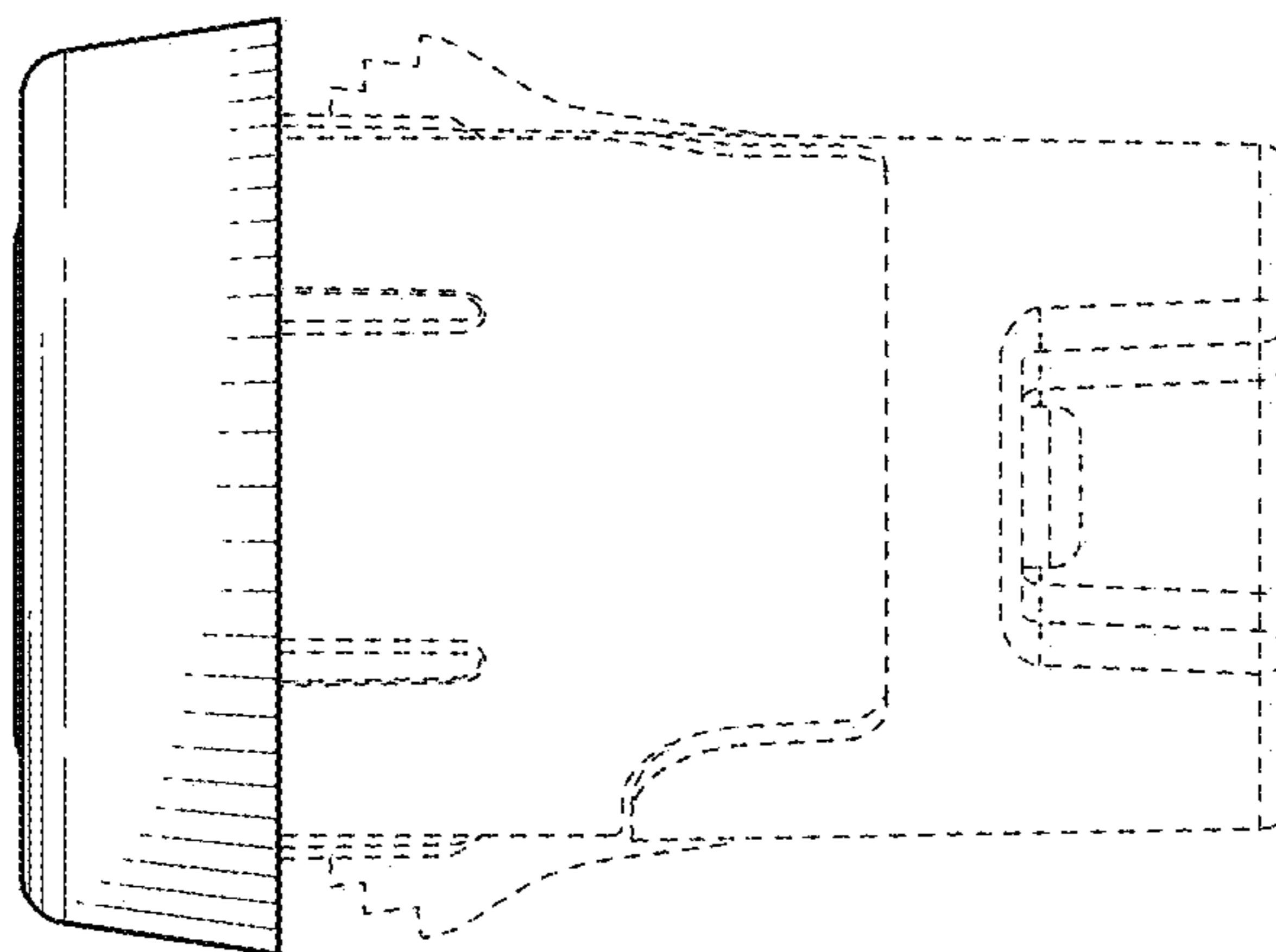


FIG. 5

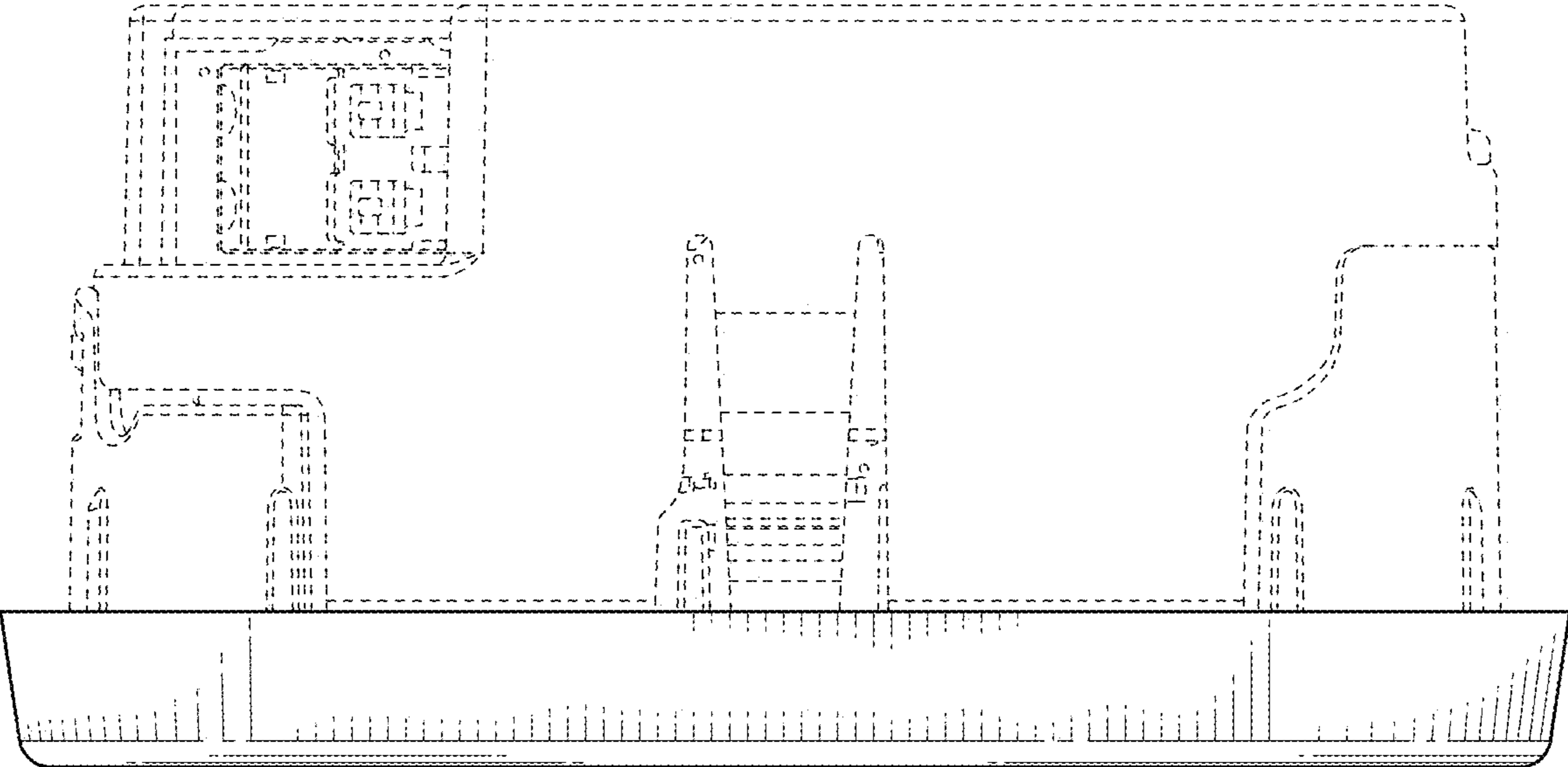


FIG. 6

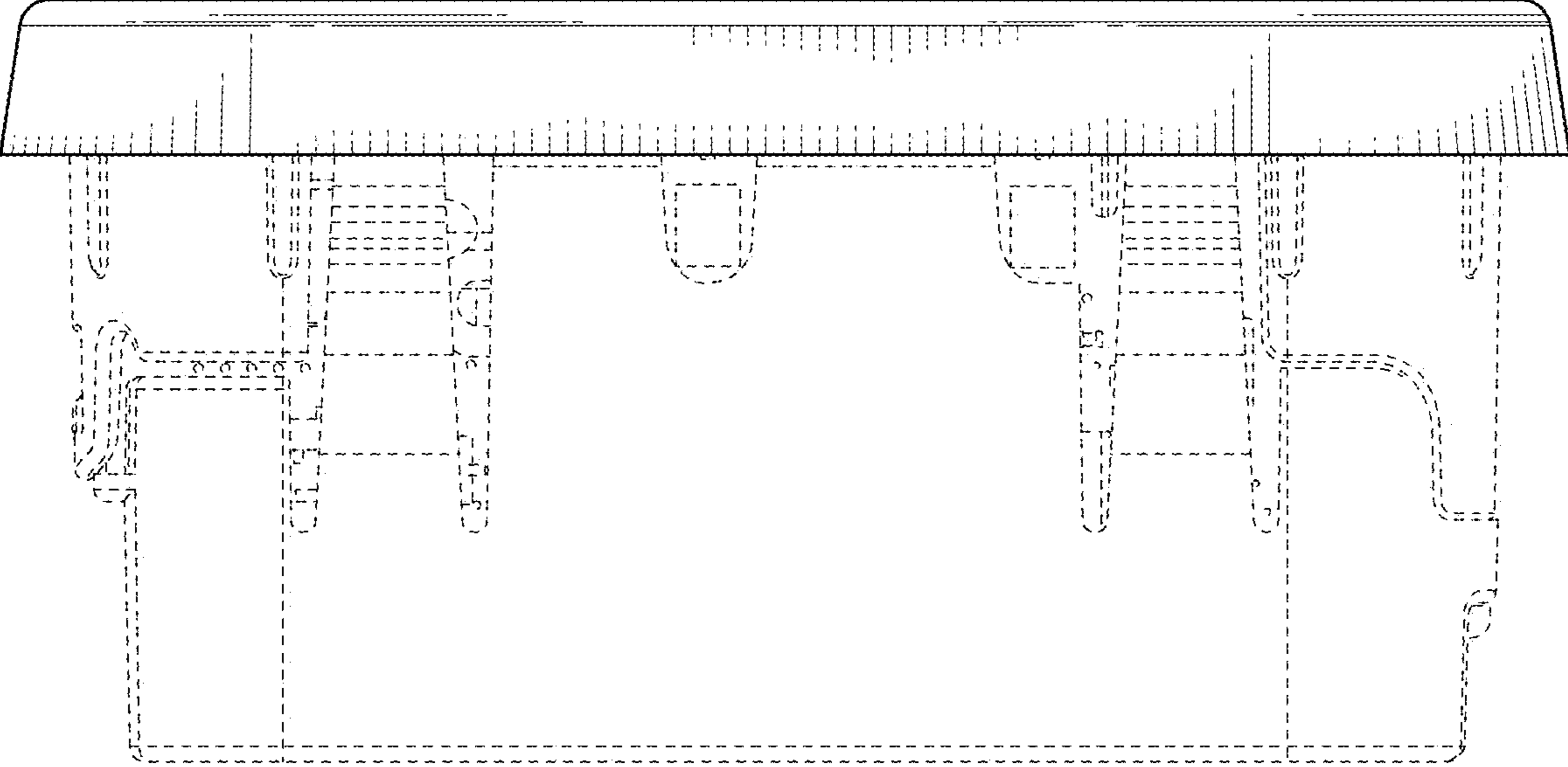


FIG. 7