



US00D882528S

(12) **United States Design Patent**  
**Fariello**

(10) **Patent No.:** **US D882,528 S**

(45) **Date of Patent:** **\*\* \*Apr. 28, 2020**

(54) **DISPLAY FOR A RACK-MOUNTED  
CONTROLLER UNIT**

(71) Applicant: **CommScope Technologies LLC**,  
Hickory, NC (US)

(72) Inventor: **Patrick Lee Fariello**, Murphy, TX (US)

(73) Assignee: **CommScope Technologies LLC**,  
Hickory, NC (US)

(\*) Notice: This patent is subject to a terminal disclaimer.

(\*\*) Term: **15 Years**

(21) Appl. No.: **29/606,512**

(22) Filed: **Jun. 5, 2017**

(51) **LOC (12) Cl.** ..... **13-03**

(52) **U.S. Cl.**  
USPC ..... **D13/162**

(58) **Field of Classification Search**  
USPC ..... D13/162, 168; D10/49, 50, 65, 104.1,  
D10/106.1; D14/313, 336, 341, 371, 375,  
D14/388, 443, 455  
CPC .... H01H 9/02; G05B 19/0426; G05B 19/048;  
G05B 19/409; G05B 15/02; G06F  
1/1601; G06F 3/041; G06F 3/044; G06F  
3/0482; G06F 3/0488; G06F 3/0489;  
G05D 23/1902; G05D 23/1905; G05D  
23/1931; G02F 1/33308; H05B 37/02;  
H05K 5/02; H05K 5/0247; H05K 5/03

See application file for complete search history.

(56) **References Cited**

**U.S. PATENT DOCUMENTS**

D334,176 S \* 3/1993 Steinbugler ..... D14/313  
D532,791 S \* 11/2006 Kim ..... D14/203.7  
D563,805 S \* 3/2008 Miyazato ..... D10/65  
D568,257 S \* 5/2008 Tatsuyama ..... D13/162

D582,917 S \* 12/2008 Wada ..... D14/371  
D584,738 S \* 1/2009 Kim ..... D14/496  
D595,712 S \* 7/2009 Guery ..... D14/341  
7,567,212 B2 \* 7/2009 Inoue ..... H01Q 1/08  
343/702  
D602,487 S \* 10/2009 Maskatia ..... D14/341

(Continued)

**OTHER PUBLICATIONS**

“Systemax 360 iPatch System Panel Manager Instructions”, SYSTIMAX Solutions, Mar. 2014, pp. 1-8, Issue 4, CommScope.

(Continued)

*Primary Examiner* — Selina Sikder

(74) *Attorney, Agent, or Firm* — Fogg & Powers LLC

(57) **CLAIM**

The ornamental design of a display for a rack-mounted controller unit, as shown and described herein.

**DESCRIPTION**

FIG. 1 is a perspective view of a display for a rack-mounted controller unit.

FIG. 2 is another perspective view of a display for a rack-mounted controller unit.

FIG. 3 is a front view of the display for a rack-mounted controller unit of FIG. 1.

FIG. 4 is a left side view of the display for a rack-mounted controller unit of FIG. 1.

FIG. 5 is a right side view of the display for a rack-mounted controller unit of FIG. 1.

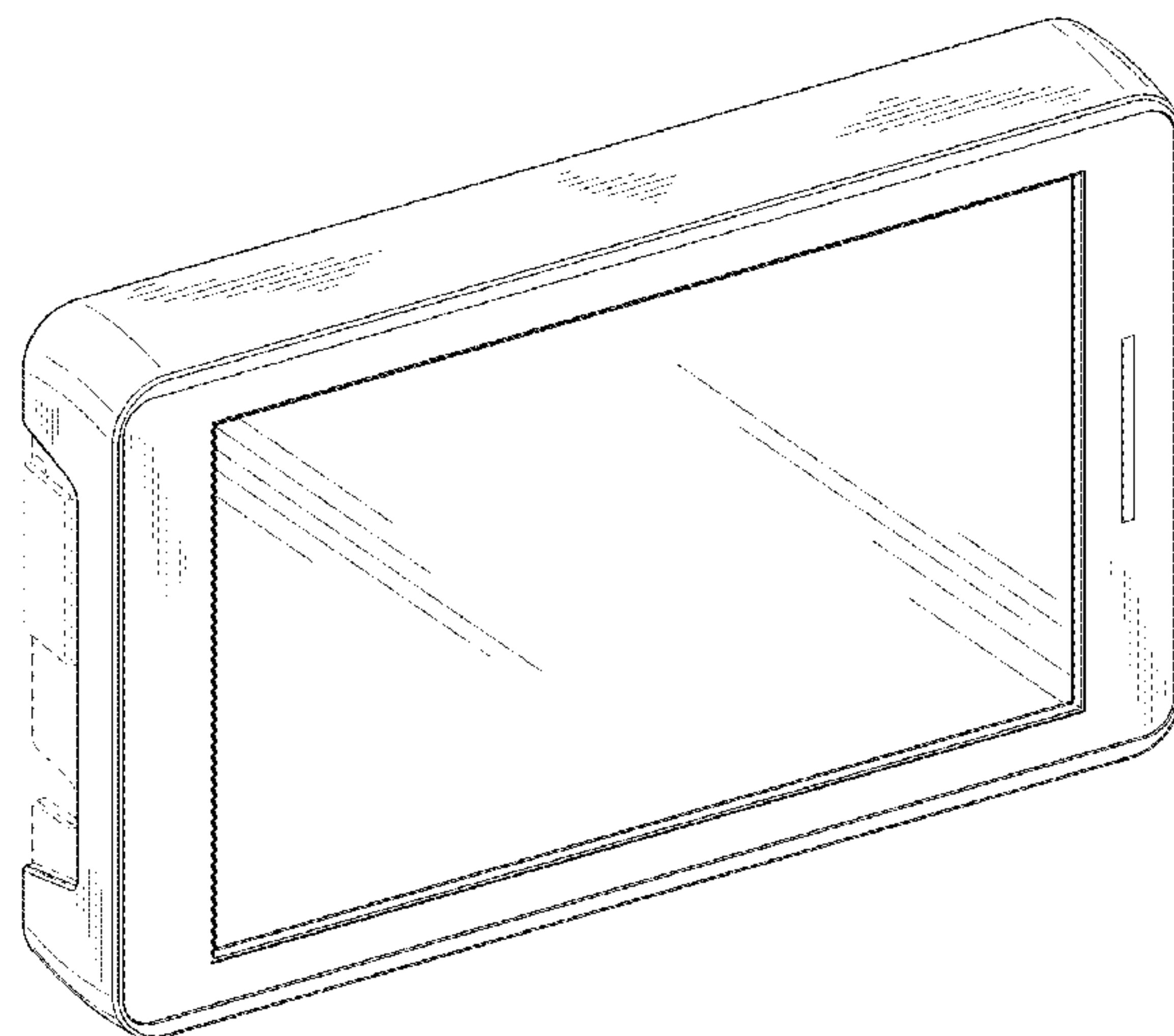
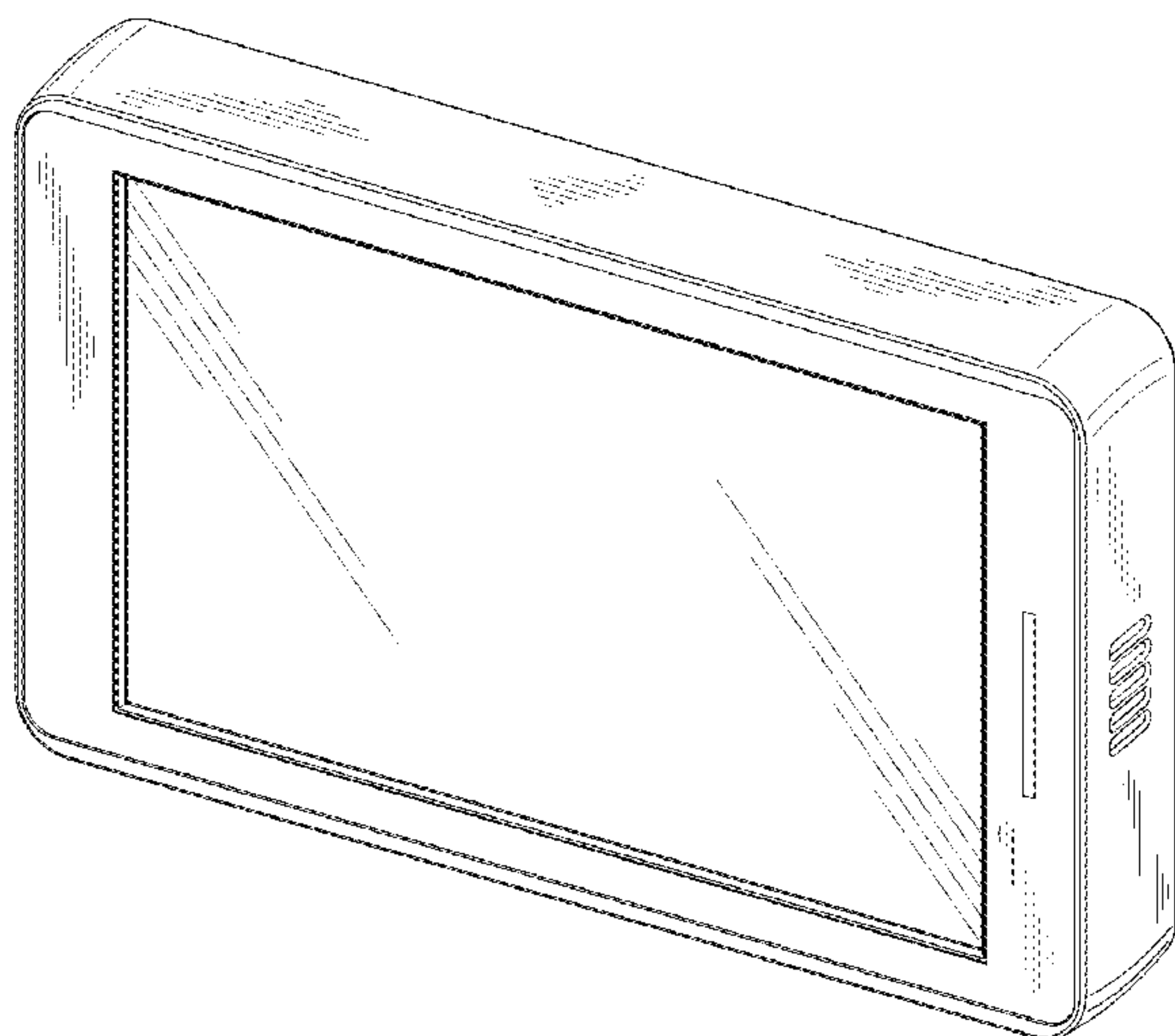
FIG. 6 is a top view of the display for a rack-mounted controller unit of FIG. 1.

FIG. 7 is a bottom view of the display for a rack-mounted controller unit of FIG. 1; and,

FIG. 8 is a rear view of the display for a rack-mounted controller unit of FIG. 1.

The broken lines in the Figures are for illustrative purposes only and form no part of the claimed design.

**1 Claim, 8 Drawing Sheets**



(56)

**References Cited**

U.S. PATENT DOCUMENTS

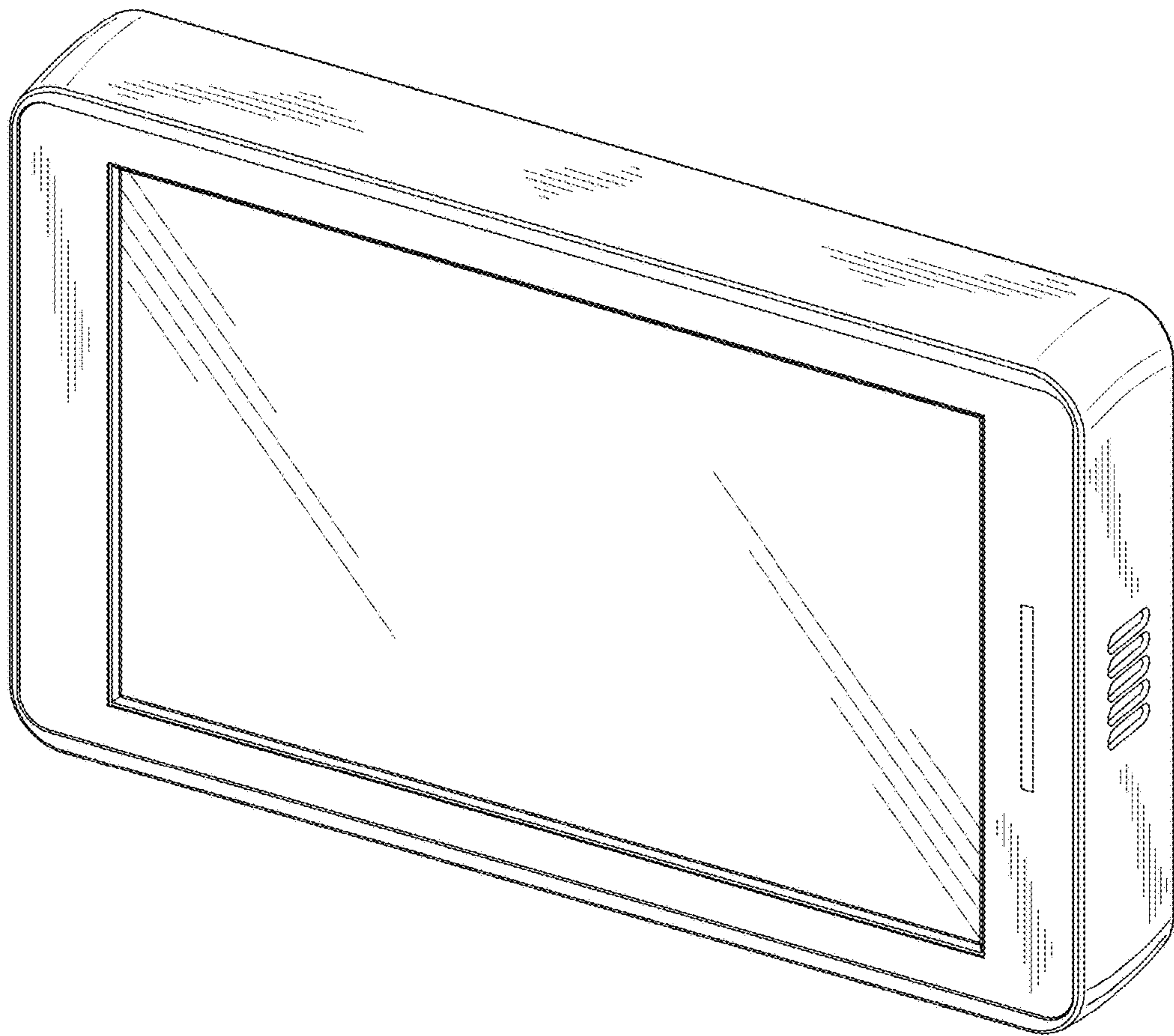
D628,913 S \* 12/2010 Cheng ..... D10/65  
 D636,391 S \* 4/2011 Shen ..... D14/341  
 D640,150 S \* 6/2011 Hansen ..... D10/65  
 8,149,222 B2 \* 4/2012 Hsieh ..... G06F 3/041  
 345/173  
 D662,094 S \* 6/2012 Mack ..... D14/336  
 D684,872 S \* 6/2013 Bias ..... D10/49  
 D694,195 S \* 11/2013 Gammon ..... D13/162  
 D694,211 S \* 11/2013 Yuu ..... D14/138 G  
 D703,665 S \* 4/2014 Suzuki ..... D14/341  
 D721,075 S \* 1/2015 Toda ..... D14/342  
 D727,857 S \* 4/2015 Acera ..... D13/162  
 D729,793 S \* 5/2015 Hickok ..... D14/126  
 D734,748 S \* 7/2015 Chen ..... D14/341  
 D738,830 S \* 9/2015 Suthmann ..... D13/162  
 D743,392 S \* 11/2015 Ju ..... D14/341  
 D746,278 S \* 12/2015 Chen ..... D14/341  
 D767,564 S \* 9/2016 Li ..... D14/341  
 D772,864 S \* 11/2016 Musch ..... D14/341  
 2013/0161489 A1 \* 6/2013 Gardner, Jr. .... G09G 3/3406  
 250/208.1

2013/0279142 A1\* 10/2013 Wang ..... H05K 7/02  
 361/809  
 2014/0043256 A1\* 2/2014 Wu ..... H01H 9/02  
 345/173  
 2014/0300567 A1\* 10/2014 Inata ..... G06F 3/0488  
 345/173  
 2015/0062087 A1\* 3/2015 Cho ..... G02F 1/13338  
 345/175  
 2016/0324026 A1\* 11/2016 Kang ..... A45C 5/02

OTHER PUBLICATIONS

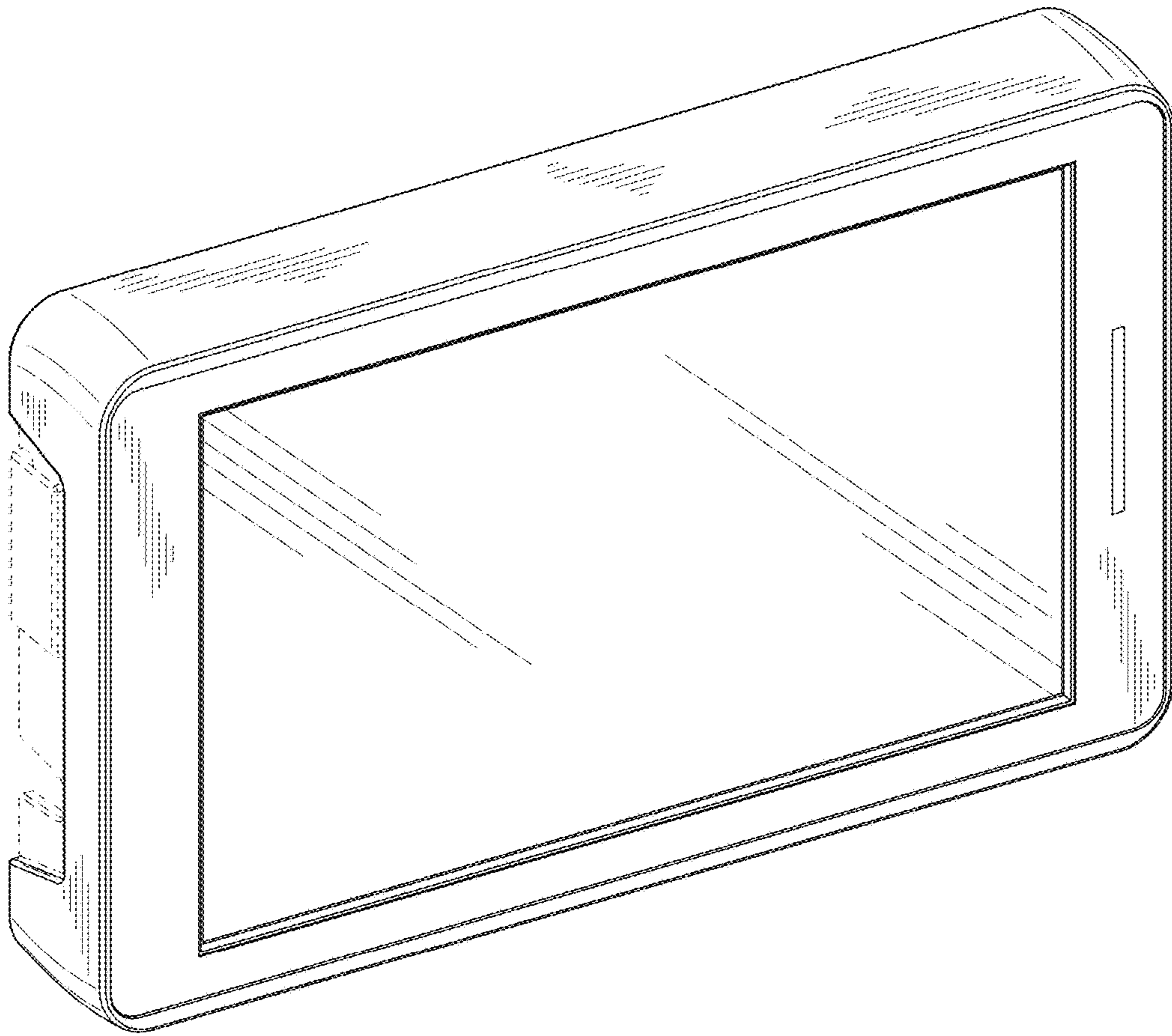
“Systimax imVision Controller Installation Instructions”, SYSTIMAX Solutions, Jan. 2014, pp. 1-6, Issue 4, CommScope.  
 “Systimax imVision Controller User Guide”, Aug. 2016, pp. 1-15, Issue 3, CommScope.  
 “Systimax iPatch Panel Manager—Limited Availability”, SYSTIMAX, Jul. 3, 2015, pp. 1-2, CommScope.  
 “The SYSTIMAX iPatch System, Panel Manager Guide”, SYSTIMAX Solutions, Jun. 2009, pp. 1-87, CommScope.

\* cited by examiner

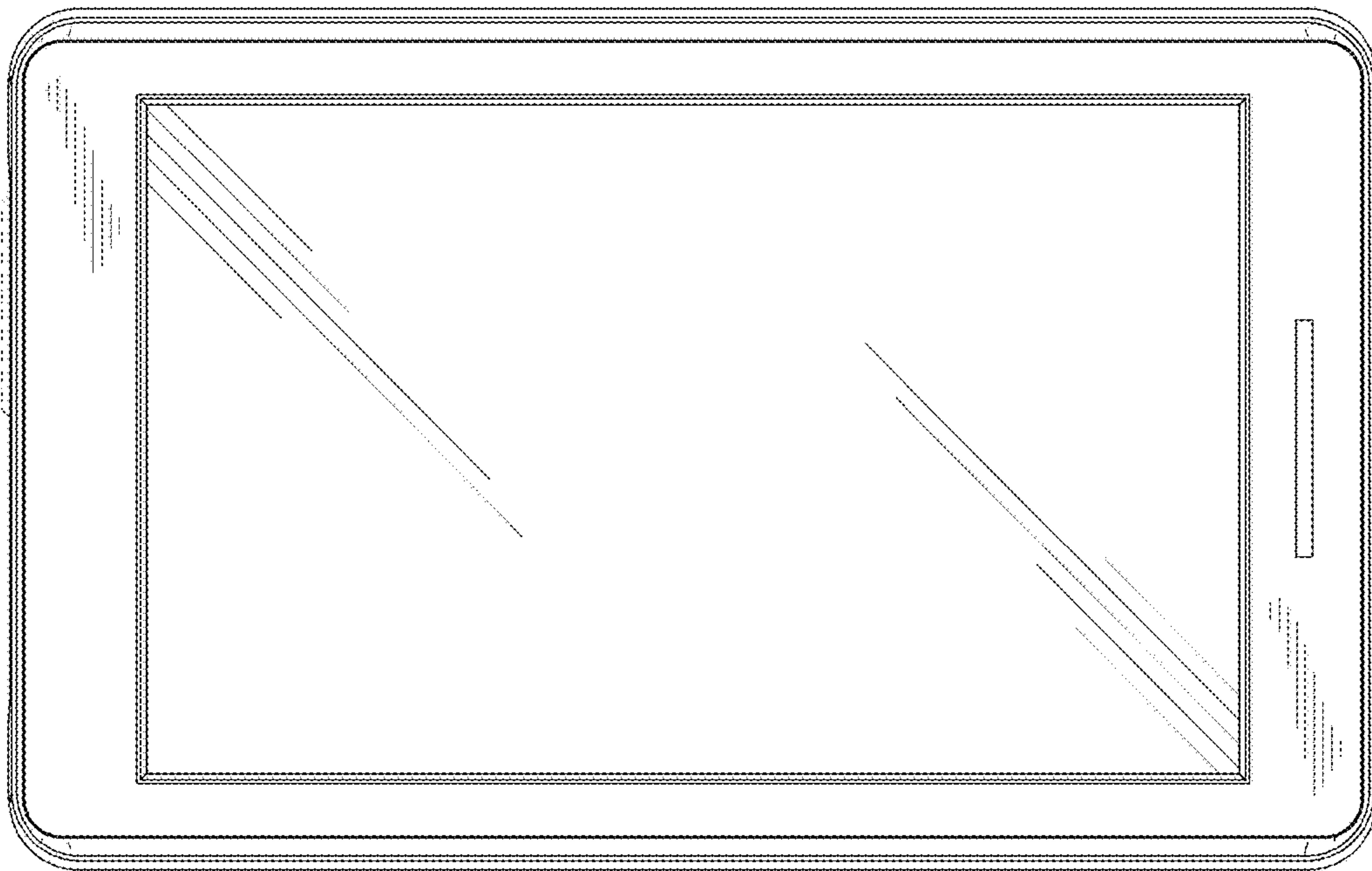


**FIG. 1**

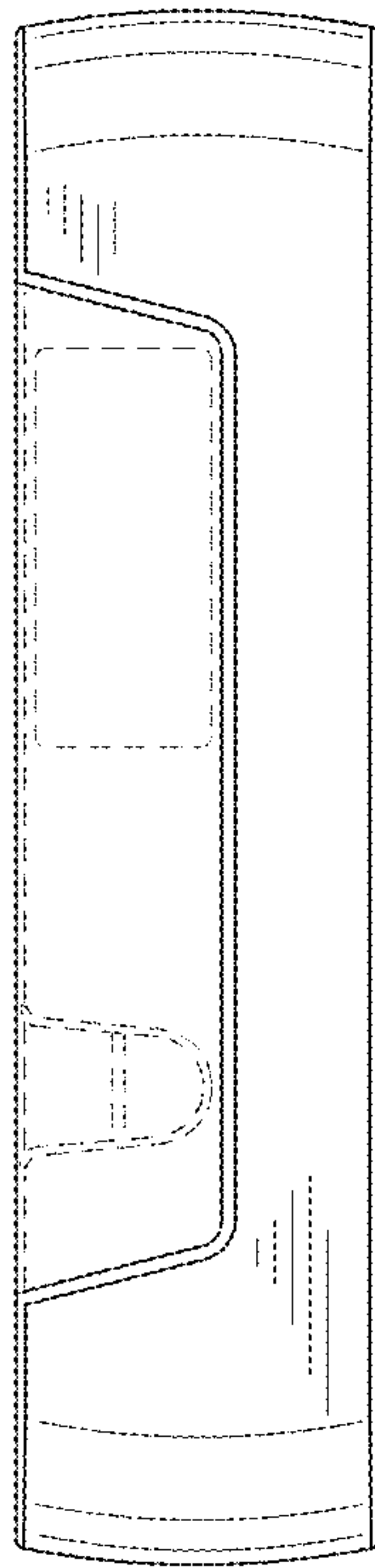




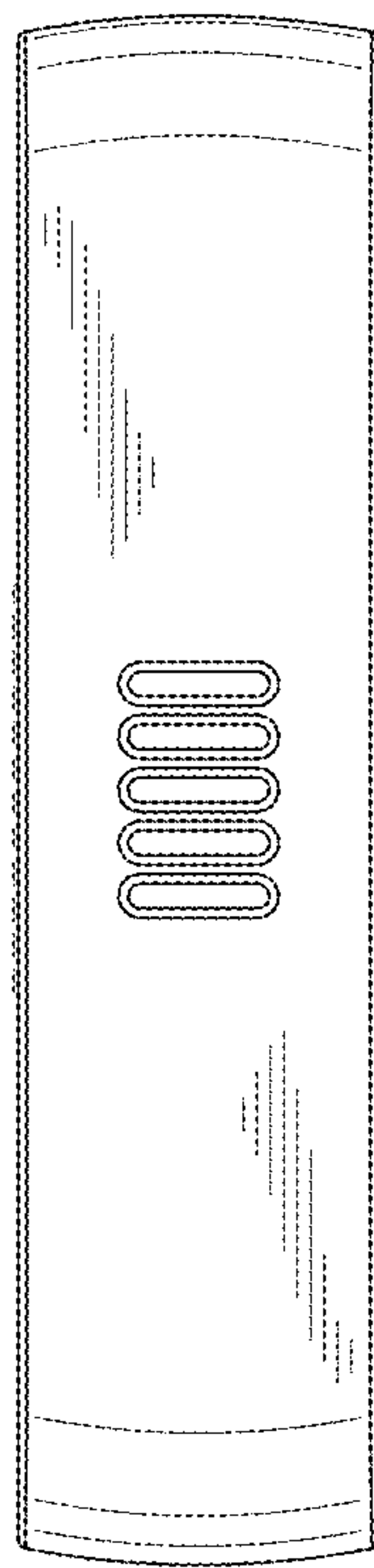
**FIG. 2**



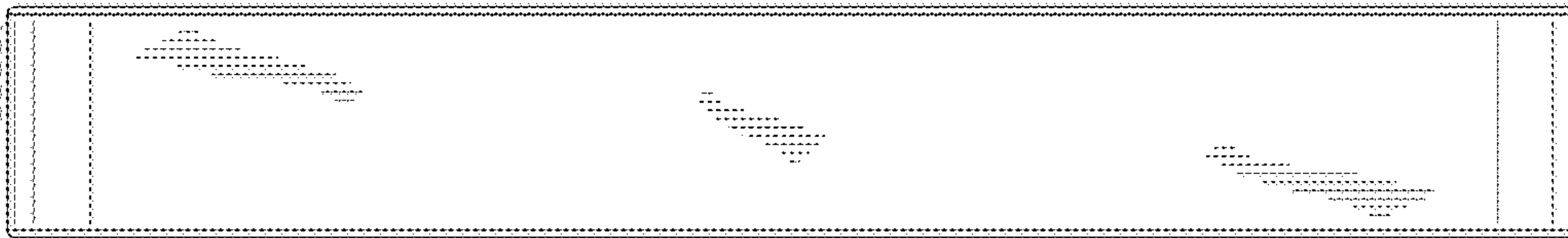
**FIG. 3**



**FIG. 4**

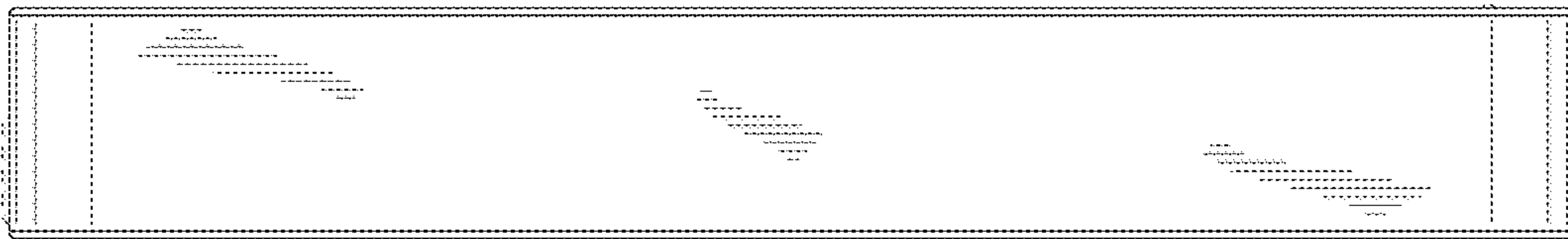


**FIG. 5**

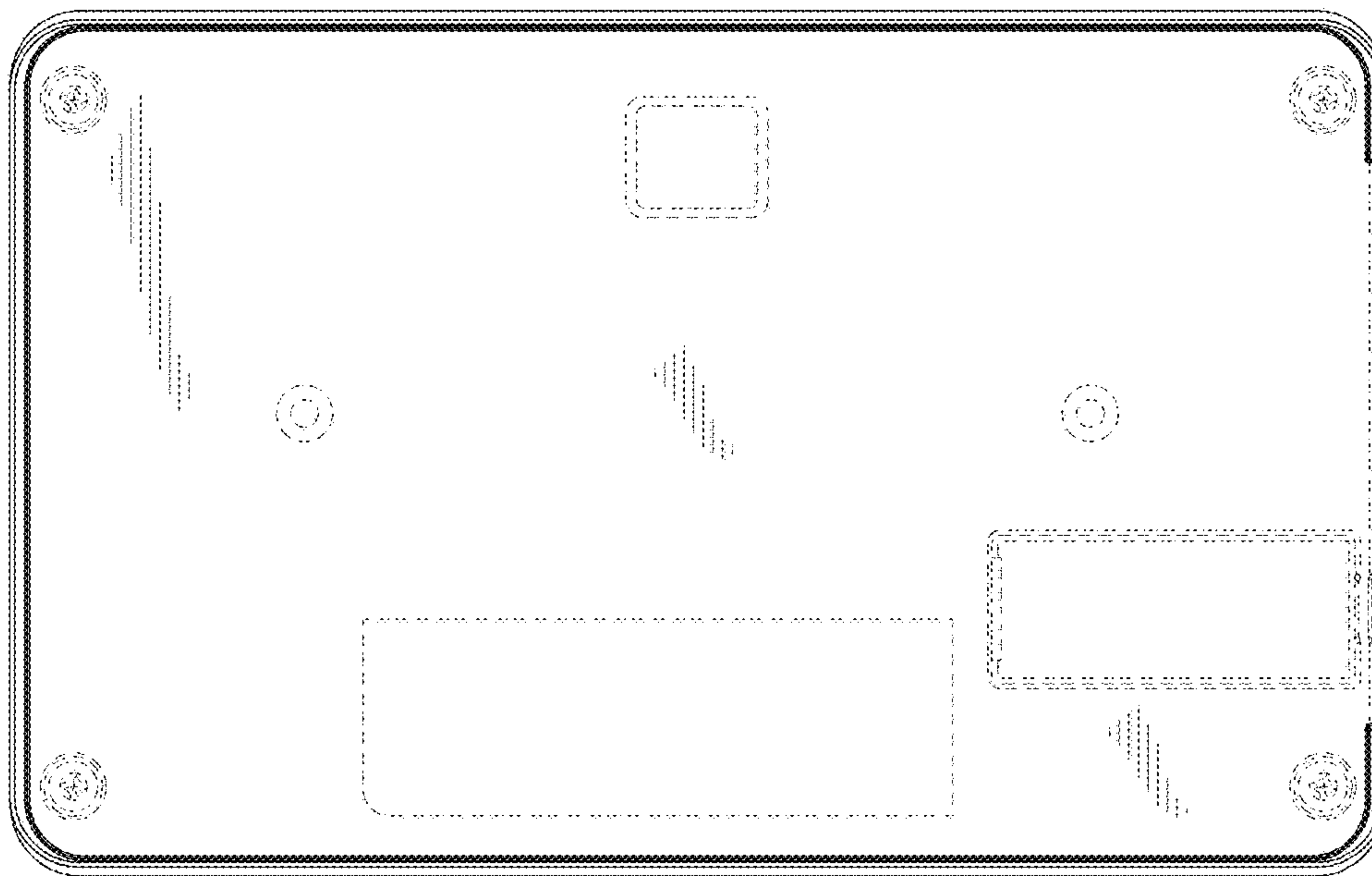


**FIG. 6**





**FIG. 7**



**FIG. 8**