



US00D882525S

(12) **United States Design Patent**
Bhagynathan Sathianathan et al.

(10) **Patent No.:** **US D882,525 S**
(45) **Date of Patent:** **** Apr. 28, 2020**

(54) **CONNECTOR TERMINAL**

(71) Applicant: **Molex, LLC**, Lisle, IL (US)

(72) Inventors: **Dwaraganathan Bhagynathan Sathianathan**, Lisle, IL (US); **Yves Lepottier**, Lisle, IL (US)

(73) Assignee: **Molex, LLC**, Lisle, IL (US)

(**) Term: **15 Years**

(21) Appl. No.: **29/635,361**

(22) Filed: **Jan. 30, 2018**

(51) **LOC (12) Cl.** **13-03**

(52) **U.S. Cl.**
USPC **D13/154**

(58) **Field of Classification Search**
USPC D13/154
CPC H01R 4/10; H01R 4/184; H01R 4/70
See application file for complete search history.

(56) **References Cited**

U.S. PATENT DOCUMENTS

3,363,224	A	1/1968	Gluntz et al.	
5,338,229	A *	8/1994	Egenolf	H01R 13/18 439/839
5,666,723	A *	9/1997	Ohtaka	H01R 13/113 29/874
5,993,268	A *	11/1999	Yamaguchi	H01R 13/432 439/746
6,860,768	B2 *	3/2005	Zhao	H01R 11/22 439/843
D553,080	S	10/2007	Sakamaki et al.	
D556,136	S	11/2007	Shiga et al.	
7,594,832	B2	9/2009	Oka et al.	
D621,368	S	8/2010	Lee et al.	

(Continued)

FOREIGN PATENT DOCUMENTS

TW D168324 6/2015
TW D174088 3/2016

(Continued)

OTHER PUBLICATIONS

Molex LLC, MQS Interconnection for the Automotive Industry, Catalogue, 2012, p. 1, 25-44, 324, TE Connectivity, Germany.
(Continued)

Primary Examiner — Michael A. Pratt

(74) *Attorney, Agent, or Firm* — Banner & Witcoff, Ltd.

(57) **CLAIM**

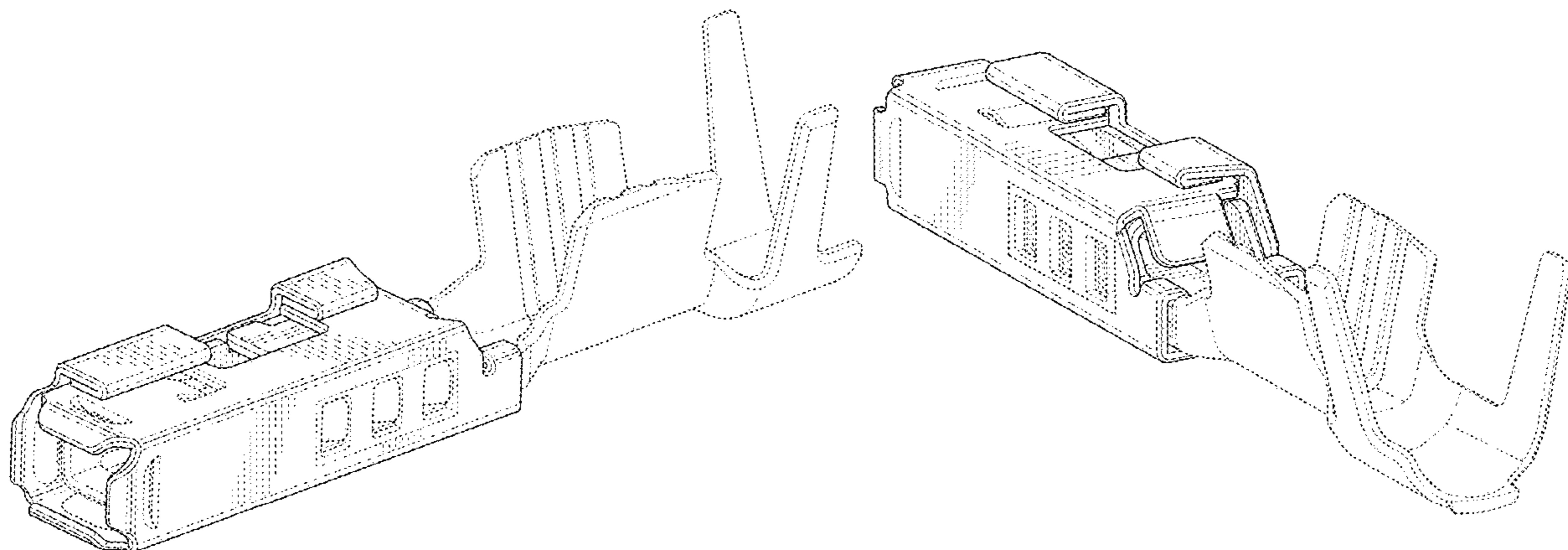
The ornamental design for a connector terminal, as shown and described.

DESCRIPTION

FIG. 1 is a front perspective view of a connector terminal showing our new design;
FIG. 2 is a right side view thereof;
FIG. 3 is a left side view thereof;
FIG. 4 is a front view thereof;
FIG. 5 is a rear view thereof;
FIG. 6 is a top view thereof;
FIG. 7 is a bottom view thereof;
FIG. 8 is a rear perspective view thereof;
FIG. 9 is a front perspective view of an alternate embodiment of the connector terminal showing our new design;
FIG. 10 is a right side view thereof;
FIG. 11 is a left side view thereof;
FIG. 12 is a front view thereof;
FIG. 13 is a rear view thereof;
FIG. 14 is a top view thereof;
FIG. 15 is a bottom view thereof; and,
FIG. 16 is a rear perspective view thereof.

The broken lines showing the remainder of the connector terminal are for environmental purposes only and form no part of the claimed design.

1 Claim, 16 Drawing Sheets



(56)

References Cited

U.S. PATENT DOCUMENTS

7,976,351 B2 7/2011 Boemmel et al.
 7,976,353 B2 7/2011 Myer et al.
 8,974,258 B2* 3/2015 Mitose H01R 4/184
 439/877
 9,378,867 B2* 6/2016 Itou H01R 4/70
 D762,587 S * 8/2016 Ebisawa D13/154
 D781,239 S * 3/2017 Ikeda D13/154
 9,705,229 B2* 7/2017 Itou H01R 4/184
 D827,576 S 9/2018 Sugizaki
 D839,212 S * 1/2019 Stolze D13/154
 D847,759 S * 5/2019 Bhagyanathan Sathianathan
 D13/154
 D847,760 S * 5/2019 Bhagyanathan Sathianathan
 D13/154
 D847,761 S * 5/2019 Bhagyanathan Sathianathan
 D13/154
 D853,332 S * 7/2019 Chen D13/133
 D855,574 S * 8/2019 Bhagyanathan Sathianathan
 D13/154
 10,389,069 B2* 8/2019 Yamauchi H01R 13/432

D870,051 S * 12/2019 Endo D13/154
 D870,675 S * 12/2019 Hayashi D13/154
 2016/0344115 A1 11/2016 Miyakawa et al.
 2017/0040728 A1 2/2017 Saito et al.

FOREIGN PATENT DOCUMENTS

TW D180905 1/2017
 TW D187637 1/2018

OTHER PUBLICATIONS

Molex LLC, MCON Tab and Receptacle Contacts, Catalogue, 2016, p. 1-13, 15-38, TE Automotive.
 Molex LLC, MCON Interconnection System MCON 0.50mm Contact System, Catalogue, 2014, p. 2, TE Automotive.
 Molex LLC, MCON Interconnection System MCON 9.5mm Contact System, Catalogue, 2014, p. 12, TE Automotive.
 Molex LLC, MCON Interconnection System MCON 8mm Contact System, Catalogue, 2014, p. 11, TE Automotive.

* cited by examiner

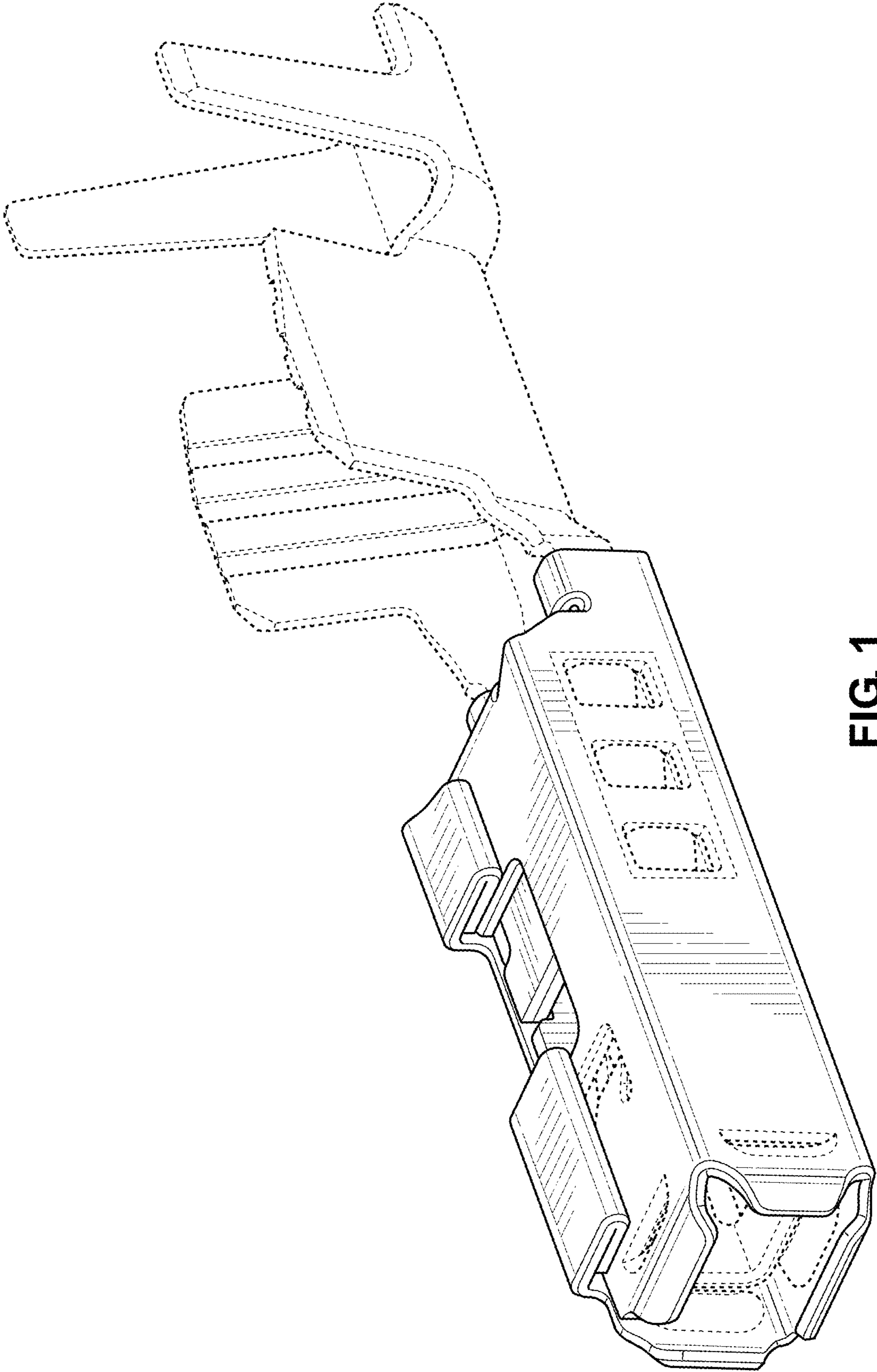


FIG. 1

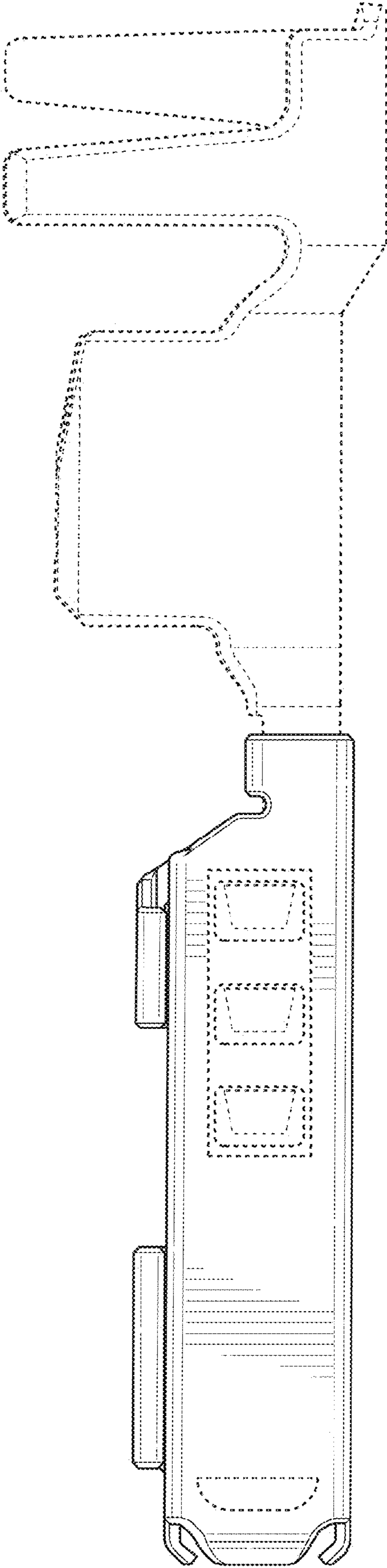


FIG. 2

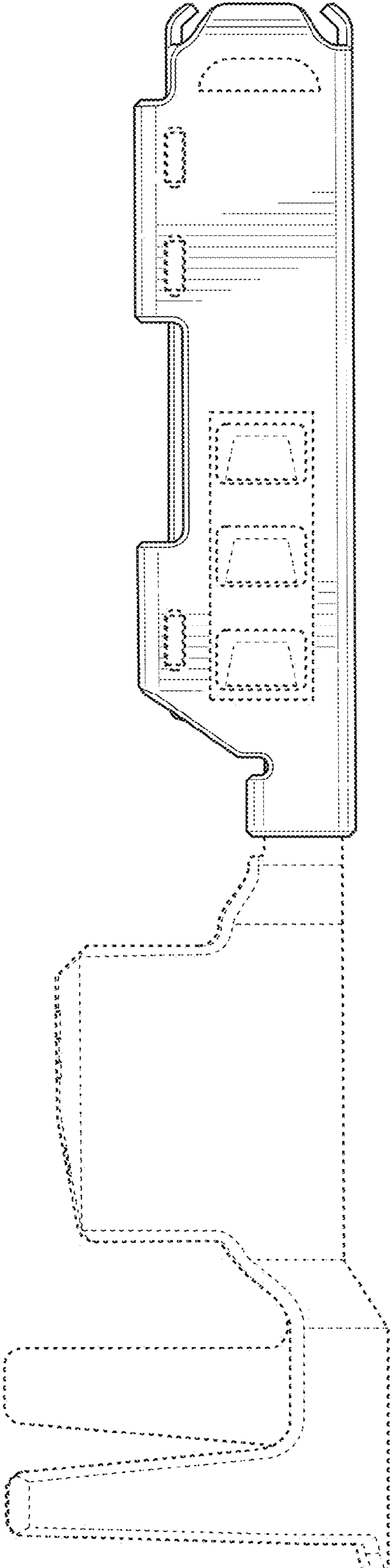


FIG. 3

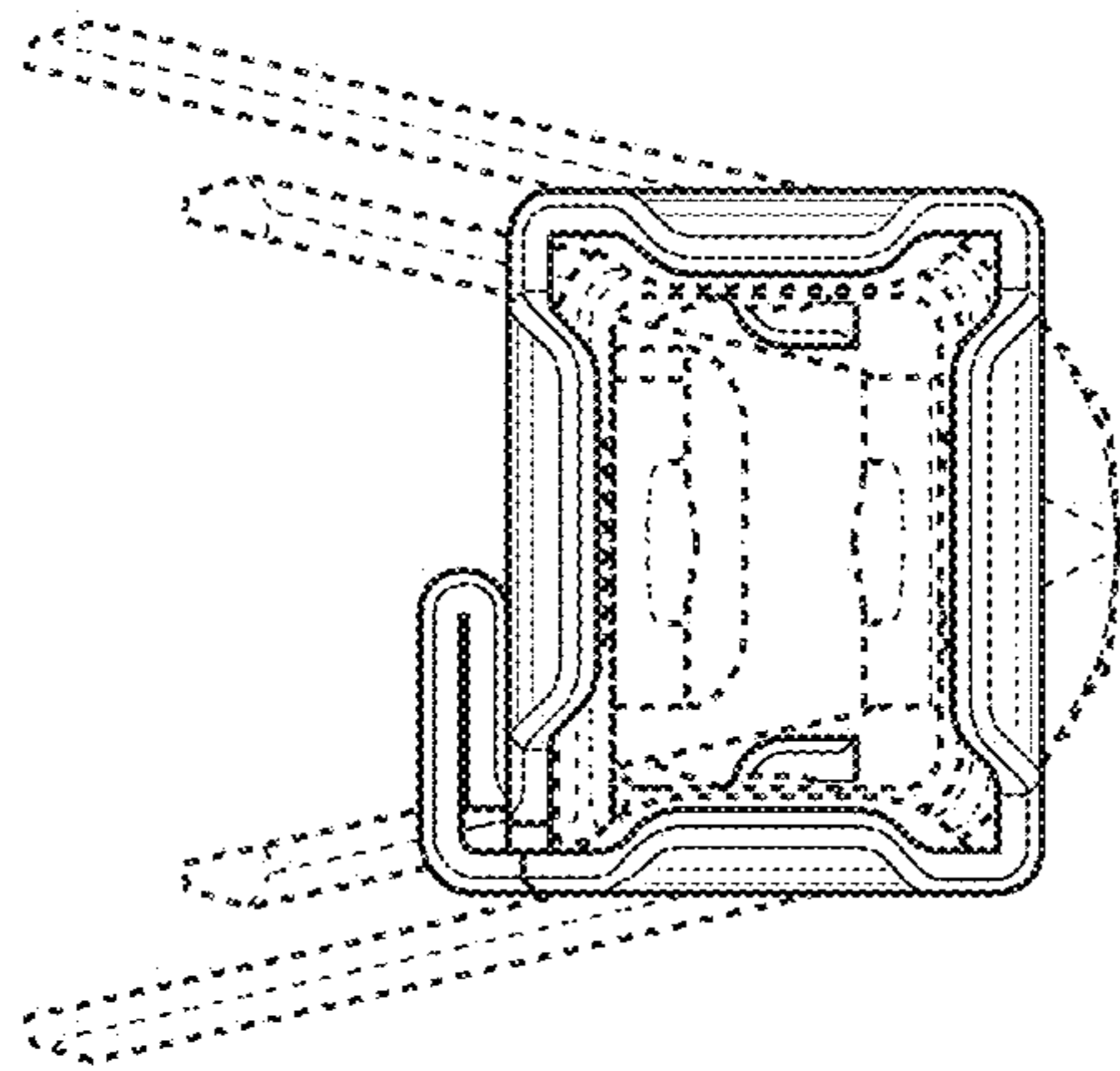


FIG. 4

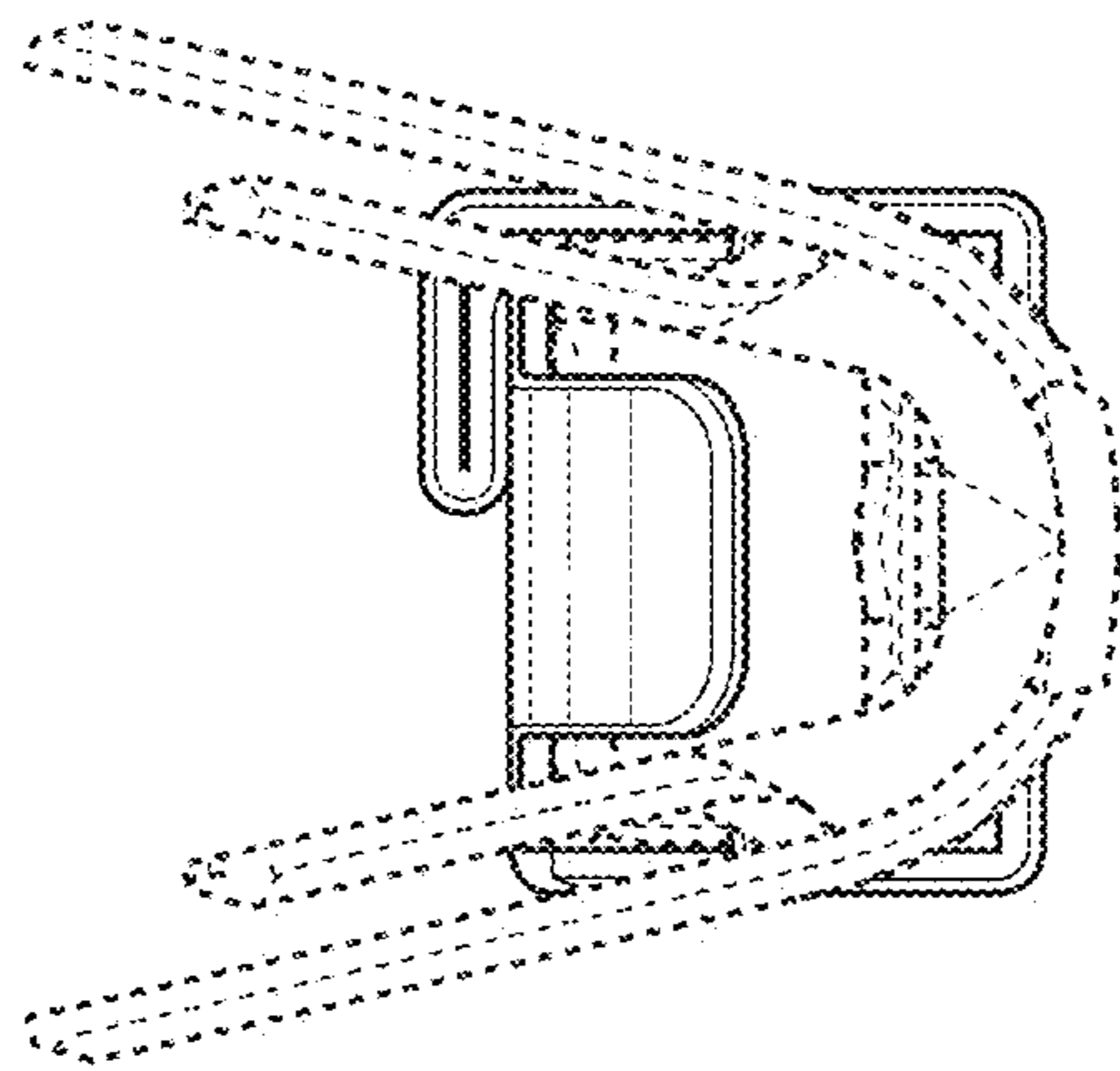


FIG. 5

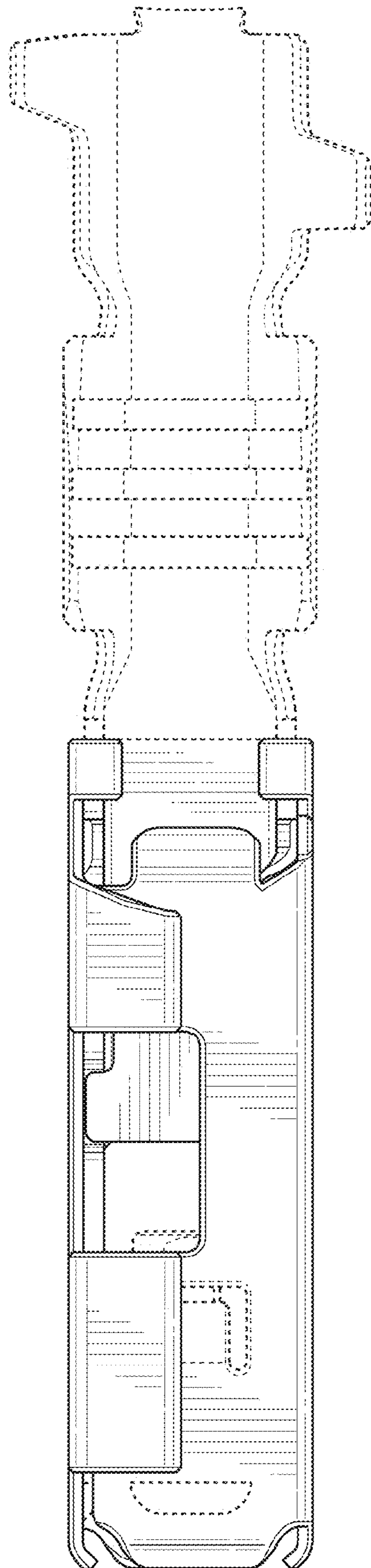


FIG. 6

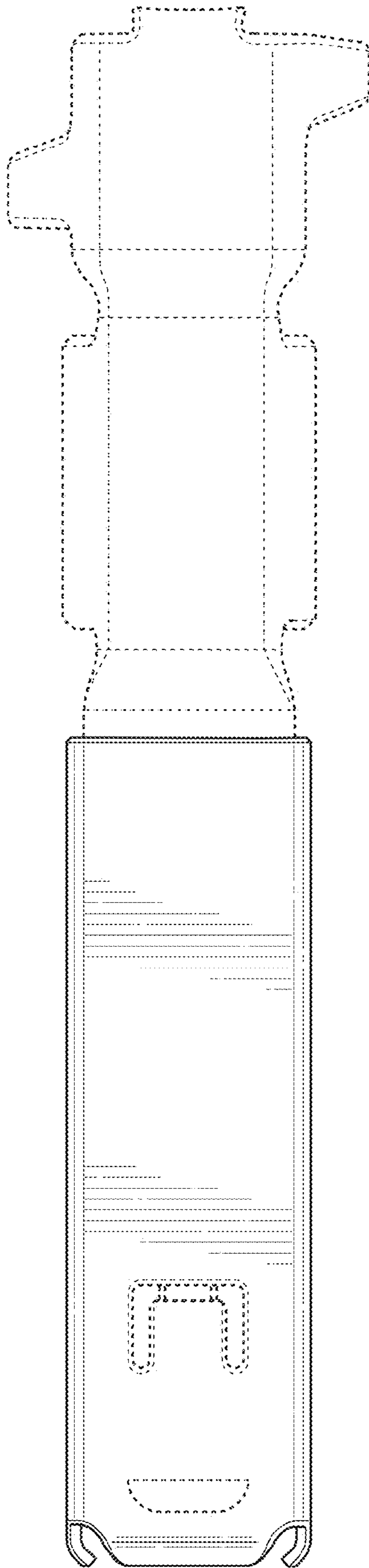


FIG. 7

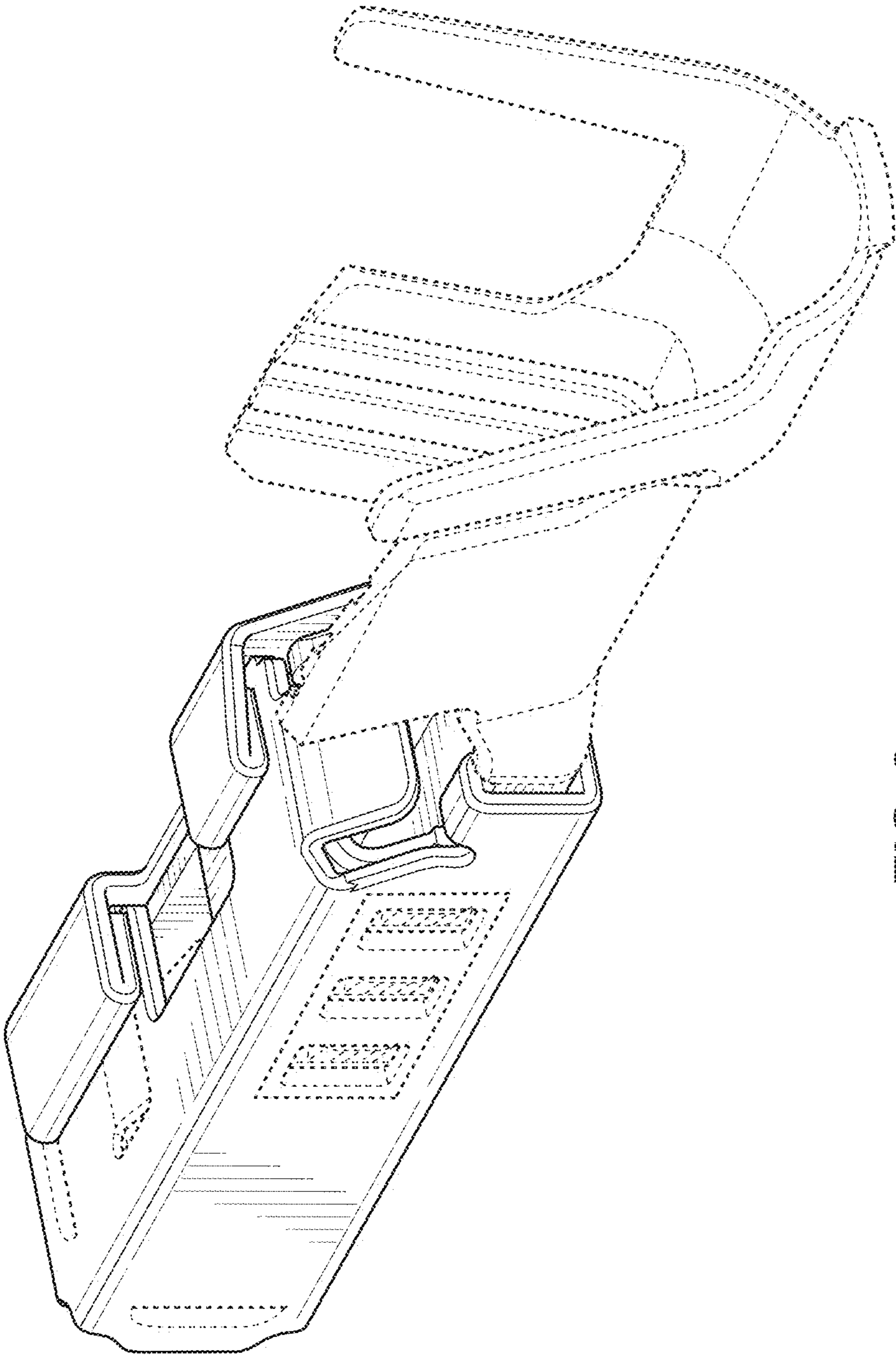


FIG. 8

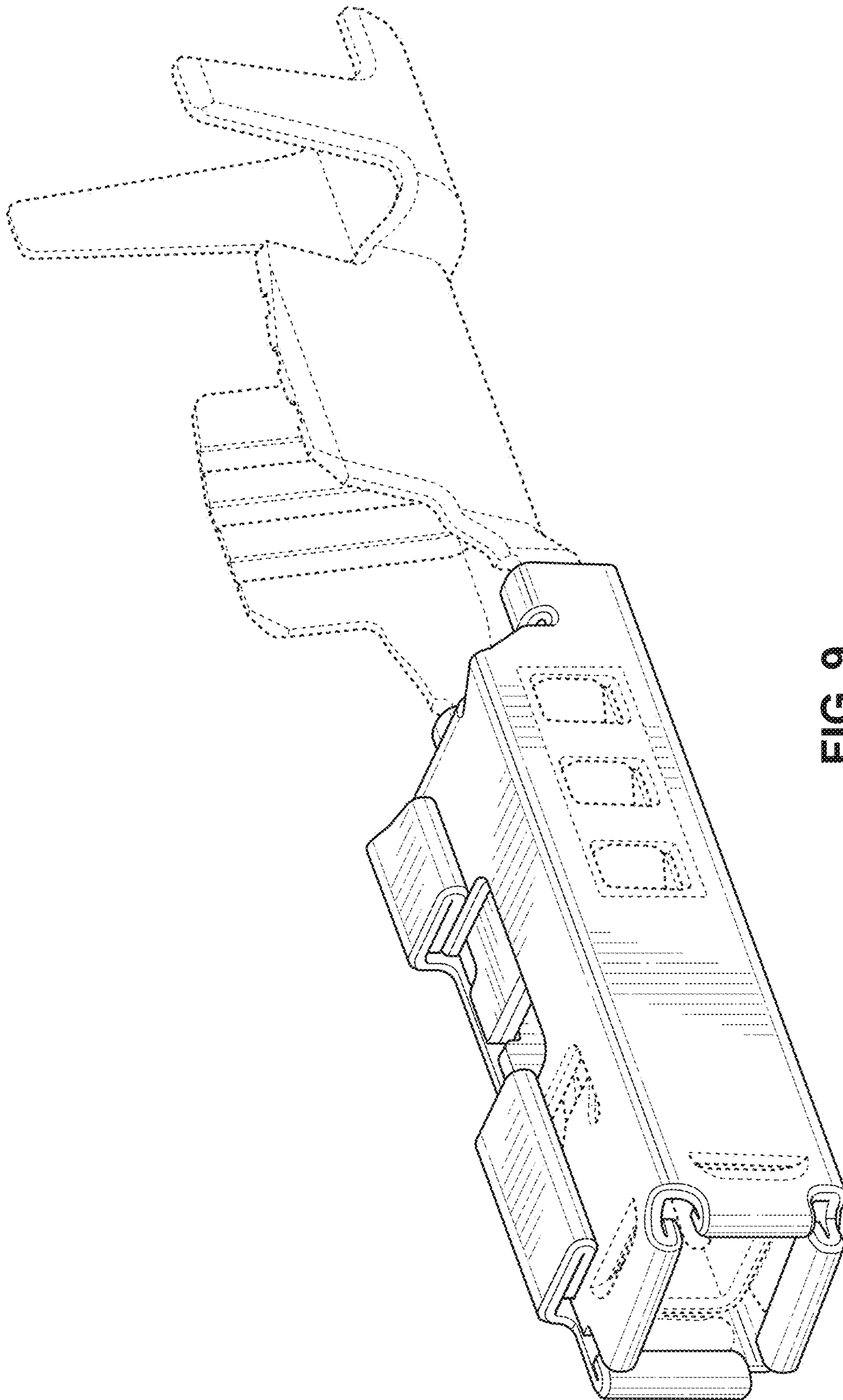


FIG. 9

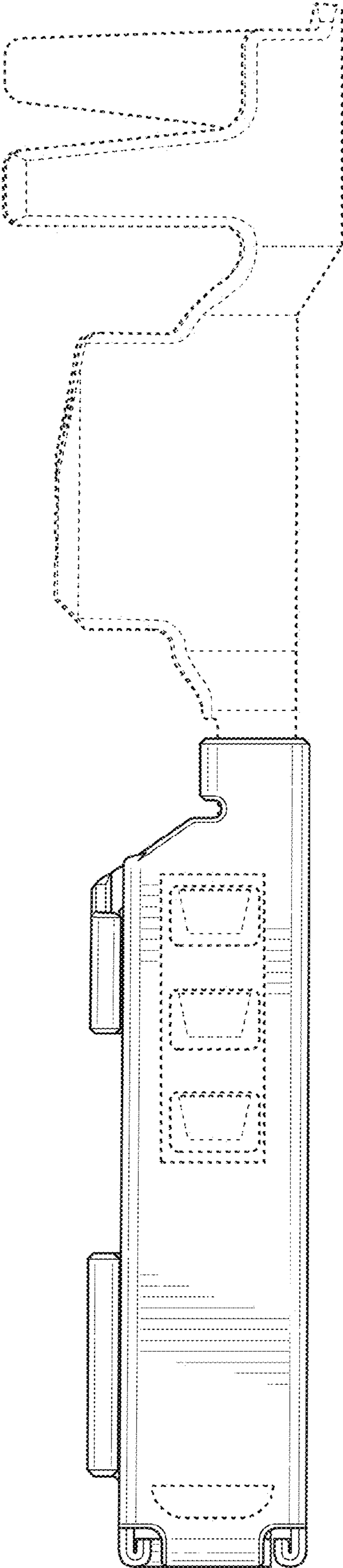


FIG. 10

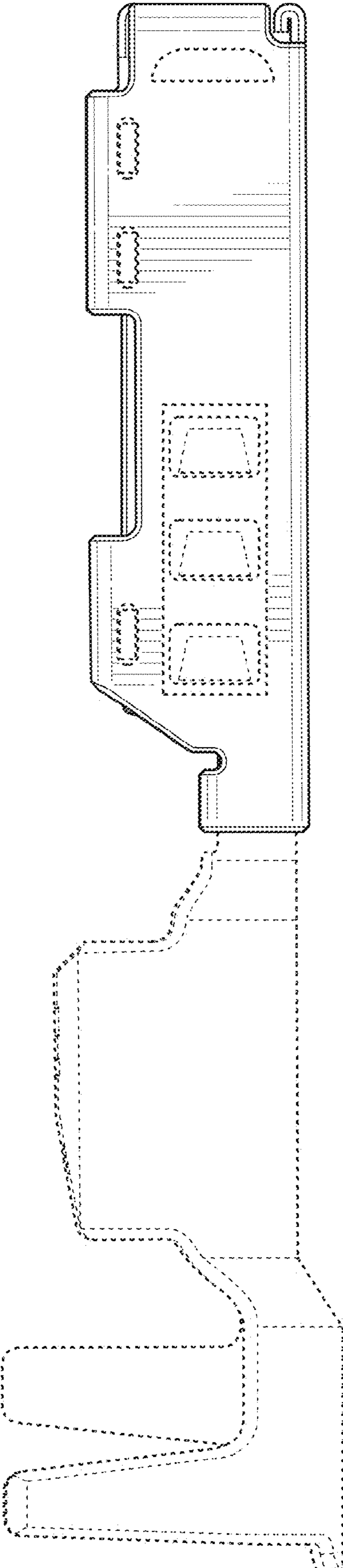


FIG. 11

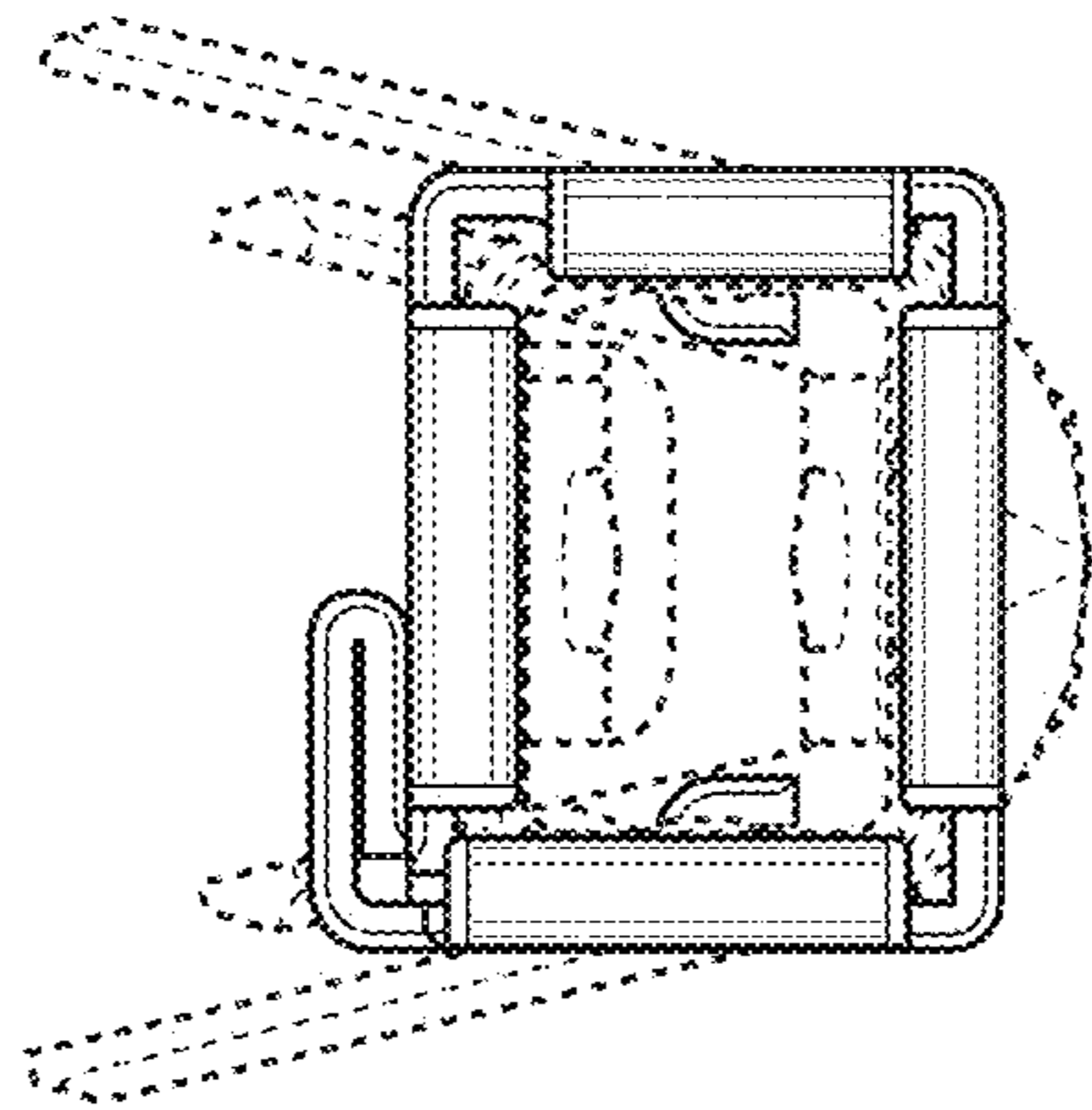


FIG. 12

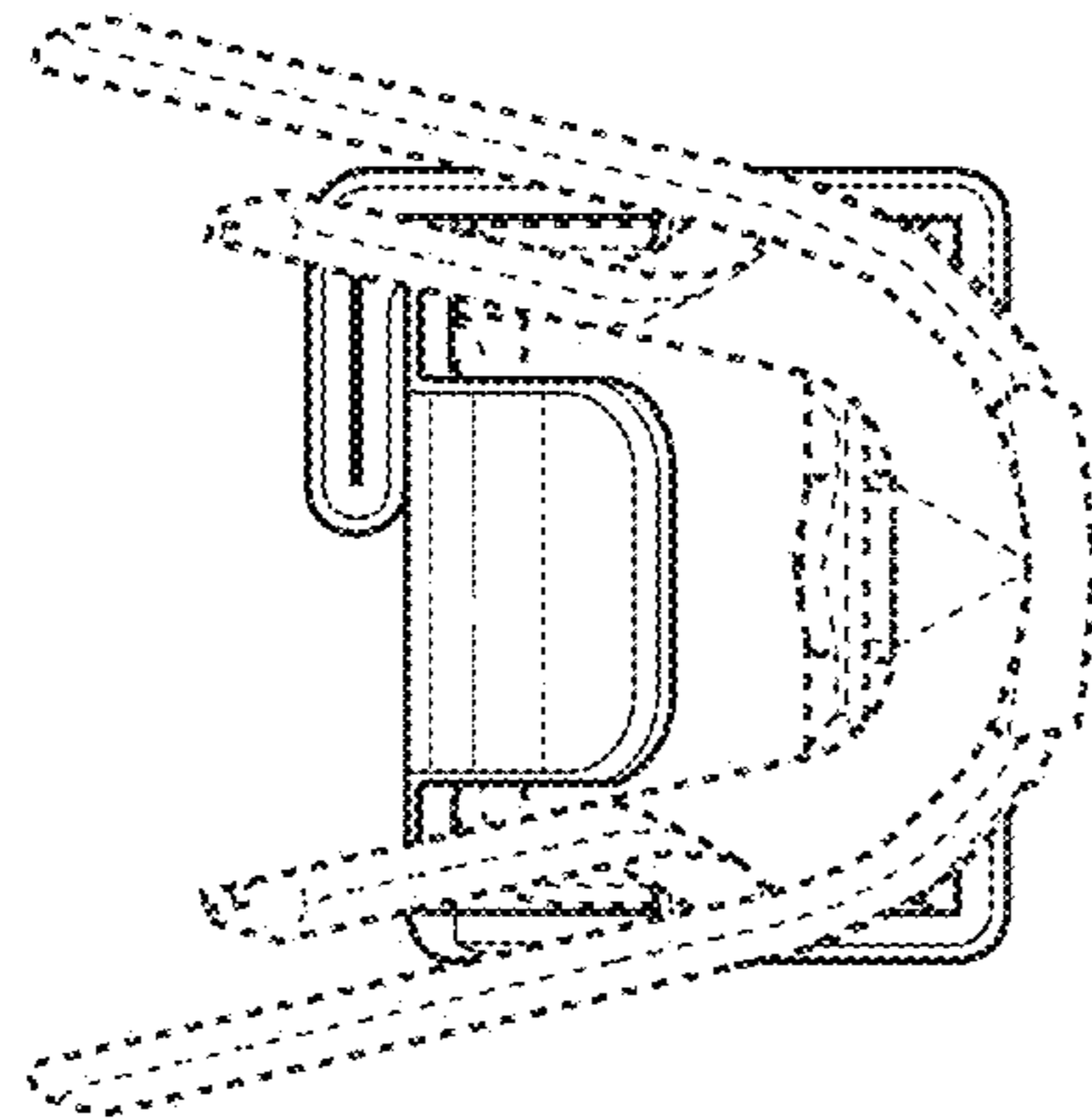


FIG. 13

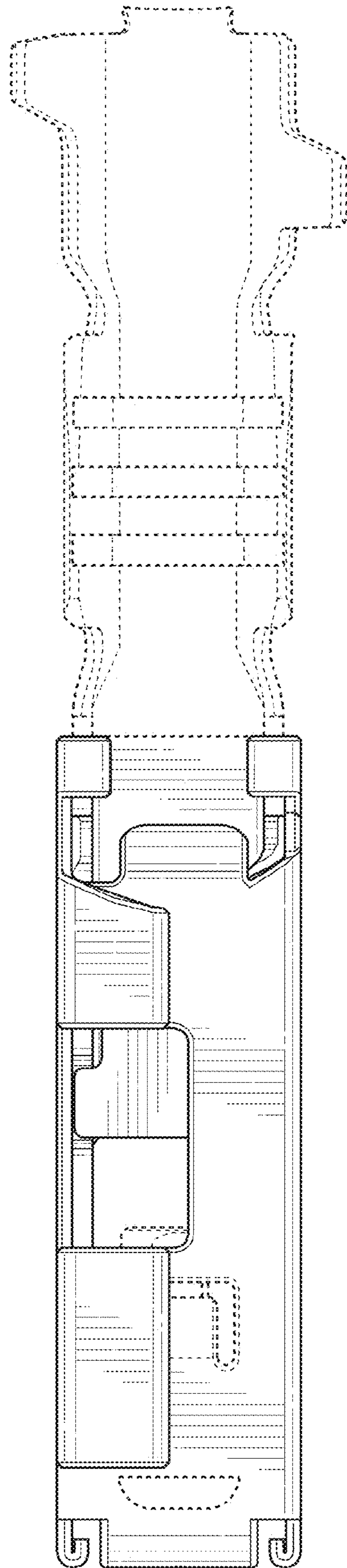


FIG. 14

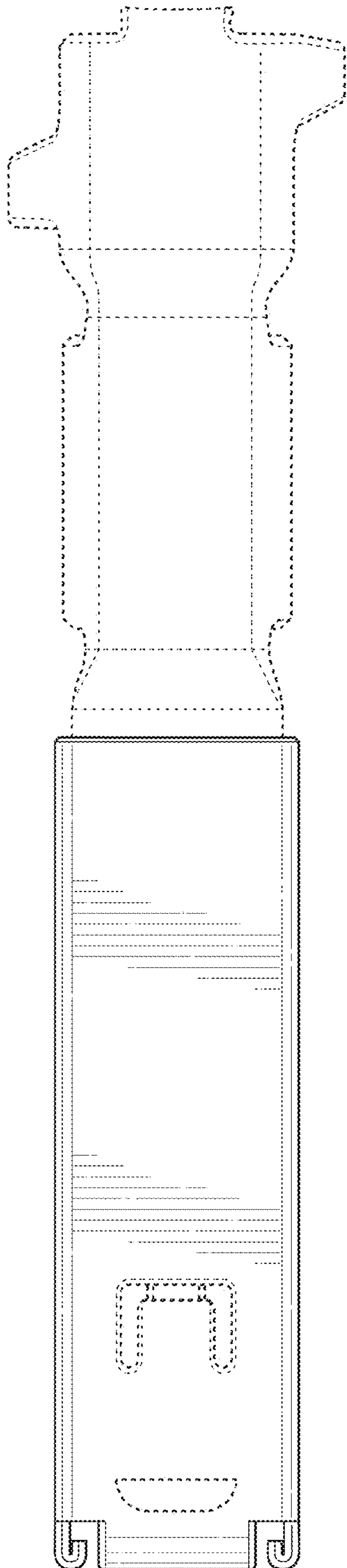


FIG. 15

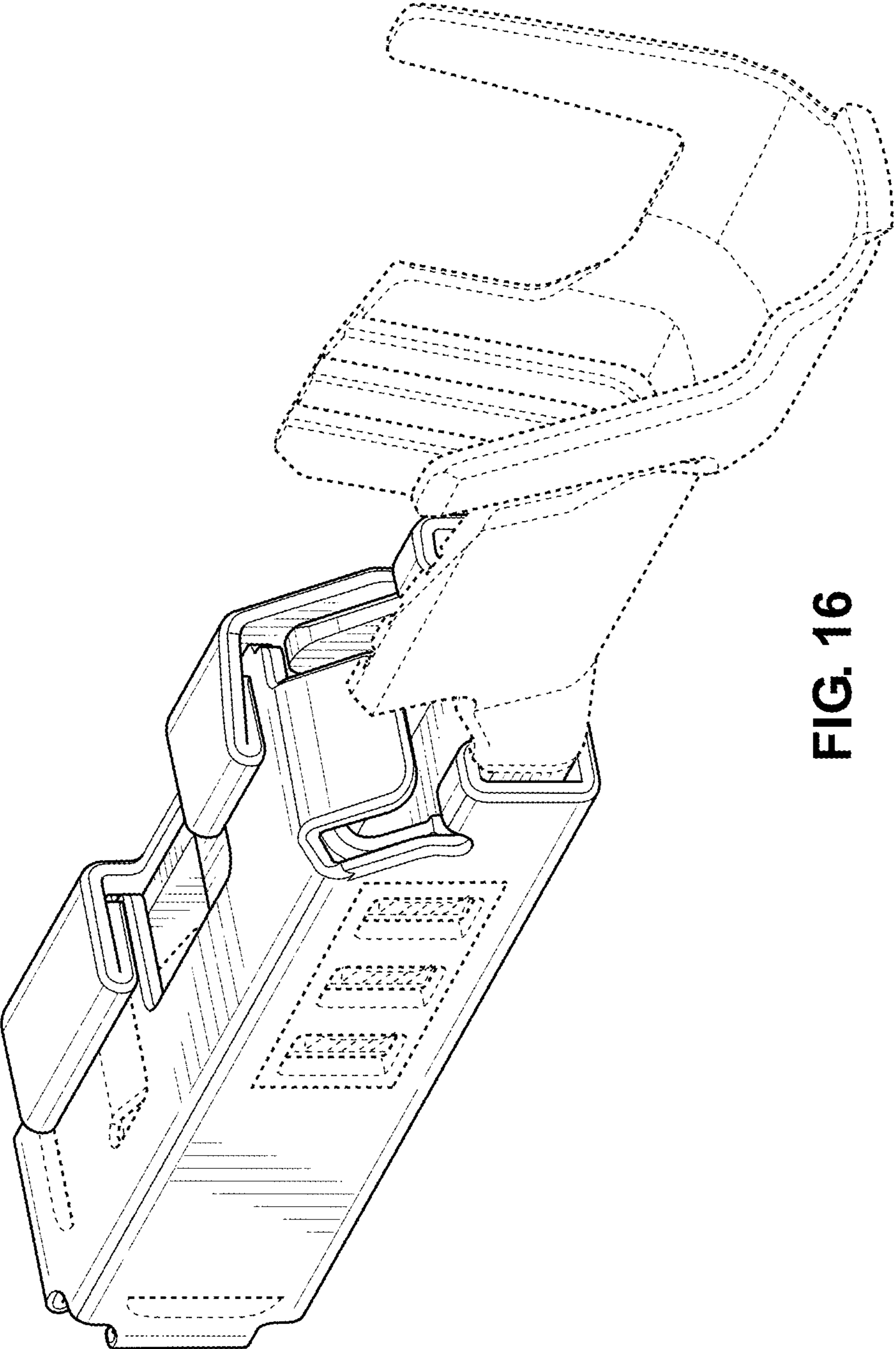


FIG. 16