



US00D882524S

(12) **United States Design Patent**
Rong

(10) **Patent No.:** **US D882,524 S**

(45) **Date of Patent:** **** Apr. 28, 2020**

- (54) **DATA TRANSMISSION CABLE**
- (71) Applicant: **Yinhua Rong**, Shuangfeng (CN)
- (72) Inventor: **Yinhua Rong**, Shuangfeng (CN)
- (**) Term: **15 Years**
- (21) Appl. No.: **29/695,099**
- (22) Filed: **Jun. 15, 2019**
- (51) **LOC (12) Cl.** **13-03**
- (52) **U.S. Cl.**
USPC **D13/153**
- (58) **Field of Classification Search**
USPC D13/153, 154, 156, 147, 133, 152;
D14/133
CPC H01R 13/6675
See application file for complete search history.

- D637,160 S * 5/2011 Hu D13/147
- D644,181 S * 8/2011 Hu D13/147
- D644,182 S * 8/2011 Hu D13/147
- D675,575 S * 2/2013 Izen D13/147
- D679,655 S * 4/2013 Lin D13/147
- D680,076 S * 4/2013 McManigal D13/147
- D705,174 S * 5/2014 Wong D13/147
- D784,931 S * 4/2017 Fries D13/153
- 9,660,396 B2 * 5/2017 Chen H01R 13/6675
- D793,344 S * 8/2017 Wang D13/153
- D810,749 S * 2/2018 Zhang D14/433
- D819,576 S * 6/2018 Hahn D13/153
- D823,260 S 7/2018 Petersen
- D825,468 S * 8/2018 Zeng D13/133
- D851,047 S 6/2019 Zhang
- D864,121 S * 10/2019 Liu D13/153

* cited by examiner

Primary Examiner — Rhea Shields
(74) *Attorney, Agent, or Firm* — HYIP

(56) **References Cited**

U.S. PATENT DOCUMENTS

- D418,481 S * 1/2000 Lin D13/152
- D491,894 S * 6/2004 Jiang D13/147
- D519,464 S * 4/2006 Suckle D13/156
- D520,458 S * 5/2006 Wada D13/156
- D520,459 S * 5/2006 Kent D13/156
- D543,156 S * 5/2007 Suckle D13/154
- D555,094 S * 11/2007 Victor D13/133
- D563,899 S * 3/2008 Goetz D13/154
- D588,547 S * 3/2009 Lee D13/154
- D602,440 S * 10/2009 Wu D13/147
- D602,441 S * 10/2009 Wu D13/147
- D603,800 S * 11/2009 Zhao D13/147
- D604,251 S * 11/2009 Hwang D13/154
- D617,279 S * 6/2010 Lee D13/147
- D634,710 S * 3/2011 Hsieh D13/147
- D636,734 S * 4/2011 Hsieh D13/147
- D637,158 S * 5/2011 Hu D13/147

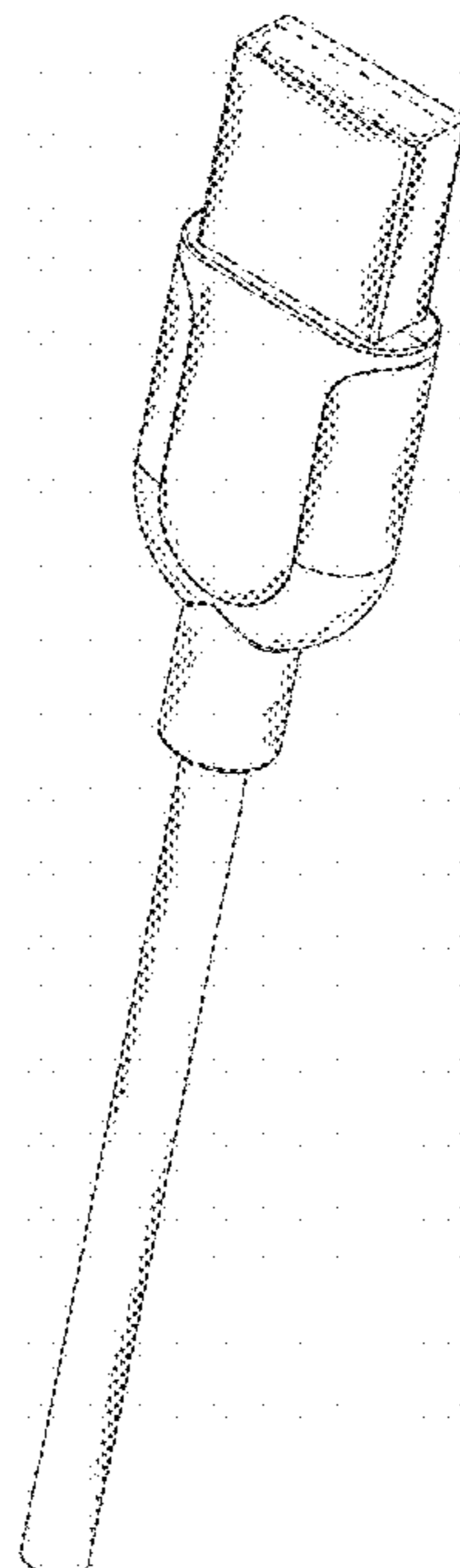
(57) **CLAIM**

The ornamental design for a data transmission cable, as shown and described.

DESCRIPTION

FIG. 1 is perspective view of a data transmission cable showing my design;
FIG. 2 is a front view thereof;
FIG. 3 is a back view thereof;
FIG. 4 is a left side view thereof;
FIG. 5 is a right side view thereof;
FIG. 6 is a top view thereof; and,
FIG. 7 is a bottom view thereof.
The broken lines shown in the drawings depict portions of the data transmission cable in which the design is embodied that form no part of the claimed design.

1 Claim, 7 Drawing Sheets



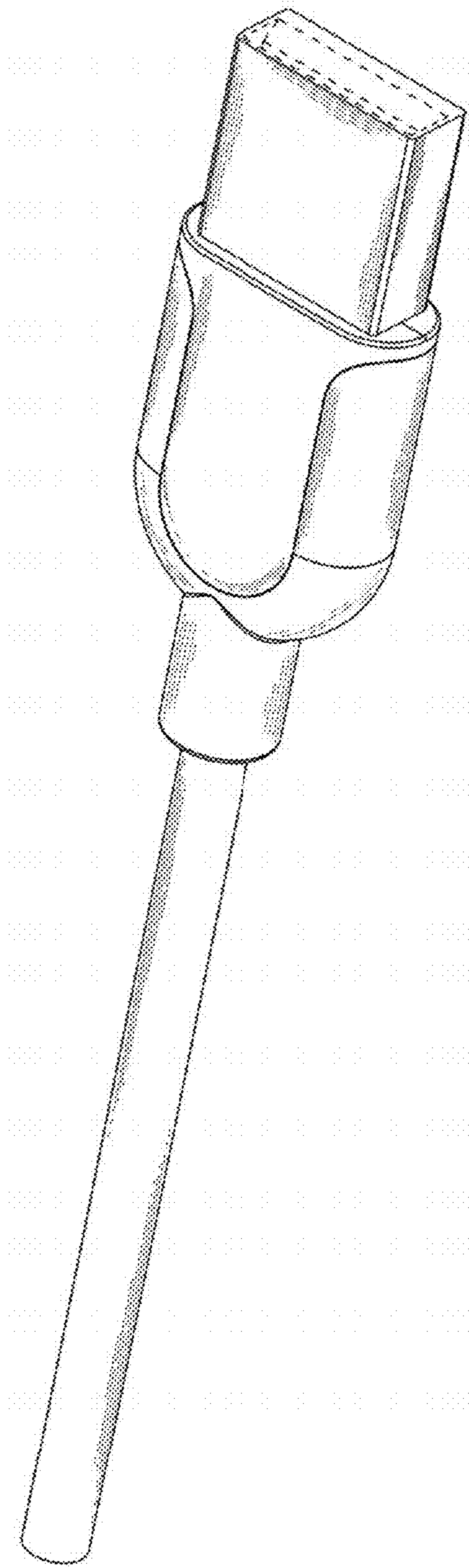


FIG. 1

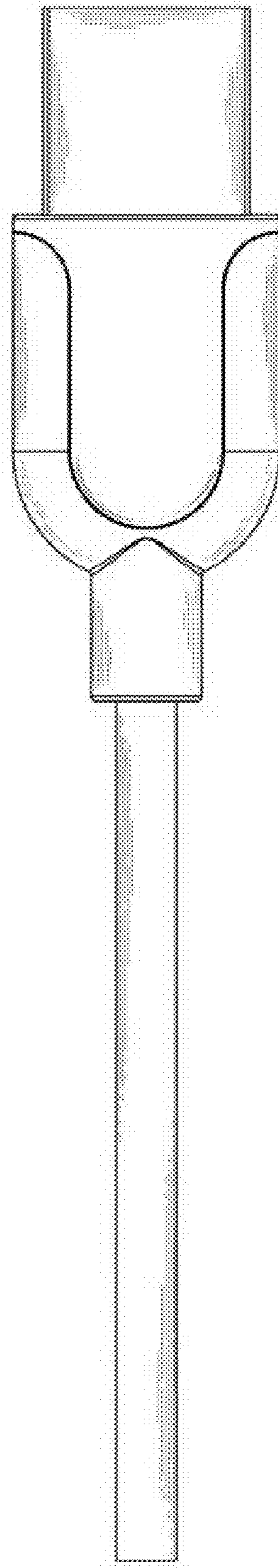


FIG. 2

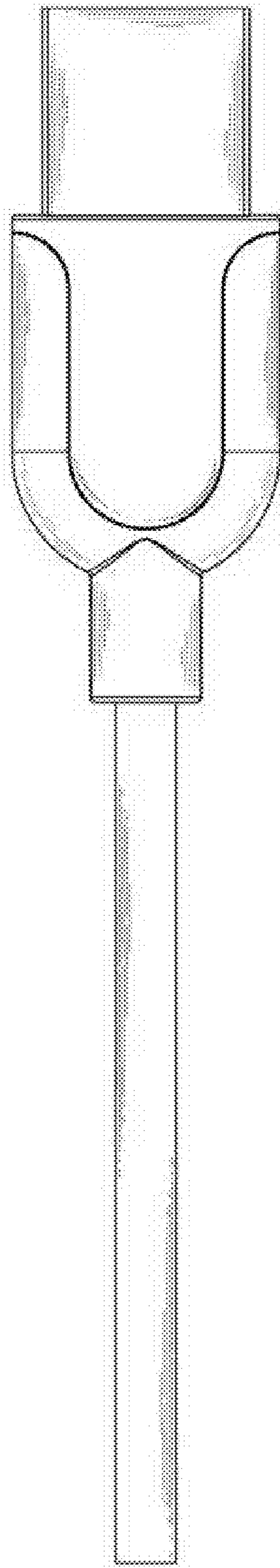


FIG. 3

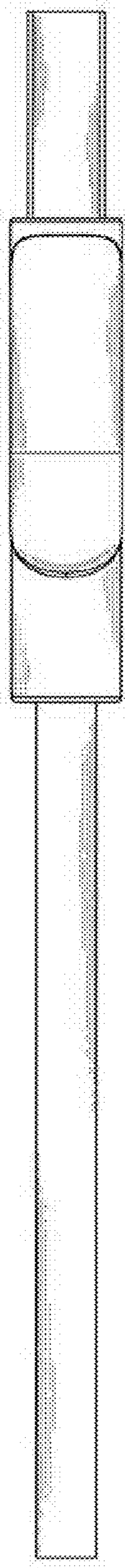


FIG. 4

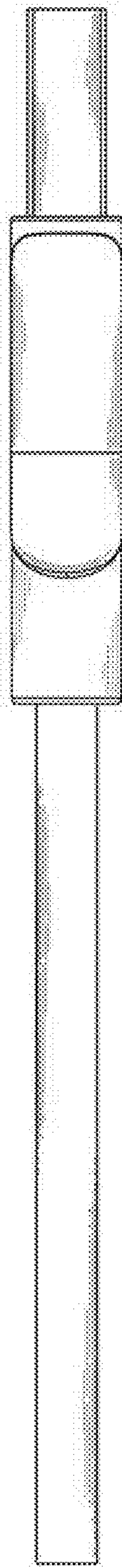


FIG. 5

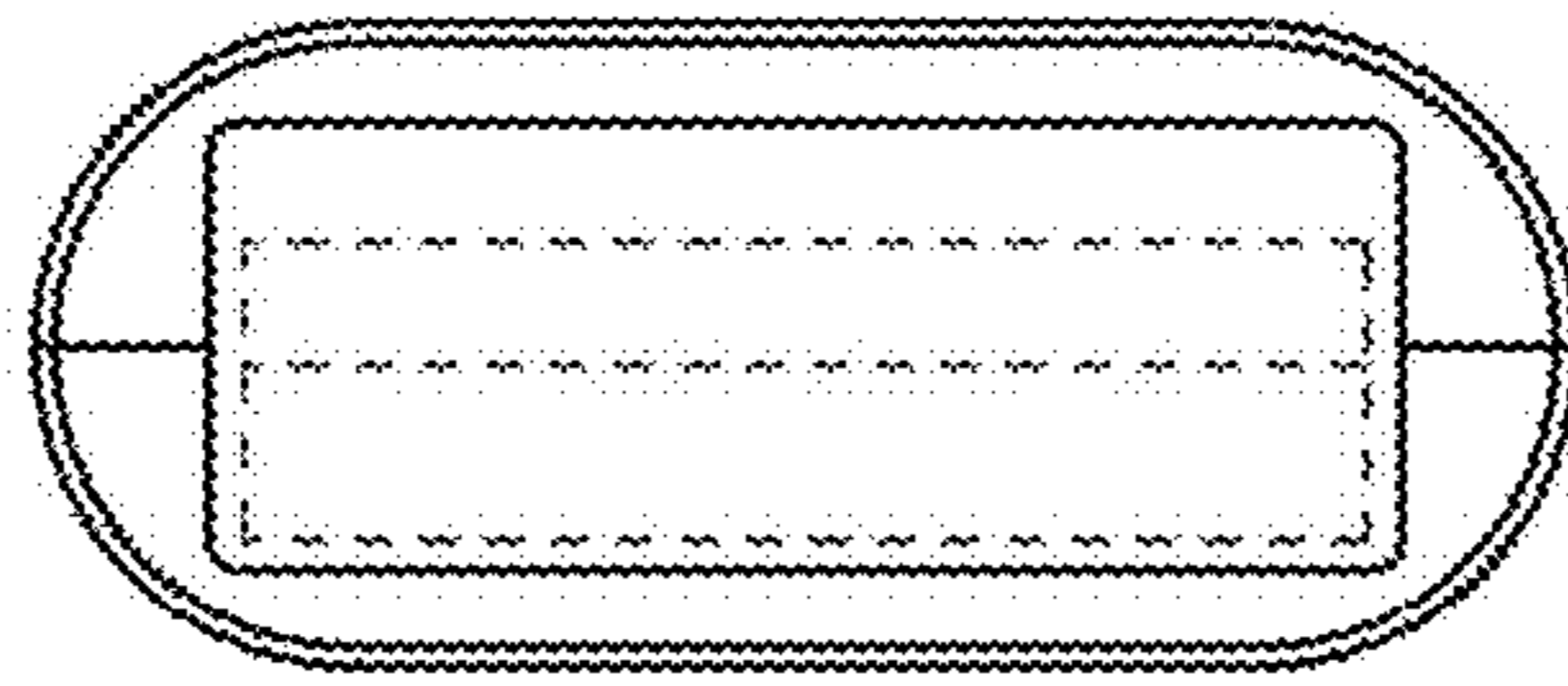


FIG. 6

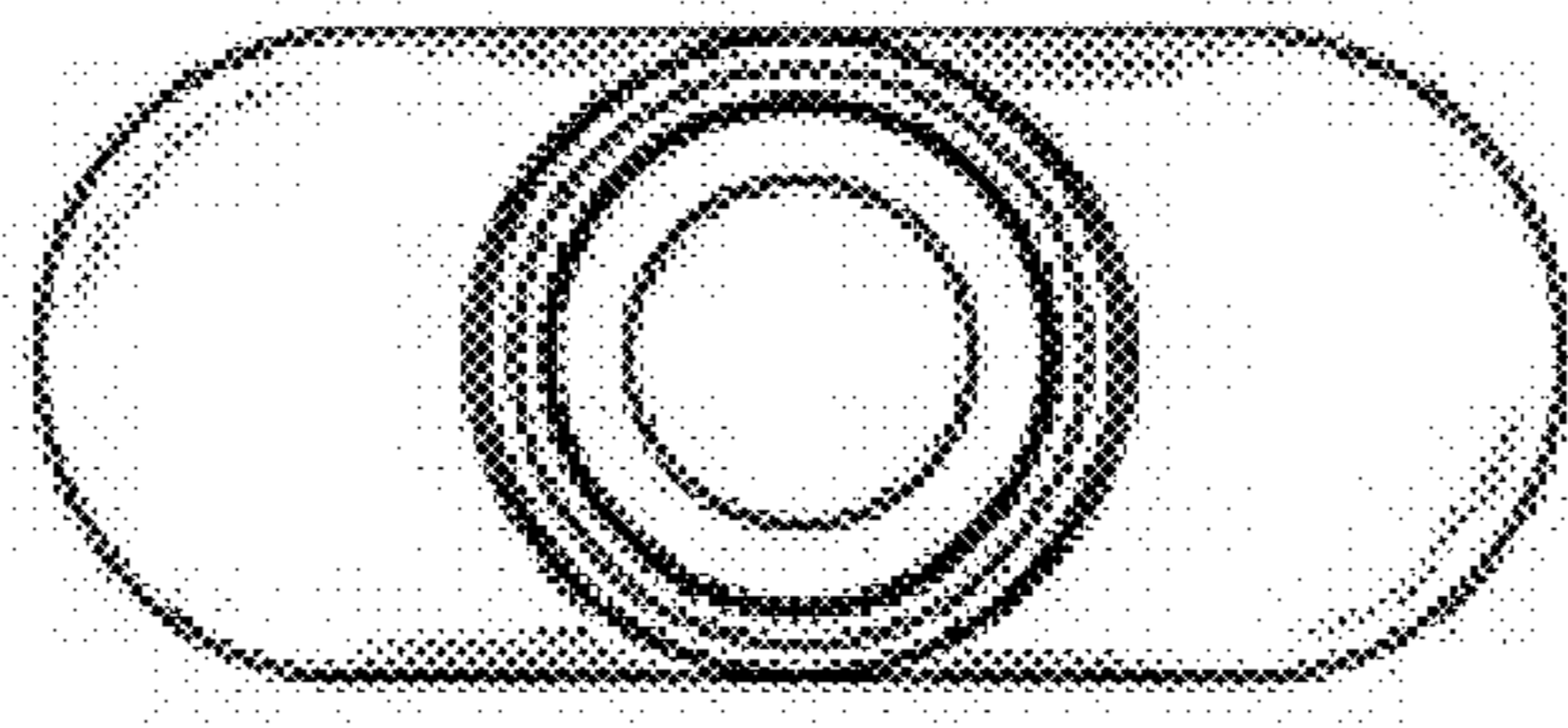


FIG. 7