



US00D882523S

(12) **United States Design Patent** (10) **Patent No.:** **US D882,523 S**
Li (45) **Date of Patent:** **** Apr. 28, 2020**

(54) **CONNECTOR**

(71) Applicant: **Getac Technology Corporation,**
Hsinchu County (TW)

(72) Inventor: **Chun-Hsing Li,** Taipei (TW)

(73) Assignee: **GETAC TECHNOLOGY**
CORPORATION, Hsinchu County
(TW)

(**) Term: **15 Years**

(21) Appl. No.: **29/655,582**

(22) Filed: **Jul. 5, 2018**

(30) **Foreign Application Priority Data**

Jan. 5, 2018 (CN) 2018 3 0004578

(51) **LOC (12) Cl.** **13-03**

(52) **U.S. Cl.**
USPC **D13/147**

(58) **Field of Classification Search**
USPC D13/103, 107, 108, 110, 112, 118, 120,
D13/123, 133, 137.1, 145-147, 149-156,
D13/158, 173, 177, 184, 199, 242;
D14/240, 242, 433, 434, 435.1, 438;
D26/129
CPC .. H01R 13/639; H01R 13/641; H01R 13/627;
H01R 13/518; H01R 13/514; H01R
13/506; H01R 13/436; H01R 43/26;
H01R 13/516; H01R 13/6592; H01R
13/743

See application file for complete search history.

(56) **References Cited**

U.S. PATENT DOCUMENTS

5,248,264 A * 9/1993 Long E05C 1/10
439/347
D658,192 S * 4/2012 Cullen D14/453
D660,298 S * 5/2012 Vroom D14/434
D660,299 S * 5/2012 Vroom D14/434

D660,300 S * 5/2012 Vroom D14/434
D703,671 S * 4/2014 Hackett D14/433
8,794,992 B2 * 8/2014 Hsu H01R 13/5213
439/353
D780,824 S * 3/2017 Li D14/434
D797,669 S * 9/2017 Chang D13/108
9,954,317 B2 * 4/2018 Zhao H01R 12/58
10,063,005 B2 * 8/2018 Zhao H01R 13/5227
10,074,935 B2 * 9/2018 Kato H01R 13/6315
10,249,990 B2 * 4/2019 Zhao H01R 13/6595
10,312,635 B2 * 6/2019 Zhao H01R 43/16
10,361,518 B2 * 7/2019 Zhang H01R 12/716
D865,662 S * 11/2019 Ito D13/107

(Continued)

OTHER PUBLICATIONS

Twindis. SATA 15-pin Female to 4-pin Molex Male Cable 0.15 Meter (for Getac B300). no date specified. <https://www.twindis.com/en/product/p0999572/sata-15-pin-female-naar-4-pin-molex-male-kabel-015-rneter.html?subid=336073&prre1=30849898> (Year: 0).*

Primary Examiner — Darcey E Gottschalk
(74) *Attorney, Agent, or Firm* — Locke Lord LLP; Tim Tingkang Xia, Esq.

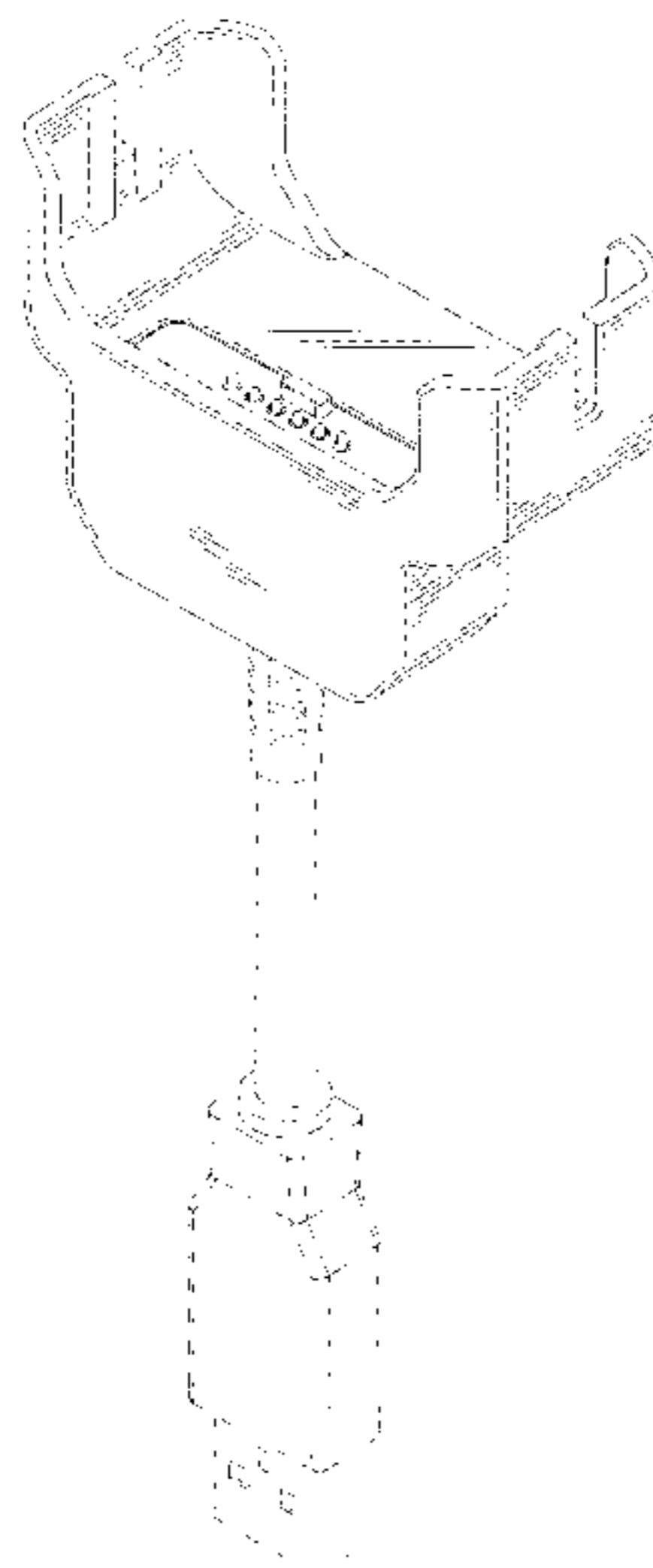
(57) **CLAIM**

The ornamental design for a connector, as shown and described.

DESCRIPTION

FIG. 1 is a perspective view of a connector showing the claimed design;
FIG. 2 is a front elevational view thereof;
FIG. 3 is a rear elevational view thereof;
FIG. 4 is a left side elevational view thereof;
FIG. 5 is a right side elevational view thereof;
FIG. 6 is a top plan view thereof; and,
FIG. 7 is a bottom plan view thereof.
In the drawings, the broken lines show portions of a connector that form no part of the claim.

1 Claim, 7 Drawing Sheets



(56)

References Cited

U.S. PATENT DOCUMENTS

D868,690 S * 12/2019 Xie D13/108
10,505,318 B2 * 12/2019 Zhao H01R 12/724

* cited by examiner

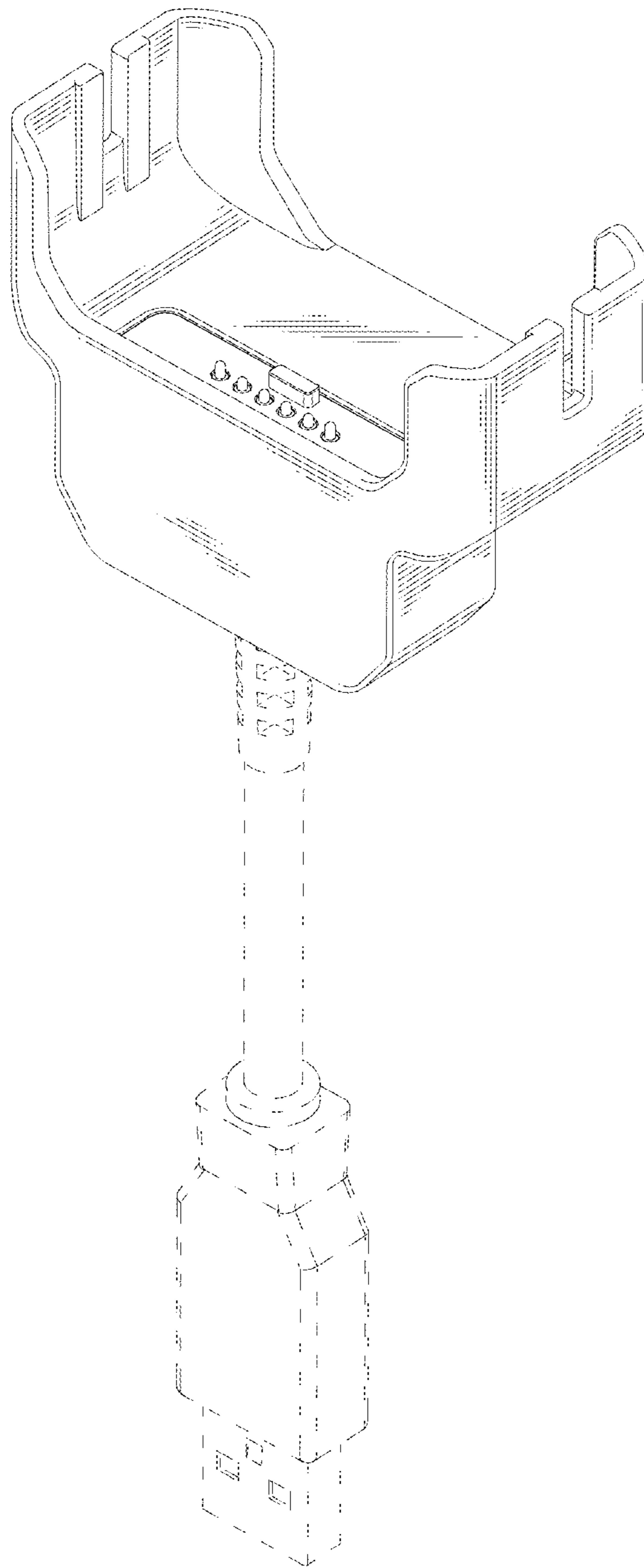


FIG. 1

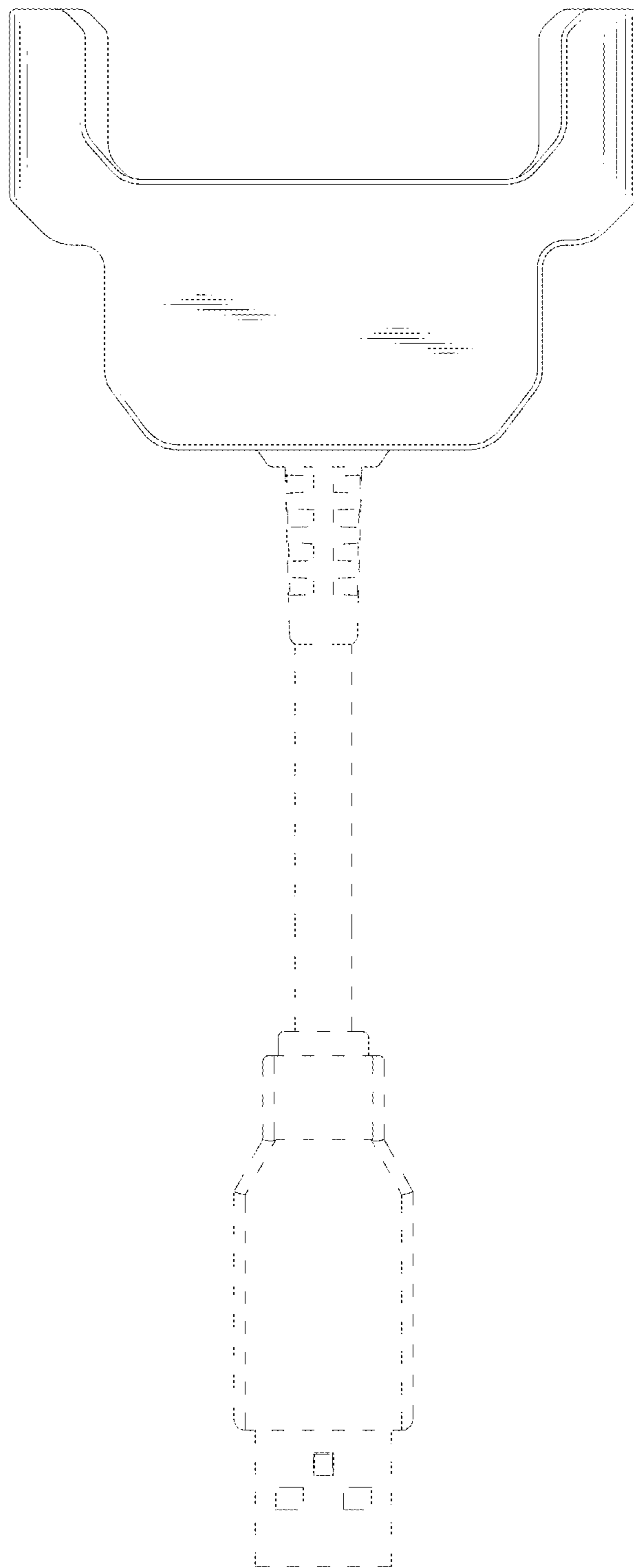


FIG. 2

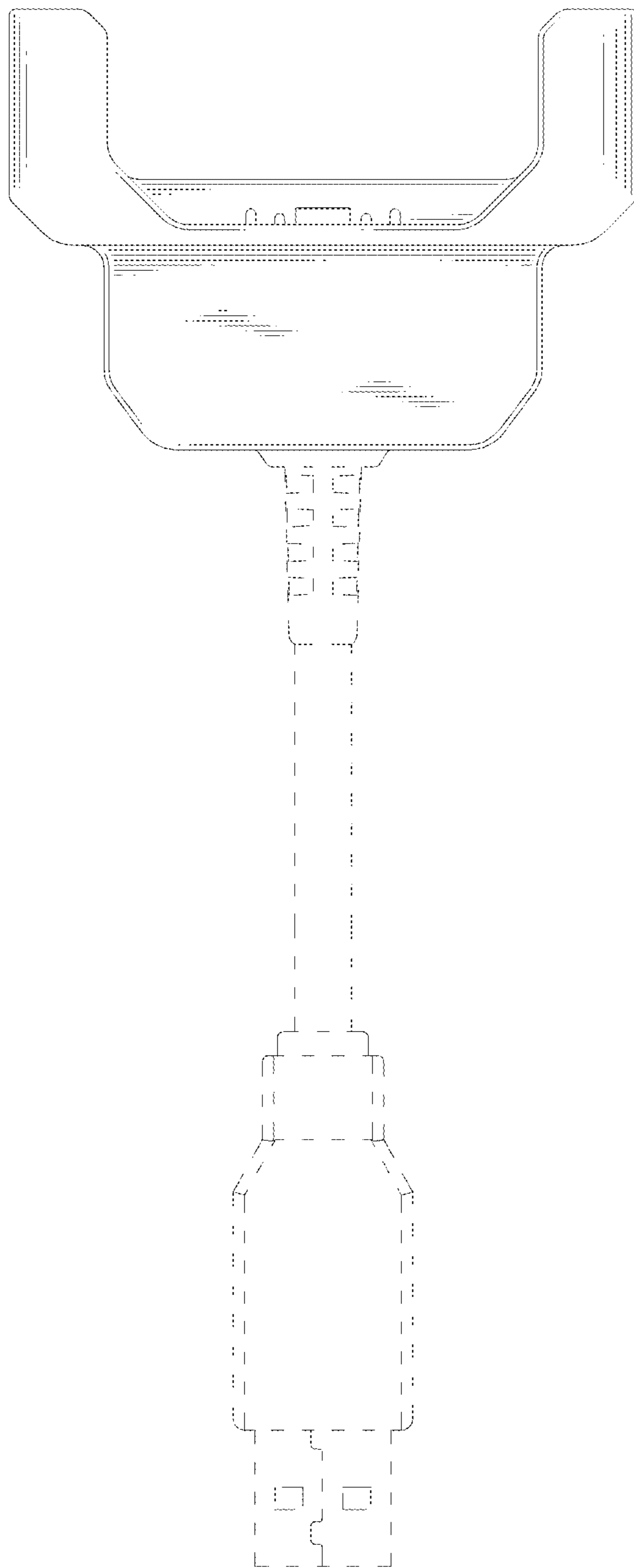


FIG. 3

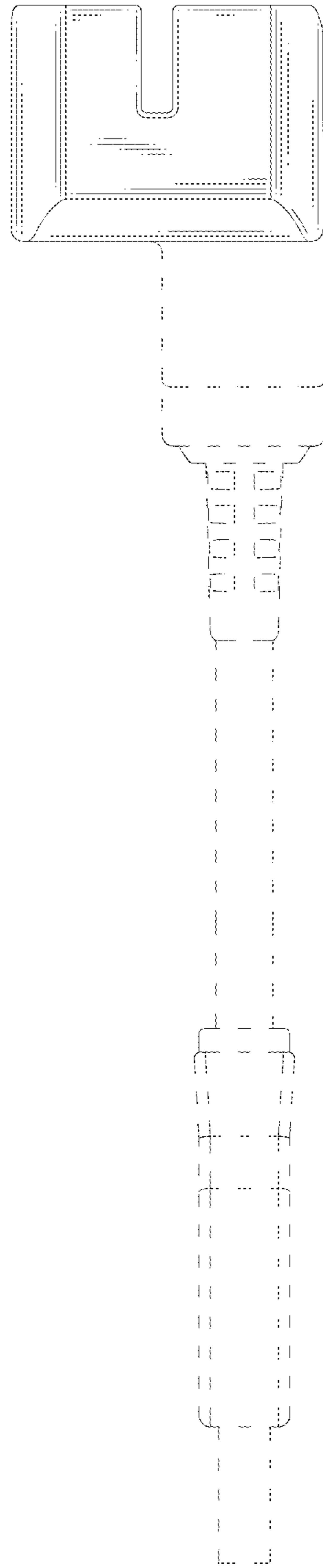


FIG. 4

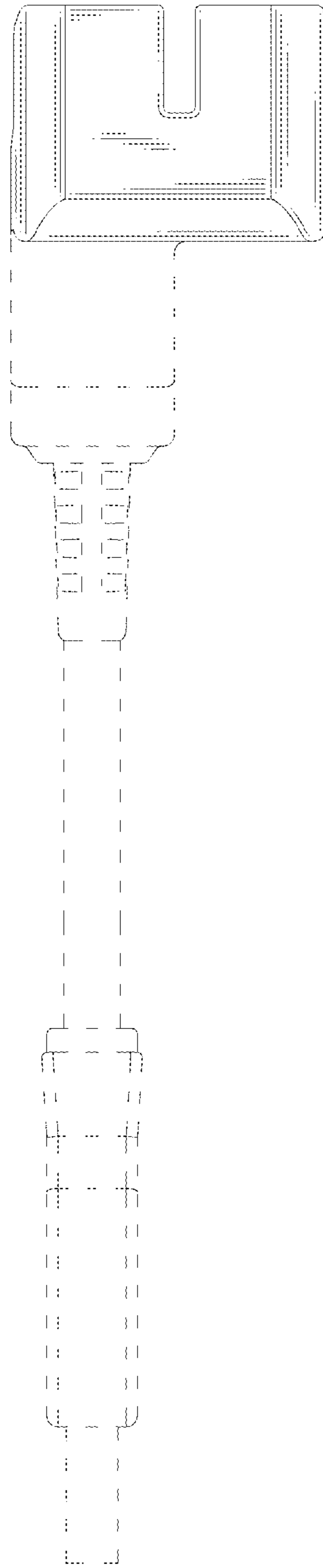


FIG. 5

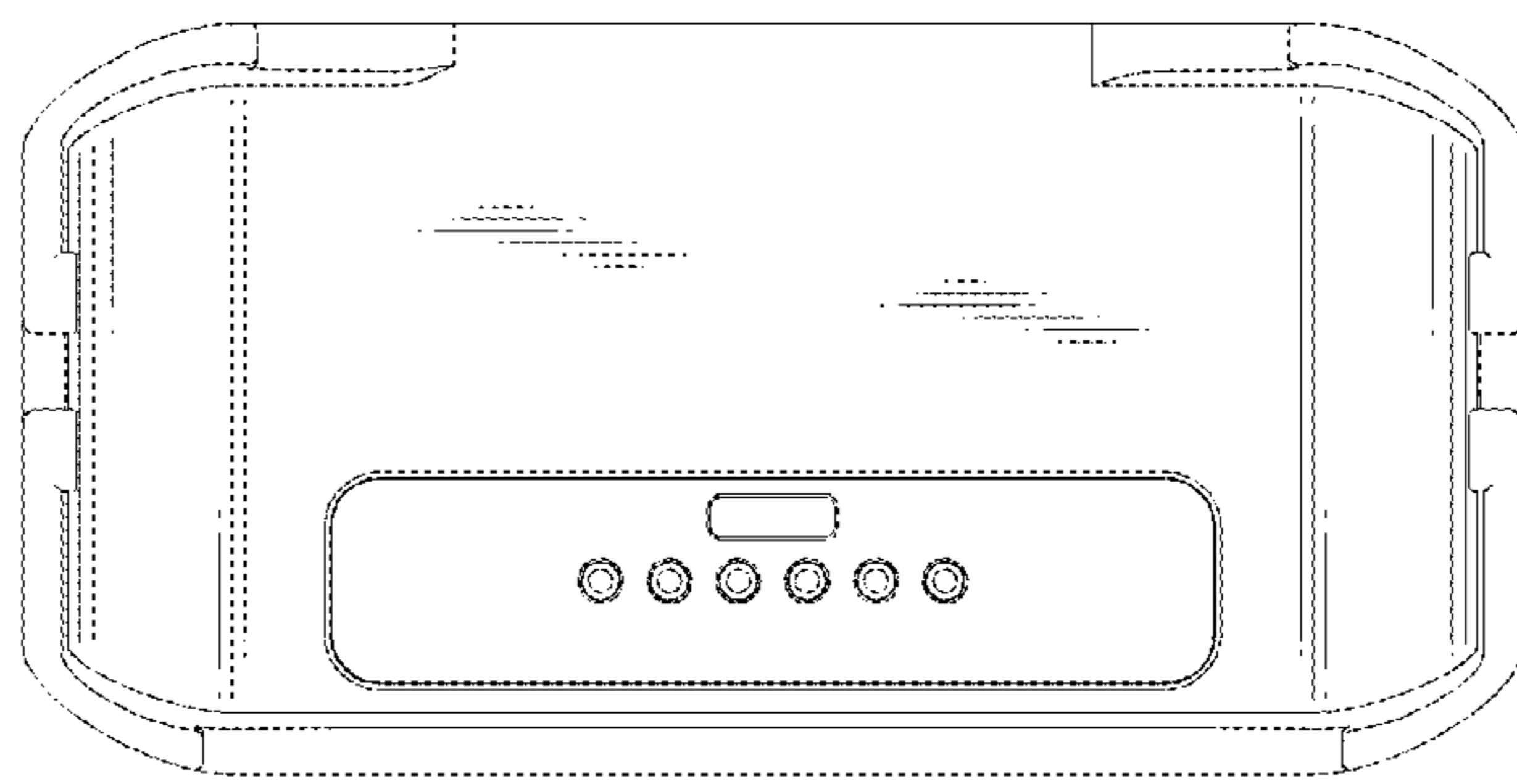


FIG. 6

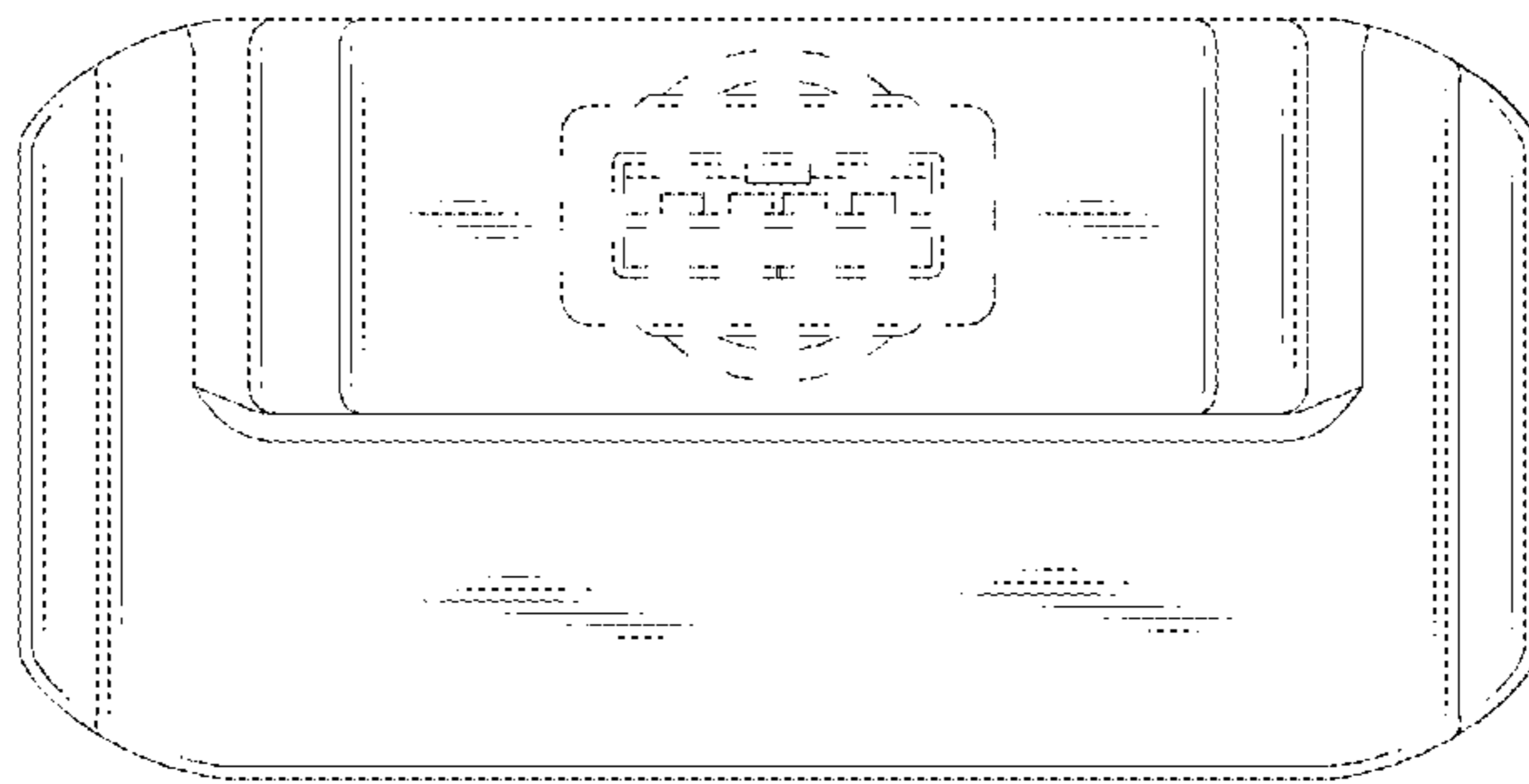


FIG. 7