



US00D882522S

(12) **United States Design Patent**
Ba

(10) **Patent No.:** **US D882,522 S**

(45) **Date of Patent:** **** Apr. 28, 2020**

(54) **BLUETOOTH CAR CHARGER**

(71) Applicant: **VTIN TECHNOLOGY CO., LIMITED**, Hong Kong (HK)

(72) Inventor: **Hanjian Ba**, Guangdong (CN)

(73) Assignee: **VTIN TECHNOLOGY CO., LIMITED**, Hong Kong (HK)

(**) Term: **15 Years**

(21) Appl. No.: **29/633,522**

(22) Filed: **Jan. 15, 2018**

(51) **LOC (12) Cl.** **13-03**

(52) **U.S. Cl.**
USPC **D13/144**

(58) **Field of Classification Search**
USPC D13/144, 107, 108, 110, 118, 119, 120,
D13/133, 154, 184, 199; D14/155, 217,
D14/433
CPC H01R 24/58; H01R 2201/26; H01R 31/02;
H02J 7/0042
See application file for complete search history.

(56) **References Cited**

U.S. PATENT DOCUMENTS

- 6,840,485 B2 * 1/2005 Richter B60R 11/00
248/311.2
- D559,227 S * 1/2008 Kim D14/155
- D619,567 S * 7/2010 Kwon D14/223

- D711,322 S * 8/2014 McSweyn D13/144
- D713,398 S * 9/2014 Alesi D14/253
- D728,508 S * 5/2015 Breines D14/155
- D731,973 S * 6/2015 Liu D13/144
- D743,926 S * 11/2015 Liao D14/155
- D777,675 S * 1/2017 Miller D13/144
- D782,485 S * 3/2017 Cai D14/433
- D796,470 S * 9/2017 Du D14/155
- D840,937 S * 2/2019 Wang D13/144
- D846,501 S * 4/2019 Esses D13/144
- D859,315 S * 9/2019 Zhong D13/144
- D873,260 S * 1/2020 Dang D14/253

* cited by examiner

Primary Examiner — Derrick E Holland

Assistant Examiner — Jennifer O King

(74) *Attorney, Agent, or Firm* — JCIPRNET

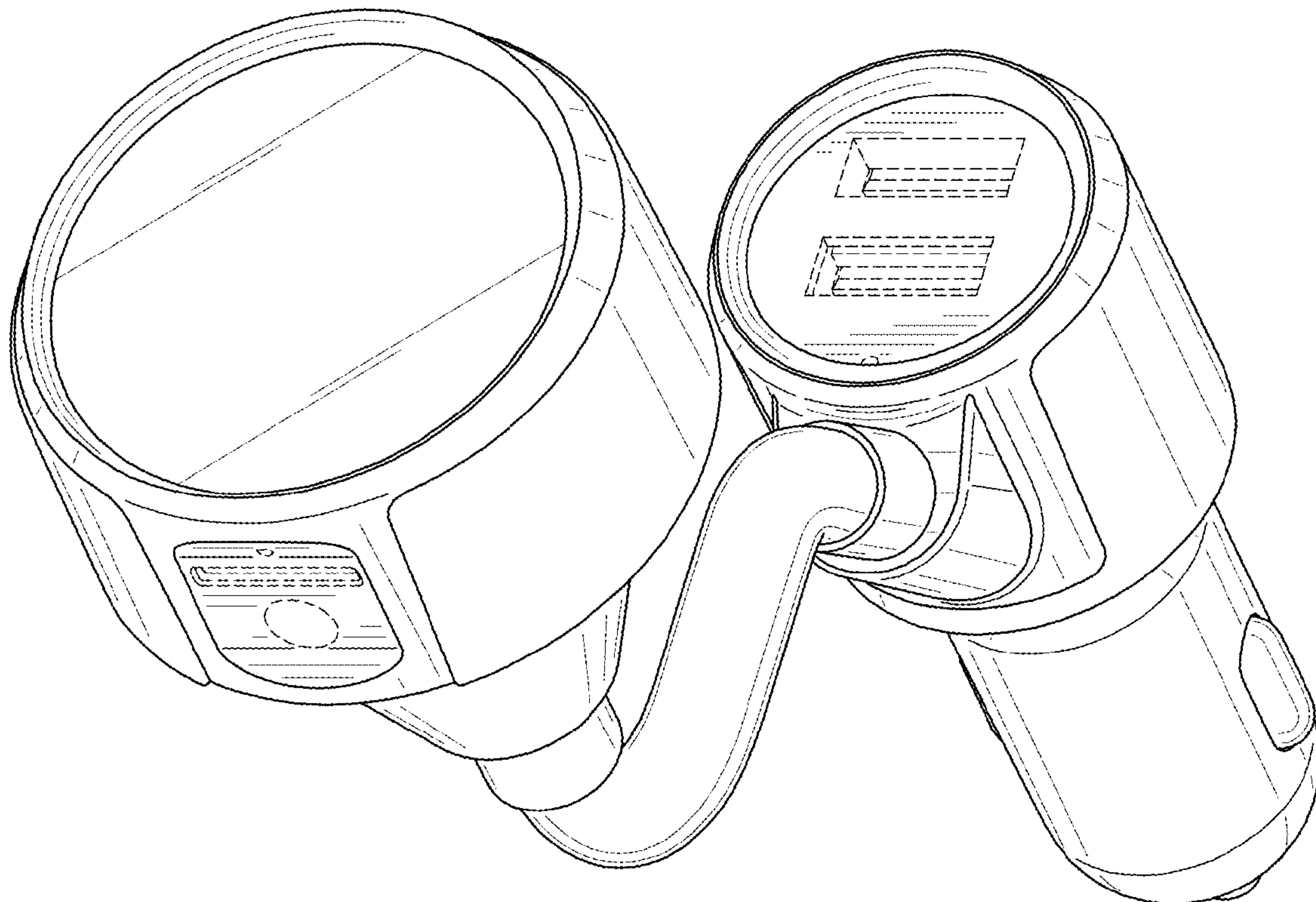
(57) **CLAIM**

The ornamental design for a bluetooth car charger, as shown and described.

DESCRIPTION

FIG. 1 is a perspective view of a bluetooth car charger showing my new design;
 FIG. 2 is a front view thereof;
 FIG. 3 is a rear view thereof;
 FIG. 4 is a left side view thereof;
 FIG. 5 is a right side view thereof;
 FIG. 6 is a top view thereof; and,
 FIG. 7 is a bottom view thereof.
 The broken lines shown represent portions of the bluetooth car charger that form no part of the claimed design.

1 Claim, 6 Drawing Sheets



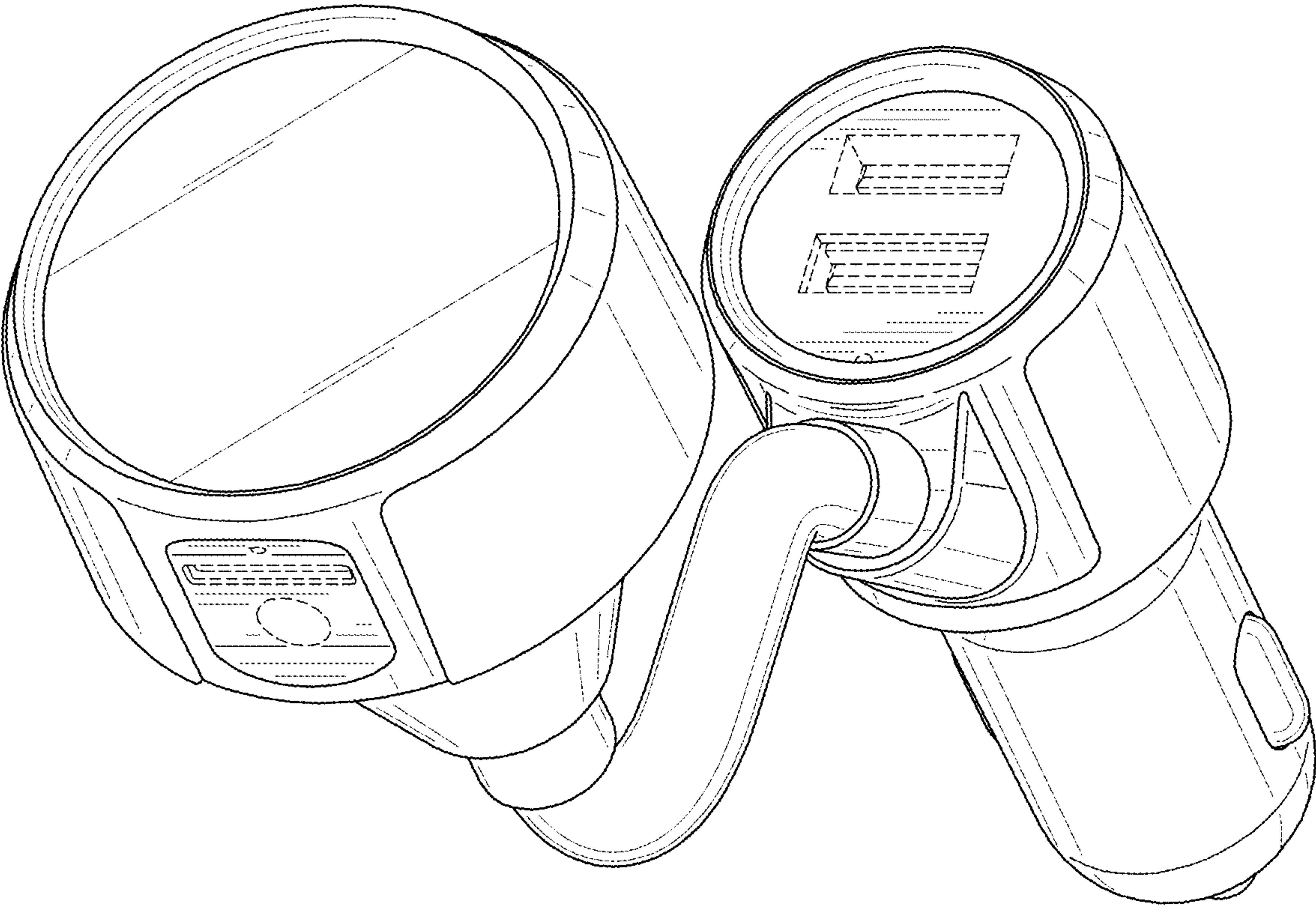


FIG. 1

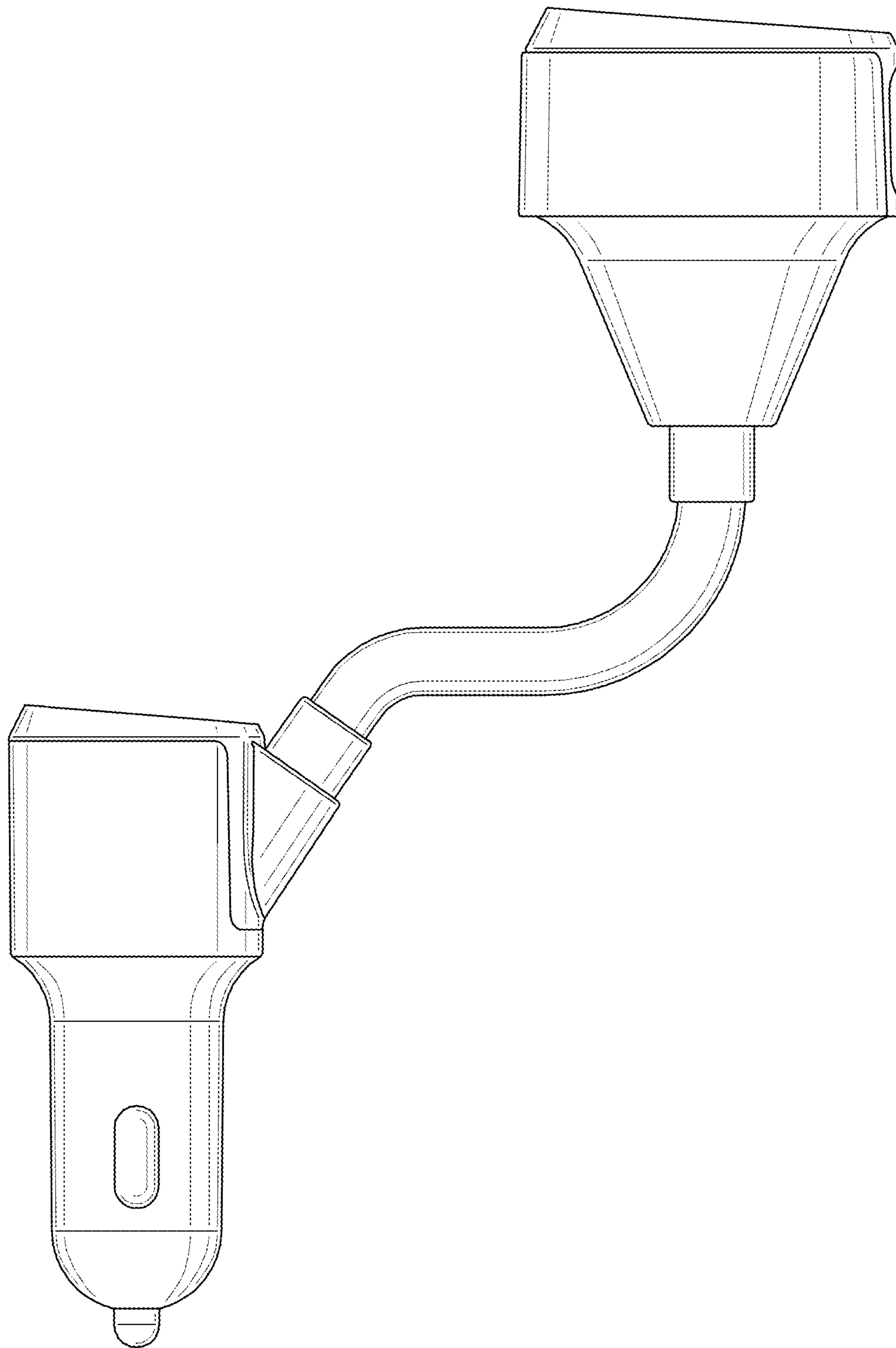


FIG. 2

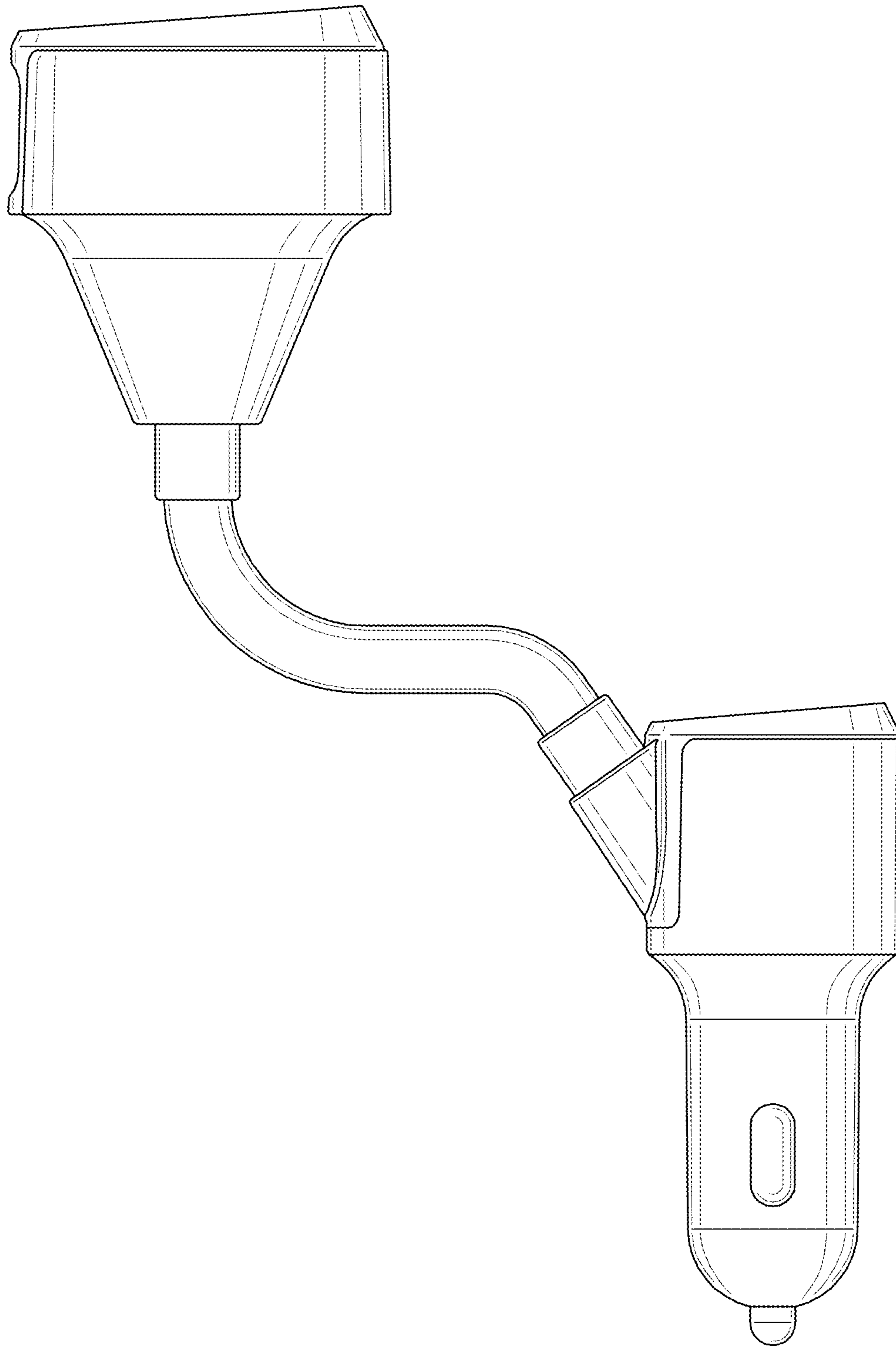


FIG. 3

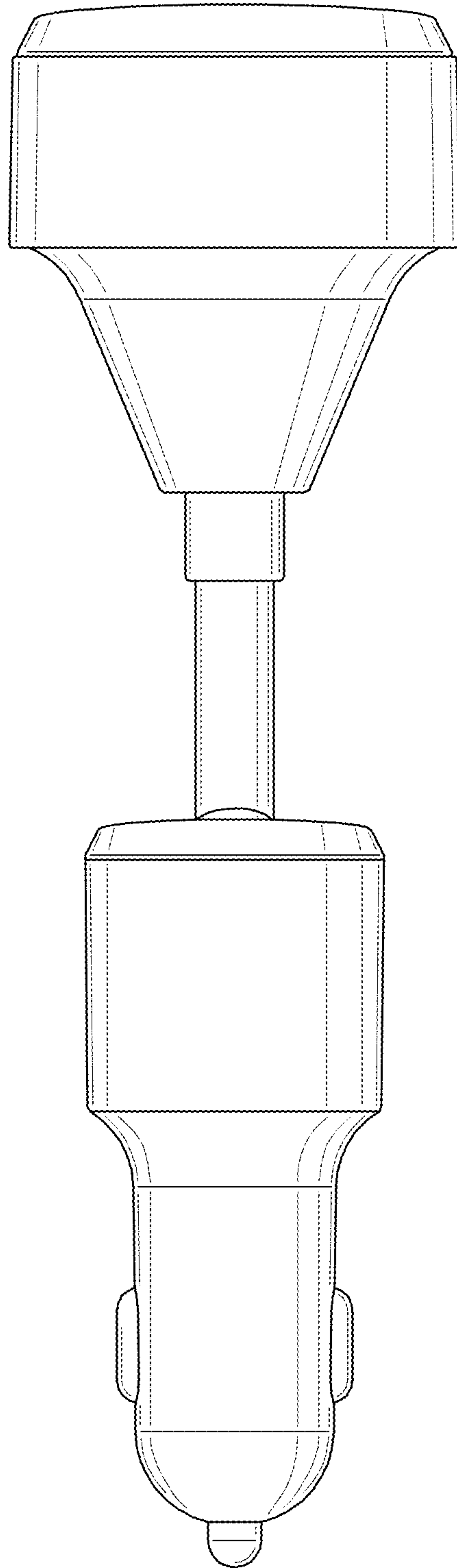


FIG. 4

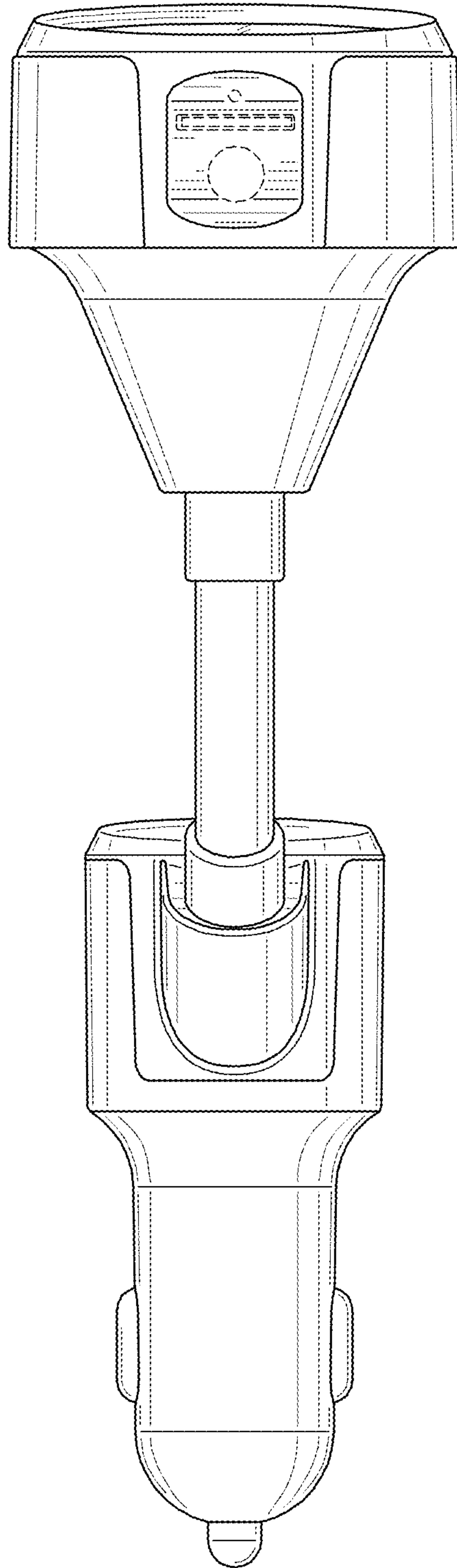


FIG. 5

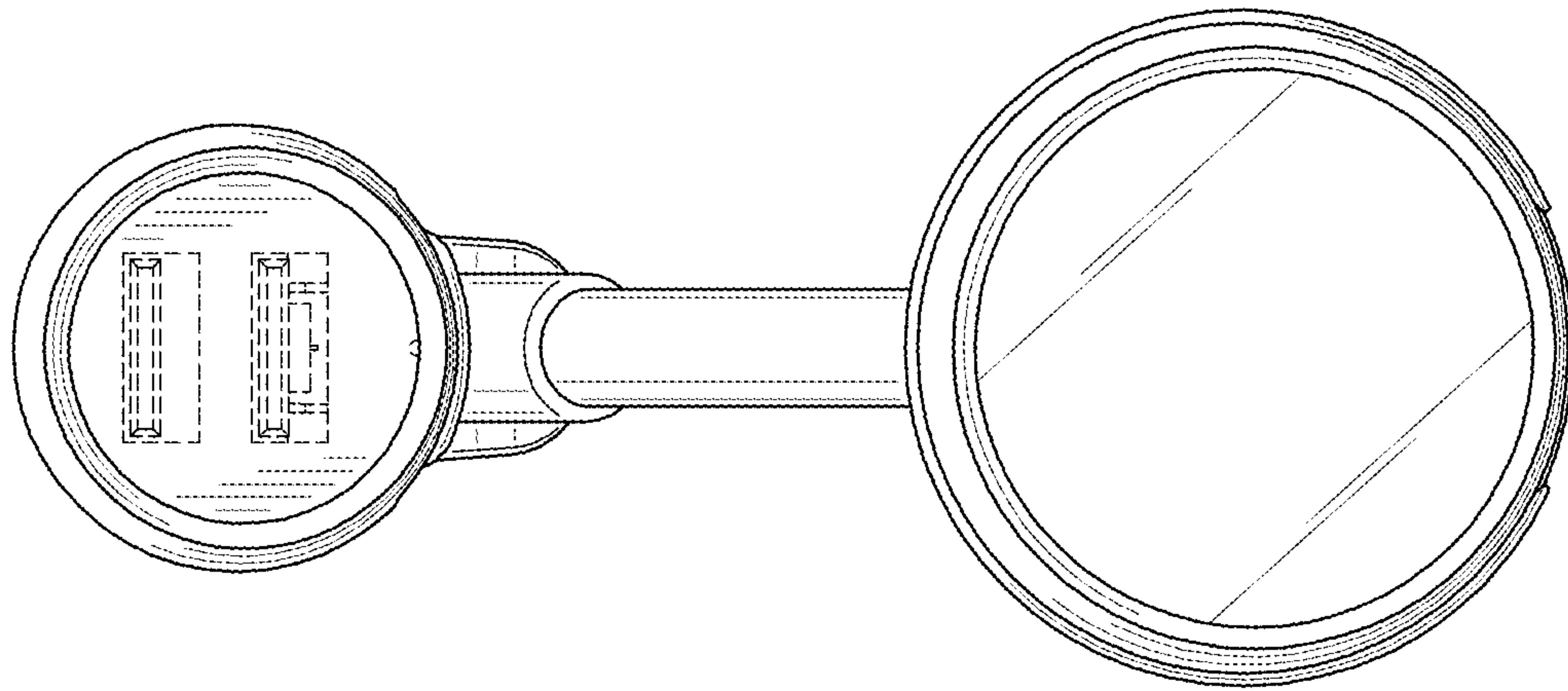


FIG. 6

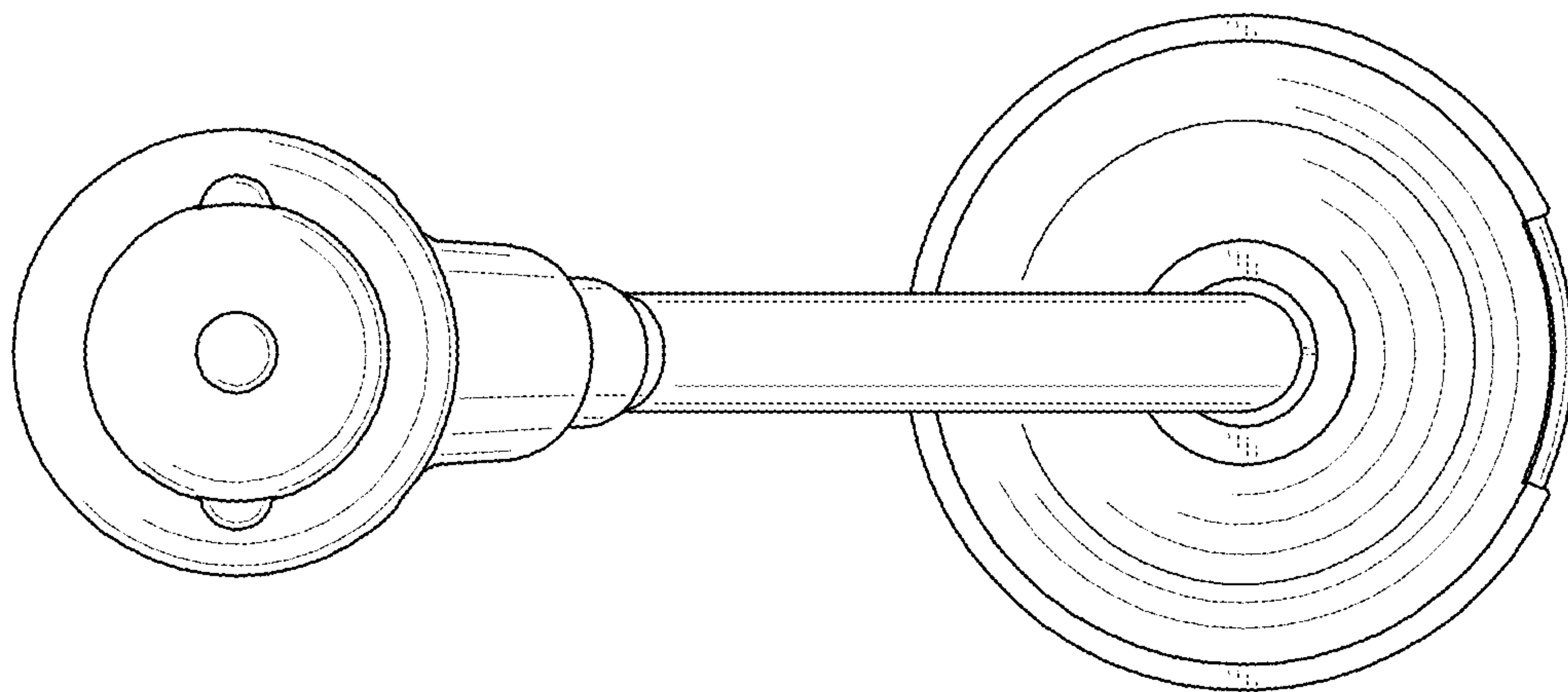


FIG. 7