



US00D882521S

(12) **United States Design Patent**
Aromin et al.

(10) **Patent No.:** **US D882,521 S**

(45) **Date of Patent:** **** Apr. 28, 2020**

(54) **GROUND FAULT CIRCUIT INTERRUPTER**

(71) Applicant: **SAMMAX International LTD**, Wan Chai (HK)

(72) Inventors: **Victor V Aromin**, West Warwick, RI (US); **Daniel R Paquette**, Woonsocket, RI (US); **Louis J Shatkin**, Warwick, RI (US)

(73) Assignee: **Samax International LTD**, Wan Chai (HK)

(**) Term: **15 Years**

(21) Appl. No.: **29/666,397**

(22) Filed: **Oct. 12, 2018**

(51) **LOC (12) Cl.** **13-03**

(52) **U.S. Cl.**
USPC **D13/138.2**

(58) **Field of Classification Search**
USPC D13/137.1-137.2, 138.1-138.2,
D13/139.1-139.8, 110, 160, 199
CPC H01H 3/14; H01H 73/00; H01H 9/00;
H01H 83/00; H01R 13/00; H01R
13/7132; H01R 13/7135; H02H 3/00
See application file for complete search history.

(56) **References Cited**

U.S. PATENT DOCUMENTS

5,661,623	A *	8/1997	McDonald	H01H 83/02 361/42
5,718,600	A *	2/1998	D'Amario, Jr.	H01R 4/2491 439/410
D414,747	S *	10/1999	Aromin	D13/160
D432,990	S *	10/2000	Stekelenburg	D13/137.3
D434,010	S *	11/2000	Stekelenburg	D13/160
D451,481	S *	12/2001	MacKay	D13/160
6,392,563	B1 *	5/2002	Paquette	G08G 1/095 340/693.2
D511,468	S *	11/2005	Aromin	D10/78

D511,469	S *	11/2005	Aromin	D10/78
7,170,375	B2 *	1/2007	Chen	H01H 83/04 335/166
D579,881	S *	11/2008	Aromin	D13/160
D633,869	S *	3/2011	Aromin	D13/138.1
D635,937	S *	4/2011	Aromin	D13/138.1
D652,801	S *	1/2012	Zou	D13/139.8
8,390,404	B2 *	3/2013	Zou	H01R 13/7135 335/18
8,824,110	B2 *	9/2014	Zou	H02H 3/06 361/42
D727,185	S *	4/2015	Aromin	D10/78
D742,831	S *	11/2015	Yu	D13/139.6
9,478,382	B1 *	10/2016	Aromin	H01H 83/02
10,170,265	B2 *	1/2019	Li	H01H 71/0264

(Continued)

Primary Examiner — Rosemary K Tarcza

Assistant Examiner — Christy M Nemeth

(57) **CLAIM**

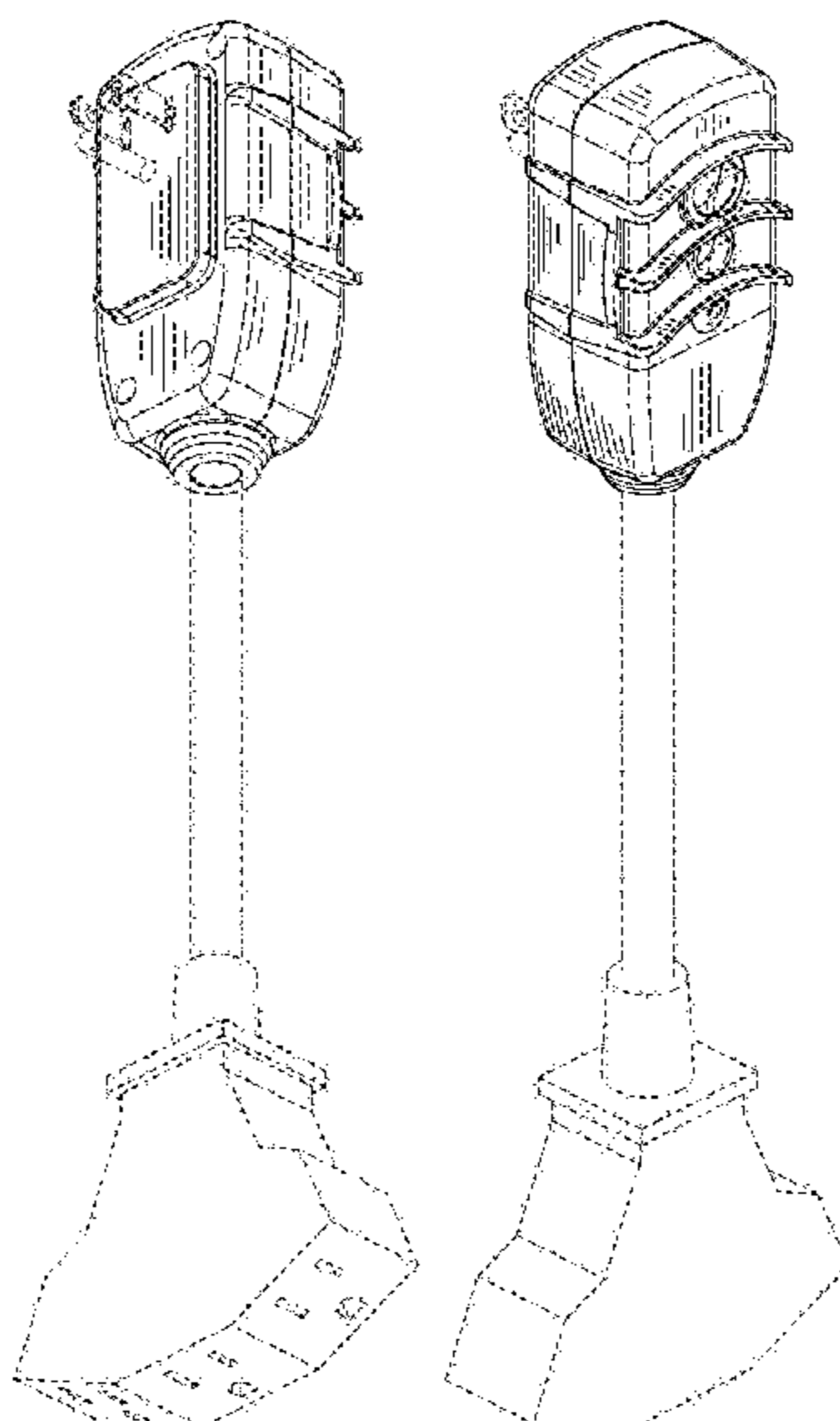
The ornamental design for a ground fault circuit interrupter, as shown and described.

DESCRIPTION

FIG. 1 is a bottom, rear, left-side perspective view of a ground fault circuit interrupter of our new design; FIG. 2 is a top, front, left-side perspective view thereof; FIG. 3 is a bottom, front, left-side perspective view thereof; FIG. 4 is a top view thereof; FIG. 5 is a left side view, the right side view being a mirror image thereof; FIG. 6 is a bottom view thereof; FIG. 7 is a front view thereof; and, FIG. 8 is a rear view thereof.

The broken lines in the drawings are for the purpose of illustrating environmental subject matter and portions of the ground fault circuit interrupter that form no part of the claimed design.

1 Claim, 4 Drawing Sheets



(56)

References Cited

U.S. PATENT DOCUMENTS

2018/0302997 A1* 10/2018 Aromin H01R 13/5202
2019/0032782 A1* 1/2019 Aromin F16J 15/04

* cited by examiner

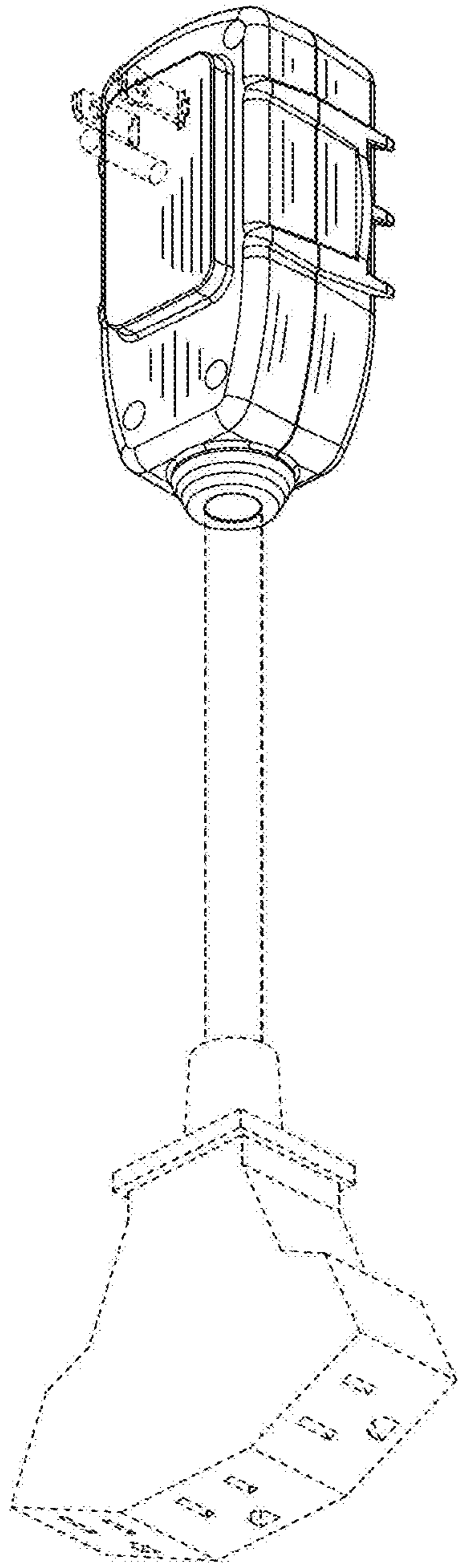


FIG. 1

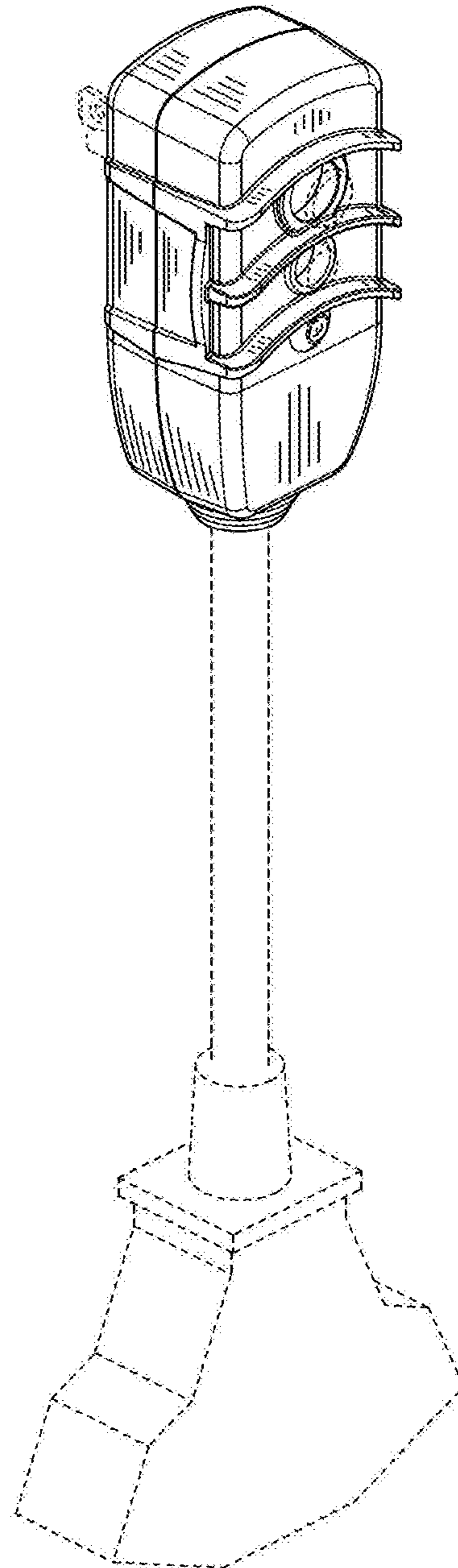


FIG. 2

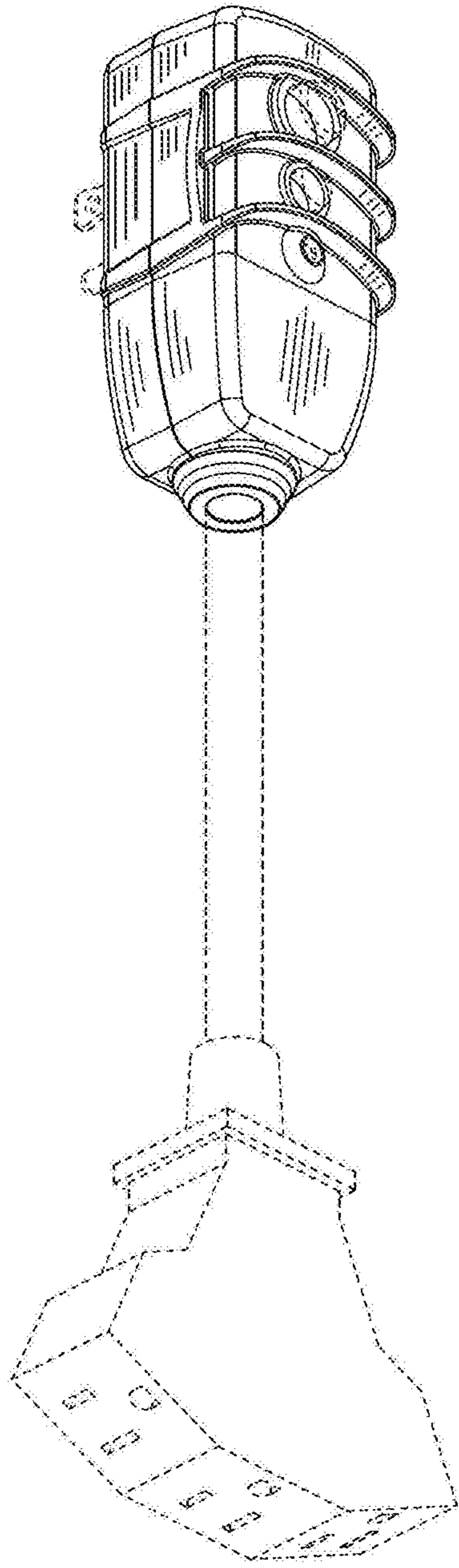


FIG. 3

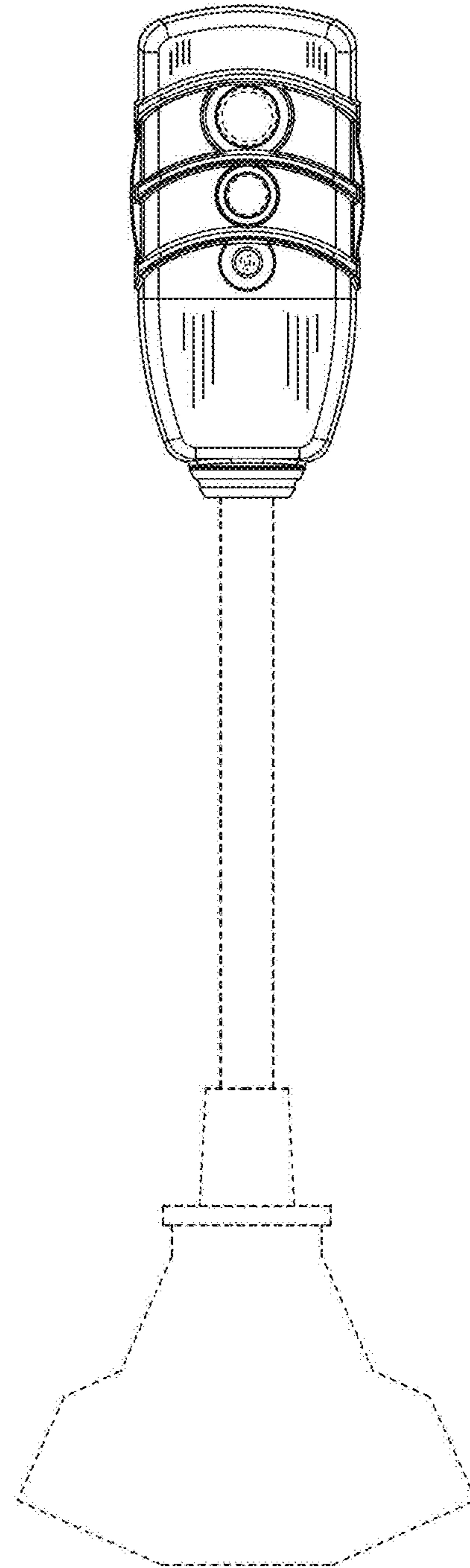


FIG. 4

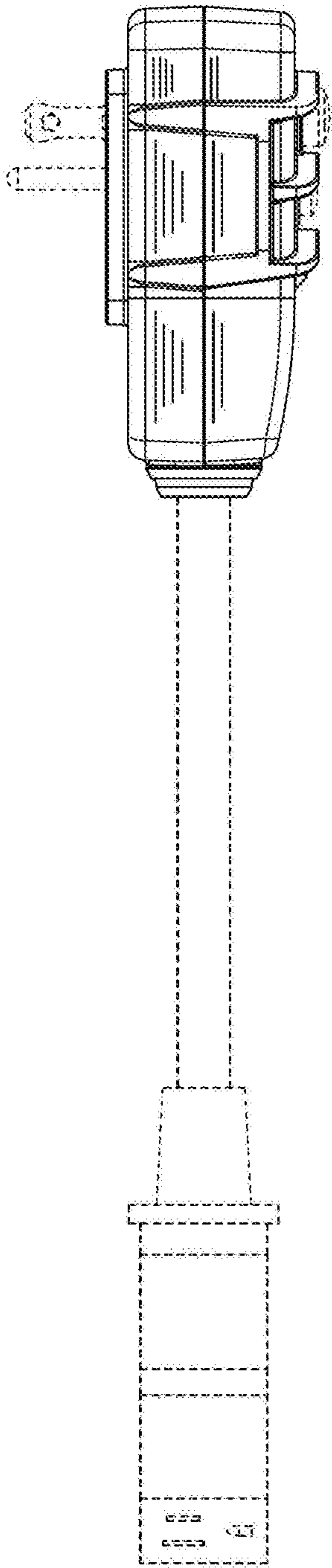


FIG. 5

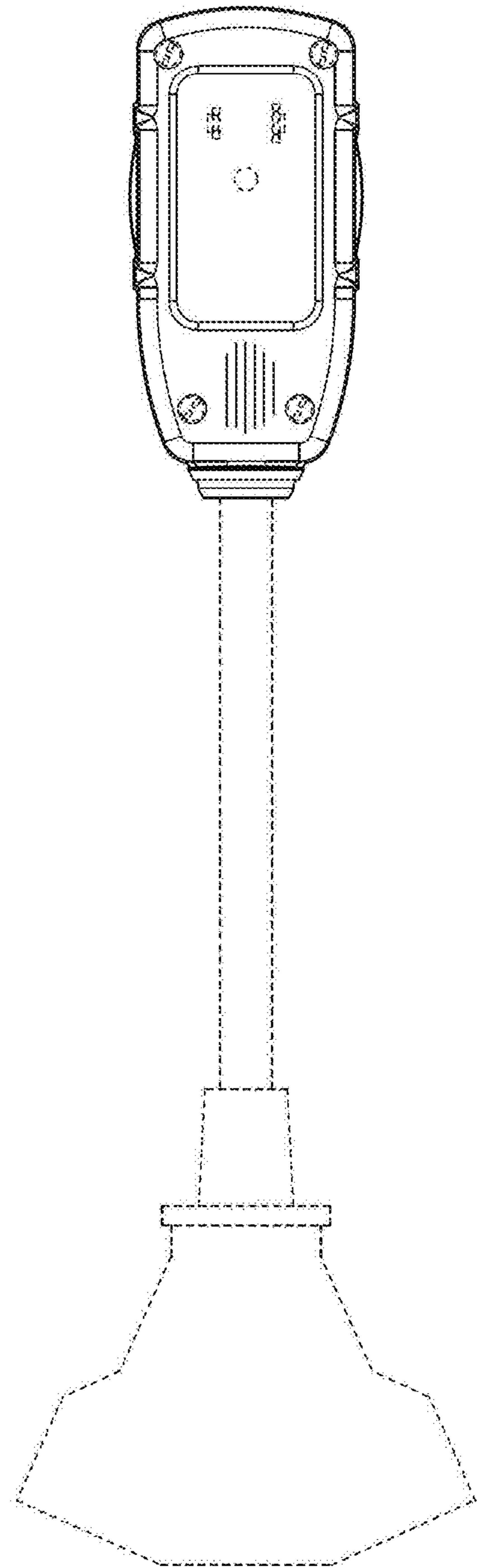


FIG. 6

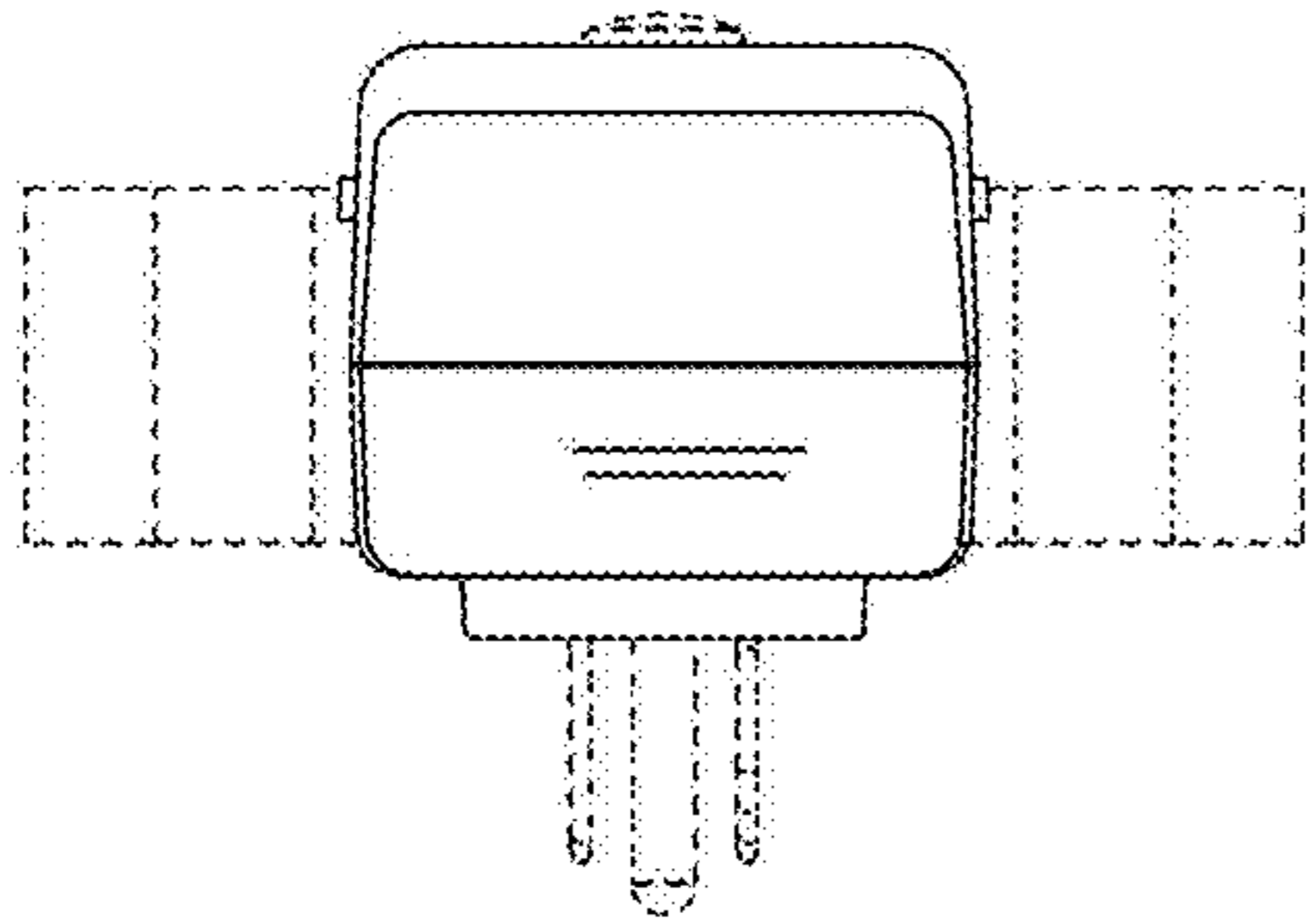


FIG. 7

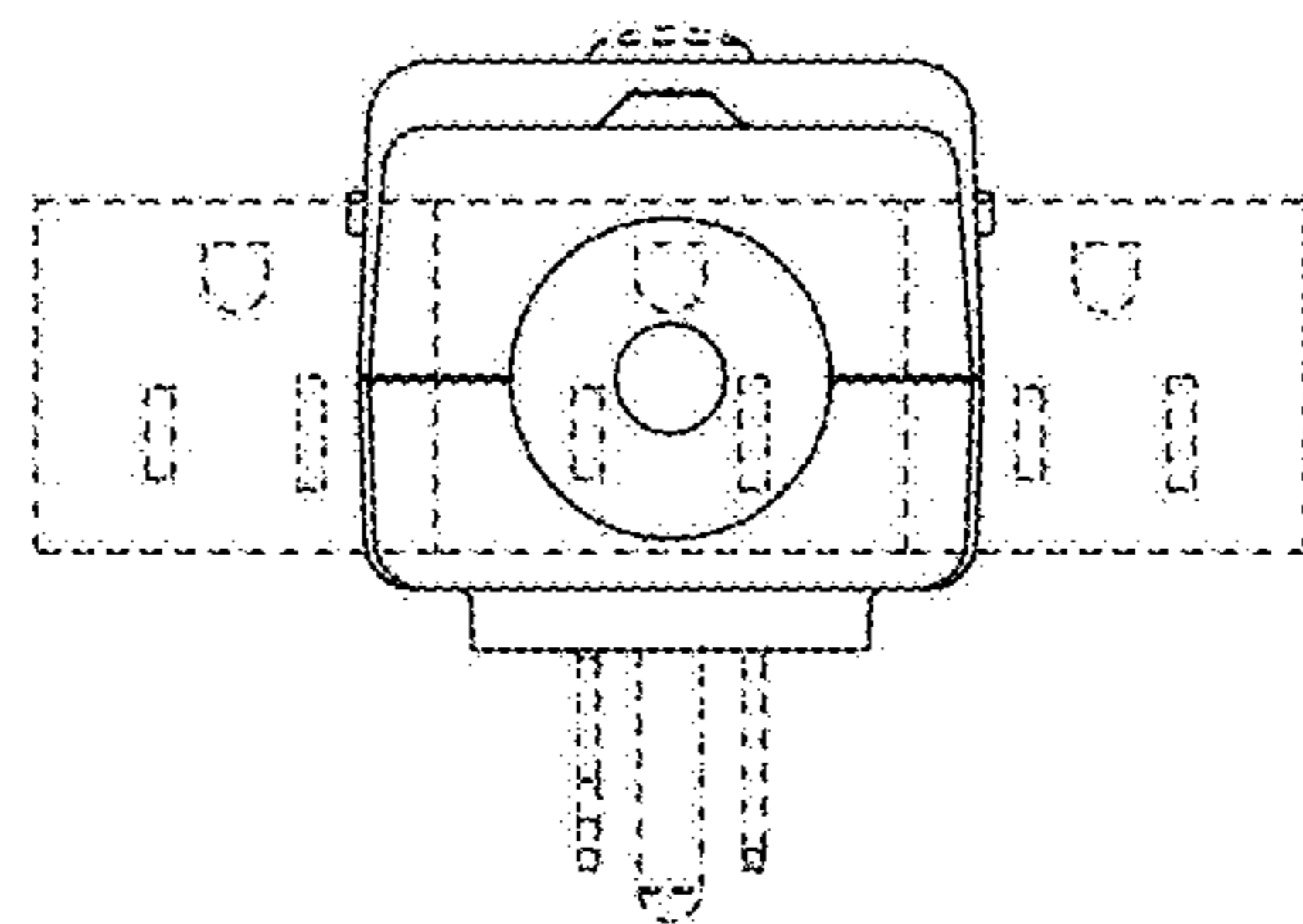


FIG. 8