



US00D882520S

(12) **United States Design Patent**
Little

(10) **Patent No.:** **US D882,520 S**

(45) **Date of Patent:** **** Apr. 28, 2020**

(54) **PLUG ADAPTOR**

(71) Applicant: **DG INTERNATIONAL HOLDINGS LIMITED**, London (GB)

(72) Inventor: **Simon Little**, Middlesex (GB)

(73) Assignee: **DG INTERNATIONAL HOLDINGS LIMITED**, London (GB)

(**) Term: **15 Years**

(21) Appl. No.: **29/663,154**

(22) Filed: **Sep. 12, 2018**

(51) **LOC (12) Cl.** **13-03**

(52) **U.S. Cl.**
USPC **D13/137.2**

(58) **Field of Classification Search**
USPC D13/107–110, 137.1–137.4, 138.1–138.2,
D13/139.1–139.8, 149–157, 199, 133;
D14/432, 433, 435.1; D8/350, 353–356
CPC H01R 25/00; H01R 25/003; H01R 25/006;
H01R 11/00; H01R 9/00; H01R 13/5845;
H01R 13/72; H01R 13/46; H01R 31/06;
H01R 24/28; H02J 2007/0062; H01B
7/2806; A61F 2/962
See application file for complete search history.

(56) **References Cited**

U.S. PATENT DOCUMENTS

D707,626 S * 6/2014 Atkinson D13/110
9,083,125 B2 * 7/2015 Rogers H01R 27/00

D818,963 S * 5/2018 Little D13/137.2
D826,858 S * 8/2018 Little D13/137.2
D826,859 S * 8/2018 Little D13/137.2
D835,042 S * 12/2018 Qiu D13/137.2
D835,043 S * 12/2018 Liao D13/137.3
D836,555 S * 12/2018 Xu D13/137.2
D845,898 S * 4/2019 Laffon de Mazieres D13/110
D849,687 S * 5/2019 Dai D13/137.2
D851,596 S * 6/2019 Koch D13/137.2
D858,439 S * 9/2019 Li D13/108
D859,311 S * 9/2019 Liao D13/137.3

* cited by examiner

Primary Examiner — Rosemary K Tarca

Assistant Examiner — Christy M Nemeth

(74) *Attorney, Agent, or Firm* — Nyemaster Goode P.C.

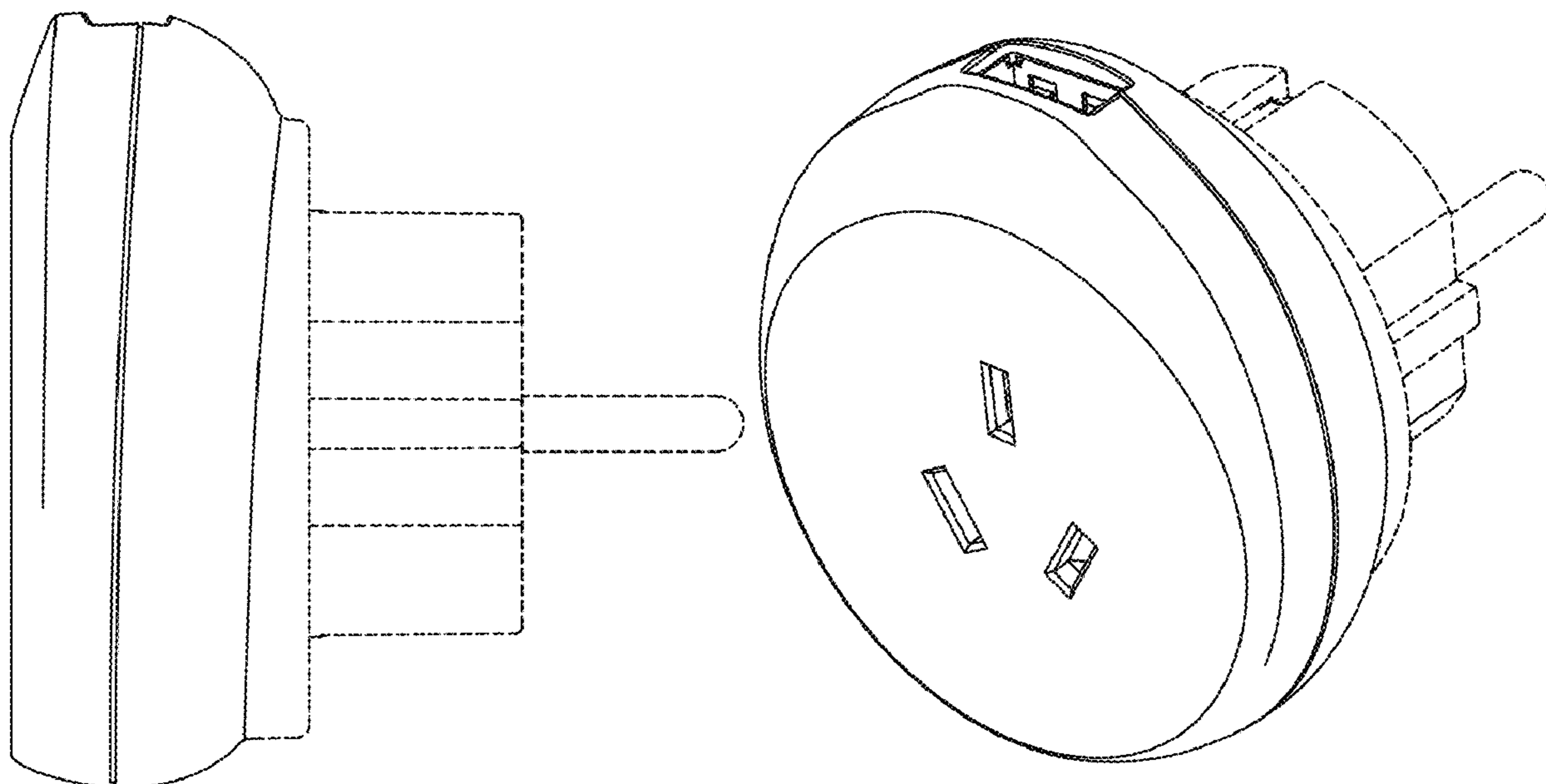
(57) **CLAIM**

The ornamental design for a plug adaptor, as shown and described.

DESCRIPTION

FIG. 1 is a front elevational view of a plug adaptor.
FIG. 2 is a rear elevational view of the plug adaptor.
FIG. 3 is a top plan view of the plug adaptor.
FIG. 4 is a bottom plan view of the plug adaptor.
FIG. 5 is a left-side elevational view of the plug adaptor.
FIG. 6 is a right-side elevational view of the plug adaptor;
and,
FIG. 7 is a perspective view of the plug adaptor.
The broken lines in the drawings are for the purpose of illustrating environmental subject matter that forms no part of the claimed design.

1 Claim, 7 Drawing Sheets



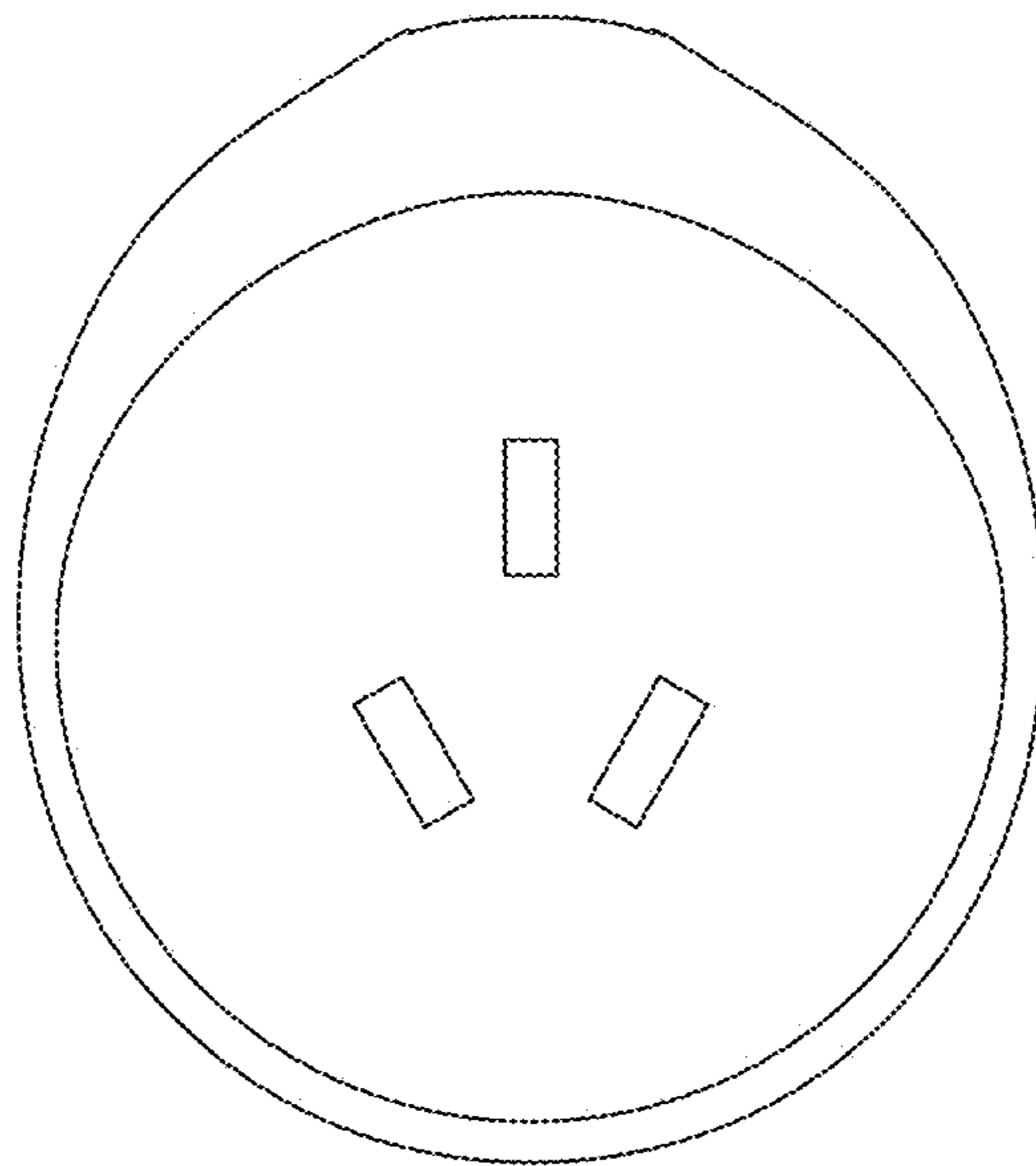


FIG. 1

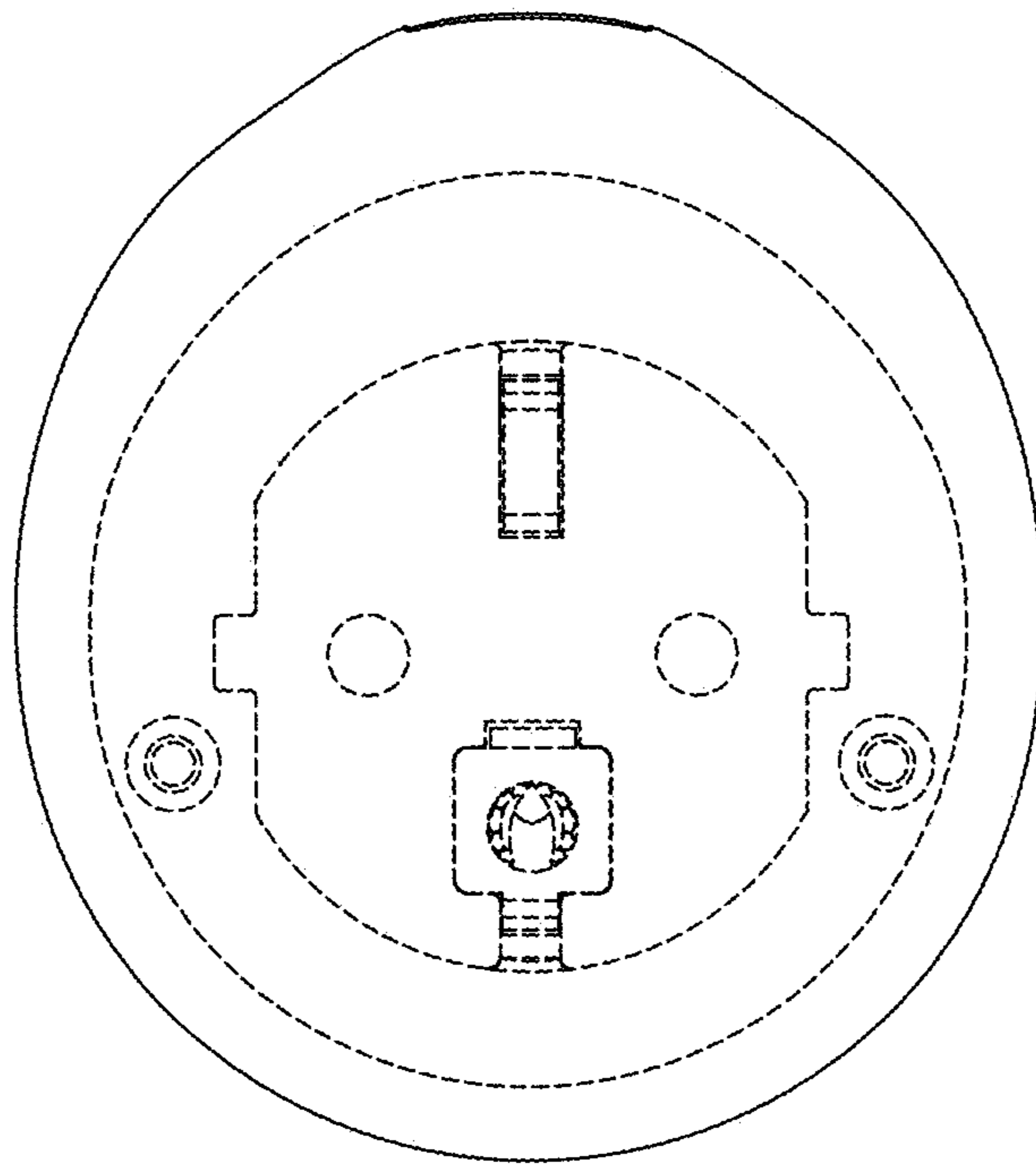


FIG. 2

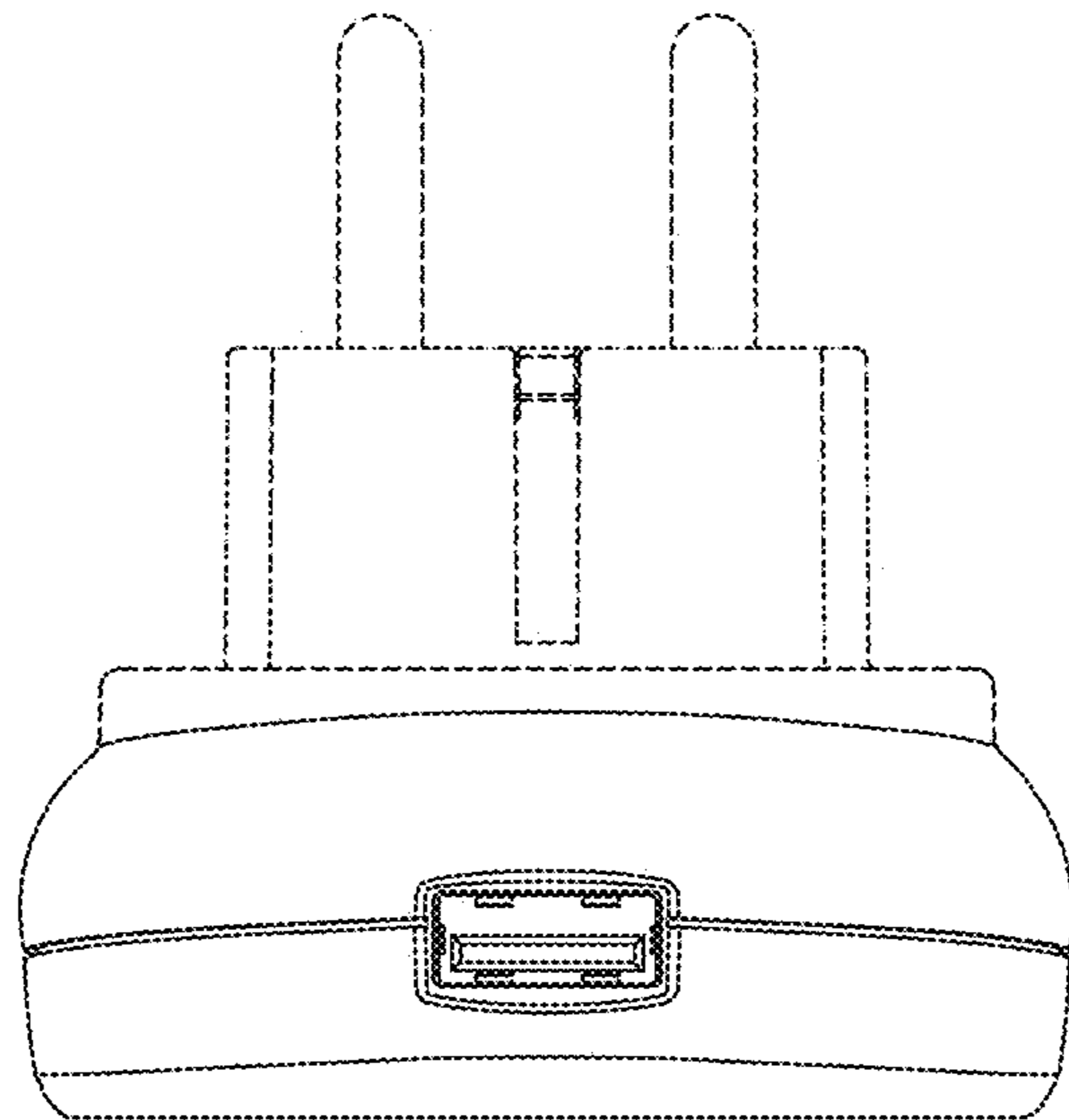


FIG. 3

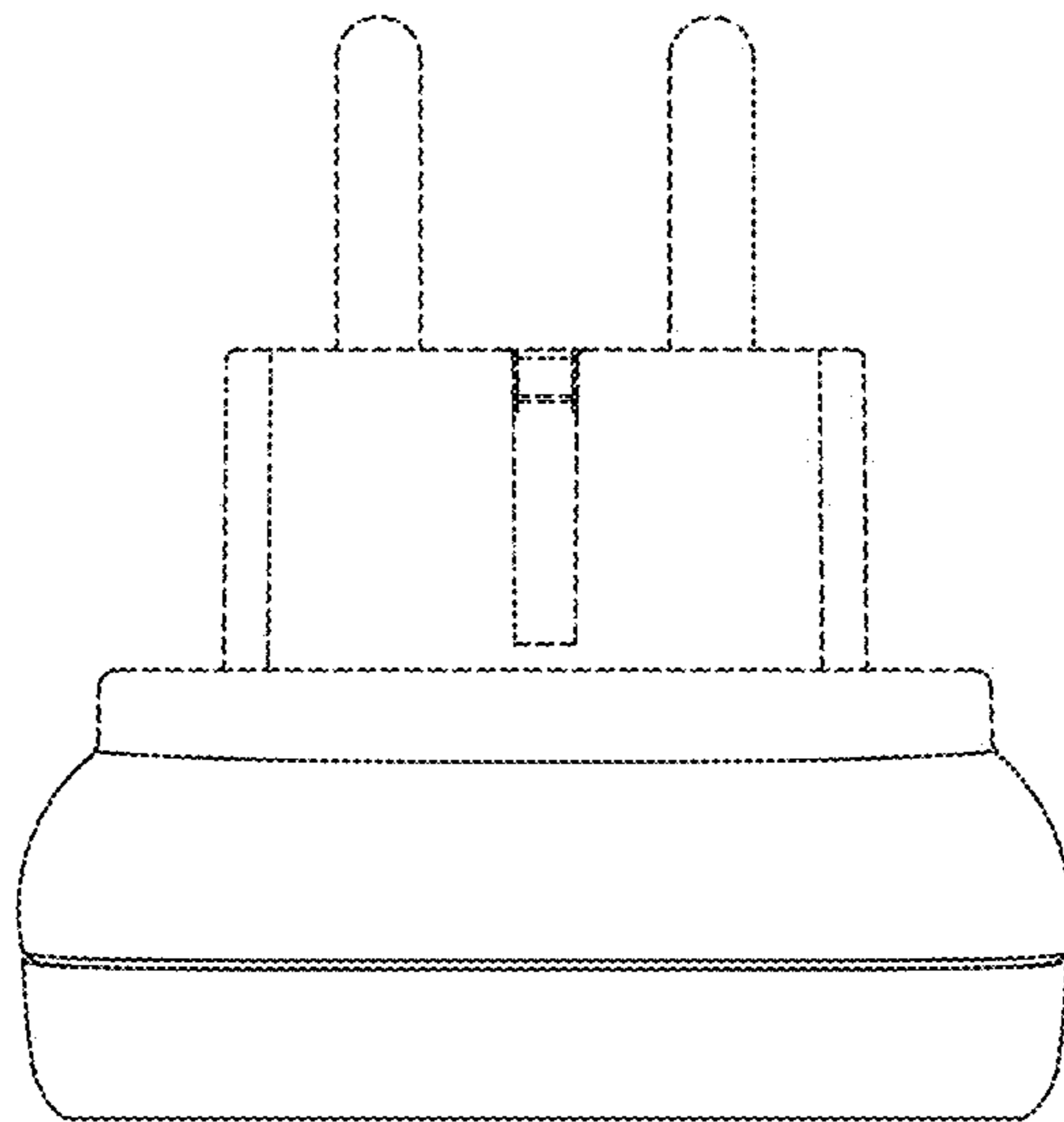


FIG. 4

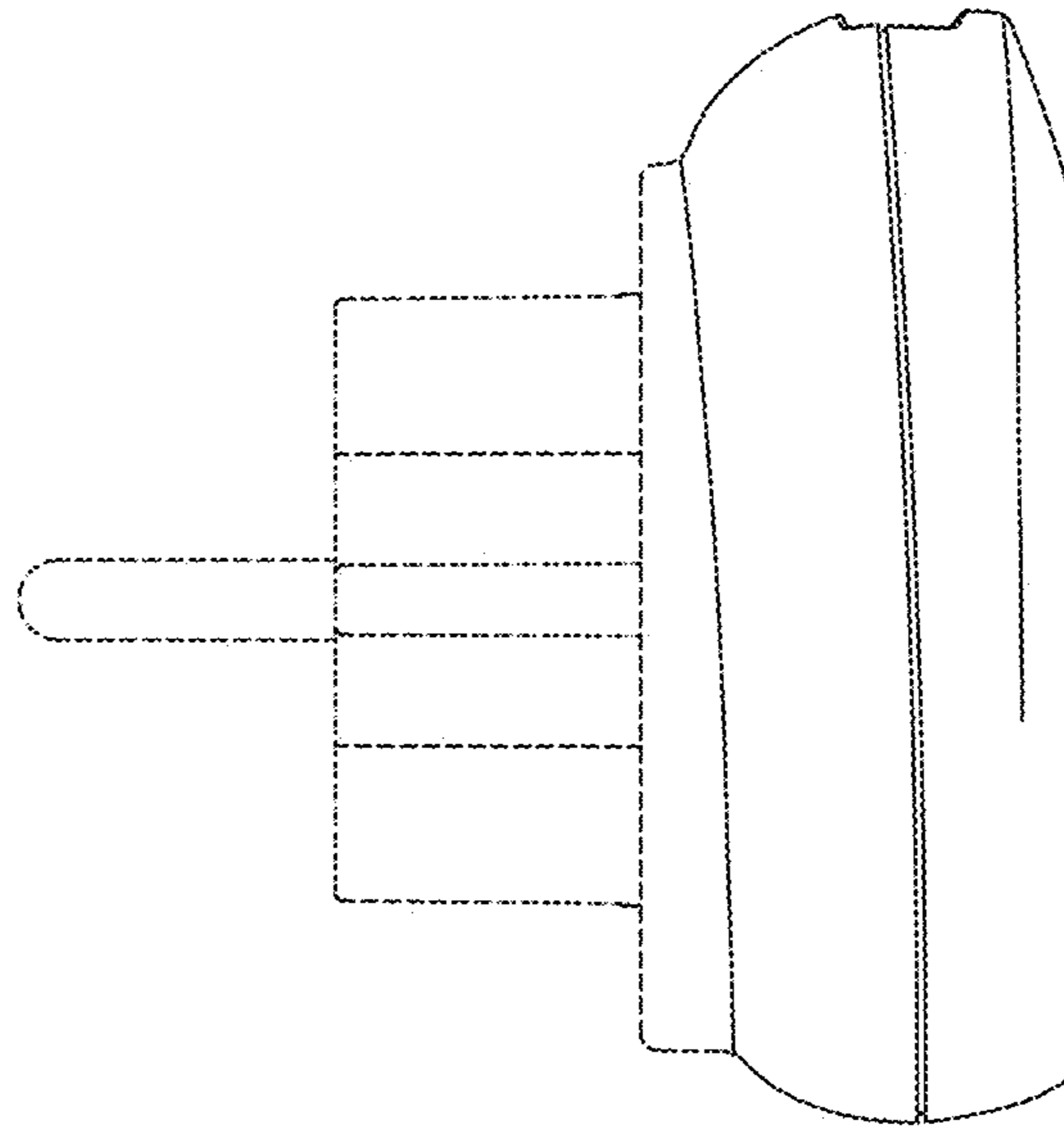


FIG. 5

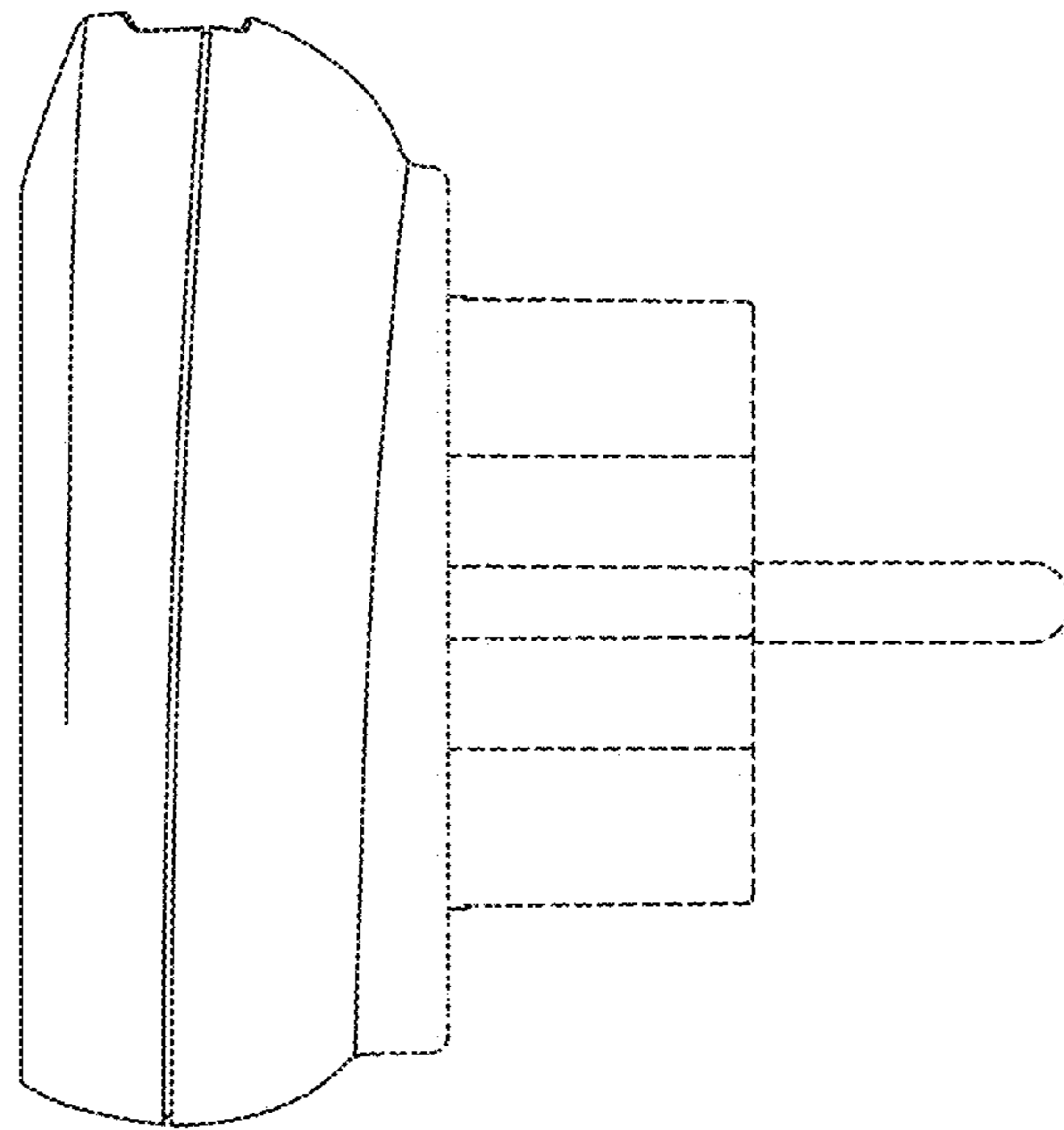


FIG. 6

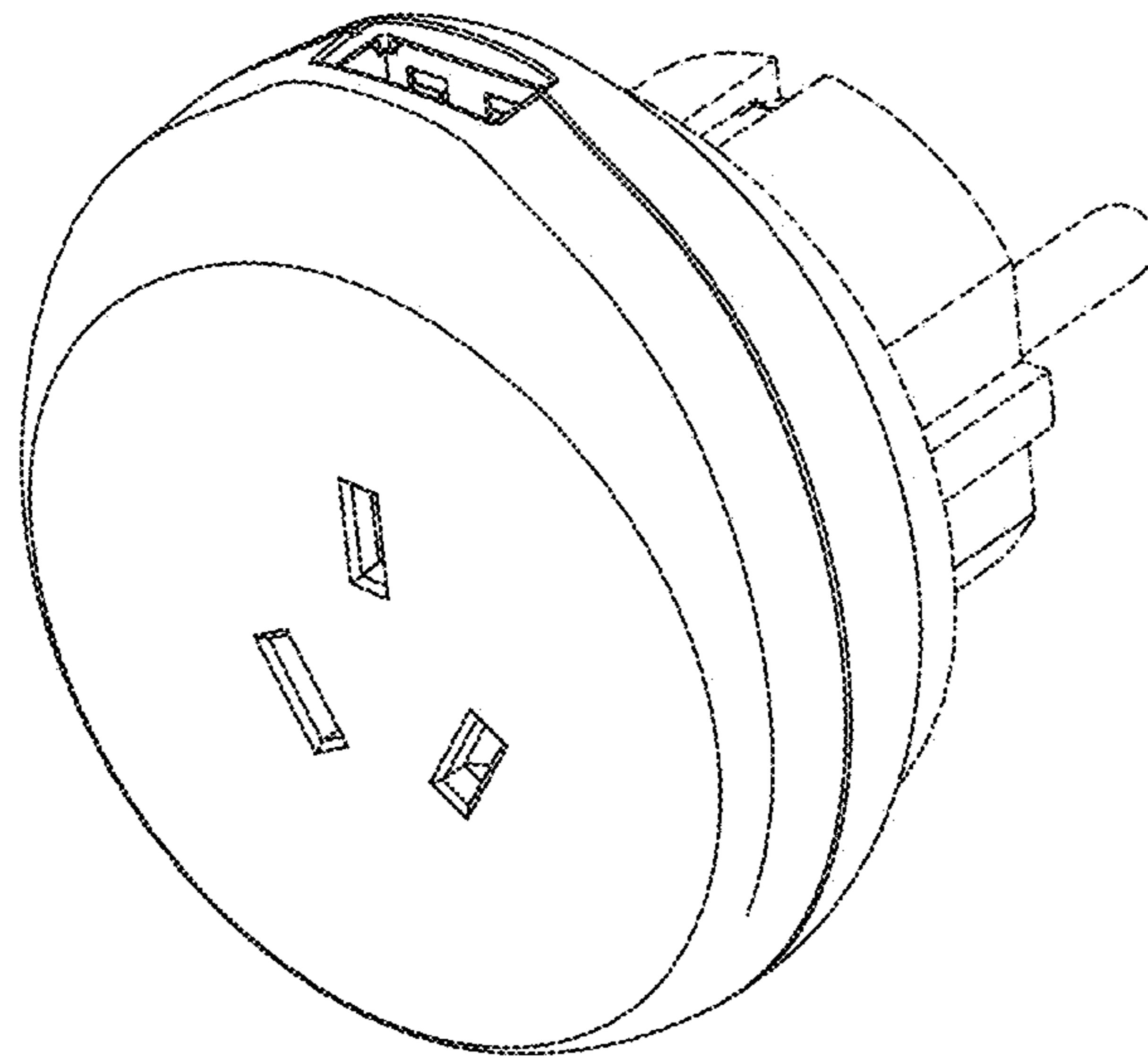


FIG. 7