



US00D882519S

(12) **United States Design Patent**  
**Mahajanshetty et al.**

(10) **Patent No.:** **US D882,519 S**  
(45) **Date of Patent:** **\*\* Apr. 28, 2020**

(54) **CONNECTOR**

(71) Applicant: **Molex, LLC**, Lisle, IL (US)

(72) Inventors: **Shivasharan Basavaraj Mahajanshetty**, Bengaluru (IN);  
**Joseph Comerci**, Lisle, IL (US); **Lay Khim Ang**, Republic of Singapore (SG)

(73) Assignee: **Molex, LLC**, Lisle, IL (US)

(\*\*) Term: **15 Years**

(21) Appl. No.: **29/674,637**

(22) Filed: **Dec. 21, 2018**

(51) **LOC (12) Cl.** ..... **13-03**

(52) **U.S. Cl.**  
USPC ..... **D13/133**

(58) **Field of Classification Search**  
USPC ..... D13/107, 108, 110, 123, 133, 146, 147,  
D13/149, 154, 158–160, 173, 177, 178,  
D13/184, 199

(Continued)

(56) **References Cited**

**U.S. PATENT DOCUMENTS**

D334,914 S \* 4/1993 Walter ..... D13/147  
5,595,509 A \* 1/1997 Fry ..... H01R 13/4362  
439/595

(Continued)

**OTHER PUBLICATIONS**

Molex CP 3.3 W/W Dual Row Rec. Housing, dated Nov. 22, 2017, [online], [site visited Jan. 15, 2020]. Available from Internet, URL: [https://www.molex.com/pdm\\_docs/sd/5056050402\\_sd.pdf](https://www.molex.com/pdm_docs/sd/5056050402_sd.pdf) (Year: 2017).\*

(Continued)

*Primary Examiner* — Angela J Lee

*Assistant Examiner* — Shawn T Gingrich

(74) *Attorney, Agent, or Firm* — Banner & Witcoff, Ltd.

(57) **CLAIM**

The ornamental design for a connector, as shown and described.

**DESCRIPTION**

FIG. 1 is a front top perspective view of a connector showing our new design;

FIG. 2 is a front bottom perspective view thereof;

FIG. 3 is a rear perspective view thereof;

FIG. 4 is a front view thereof;

FIG. 5 is a rear view thereof;

FIG. 6 is a right side view thereof;

FIG. 7 is a left side view thereof;

FIG. 8 is a top view thereof;

FIG. 9 is a bottom view thereof;

FIG. 10 is a front top perspective view of an alternate embodiment of a connector showing our new design;

FIG. 11 is a front bottom perspective view thereof;

FIG. 12 is a rear perspective view thereof;

FIG. 13 is a front view thereof;

FIG. 14 is a rear view thereof;

FIG. 15 is a right side view thereof;

FIG. 16 is a left side view thereof;

FIG. 17 is a top view thereof;

FIG. 18 is a bottom view thereof;

FIG. 19 is a front top perspective view of an alternate embodiment of a connector showing our new design;

FIG. 20 is a front bottom perspective view thereof;

FIG. 21 is a rear perspective view thereof;

FIG. 22 is a front view thereof;

FIG. 23 is a rear view thereof;

FIG. 24 is a right side view thereof;

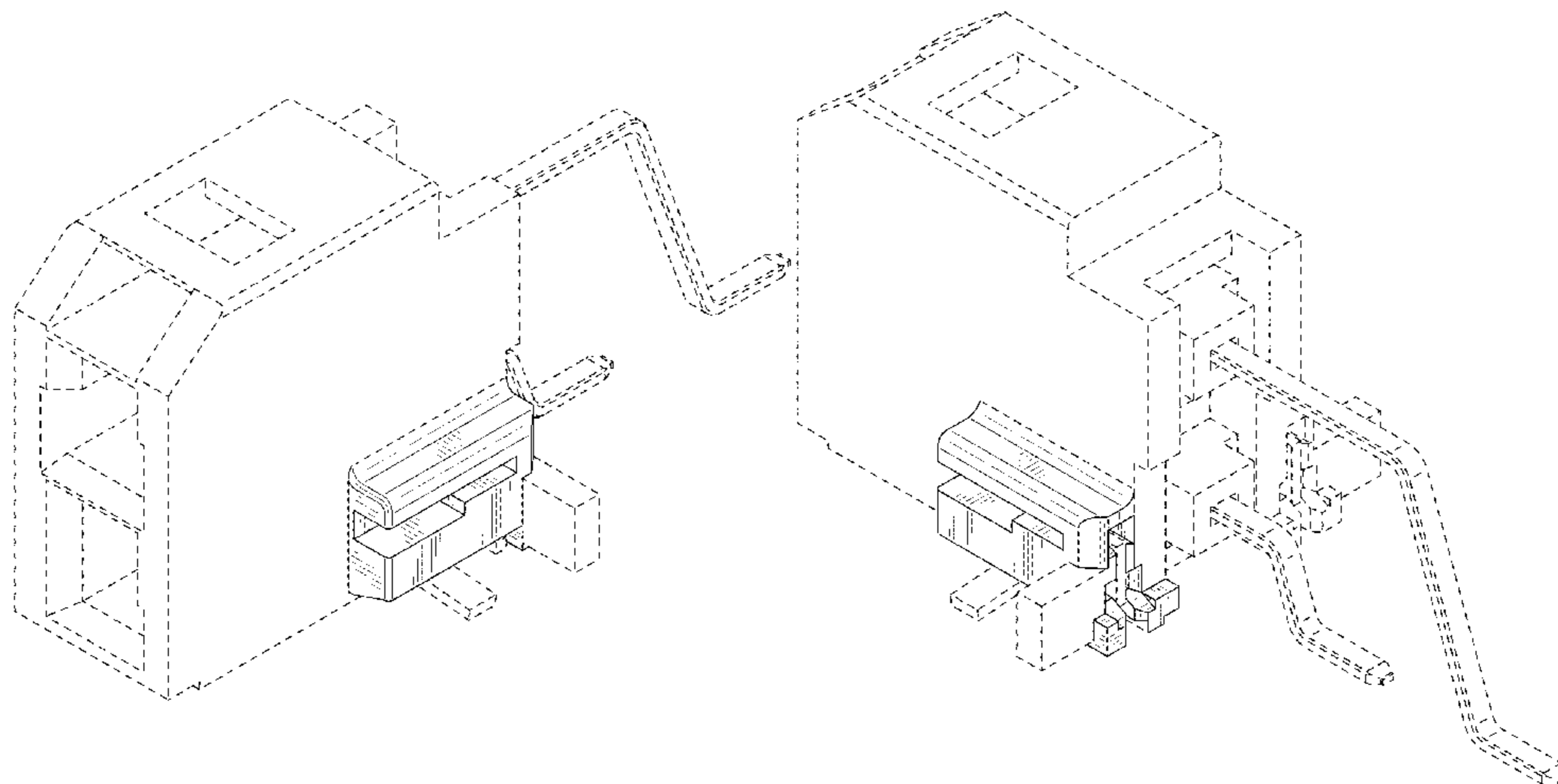
FIG. 25 is a left side view thereof;

FIG. 26 is a top view thereof; and,

FIG. 27 is a bottom view thereof.

The broken lines immediately adjacent to the shaded areas represent the bounds of the claimed design and form no part

(Continued)



thereof. The broken lines depicting the remainder of the connector show features that form no part of the claimed design.

**1 Claim, 27 Drawing Sheets**

(58) **Field of Classification Search**

CPC . H01H 9/28; H01H 9/283; H01R 9/00; H01R 12/00; H01R 13/00; H01R 13/436; H01R 13/62; H01R 13/627

See application file for complete search history.

(56) **References Cited**

U.S. PATENT DOCUMENTS

D494,137 S \* 8/2004 Fang ..... D13/133  
D494,141 S \* 8/2004 Spink, Jr. .... D13/147  
7,692,108 B1 \* 4/2010 Larranaga ..... H01H 9/283  
200/43,14  
D645,822 S \* 9/2011 Bachinski ..... D13/146  
D649,512 S \* 11/2011 Shimoji ..... D13/133  
D722,565 S \* 2/2015 Teramoto ..... D13/147  
D791,080 S \* 7/2017 Li ..... D13/133  
D791,704 S \* 7/2017 Li ..... D13/147

D792,853 S \* 7/2017 Li ..... D13/147  
D864,865 S \* 10/2019 Mouchet ..... D13/110  
2018/0277990 A1 \* 9/2018 Ho ..... H01R 13/6273

OTHER PUBLICATIONS

Molex; "CP-6.5 Header, 6.5mm Pitch, Dual Row, Vertical, Polarized, Positive Lock, Tray Packaging, 2 Circuits, Natural (White)"; Publication date unknown but prior to filing date of present application; Date Accessed: Dec. 18, 2018; URL: <<[https://www.molex.com/molex/products/datasheet.jsp?part=active/1510481211\\_PCB\\_HEADERS.xml](https://www.molex.com/molex/products/datasheet.jsp?part=active/1510481211_PCB_HEADERS.xml)>> .

Molex; "CP-6.5 Header, 6.50mm Pitch, Dual Row, Vertical, Polarized, Positive Lock, Tray Packaging, 4 Circuits, Natural (White)"; Publication date unknown but prior to filing date of present application; Date Accessed: Dec. 18, 2018; URL: <<[https://www.molex.com/molex/products/datasheet.jsp?part=active/15104811411\\_PCB\\_HEADERS.xml&channel=Product&Lang=en-US](https://www.molex.com/molex/products/datasheet.jsp?part=active/15104811411_PCB_HEADERS.xml&channel=Product&Lang=en-US)>> .

Molex; "CP-6.5 Header, 6.50mm Pitch, Dual Row, Vertical, Polarized, Positive Lock, Tray Packaging, 6 Circuits, Natural (White)"; Publication date unknown but prior to filing date of present application; Date Accessed: Dec. 18, 2018; URL: <<[https://www.molex.com/molex/products/datasheet.jsp?part=active/1510481611\\_PCB\\_HEADERS.xml&channel=Products&Lang=en-US](https://www.molex.com/molex/products/datasheet.jsp?part=active/1510481611_PCB_HEADERS.xml&channel=Products&Lang=en-US)>> .

\* cited by examiner

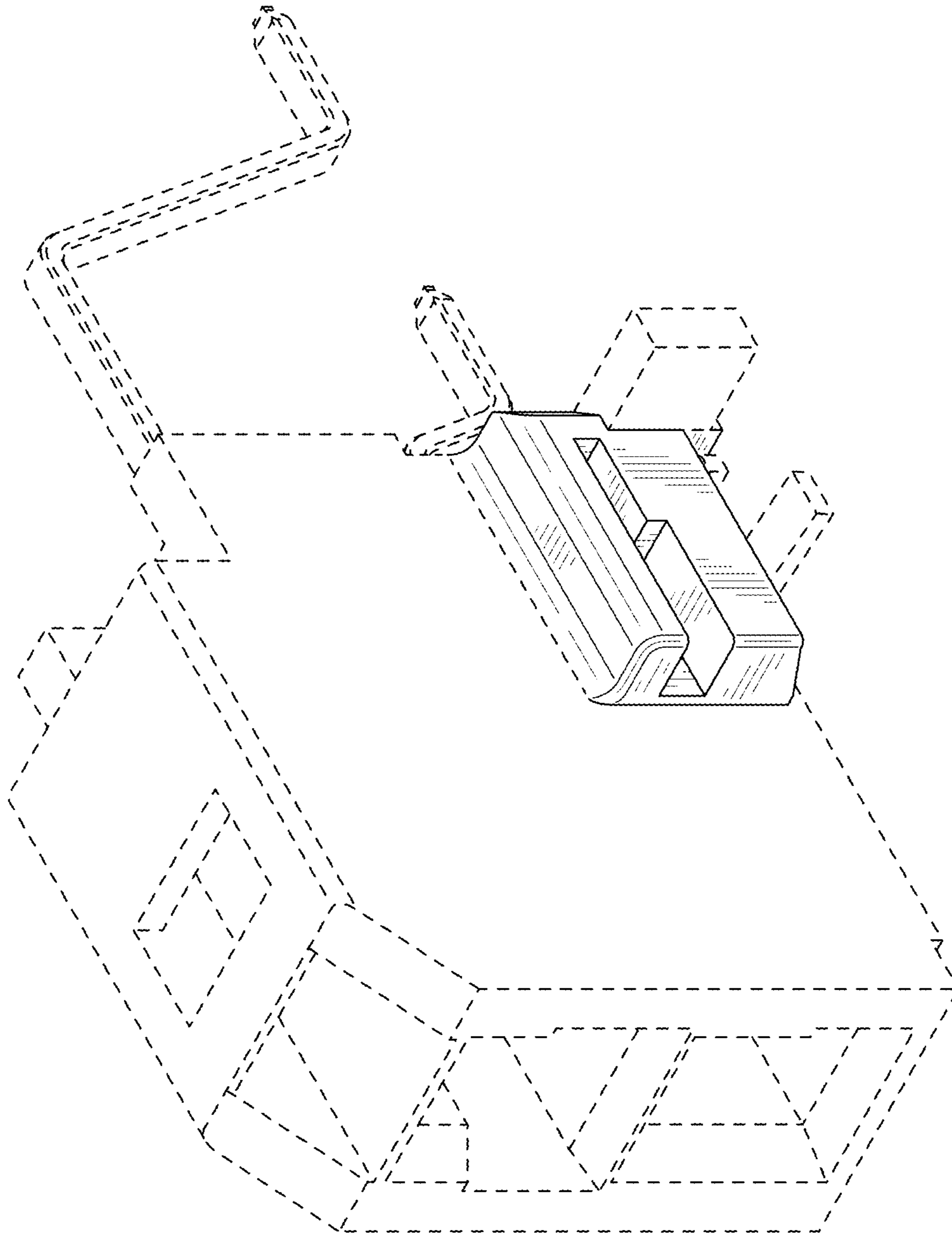


FIG. 1

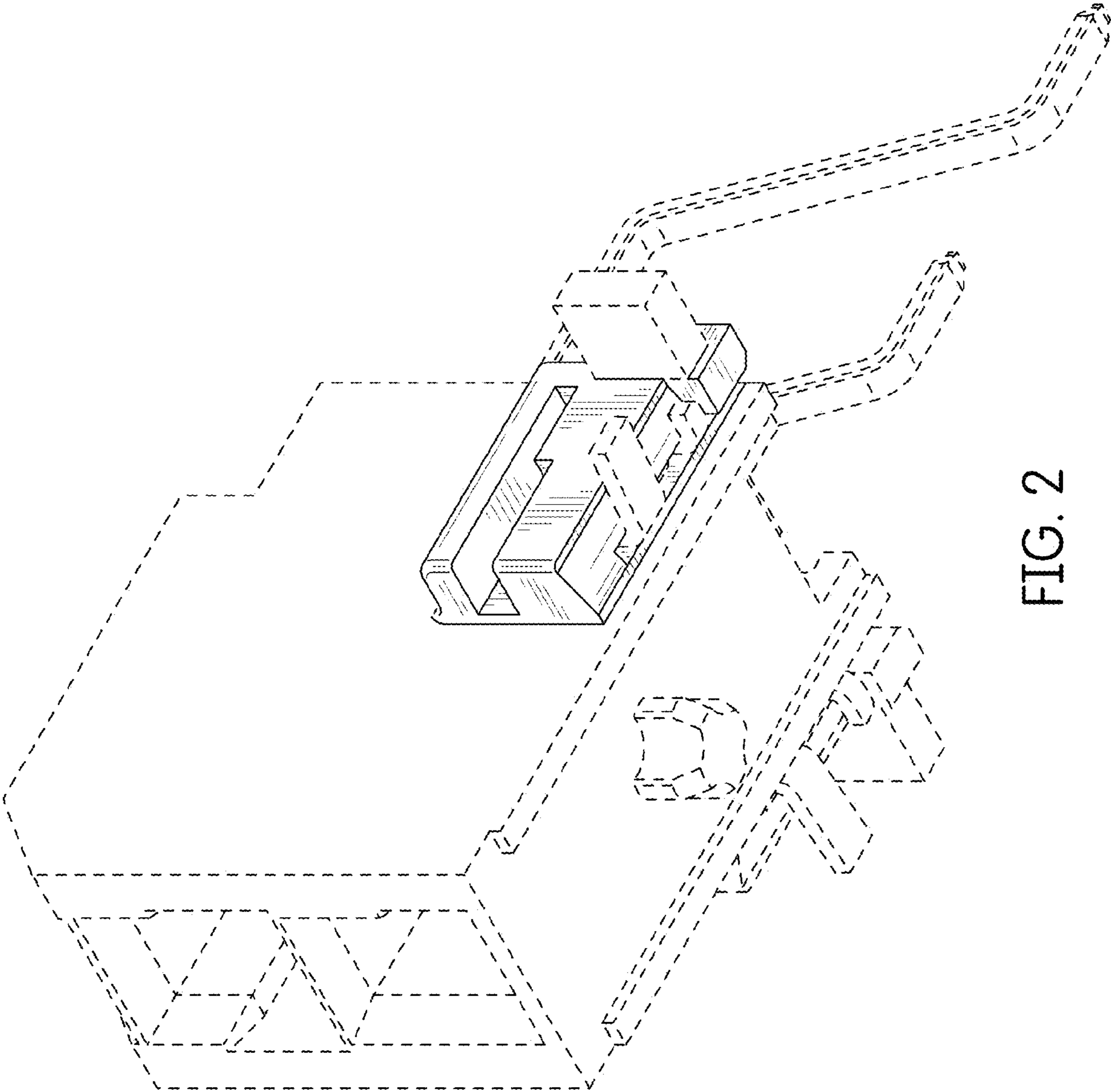


FIG. 2

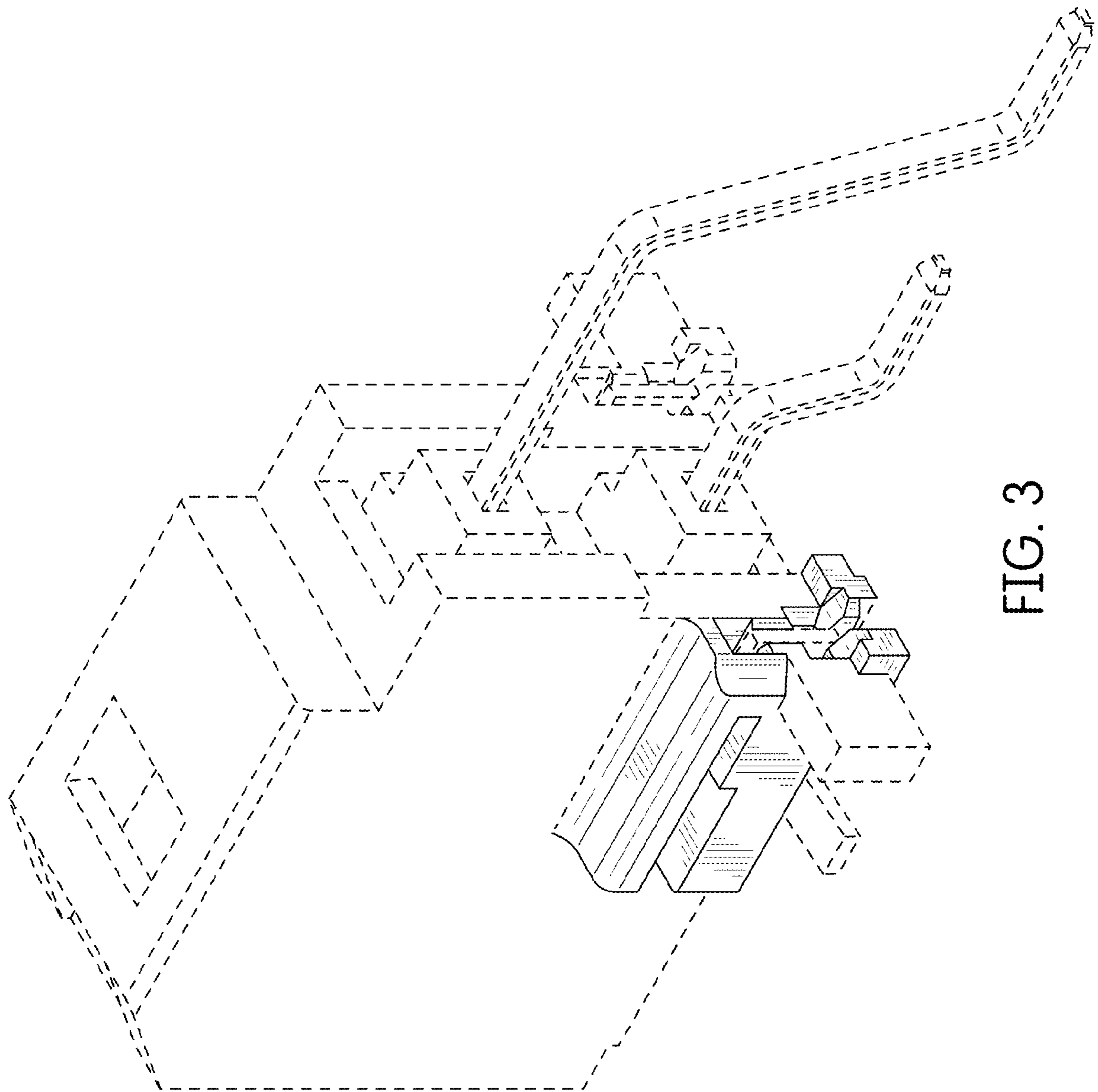


FIG. 3

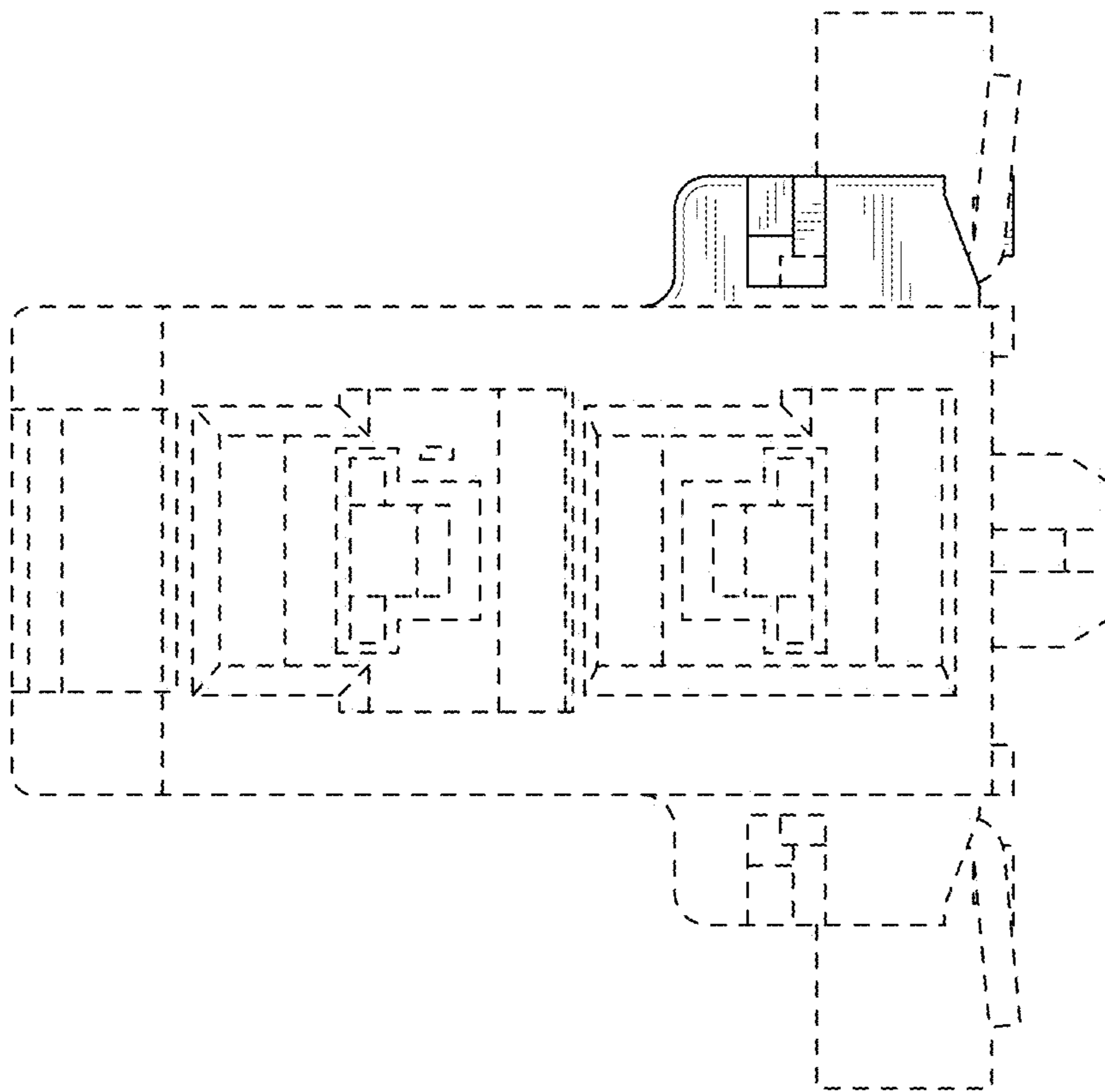


FIG. 4

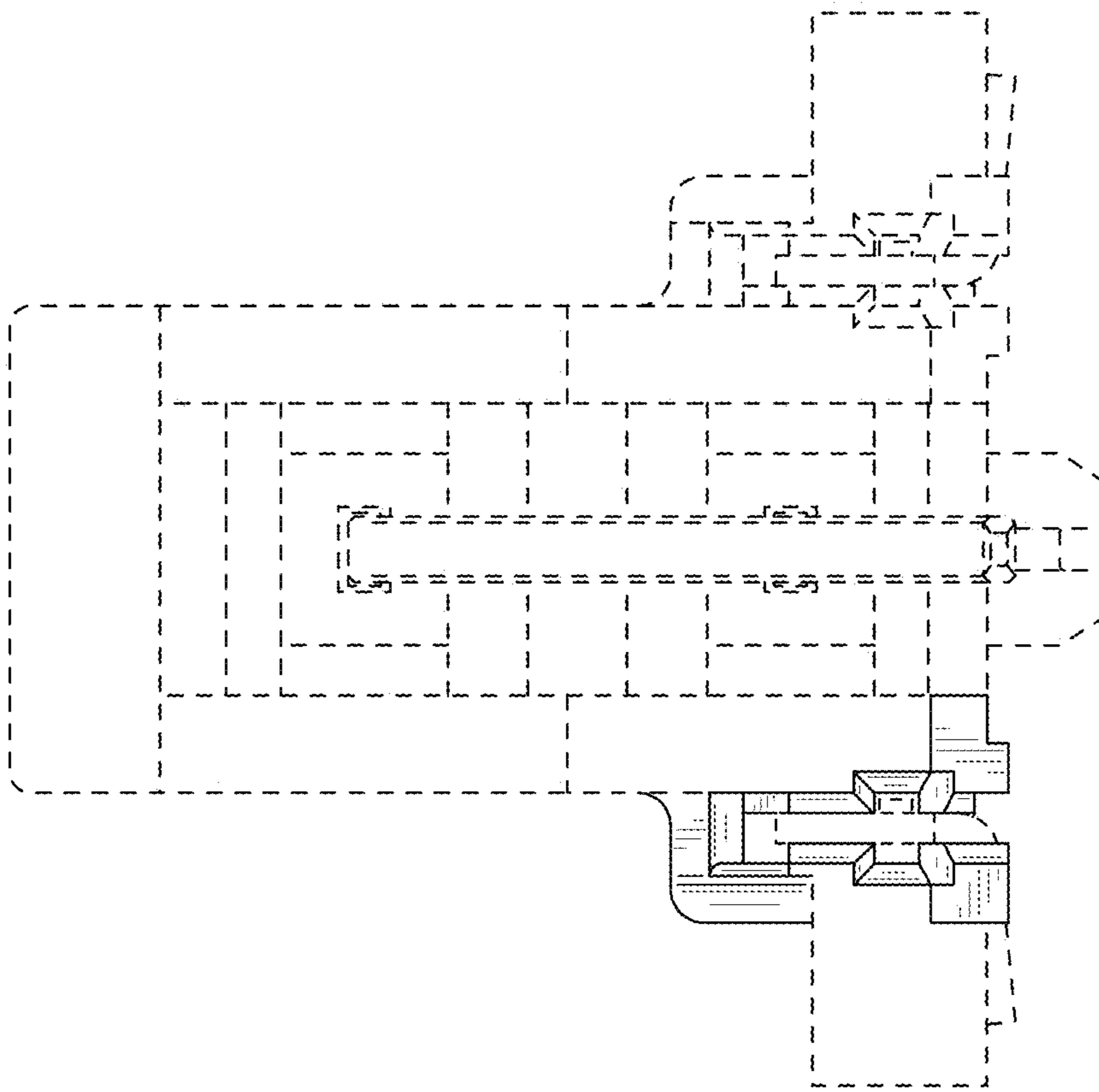


FIG. 5

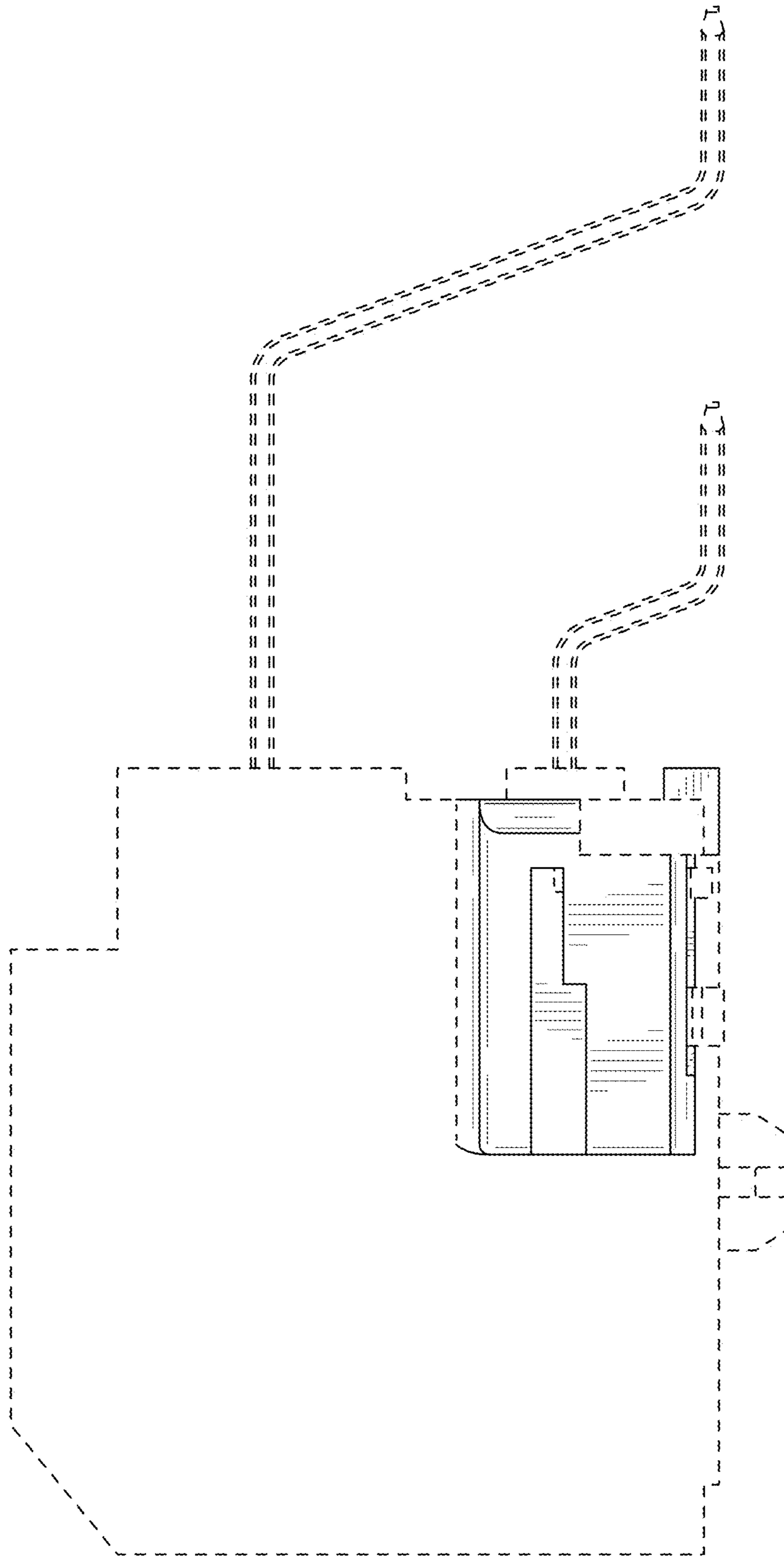


FIG. 6



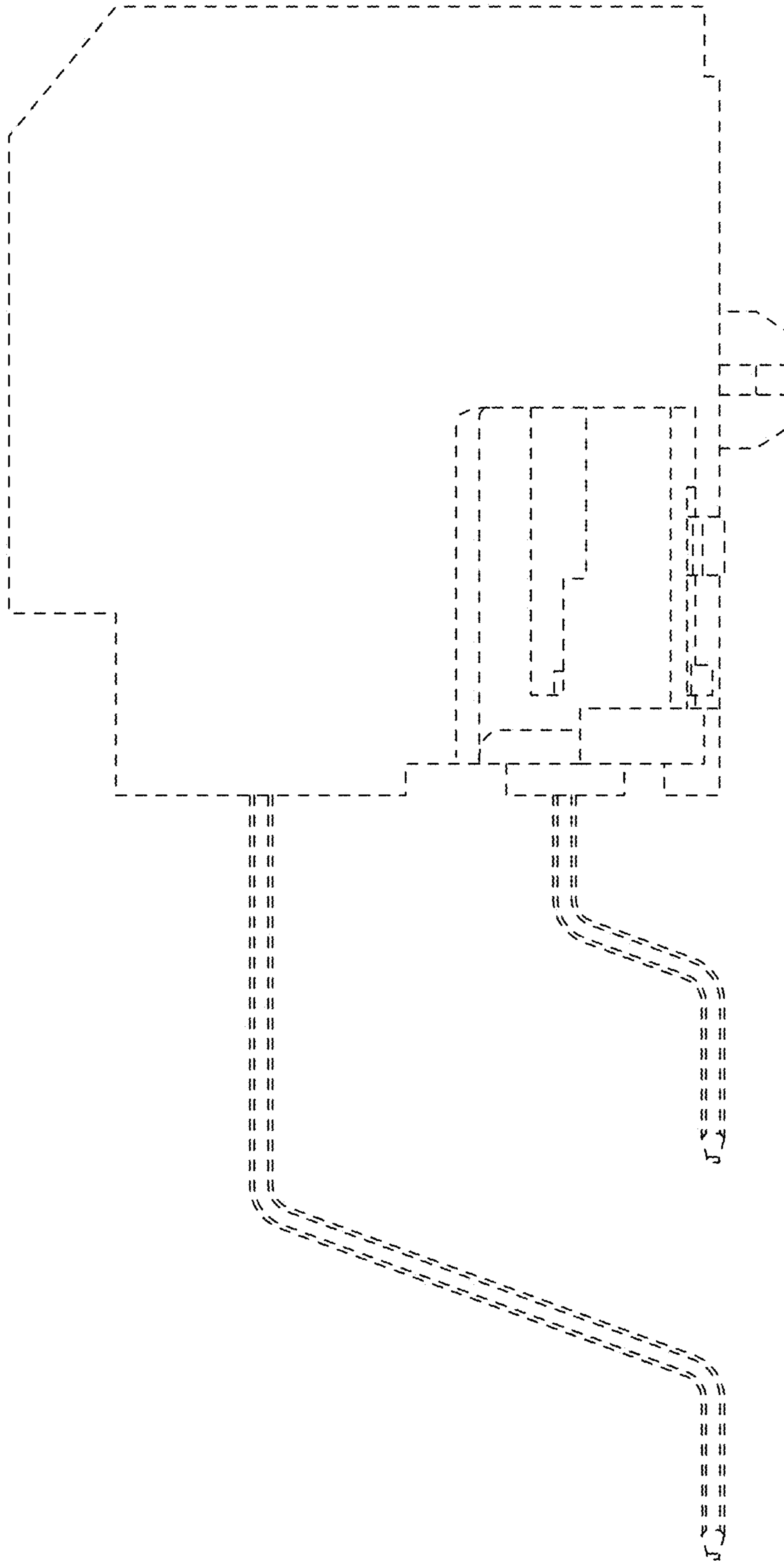


FIG. 7

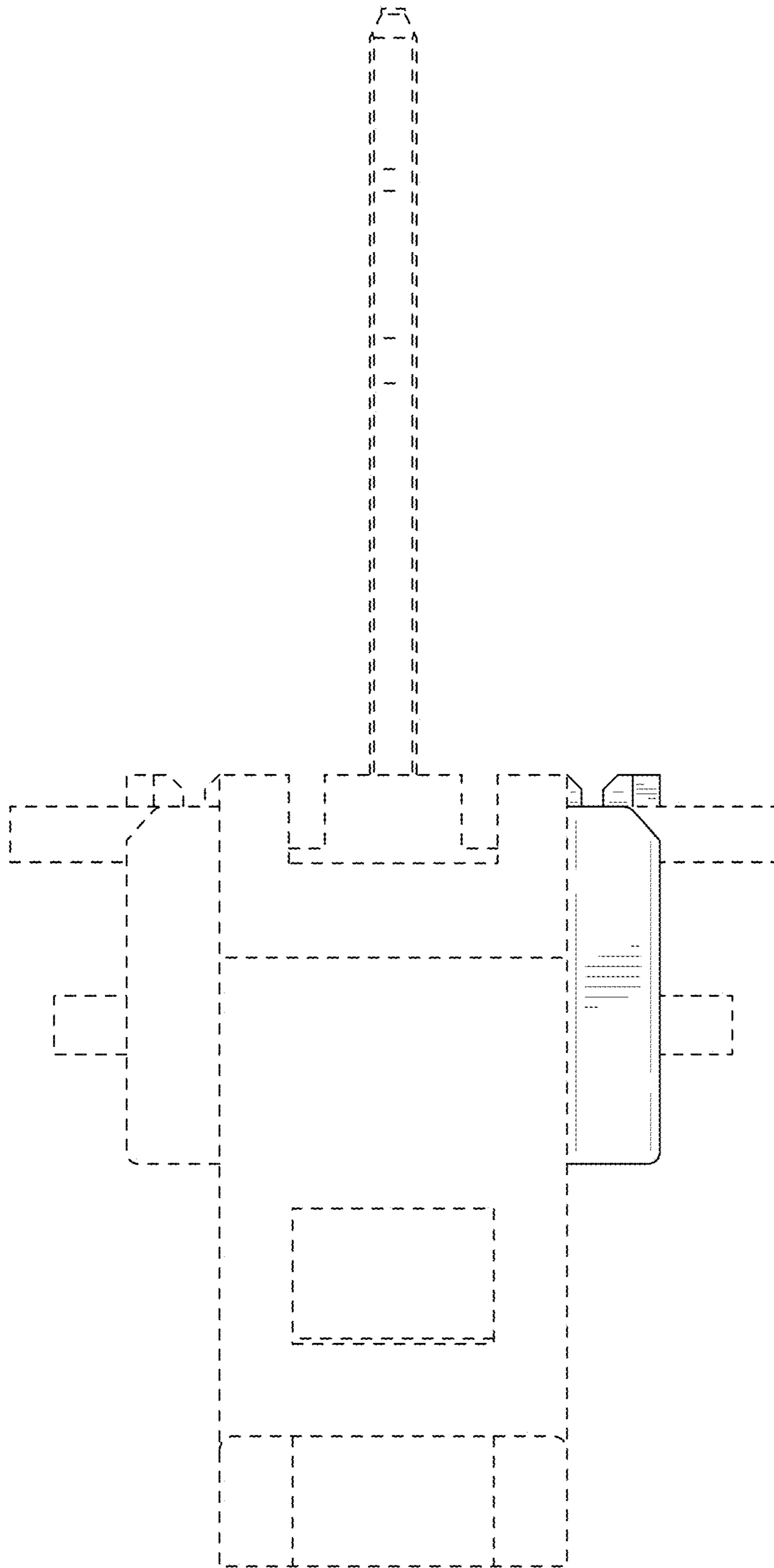


FIG. 8

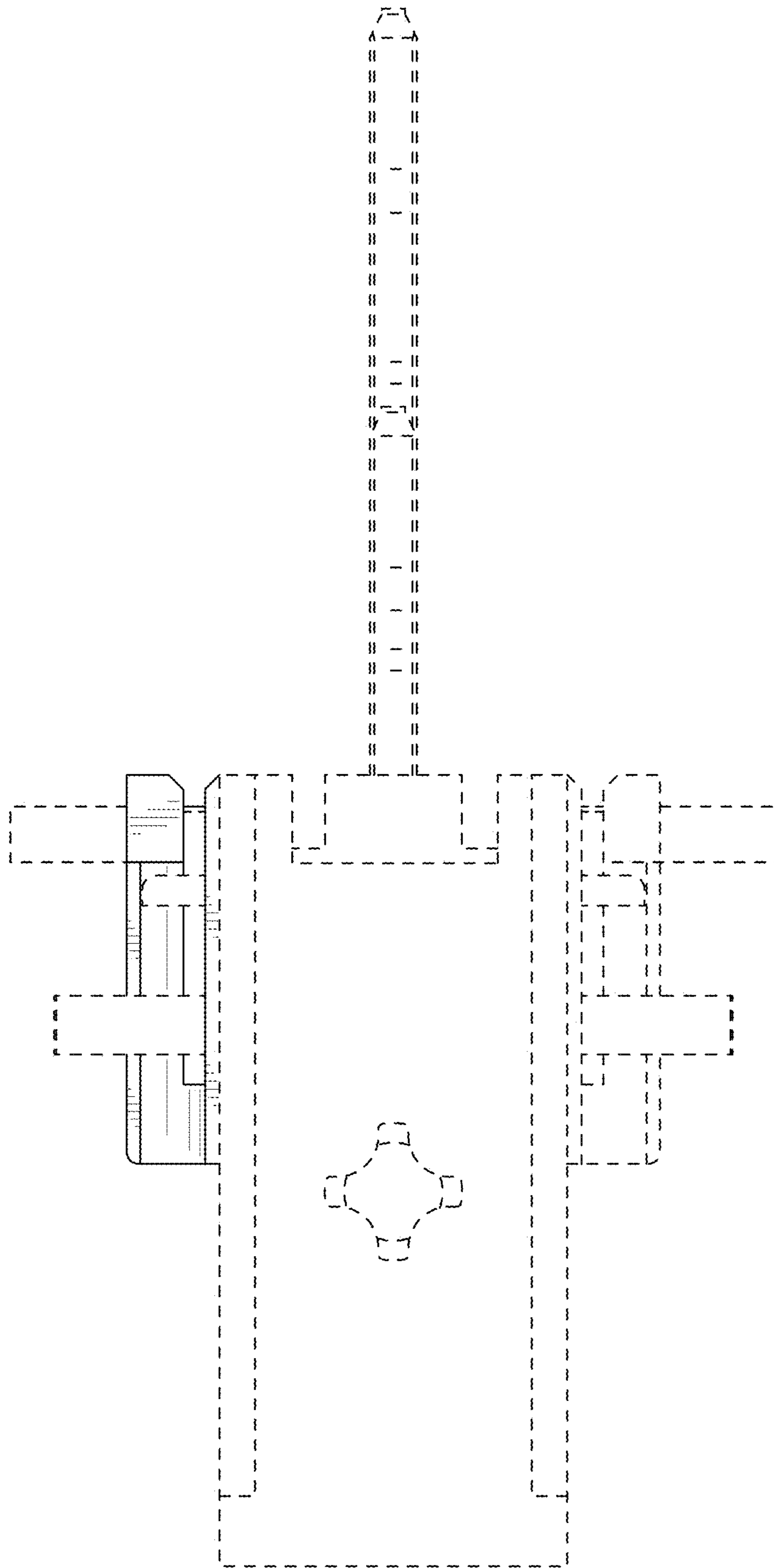


FIG. 9

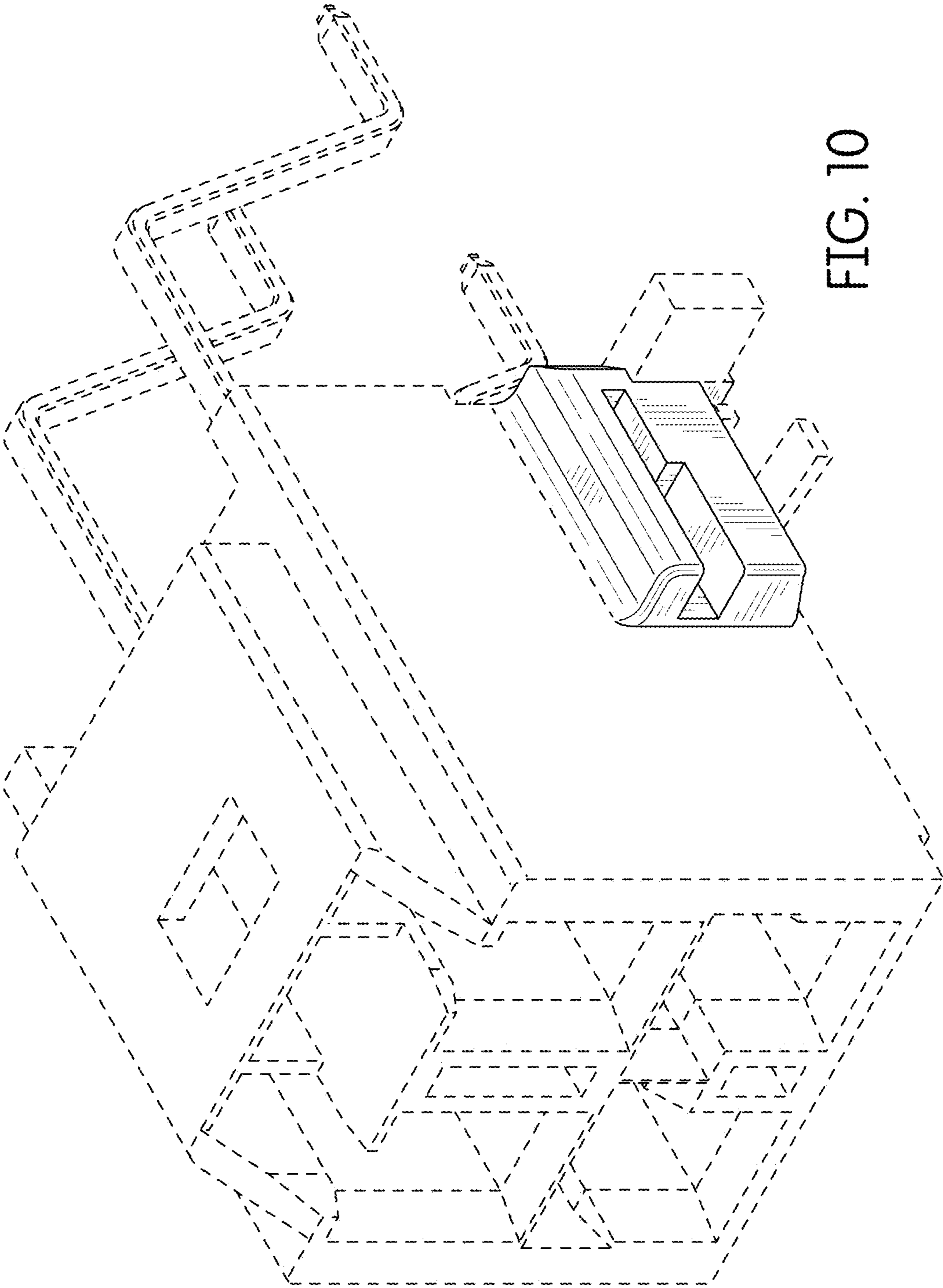
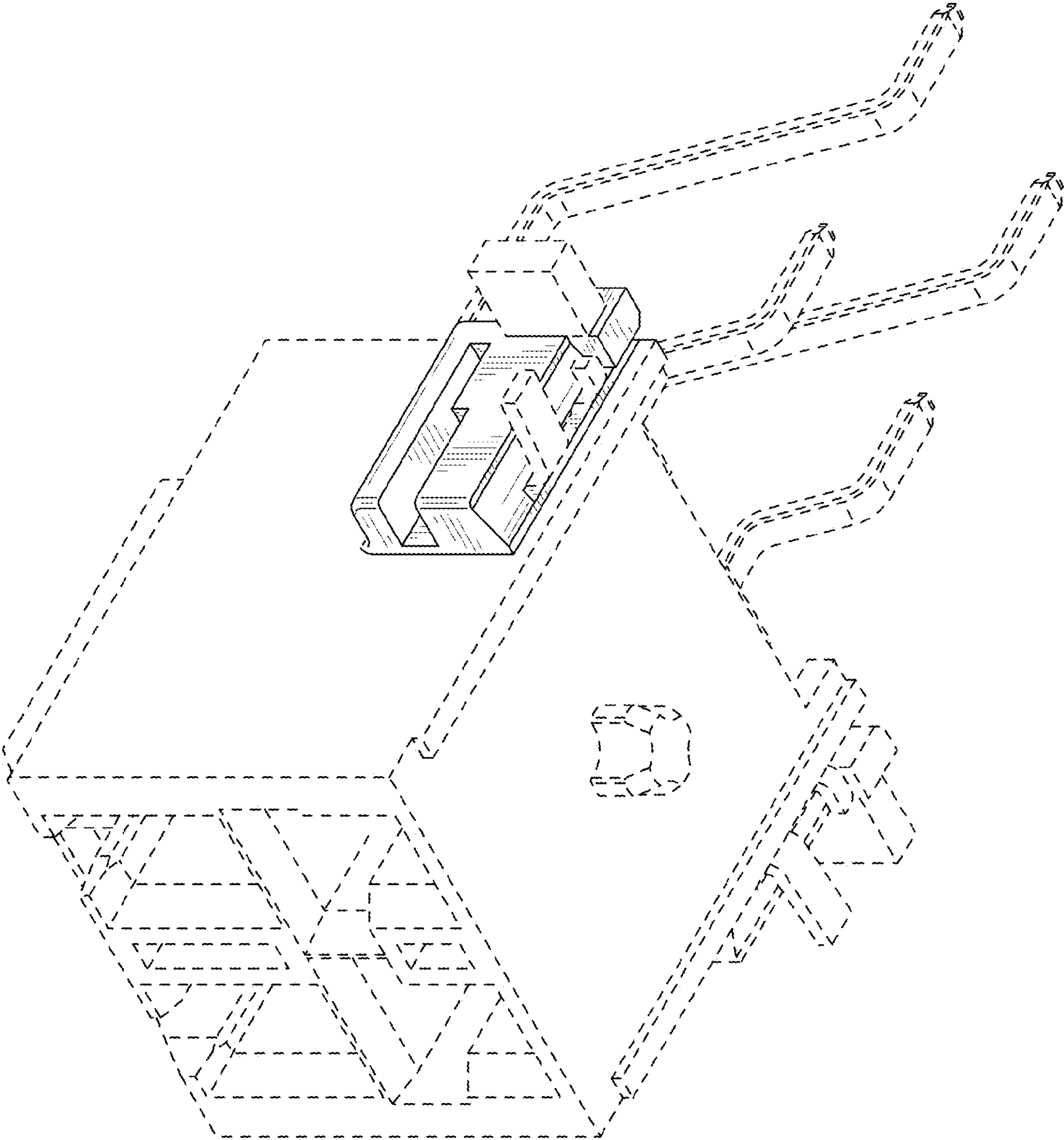
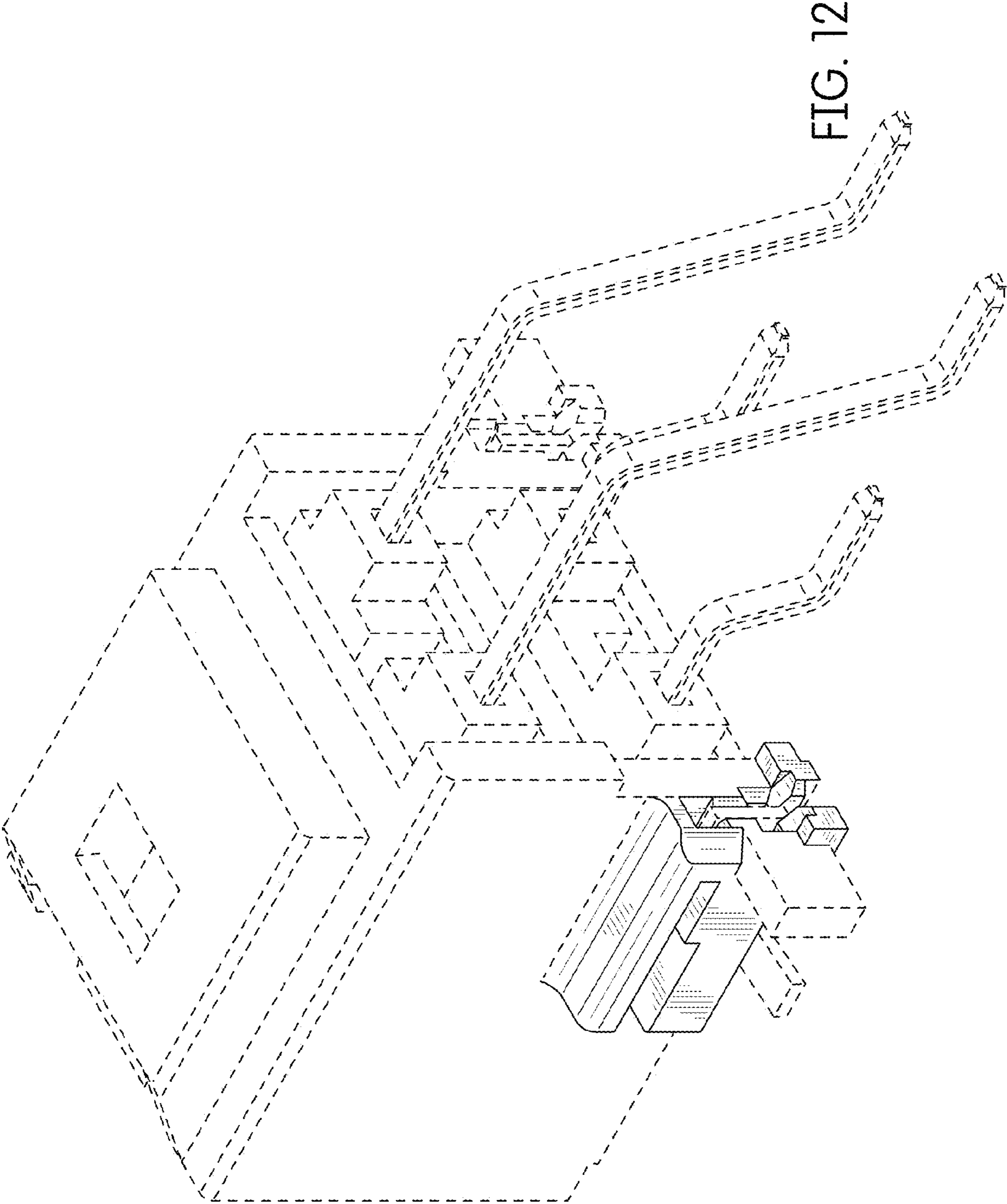


FIG. 10

FIG. 11





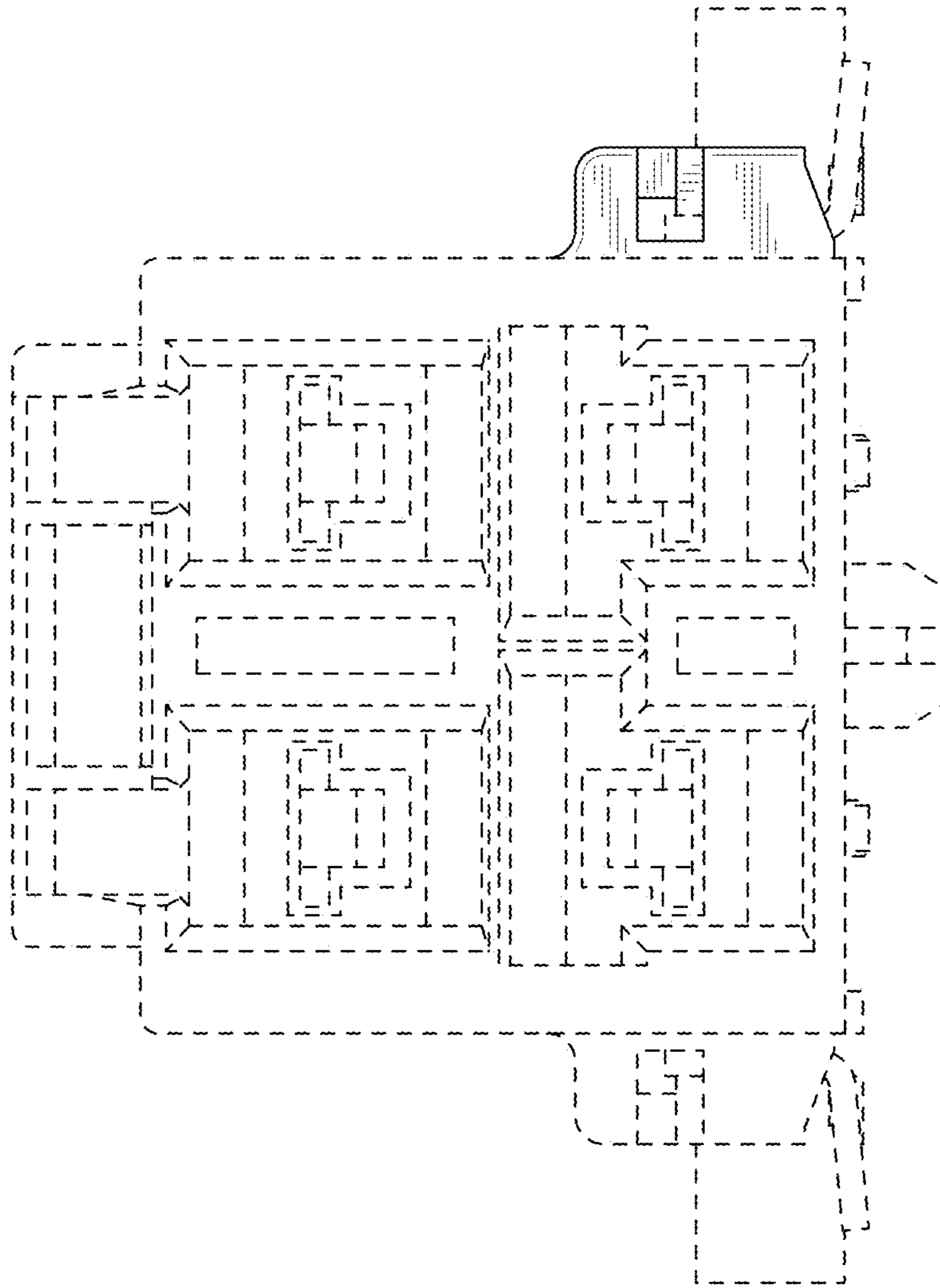


FIG. 13

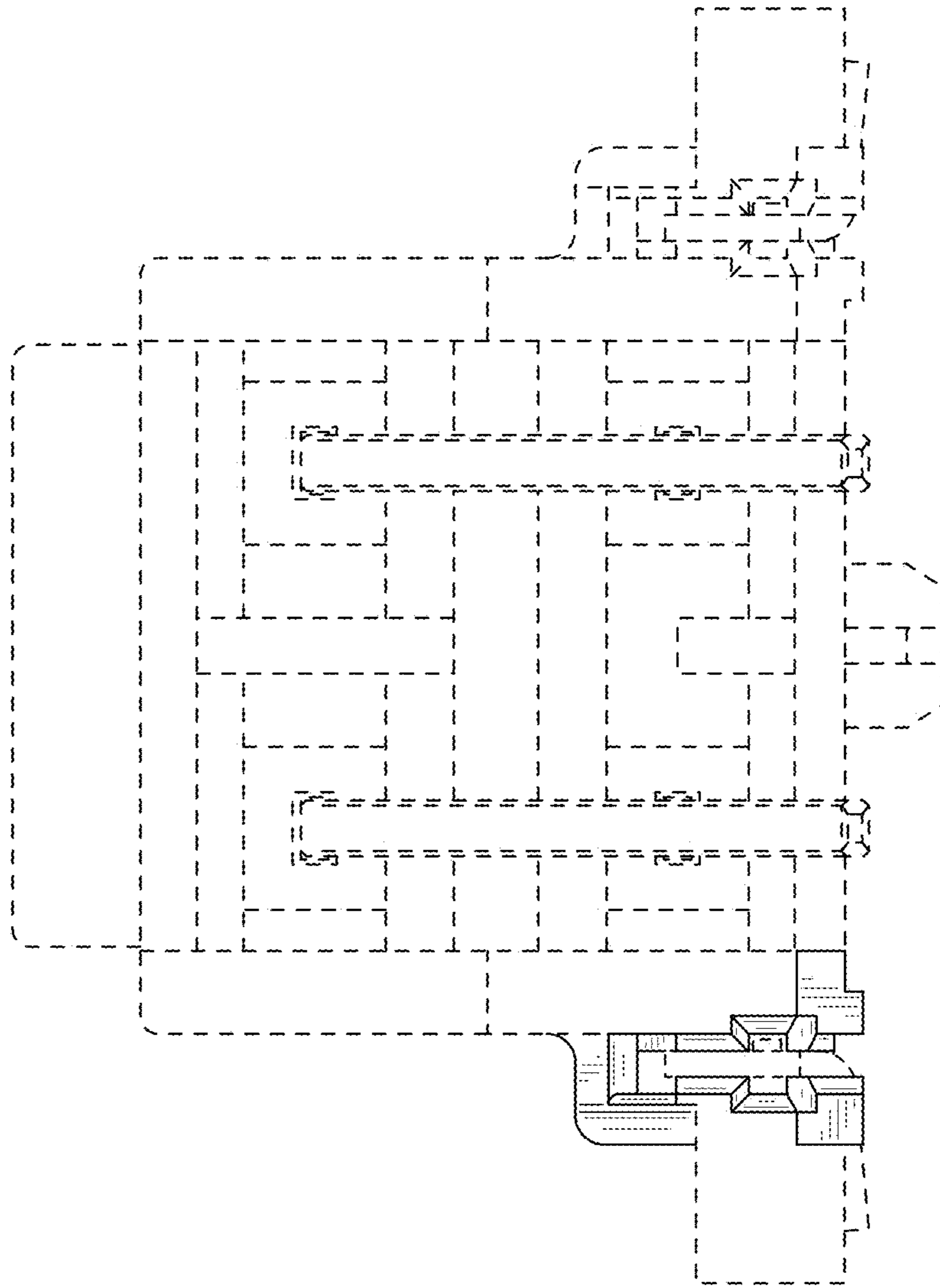


FIG. 14



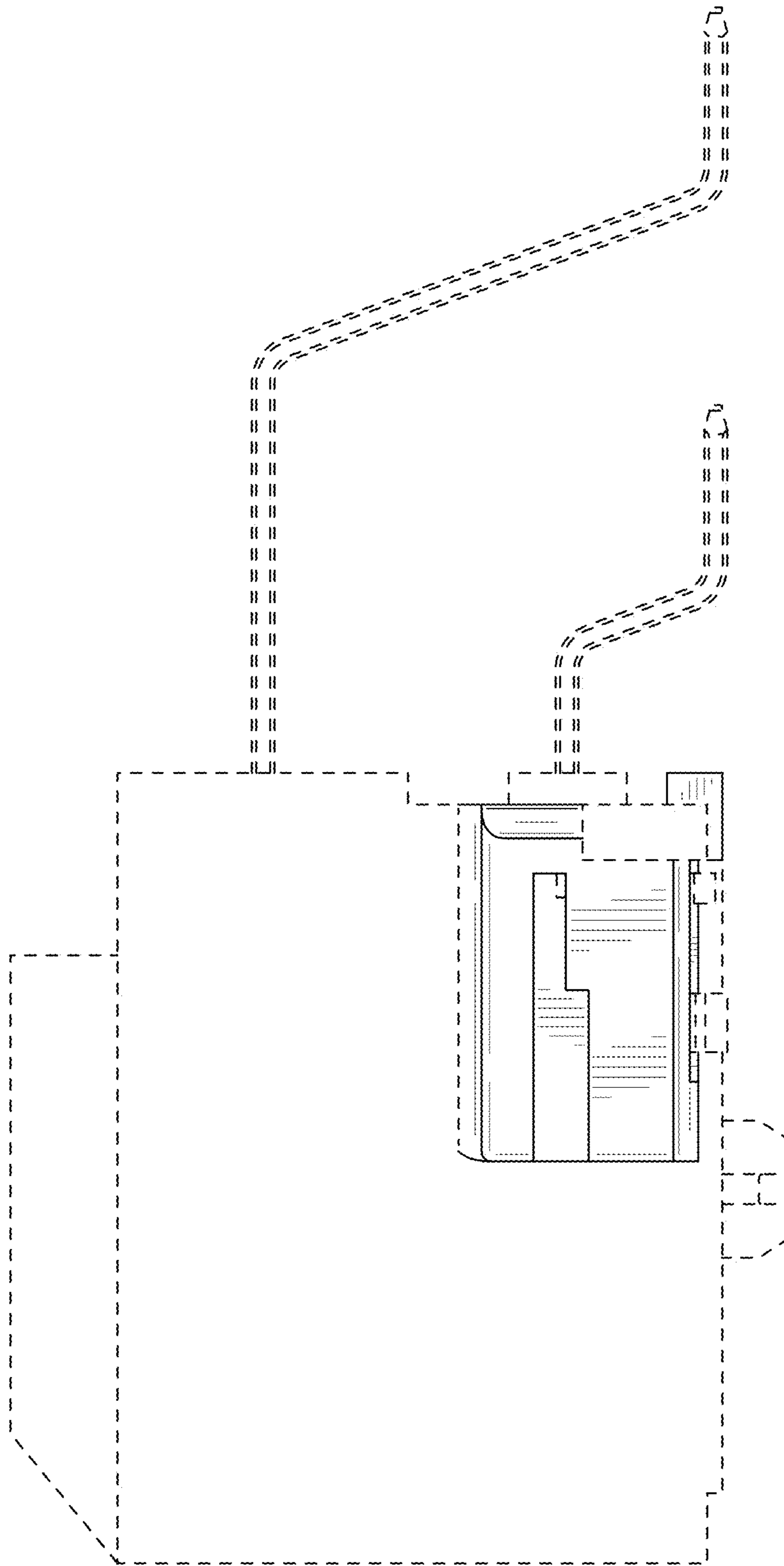


FIG. 15

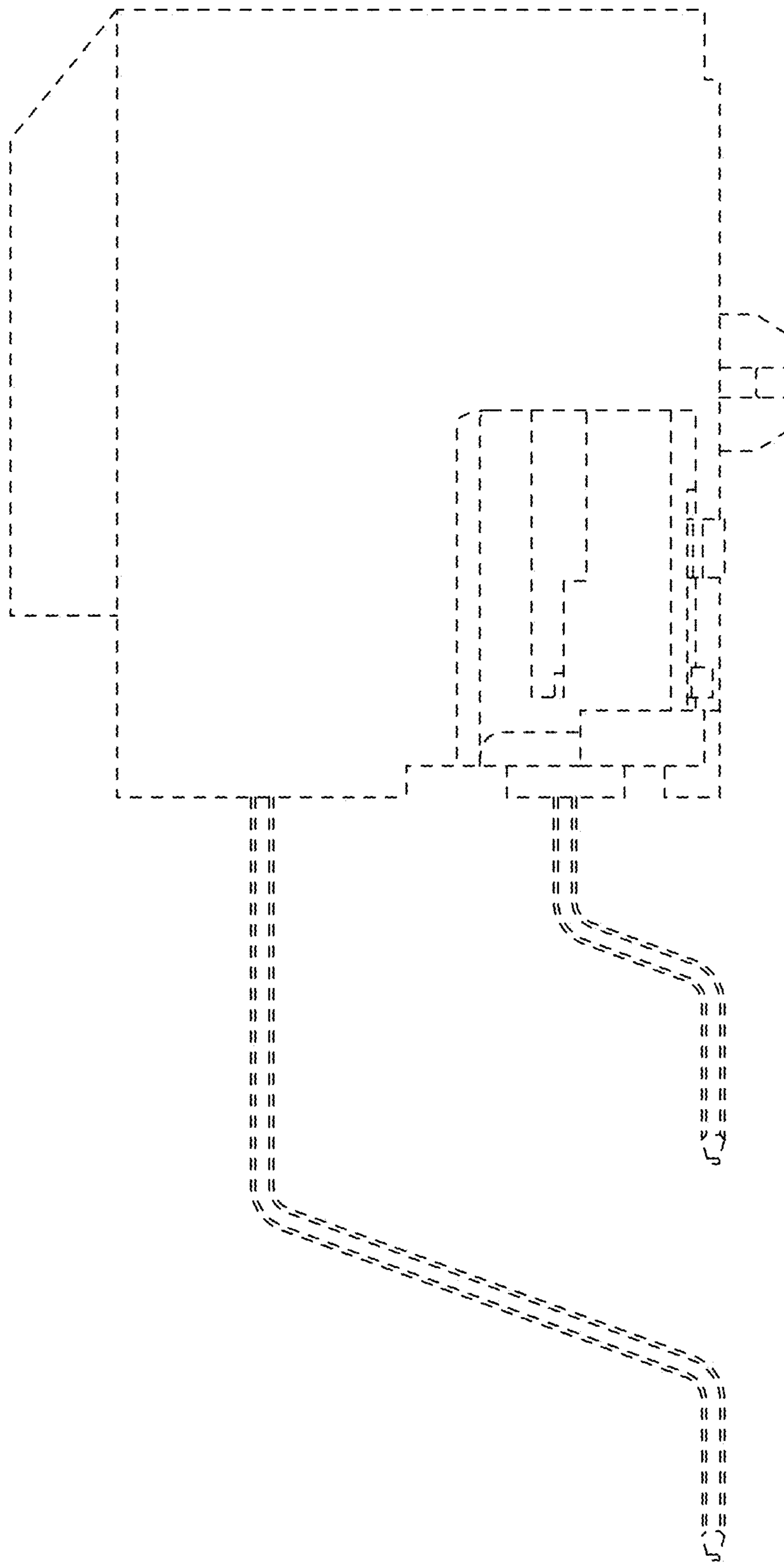


FIG. 16

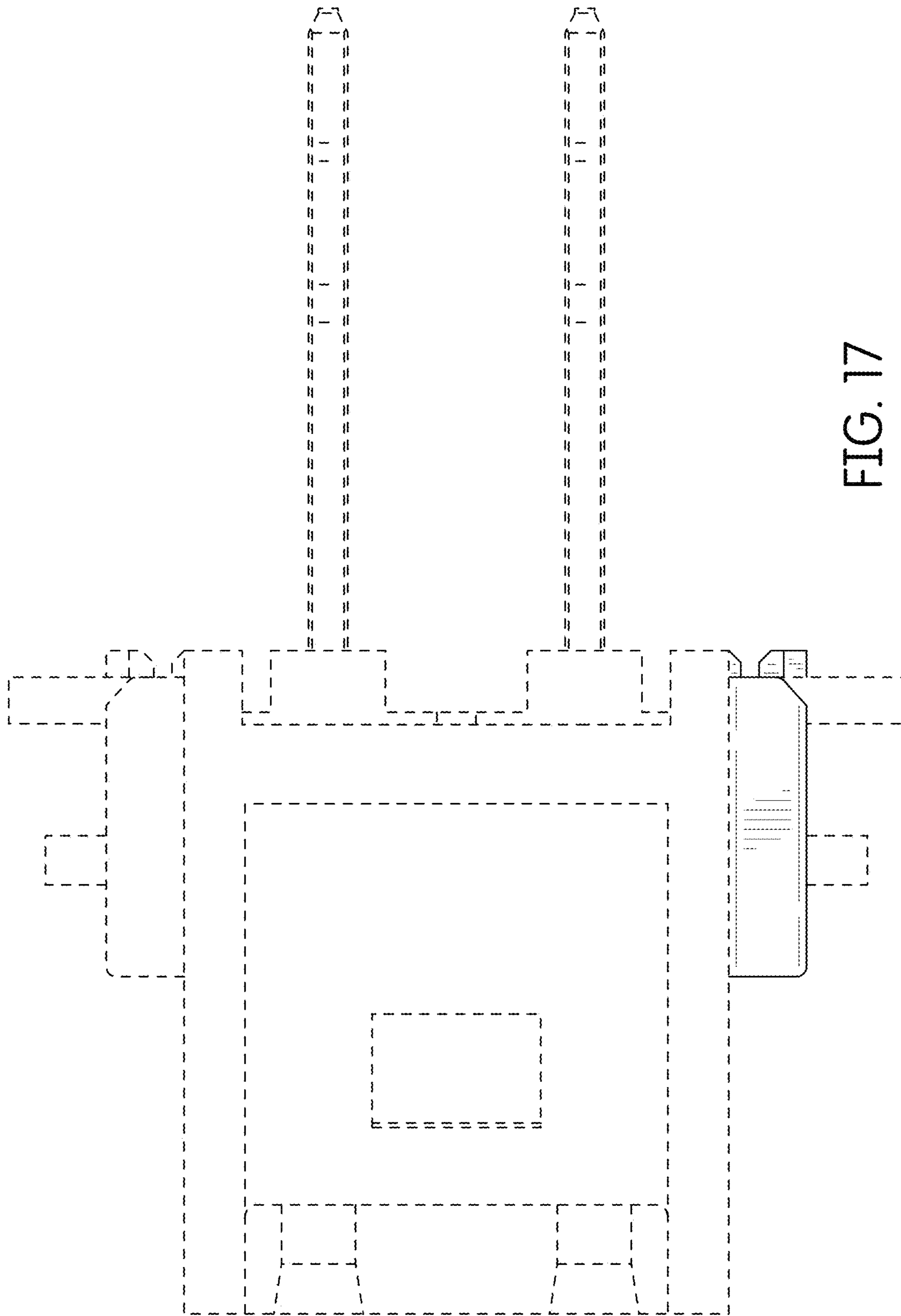


FIG. 17

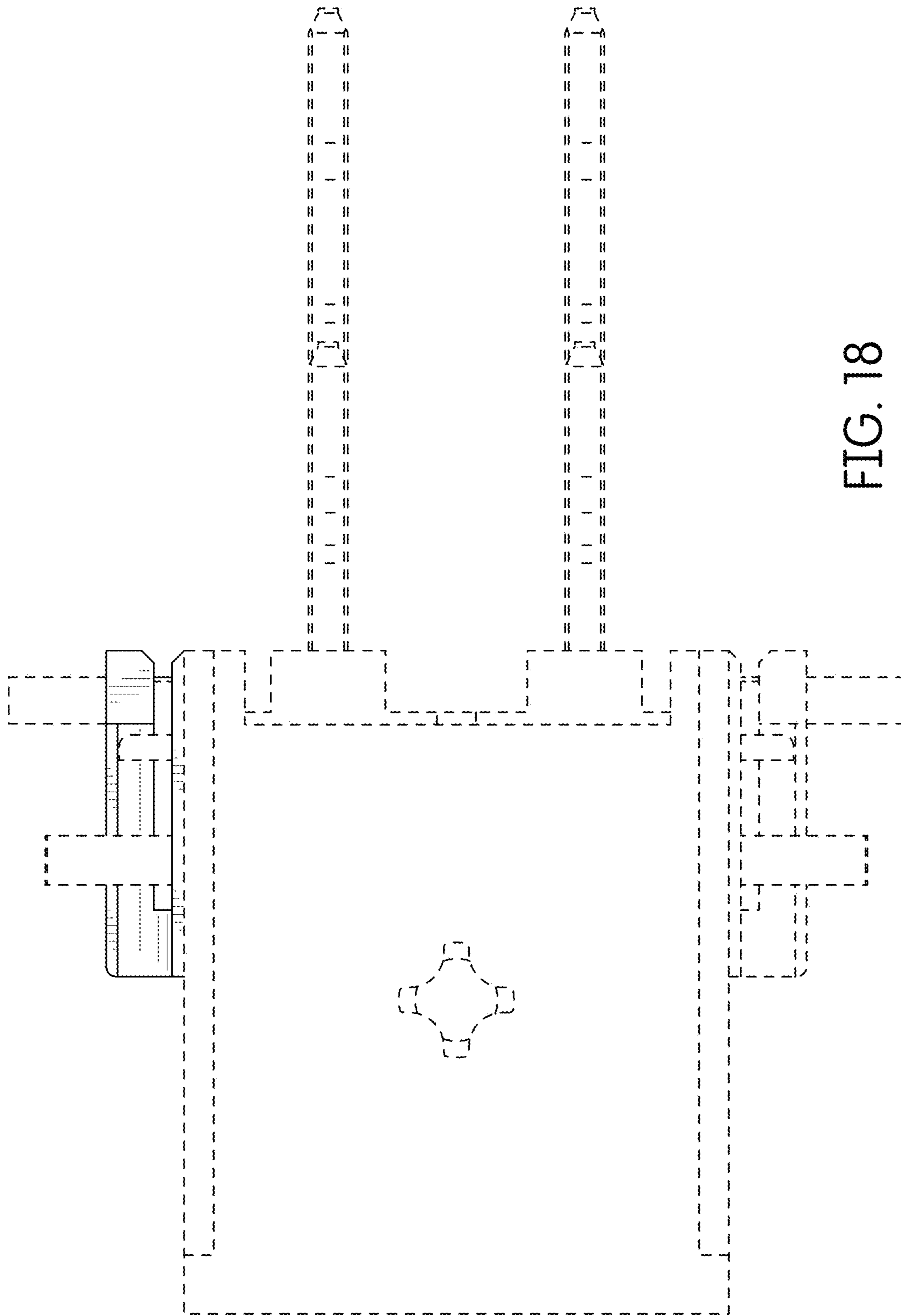


FIG. 18

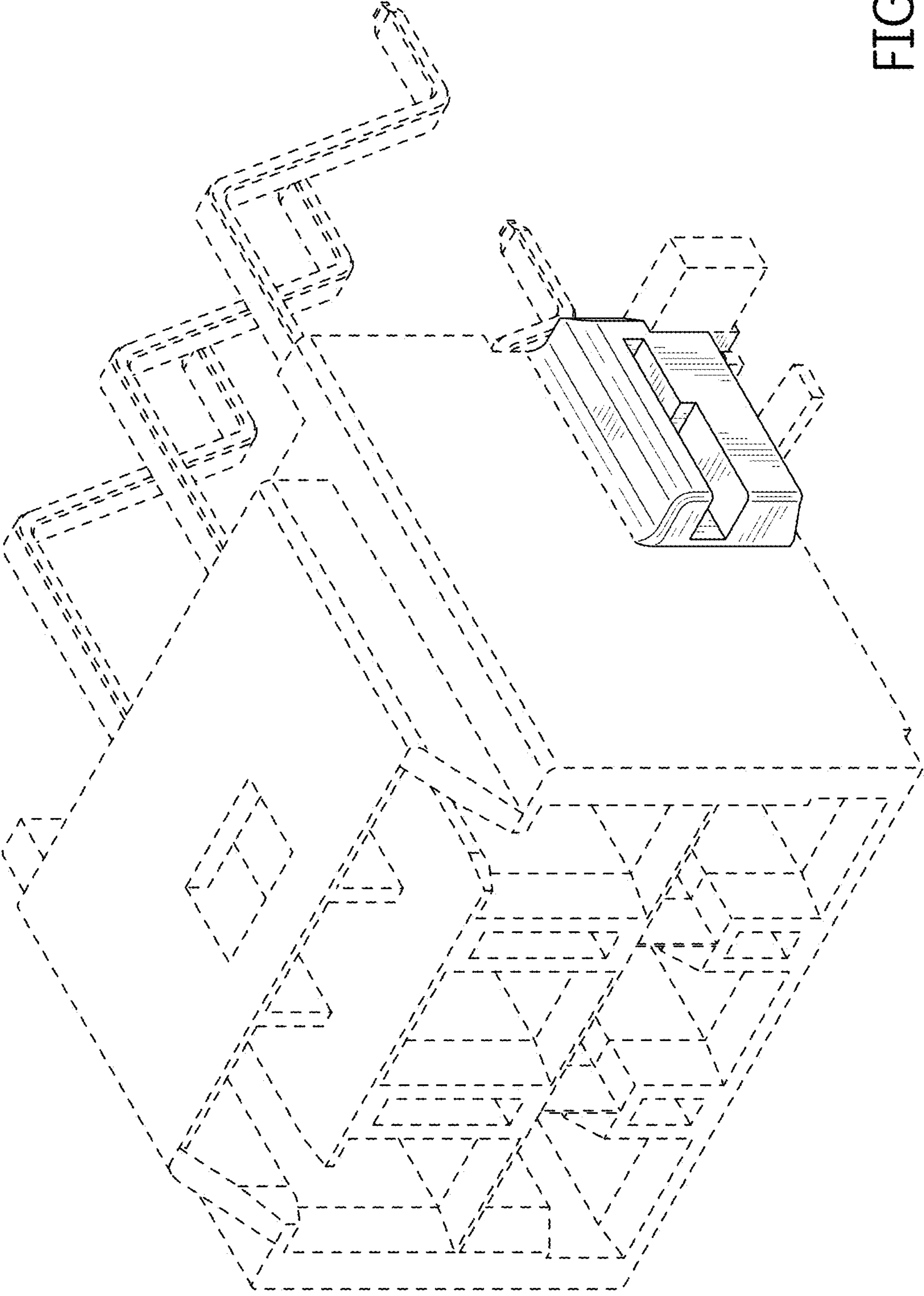


FIG. 19

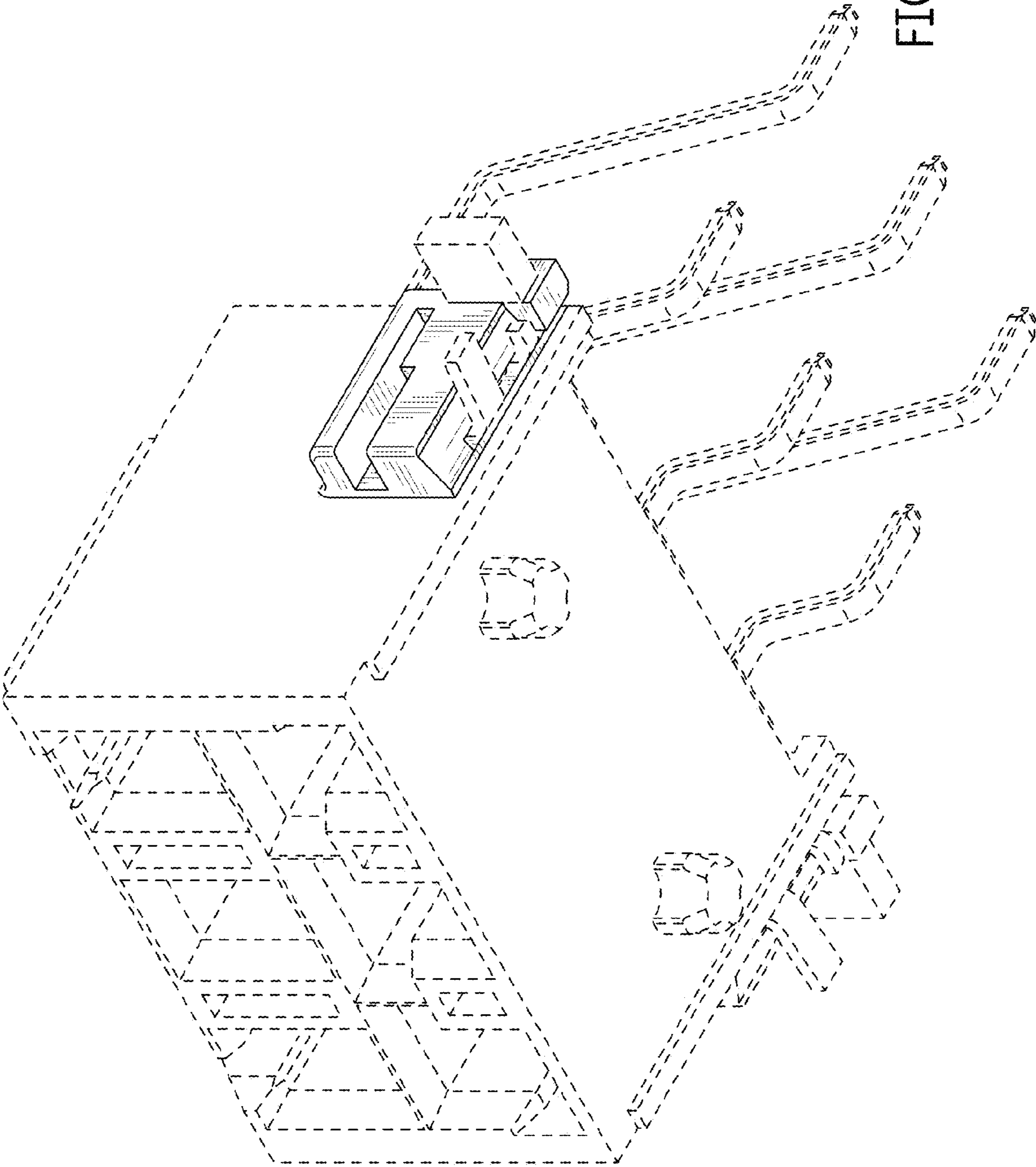


FIG. 20

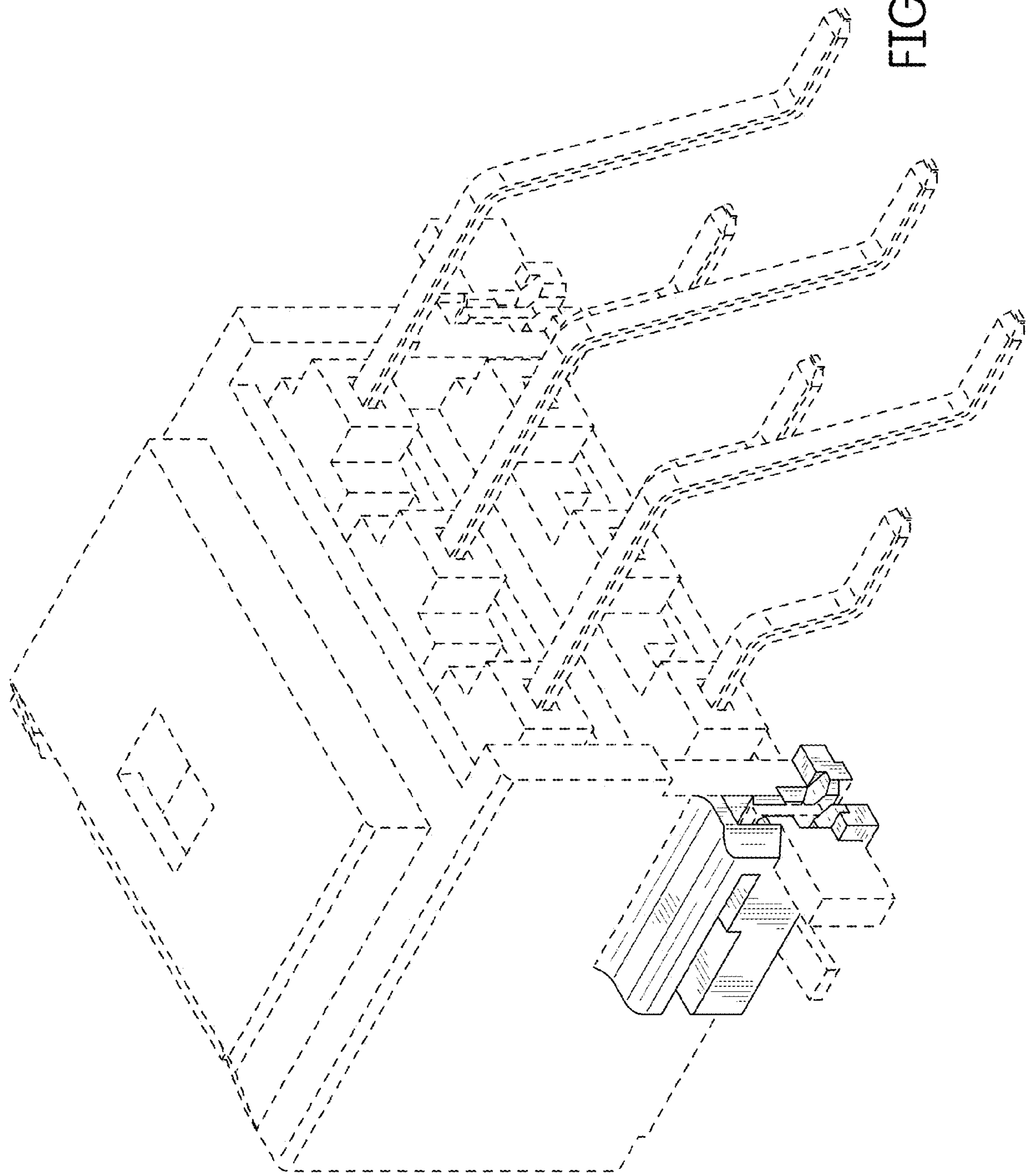


FIG. 21

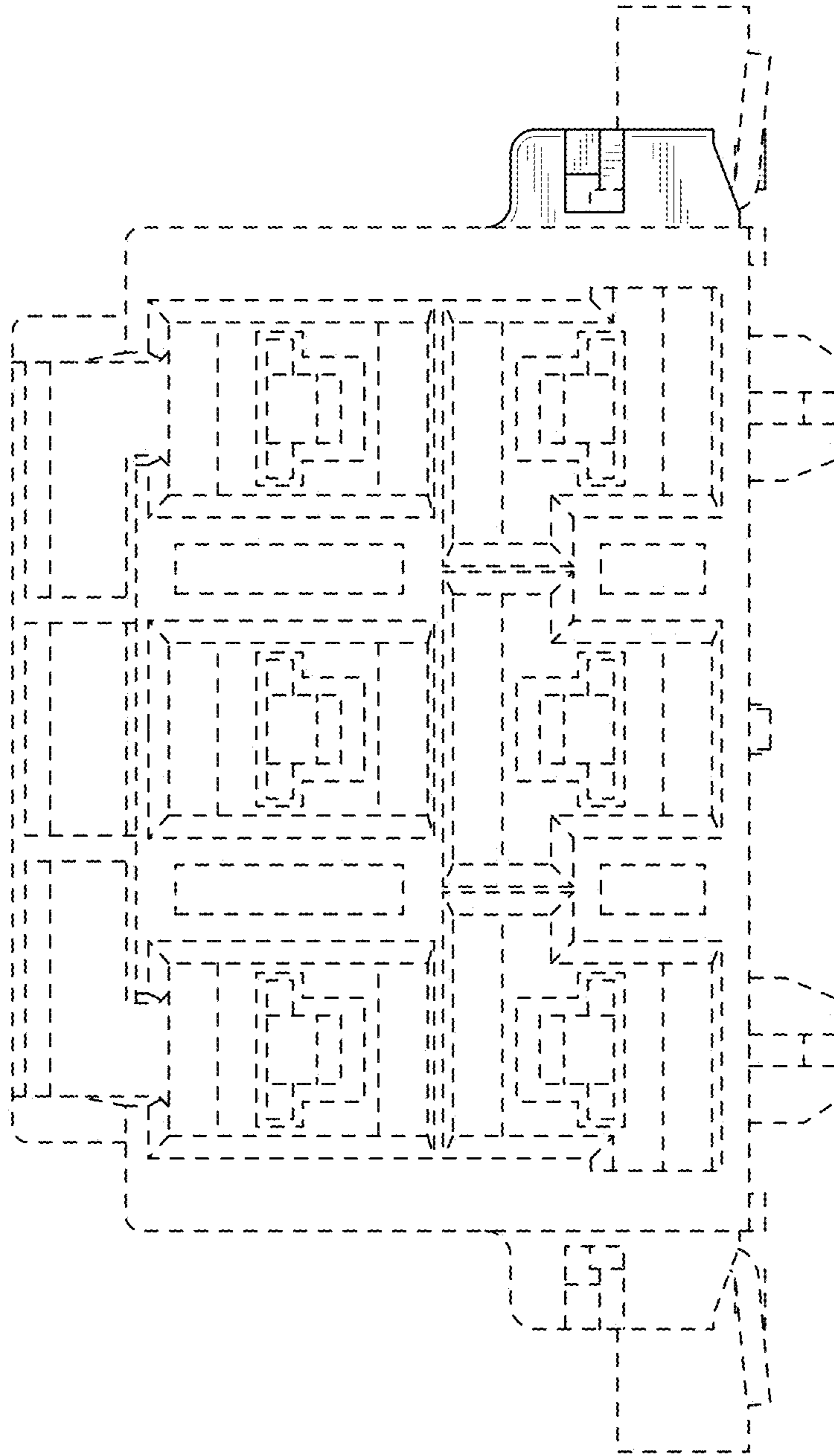


FIG. 22



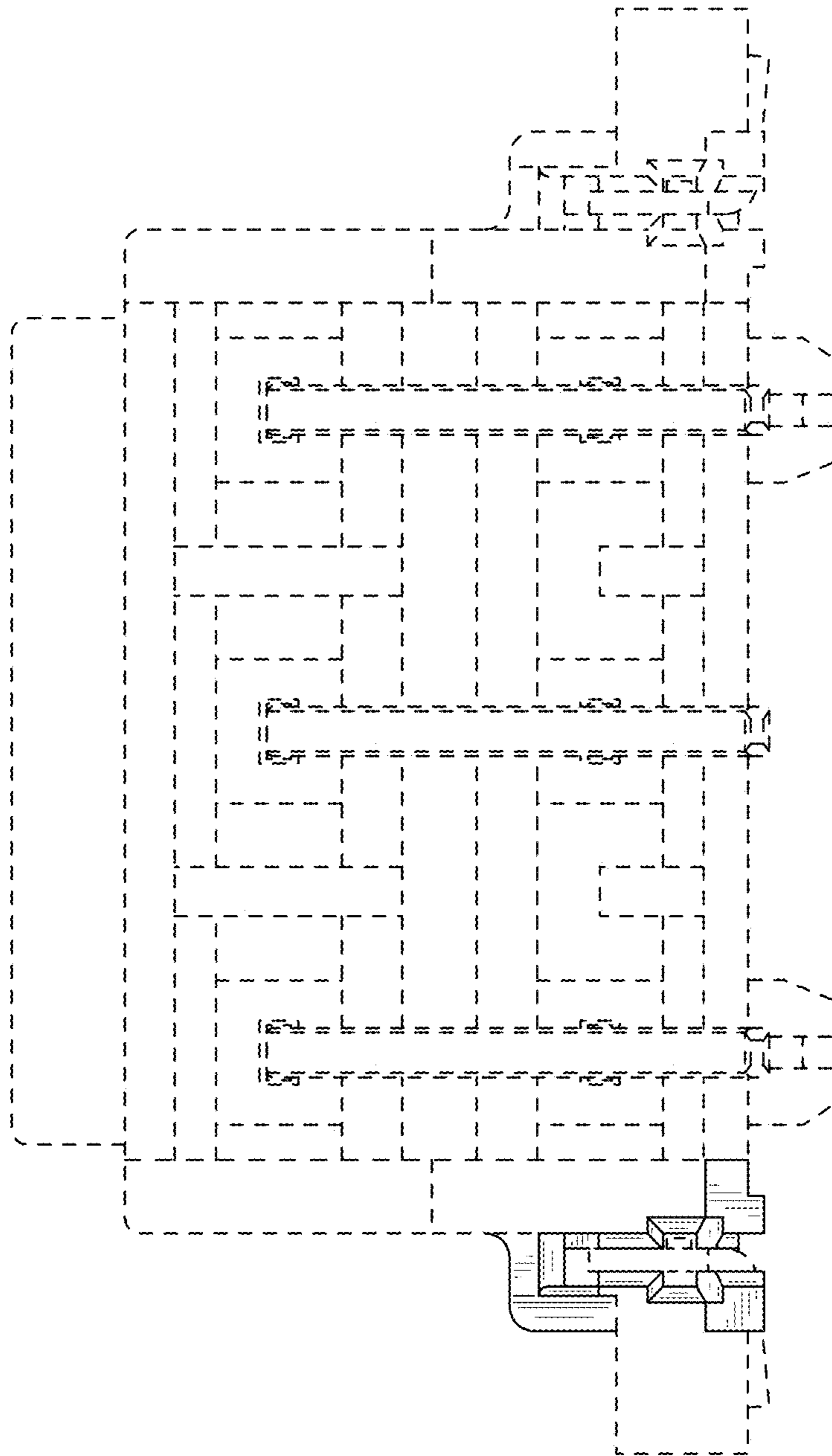


FIG. 23

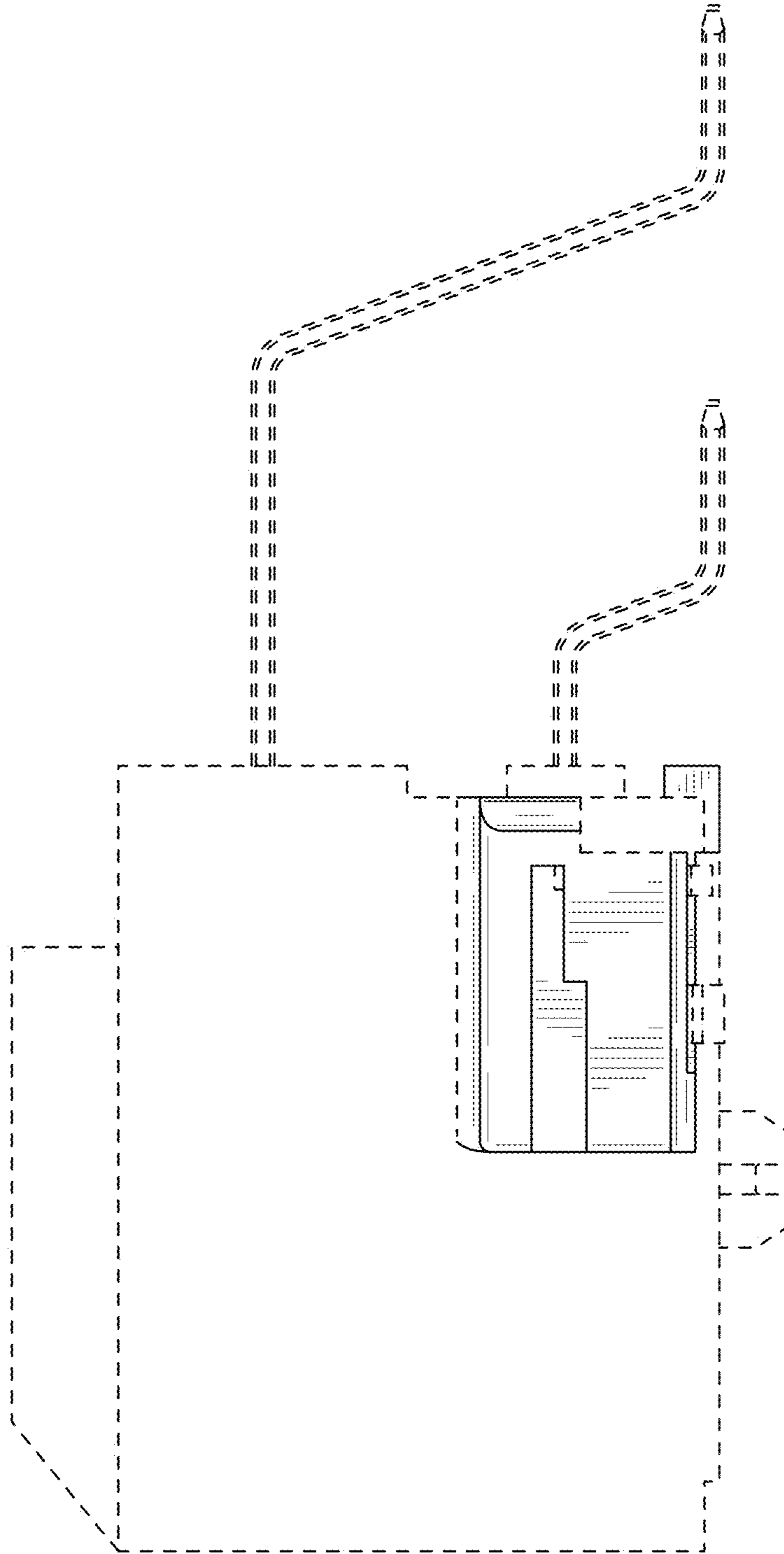


FIG. 24

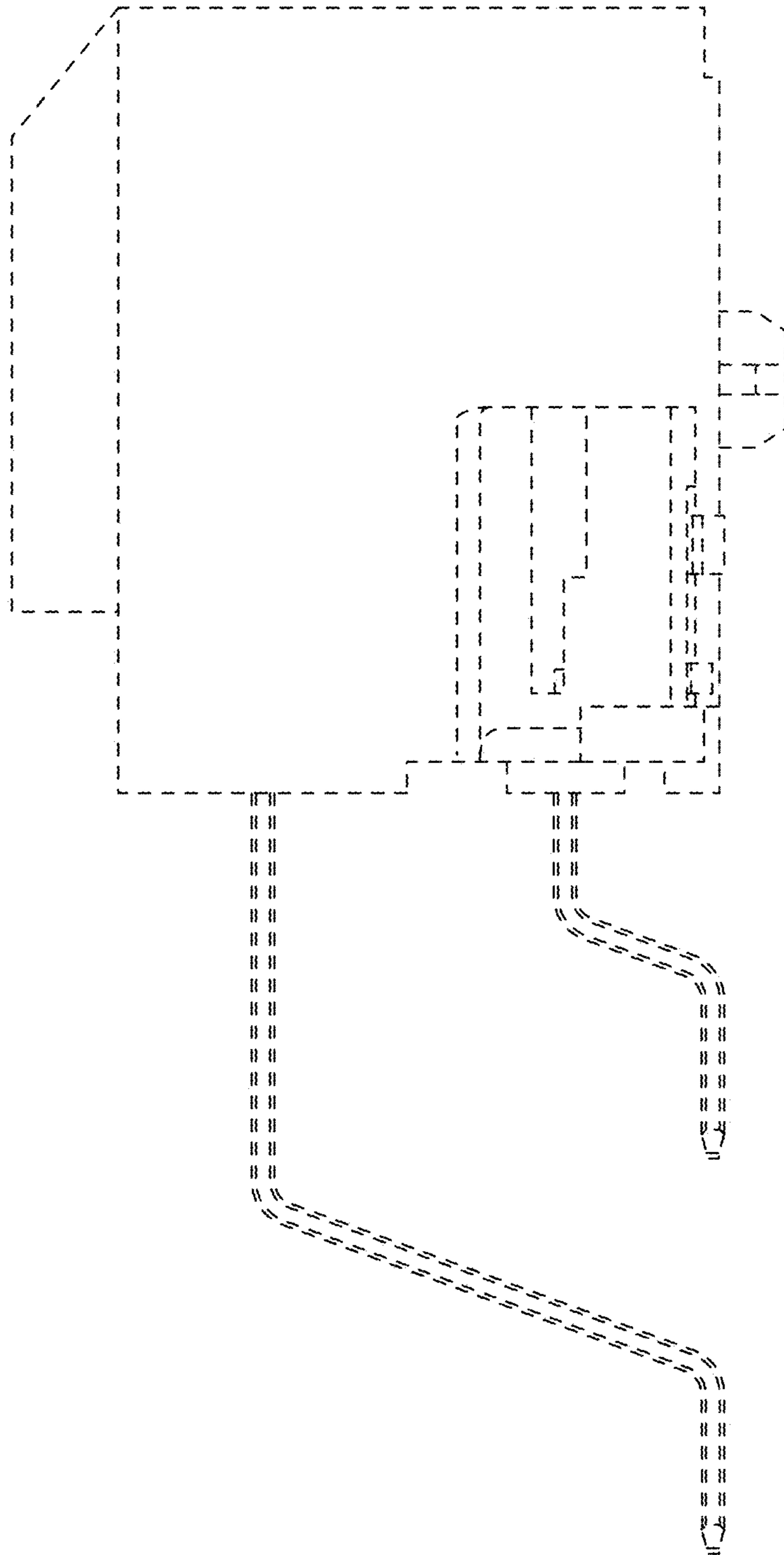


FIG. 25

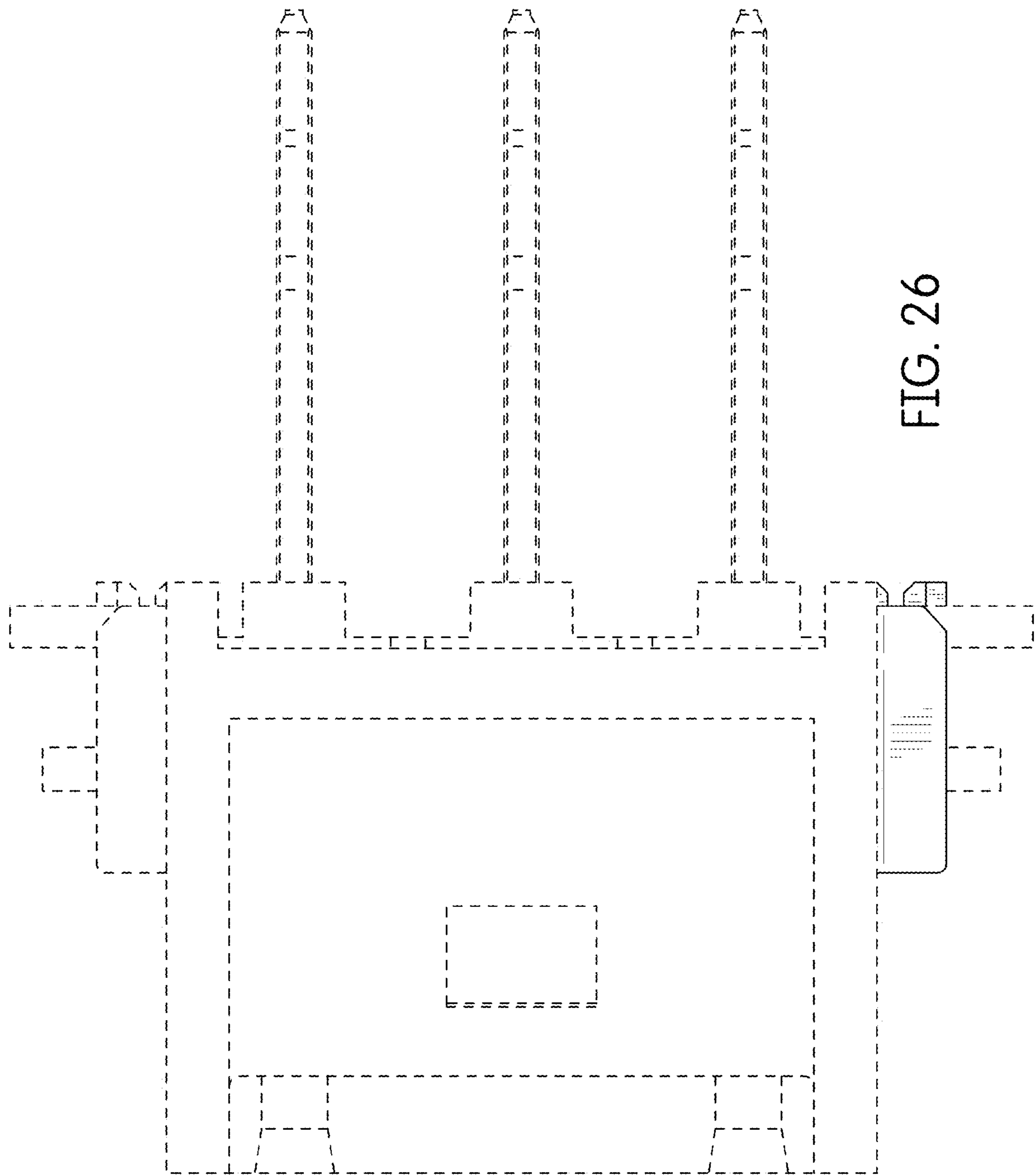


FIG. 26

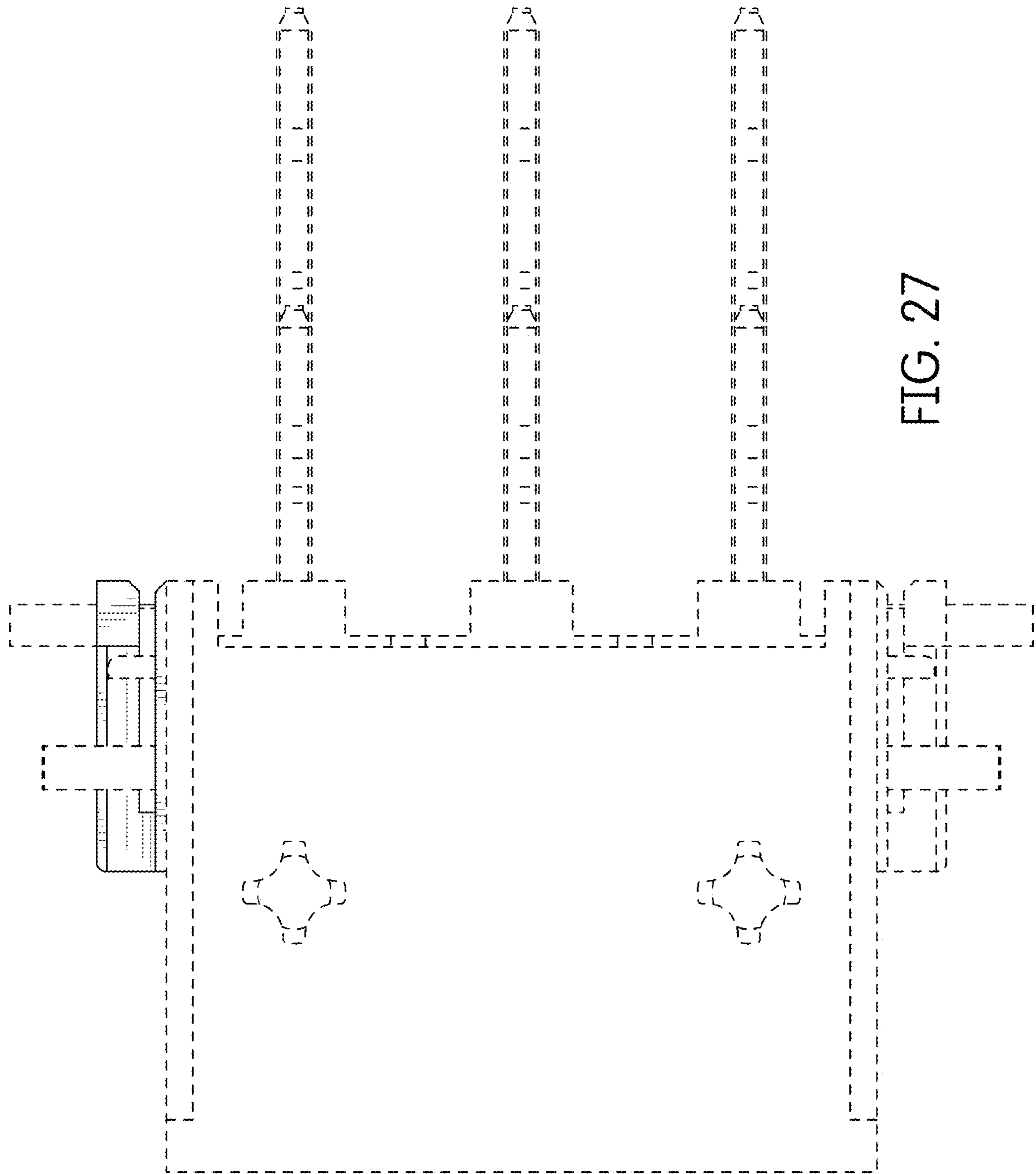


FIG. 27