



US00D882518S

(12) **United States Design Patent** (10) **Patent No.:** **US D882,518 S**
Otsu et al. (45) **Date of Patent:** **** Apr. 28, 2020**

(54) **ELECTRIC CONNECTING TERMINAL**

(71) Applicant: **OMRON Corporation**, Kyoto-shi, Kyoto (JP)

(72) Inventors: **Norihiro Otsu**, Okayama (JP); **Tomoyuki Haruna**, Okayama (JP); **Hidekazu Koyama**, Kyoto (JP); **Yukito Yoshida**, Okayama (JP)

(73) Assignee: **OMRON Corporation**, Kyoto (JP)

(**) Term: **15 Years**

(21) Appl. No.: **29/648,104**

(22) Filed: **May 18, 2018**

(30) **Foreign Application Priority Data**

Nov. 22, 2017 (JP) 2017-025996

(51) **LOC (12) Cl.** **13-03**

(52) **U.S. Cl.**
USPC **D13/133**

(58) **Field of Classification Search**
USPC D13/107, 118, 123, 133, 146, 147, 149, D13/151, 153, 154, 173, 184, 199
CPC . H01R 4/027; H01R 4/16; H01R 4/24; H01R 4/48; H01R 4/52; H01R 4/72; H01R 13/04; H01R 13/11; H01R 13/115; H01R 13/14; H01R 13/40; H01R 13/42; H01R 13/62; H01R 13/648; H01R 13/658; H01R 43/16
See application file for complete search history.

(56) **References Cited**

U.S. PATENT DOCUMENTS

D263,219 S * 3/1982 Viets D13/149
D494,545 S * 8/2004 Kuroda D13/154
D840,942 S * 2/2019 DeVito D13/149
2005/0118866 A1* 6/2005 Abe H01R 13/04
439/578

2011/0207363 A1* 8/2011 Shimizu H01R 13/11
439/374
2012/0309240 A1* 12/2012 Yang H01R 13/14
439/843
2013/0244506 A1* 9/2013 Endo H01R 4/48
439/825
2013/0244512 A1* 9/2013 Endo H01R 12/585
439/889
2015/0079859 A1* 3/2015 Glick H01R 13/18
439/891
2016/0211600 A1* 7/2016 Ljubijankic H01R 43/16
2019/0074650 A1* 3/2019 Huang H01R 13/11
2019/0334270 A1* 10/2019 Ito H01R 13/04

FOREIGN PATENT DOCUMENTS

JP 9-147948 A 6/1997
JP 2019096482 A * 6/2019 H01R 13/02
JP 2019096483 A * 6/2019 H01R 13/42

* cited by examiner

Primary Examiner — Angela J Lee

Assistant Examiner — Shawn T Gingrich

(74) *Attorney, Agent, or Firm* — Capital City TechLaw

(57) **CLAIM**

The ornamental design for an electric connecting terminal, as shown and described.

DESCRIPTION

FIG. 1 is a top, rear, and right side perspective view of an electric connecting terminal showing our new design; FIG. 2 is a front view thereof; FIG. 3 is a right side view thereof, a left side view being a mirror image thereof; FIG. 4 is a top view thereof; and, FIG. 5 is a bottom view thereof. The dashed broken lines in the figures show portions of the electric connecting terminal that form no part of the claimed design. The dot-dashed broken lines in the figures show boundaries that form no part of the claimed design.

1 Claim, 2 Drawing Sheets

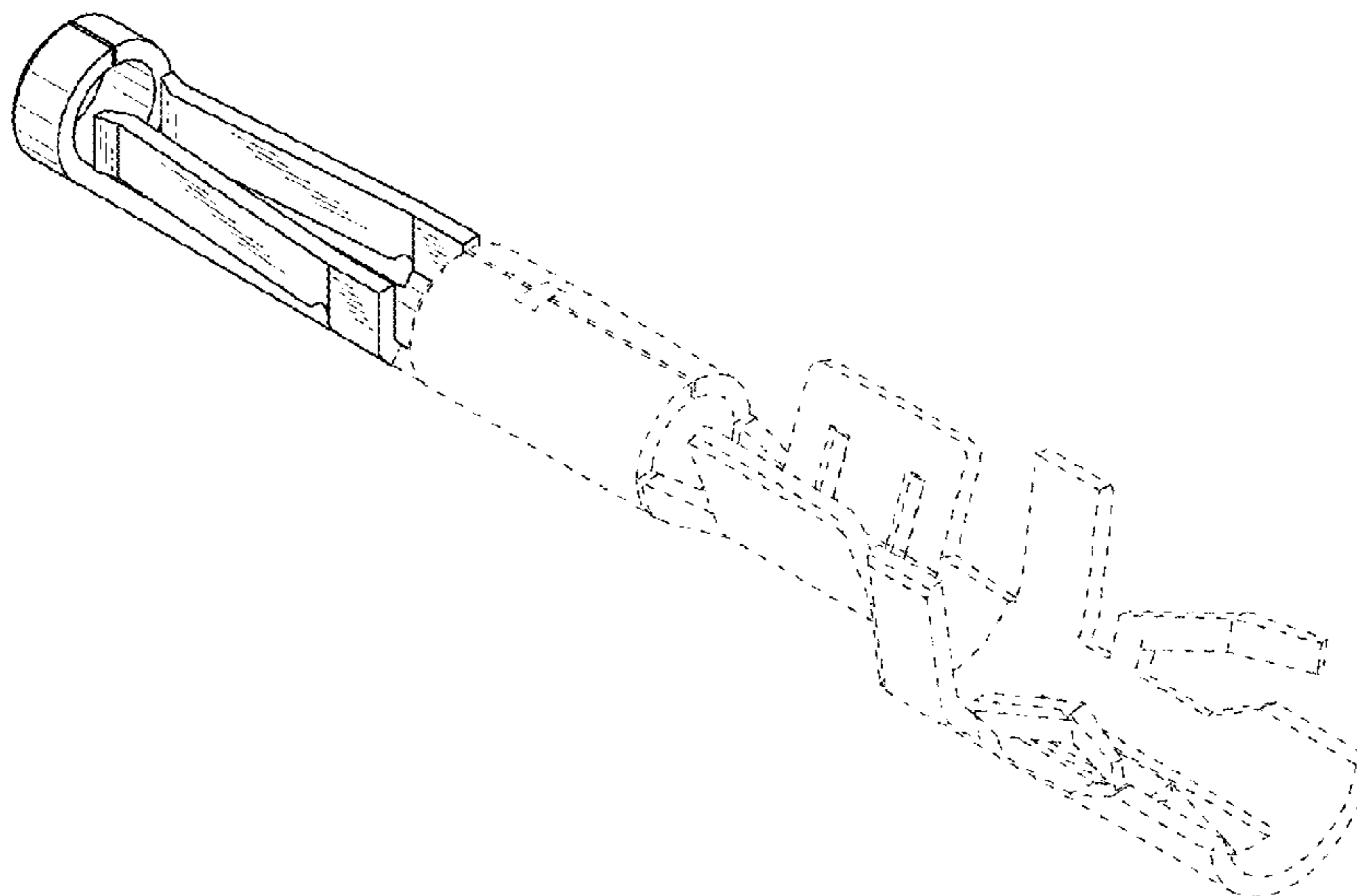


FIG. 1

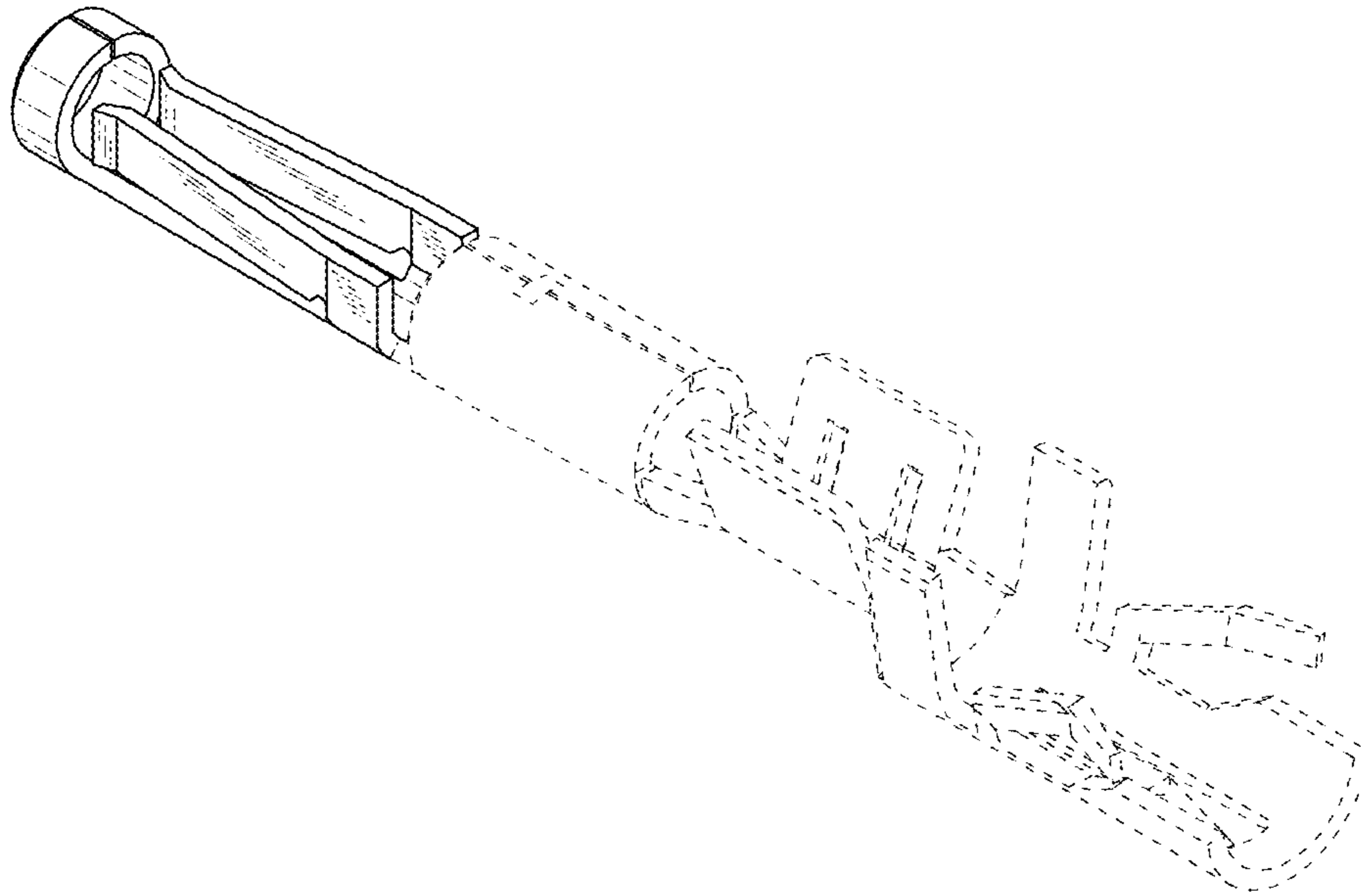


FIG. 2

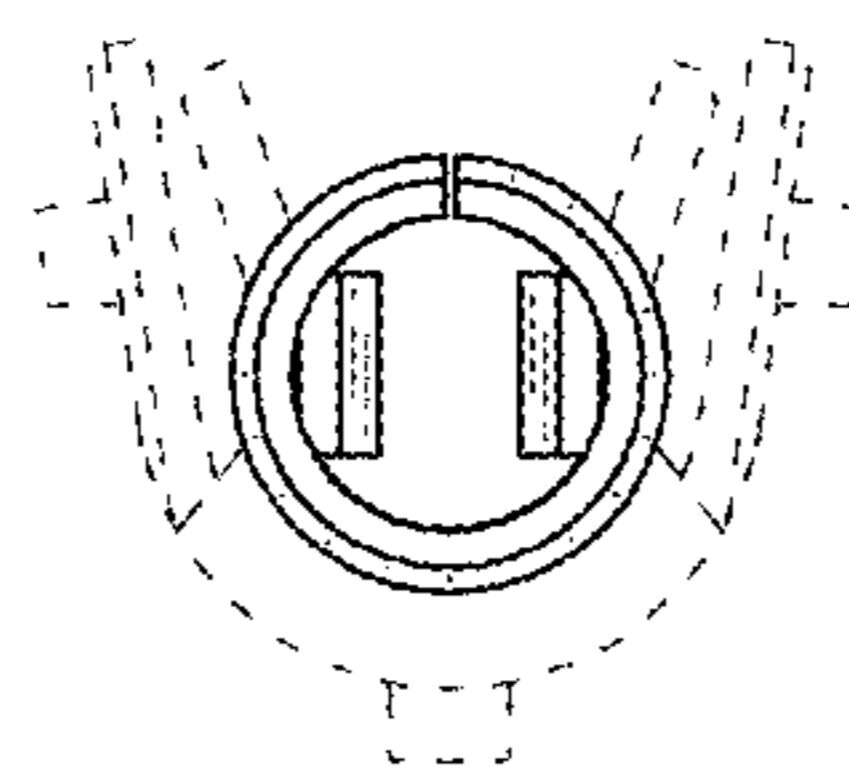


FIG. 3

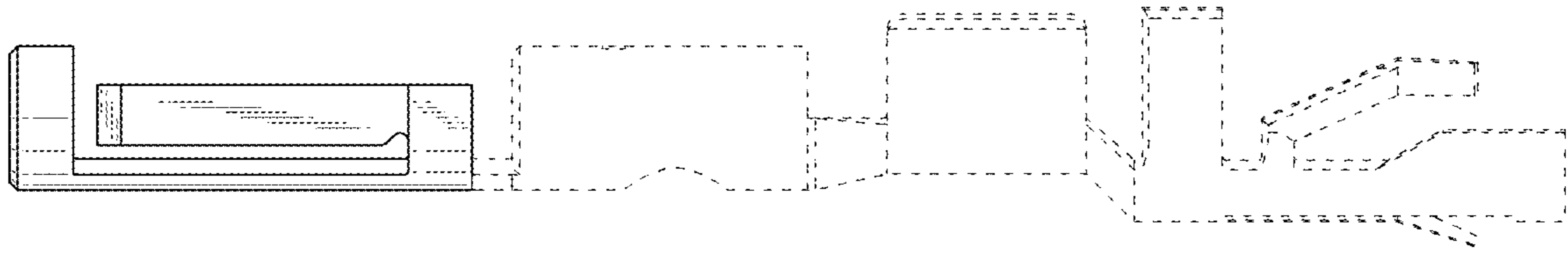


FIG. 4

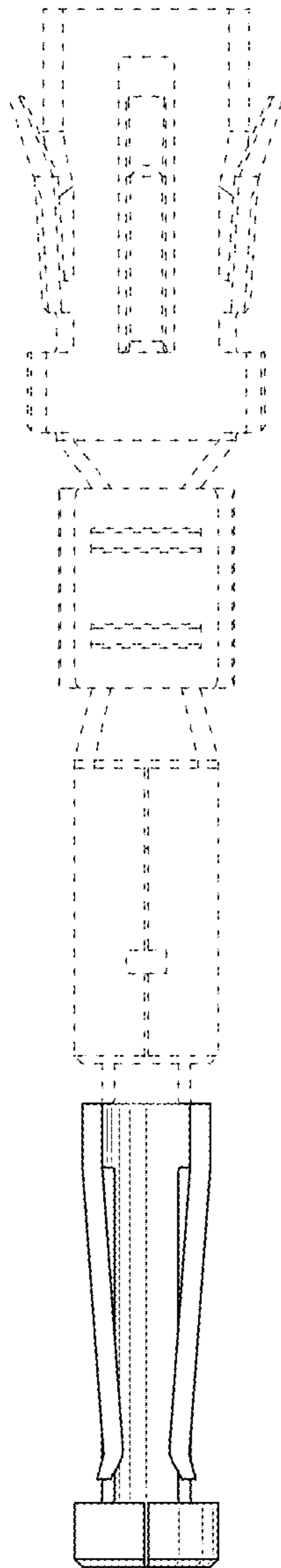


FIG. 5

