



US00D882517S

(12) **United States Design Patent** (10) **Patent No.:** **US D882,517 S**
Garvey et al. (45) **Date of Patent:** **** Apr. 28, 2020**

(54) **POWER SUPPLY CASE FOR WELDING, CUTTING, OR HEATING POWER**

(71) Applicant: **Illinois Tool Works Inc.**, Glenview, IL (US)

(72) Inventors: **Paul William Garvey**, Freedom, WI (US); **Tiffany Anne Carter**, Greenville, WI (US); **Kenneth Carl Altekruze**, Appleton, WI (US)

(73) Assignee: **Illinois Tool Works Inc.**, Glenview, IL (US)

(**) Term: **15 Years**

(21) Appl. No.: **29/654,916**

(22) Filed: **Jun. 28, 2018**

(51) **LOC (12) Cl.** **13-02**

(52) **U.S. Cl.**
USPC **D13/110**

(58) **Field of Classification Search**
 USPC D13/110, 103, 107, 108, 118, 119, 123, D13/133, 137.1, 177, 184, 199; D14/240, D14/251, 356, 432, 433, 434; 174/53, 174/54, 59, 61; 307/11, 150, 151; 320/107, 111, 112, 113, 114, 115; 361/679.01; 363/142, 146; 439/131, 439/172, 626, 628, 638
 CPC G06F 1/181; G06F 1/188; G06F 1/189; H02M 7/00; H02M 7/02; H02M 7/003; H02K 5/00; H02K 5/0017; H02K 7/00; H02K 7/1427; H02K 7/20918

See application file for complete search history.

(56) **References Cited**

U.S. PATENT DOCUMENTS

D376,347 S *	12/1996	Mousa	D13/110
D488,441 S *	4/2004	Ogawa	D13/110
D553,564 S *	10/2007	Kuo	D13/110
7,869,191 B2 *	1/2011	Yang	H02J 9/061 307/66
D695,697 S *	12/2013	Saari	D13/177
D705,162 S *	5/2014	Mueller	D13/110

* cited by examiner

Primary Examiner — Derrick E Holland

(74) *Attorney, Agent, or Firm* — McAndrews, Held & Malloy, Ltd.

(57) **CLAIM**

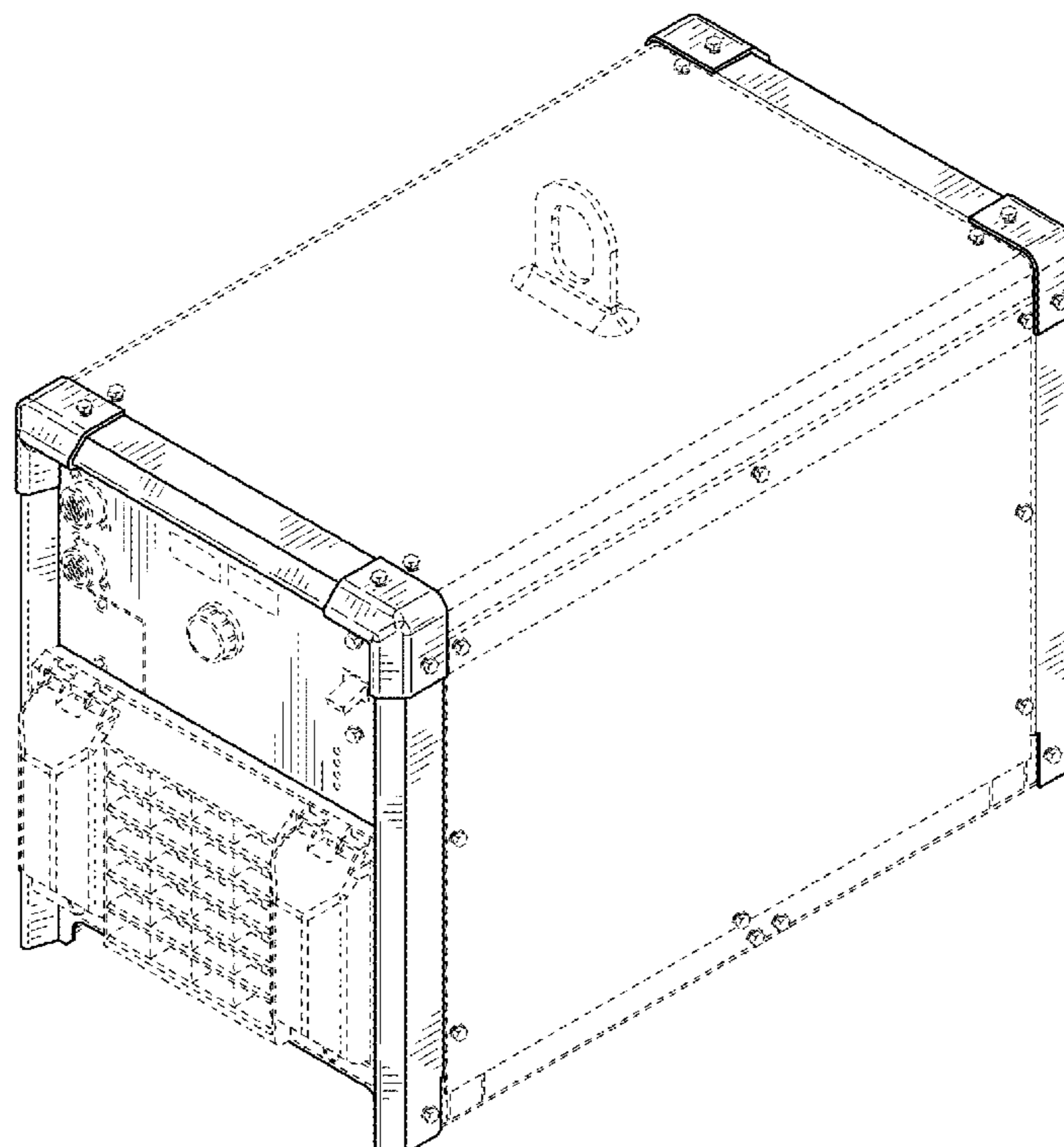
The ornamental design for a power supply case for welding, cutting, or heating power, as shown and described.

DESCRIPTION

FIG. 1 is a top perspective view of a power supply case for welding, cutting, or heating power showing our new design; FIG. 2 is a front elevation view thereof; FIG. 3 is a rear elevation view thereof; FIG. 4 is a right-side elevation view thereof; FIG. 5 is a left-side elevation view thereof; FIG. 6 is a top plan view thereof; and, FIG. 7 is a bottom plan view thereof.

The dashed broken lines in the figures depict portions of the power supply cases that form no part of the claimed designs.

1 Claim, 4 Drawing Sheets



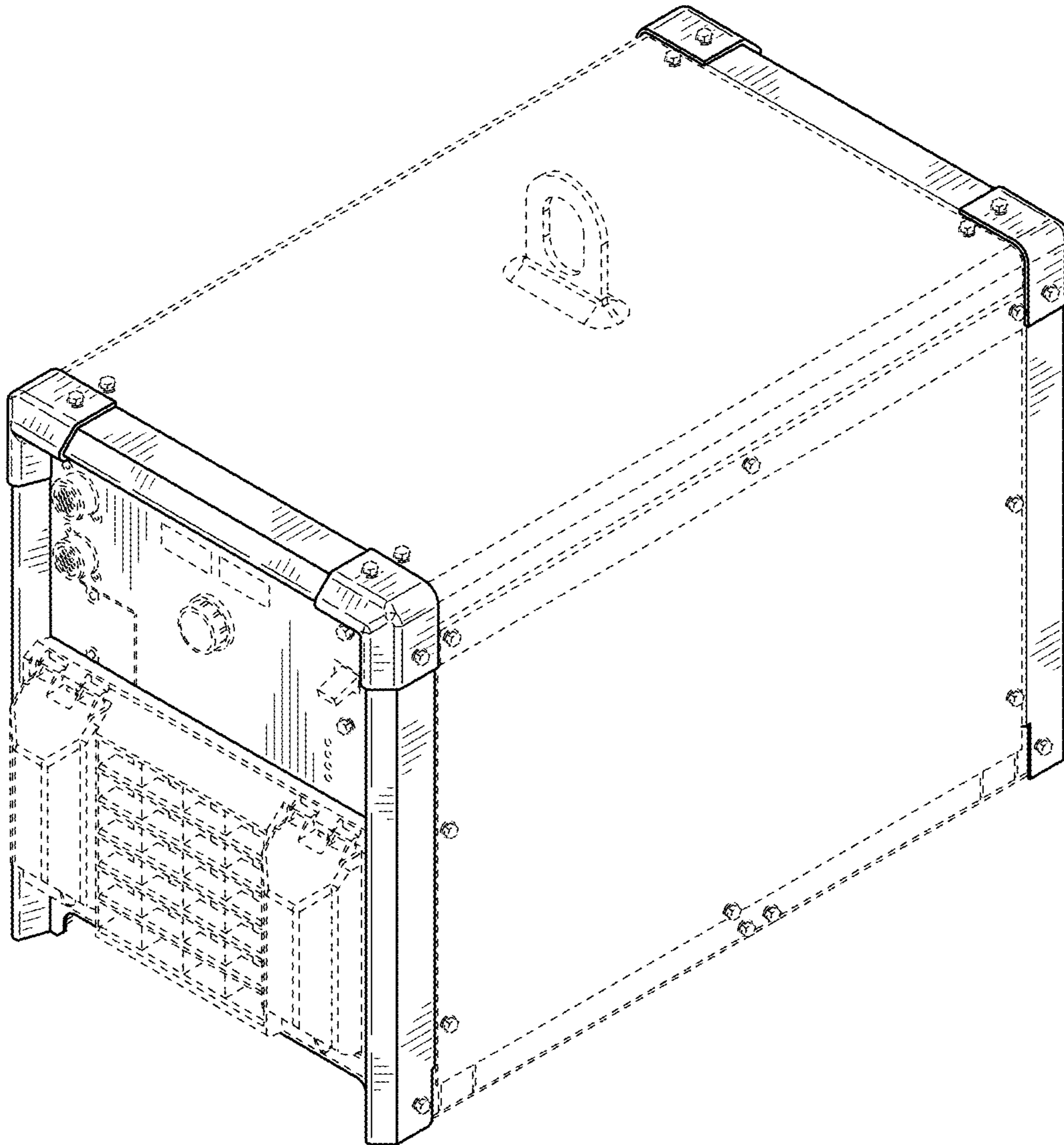


FIG. 1

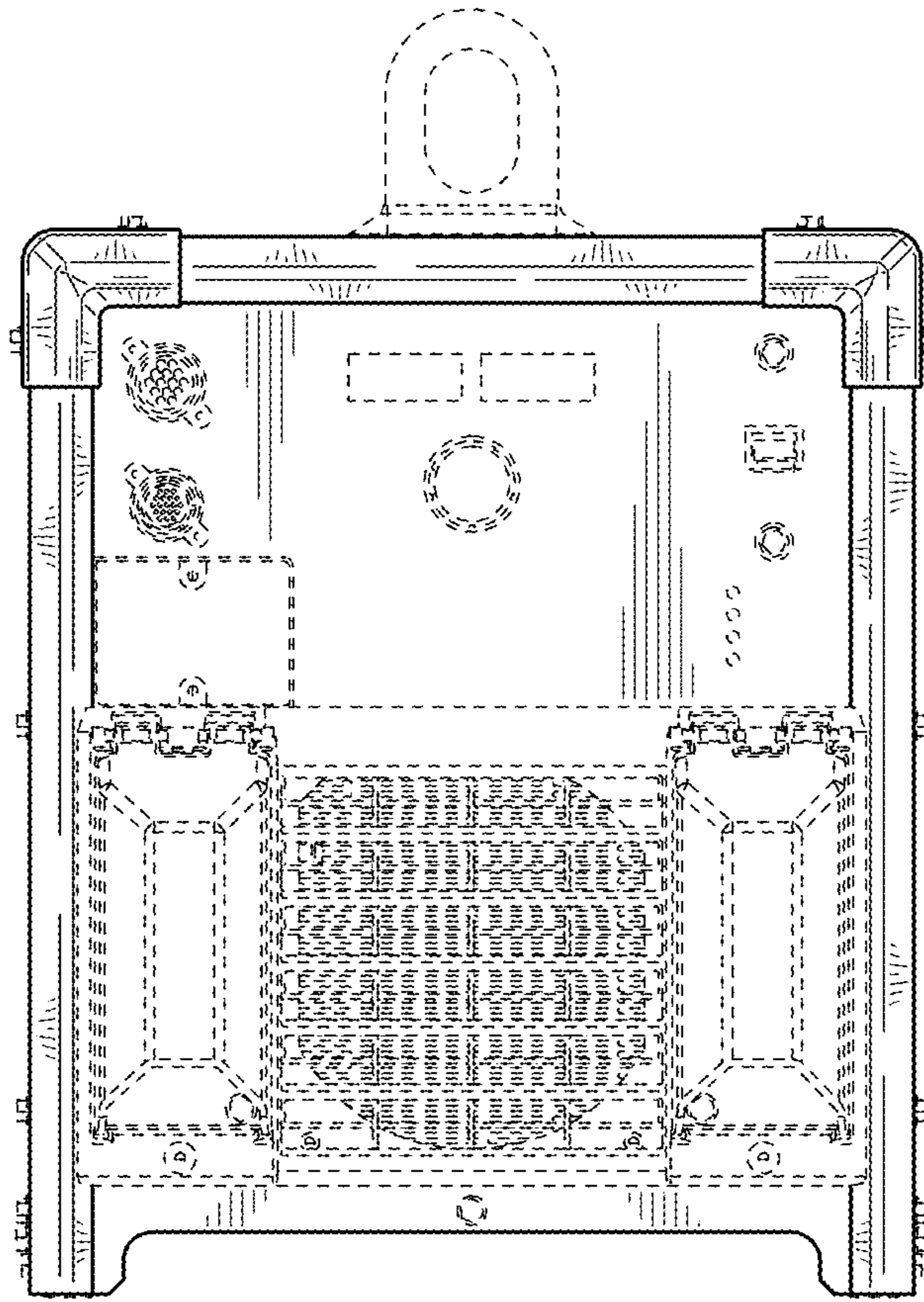


FIG. 2

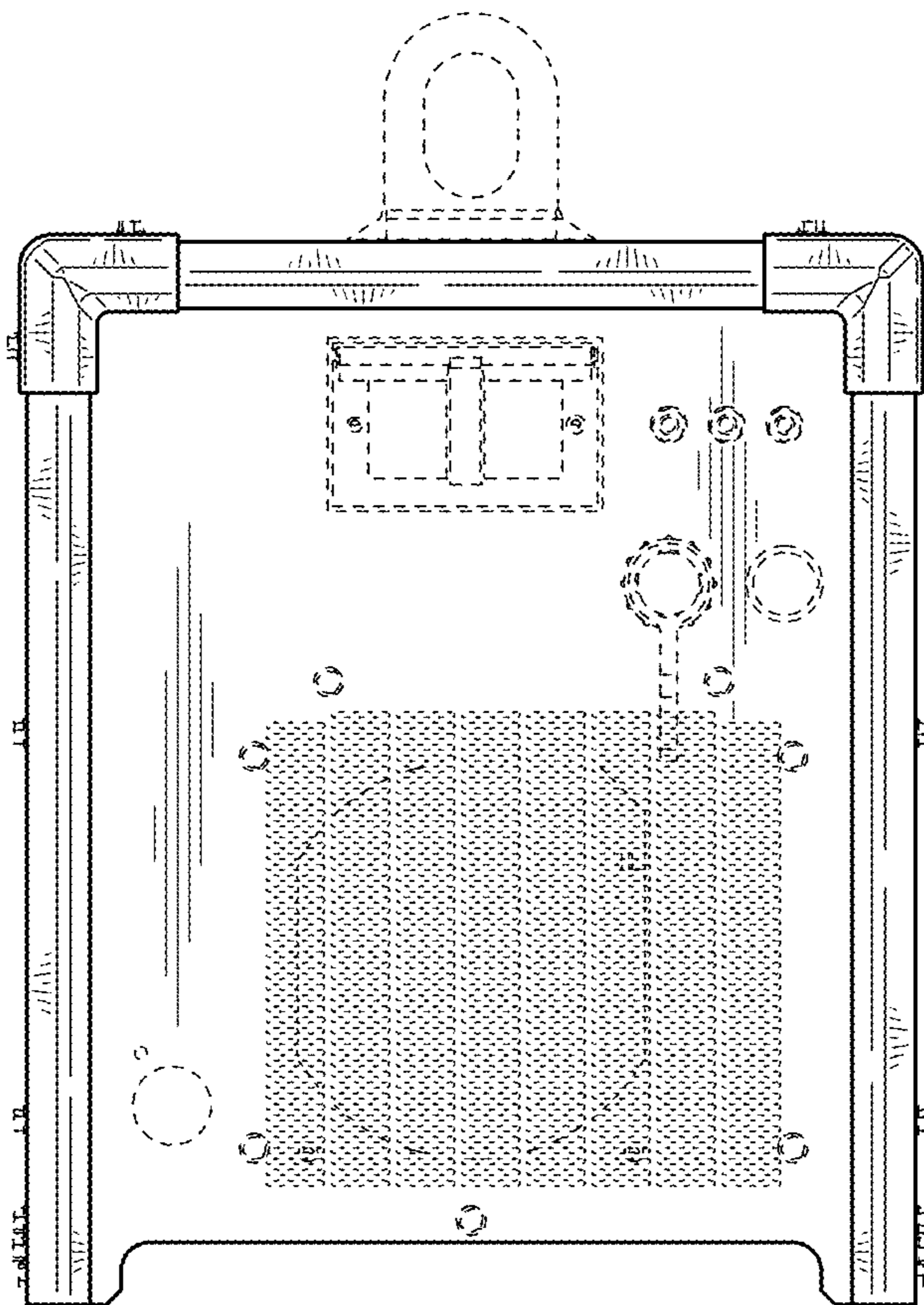


FIG. 3

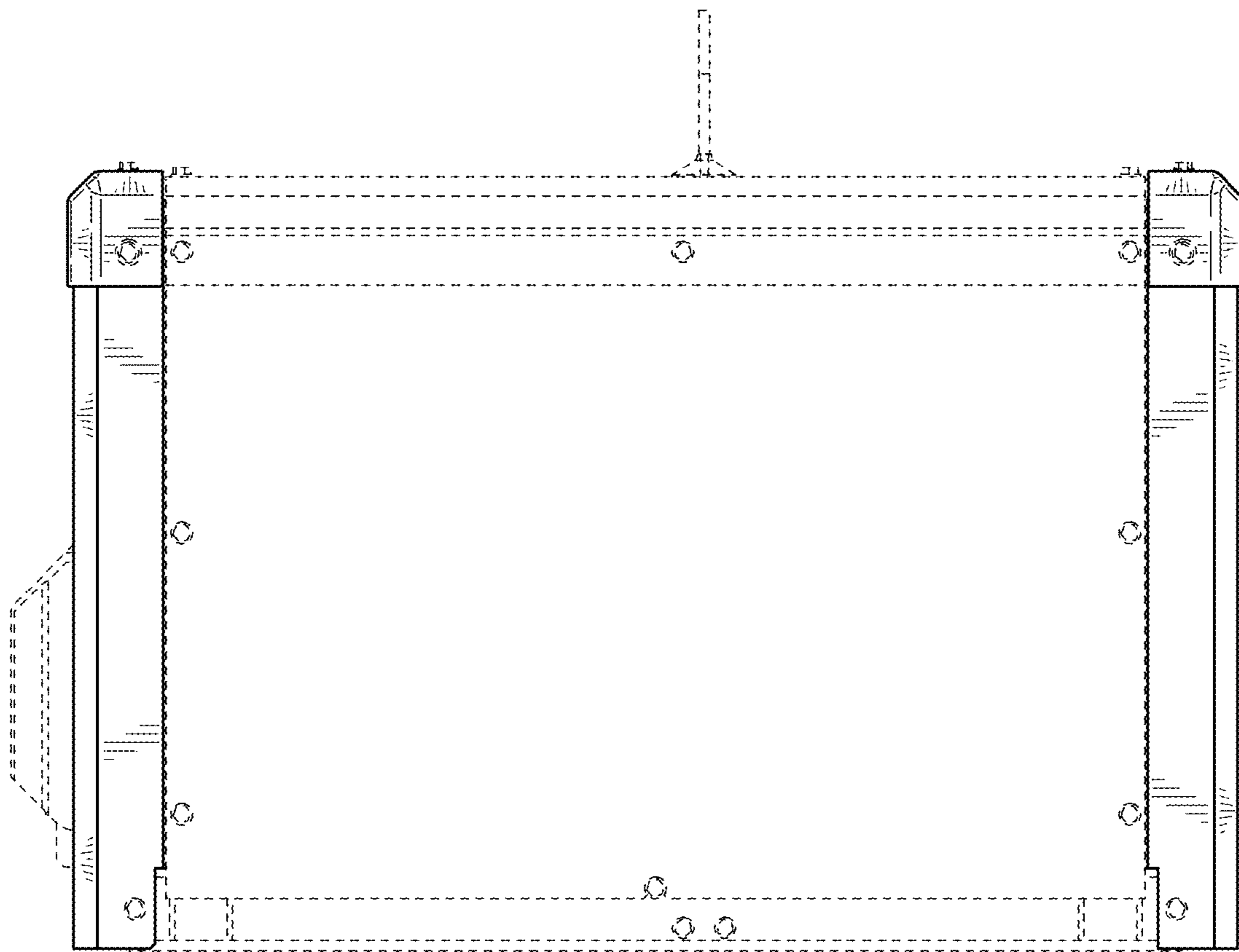


FIG. 4

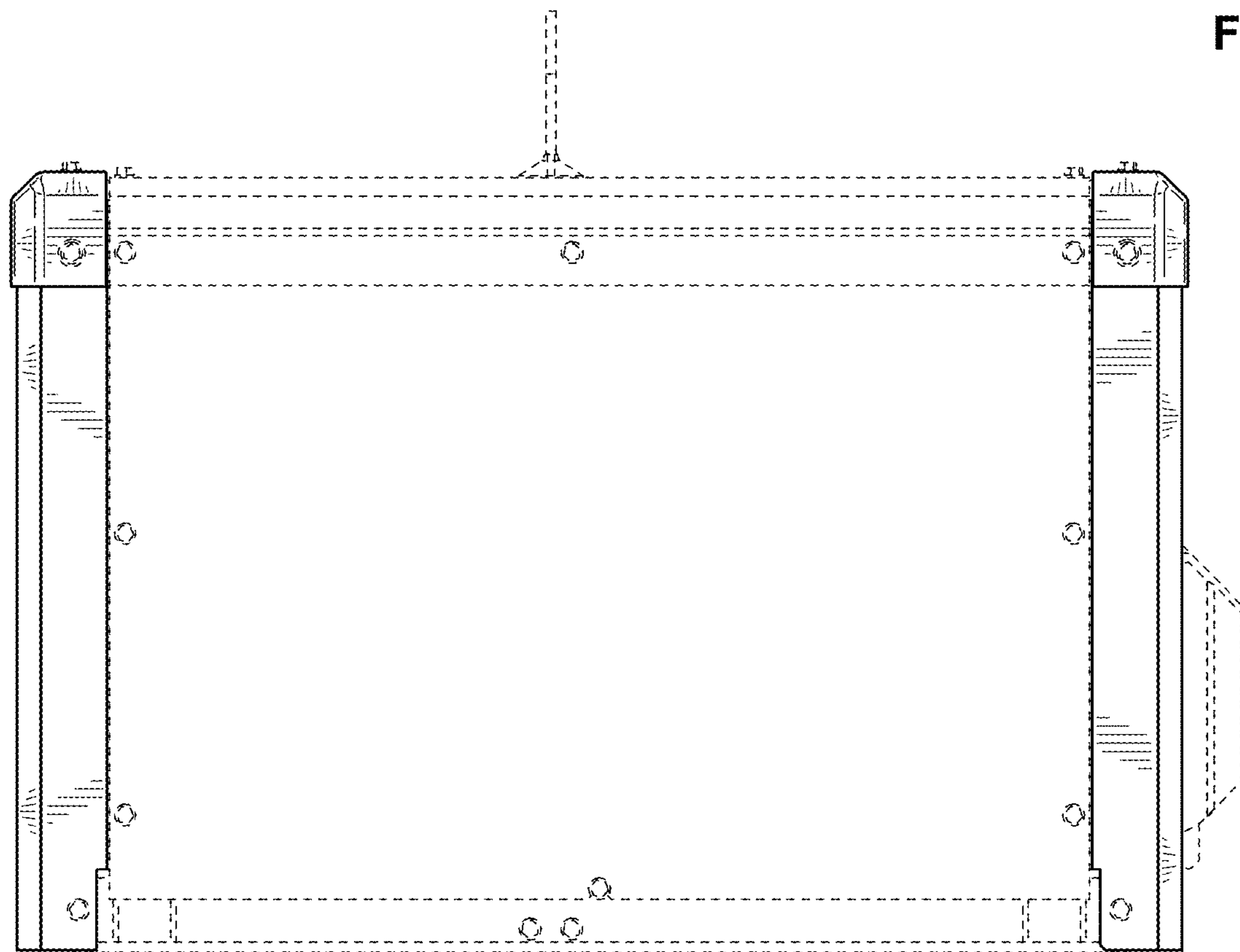


FIG. 5

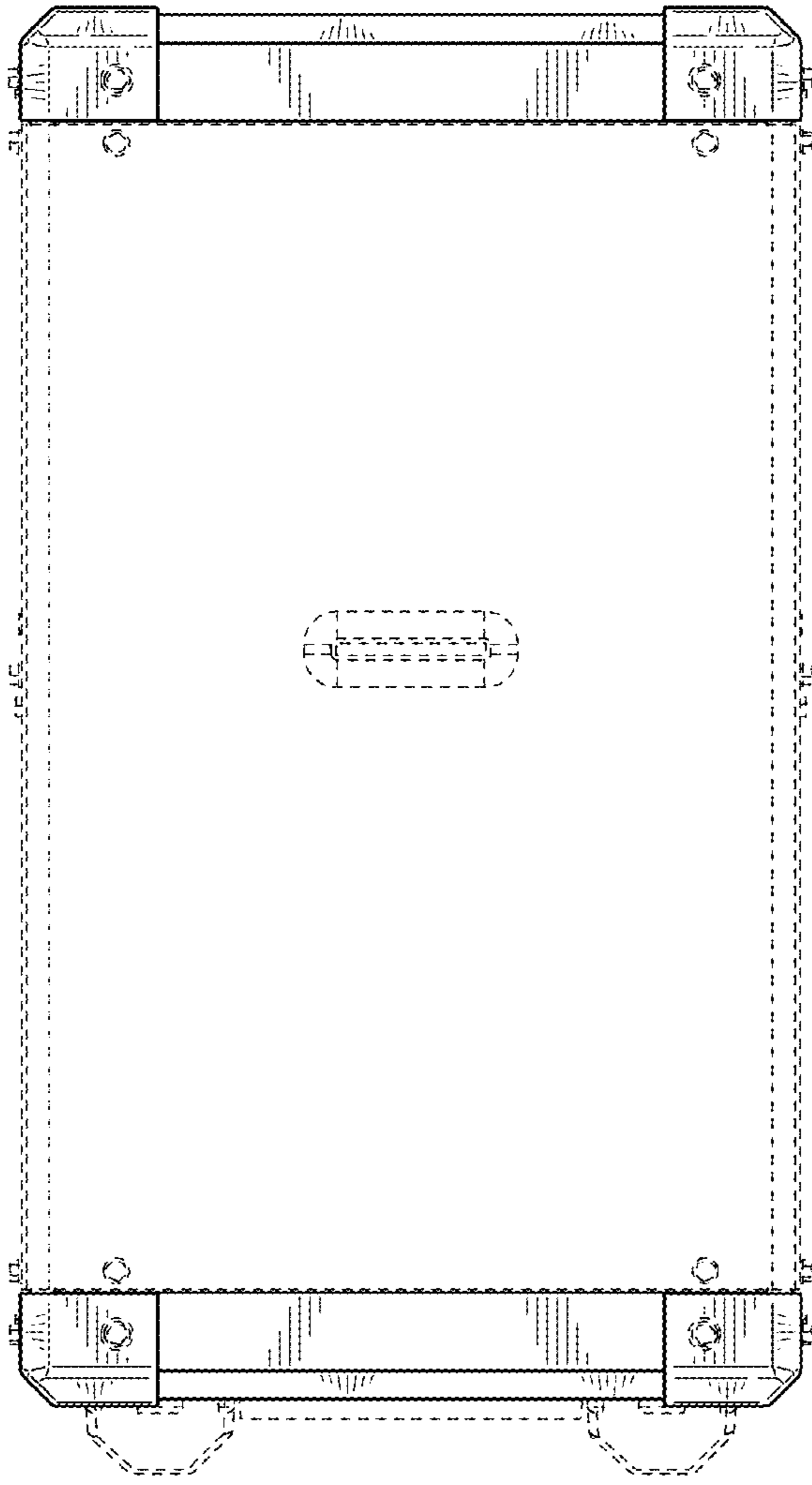


FIG. 6

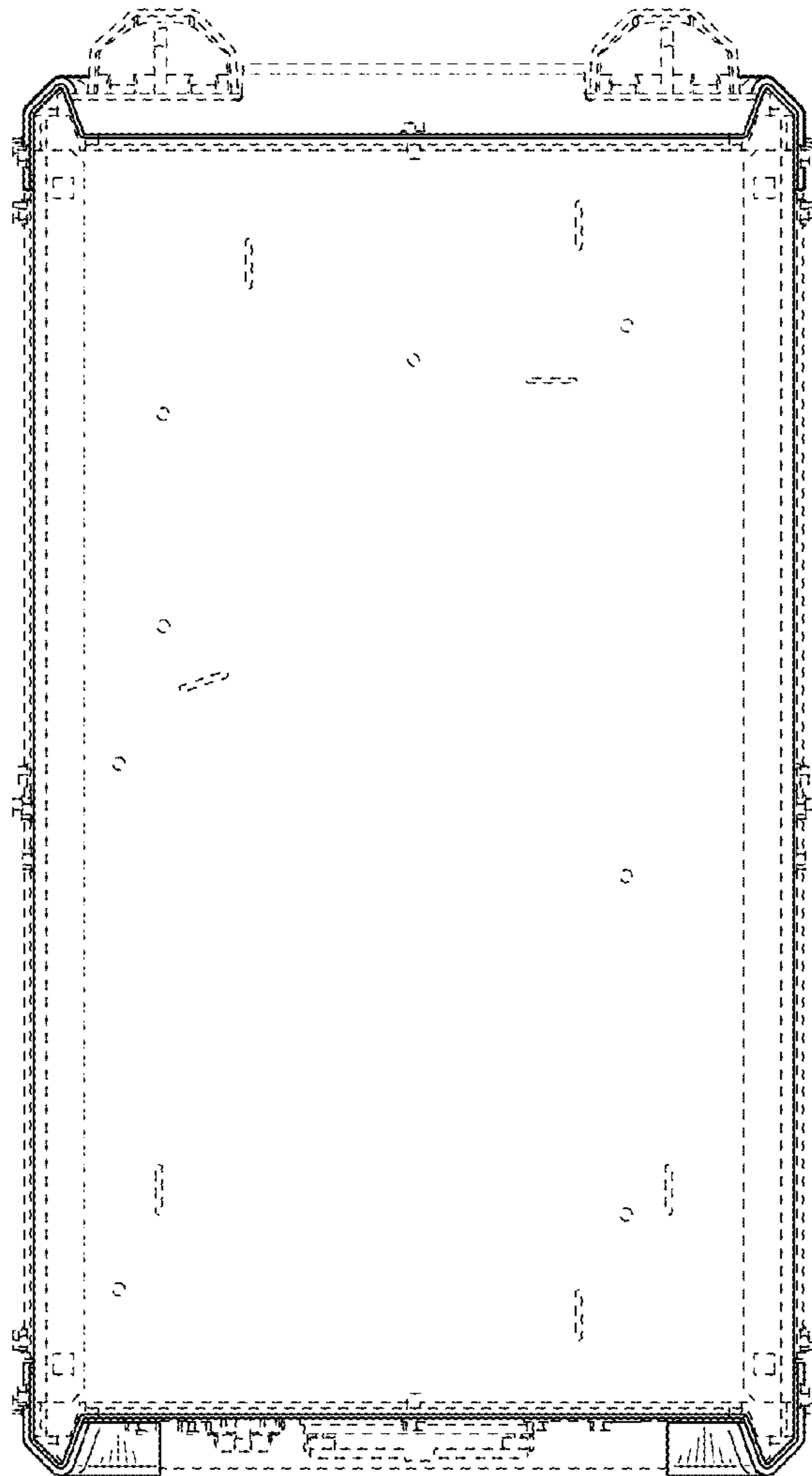


FIG. 7