



US00D882513S

(12) **United States Design Patent** (10) **Patent No.:** **US D882,513 S**
Schumacher (45) **Date of Patent:** **** Apr. 28, 2020**

(54) **ACCUMULATOR**

(71) Applicant: **Robert Bosch GmbH**, Stuttgart (DE)

(72) Inventor: **Christoph Schumacher**, Dusslingen (DE)

(73) Assignee: **Robert Bosch GmbH**, Stuttgart (DE)

(**) Term: **15 Years**

(21) Appl. No.: **29/623,868**

(22) Filed: **Oct. 27, 2017**

(30) **Foreign Application Priority Data**

Apr. 27, 2017 (EM) 003874940

(51) **LOC (12) Cl.** **13-02**

(52) **U.S. Cl.**
USPC **D13/110**

(58) **Field of Classification Search**

USPC D13/110, 101, 103, 107, 108, 118, 133,
D13/162, 184, 199; D15/148, 199;
D20/9; 307/46, 66, 67, 151, 152;
310/83, 90, 98; 194/215, 216, 220, 225,
194/228; 237/75; 903/903, 960
CPC Y02E 60/12; Y02E 60/50; Y02E 60/122;
Y02E 60/124; H01M 2/02; H01M 2/022;
H01M 2/0202; H01M 2/0207; H01M
2/0212; H01M 2/1022; H01M 2/1055;
H01M 2/1061; H01M 10/48; H01M
10/0436

See application file for complete search history.

(56) **References Cited**

U.S. PATENT DOCUMENTS

D438,169 S * 2/2001 Minagawa D13/103
D665,346 S * 8/2012 Kumagai D13/108
D685,735 S * 7/2013 Wang D13/110
D695,219 S * 12/2013 Dasbach D13/110

(Continued)

Primary Examiner — Derrick E Holland

(74) *Attorney, Agent, or Firm* — Maginot, Moore & Beck LLP

(57) **CLAIM**

The ornamental design for an accumulator, as shown and described.

DESCRIPTION

Cross reference is made to copending U.S. Design patent application Ser. No. 29/576,267 entitled “Accumulator” by Greiner, Rinaldo, which was filed on Sep. 1, 2016; U.S. Design patent application Ser. No. 29/576,271 entitled “Accumulator” by Greiner, Rinaldo, which was filed on Sep. 1, 2016; U.S. Design patent application Ser. No. 29/623,876 entitled “Accumulator” by Schumacher, Christoph, which was filed on even date herewith; U.S. Design patent application Ser. No. 29/623,881 entitled “Accumulator” by Schumacher, Christoph, which was filed on even date herewith; and U.S. Design patent application Ser. No. 29/623,892 entitled “Accumulator” by Schumacher, Christoph, which was filed on even date herewith.

FIG. 1 is a perspective view of an accumulator showing my new design;

FIG. 2 is a right side elevational view of the accumulator of FIG. 1;

FIG. 3 is a left side elevational view of the accumulator of FIG. 1;

FIG. 4 is a top plan view of the accumulator of FIG. 1;

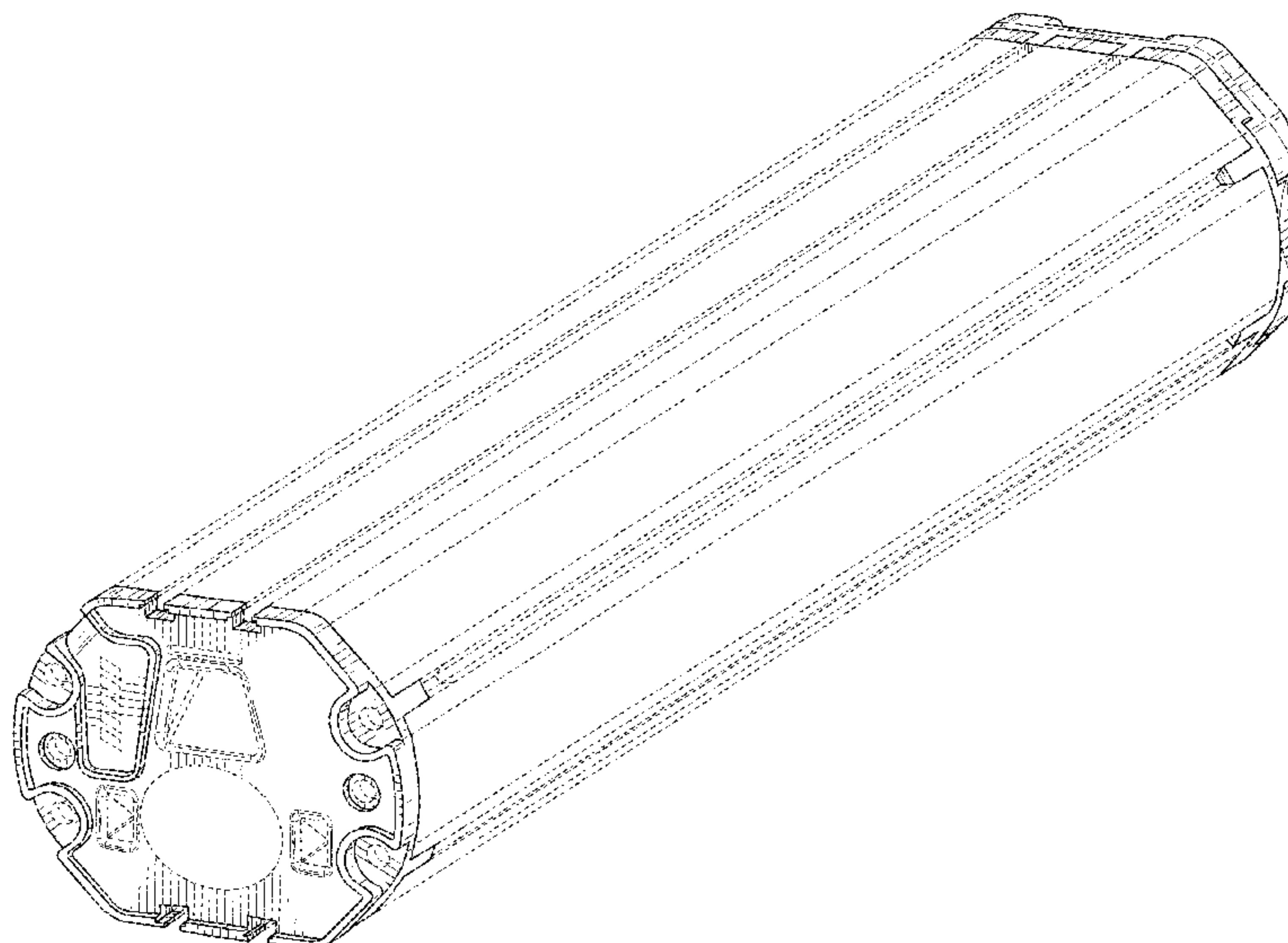
FIG. 5 is a bottom plan view of the accumulator of FIG. 1;

FIG. 6 is a front elevational view of the accumulator of FIG. 1; and,

FIG. 7 is a rear elevational view of the accumulator of FIG. 1.

The broken lines shown in the drawings illustrate portions of the accumulator that form no part of the claimed design.

1 Claim, 4 Drawing Sheets



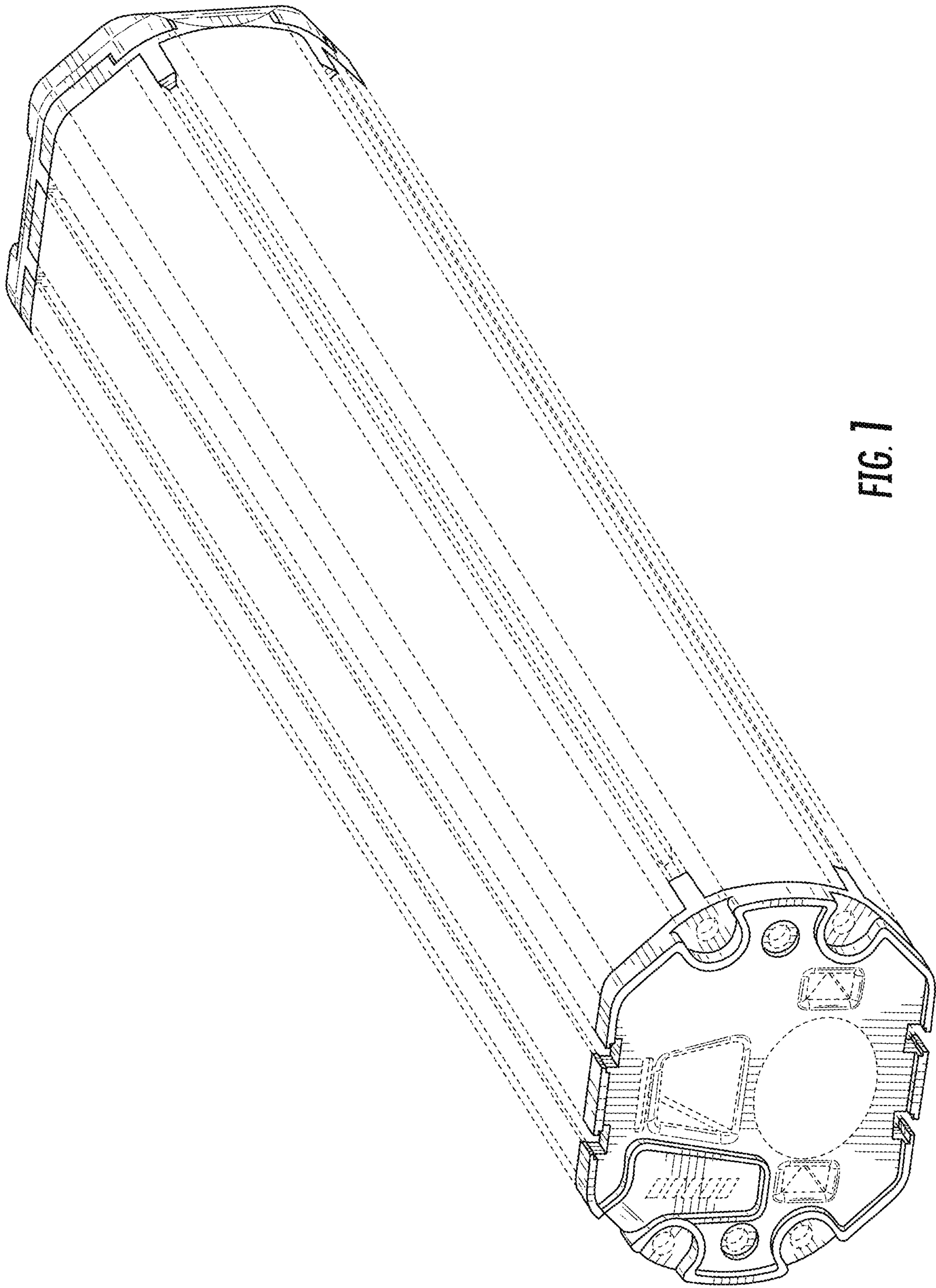
(56)

References Cited

U.S. PATENT DOCUMENTS

D716,729 S * 11/2014 Kelly D13/110
D756,920 S * 5/2016 Dasbach D13/110

* cited by examiner



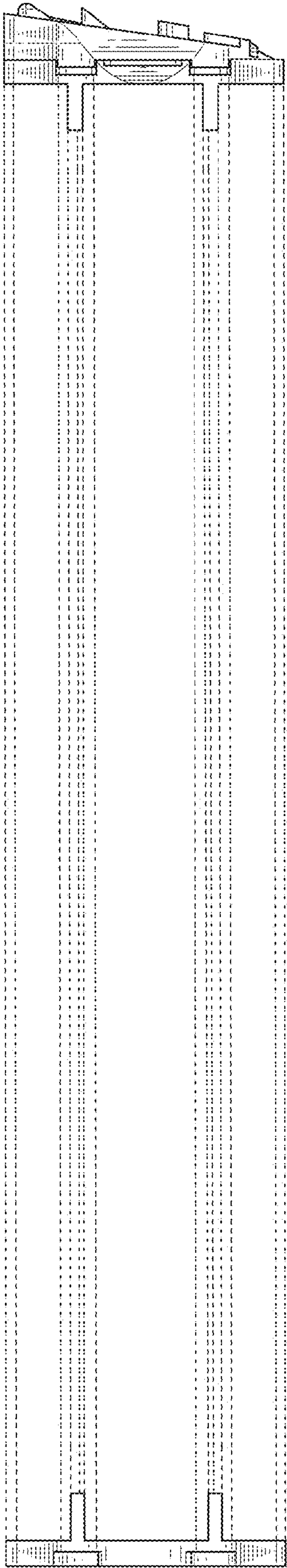


FIG. 2

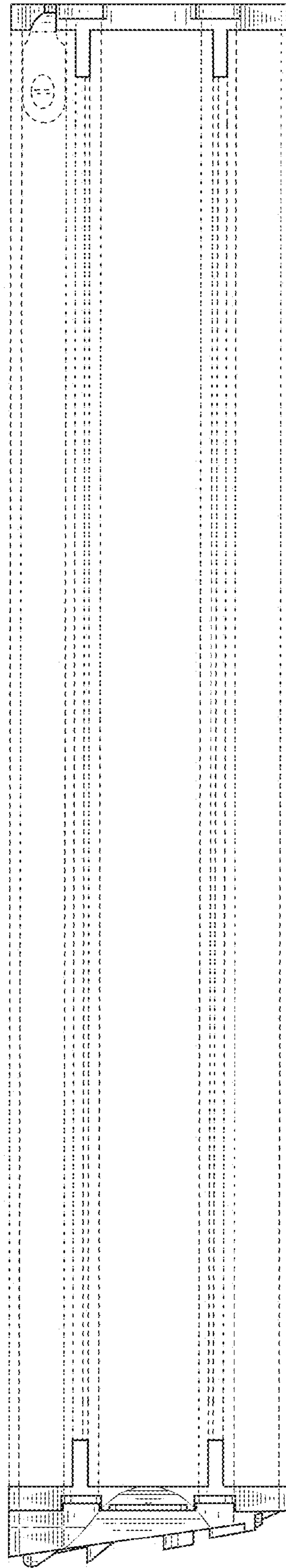


FIG. 3

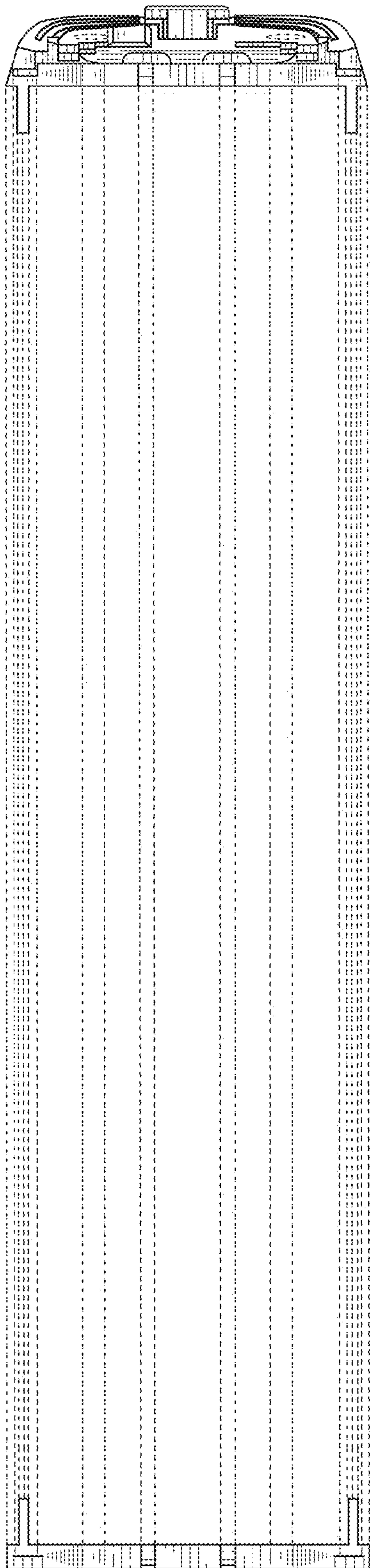


FIG. 4

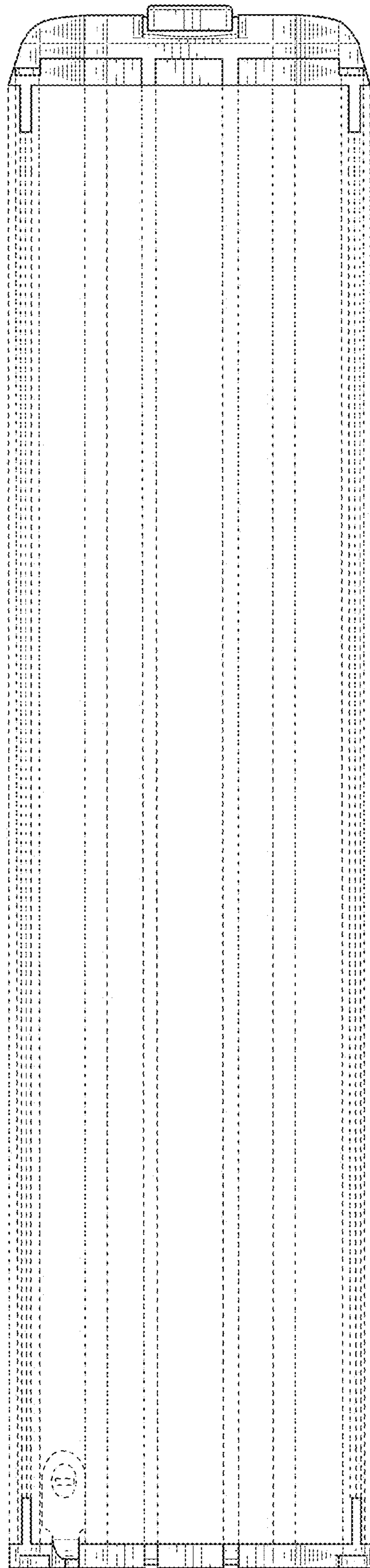


FIG. 5

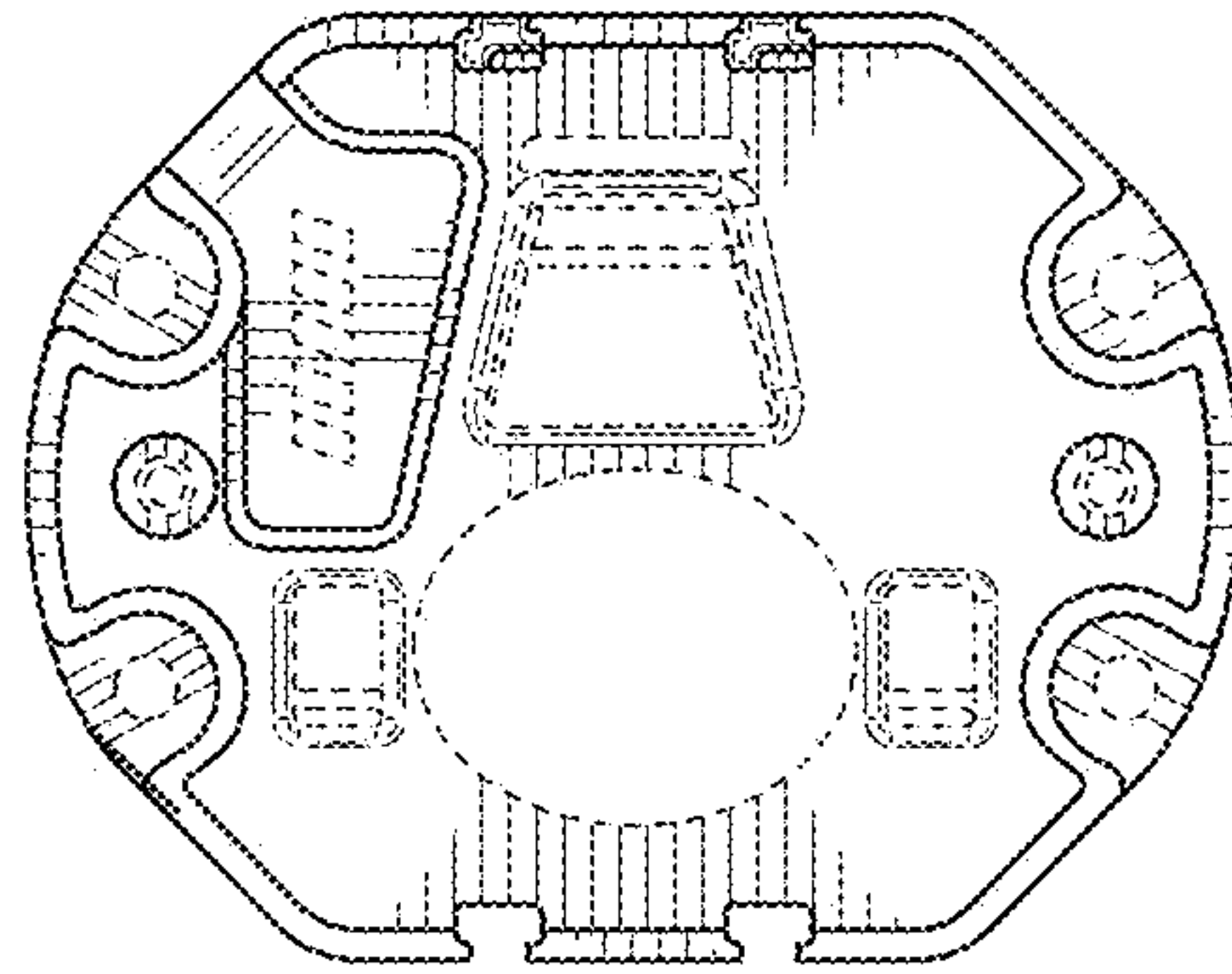


FIG. 6

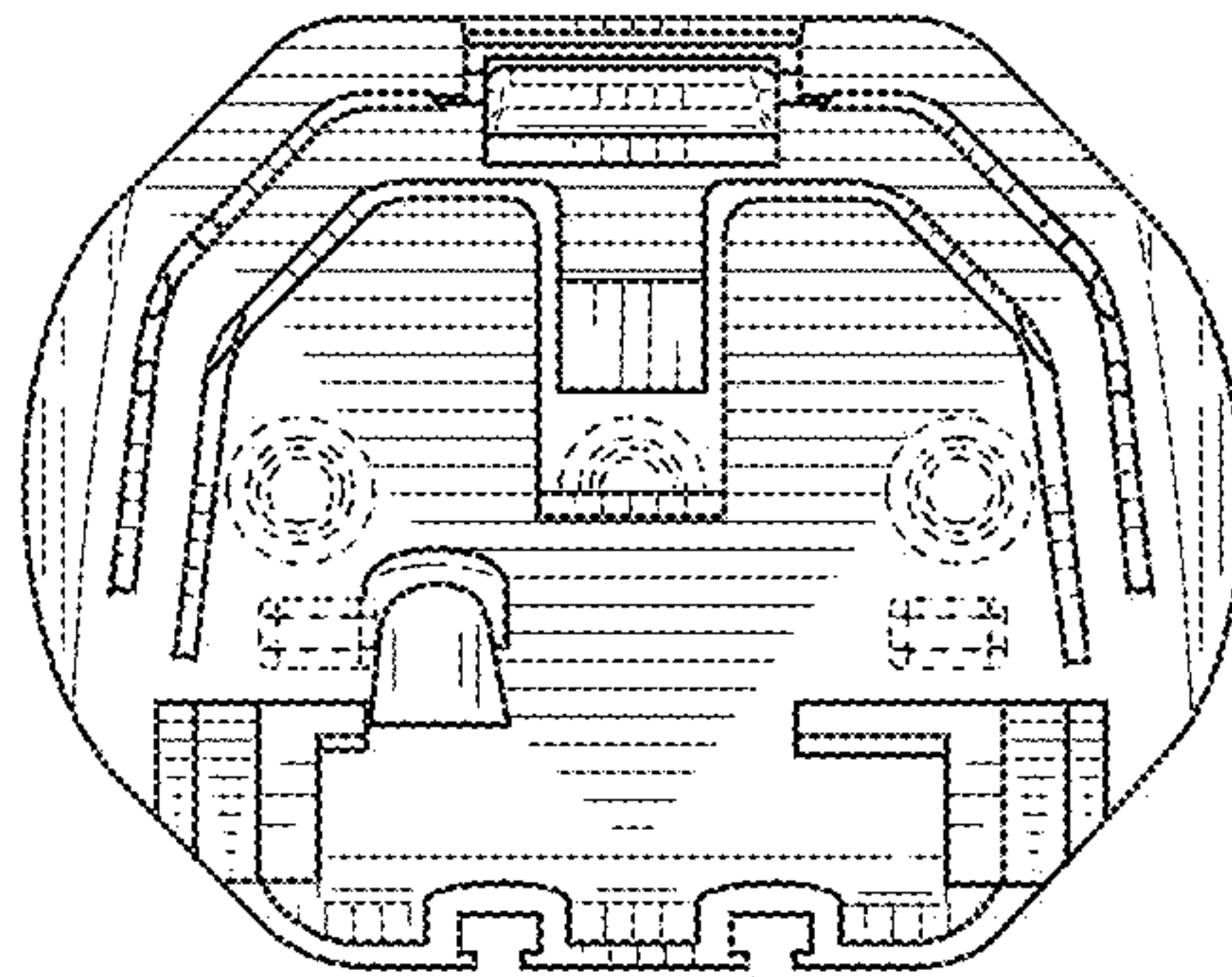


FIG. 7