



US00D882511S

(12) **United States Design Patent** (10) **Patent No.:** **US D882,511 S**  
**Heroux** (45) **Date of Patent:** **\*\* Apr. 28, 2020**

(54) <b>BATTERY CASE</b>	4,129,346 A	12/1978	Hofman
	D251,214 S	2/1979	Coleman et al.
	D252,115 S	6/1979	Herring
	D253,438 S	11/1979	Markley
	4,344,646 A *	8/1982	Michel ..... A45C 13/1084 220/326
(71) Applicant: <b>Hip Innovations, LLC</b> , Calabasas, CA (US)			
(72) Inventor: <b>Steve Heroux</b> , Hidden Hills, CA (US)	D275,833 S	10/1984	Malpass
	D278,096 S	3/1985	Walker et al.
(73) Assignee: <b>HIP INNOVATIONS, LLC</b> , Calabasas, CA (US)	4,671,405 A	6/1987	Hagan
	D301,575 S	6/1989	Crawford, Jr.
	D332,442 S	1/1993	Simpson, Sr.
(**) Term: <b>15 Years</b>	D343,289 S	1/1994	Duley
			(Continued)

(21) Appl. No.: **29/701,992**

(22) Filed: **Aug. 15, 2019**

**Related U.S. Application Data**

(62) Division of application No. 29/676,894, filed on Jan. 15, 2019.

(51) **LOC (12) Cl.** ..... **13-02**

(52) **U.S. Cl.**  
USPC ..... **D13/103**

(58) **Field of Classification Search**

USPC ..... D13/103, 119, 120, 184; D3/282, 905, D3/276, 274, 294, 900, 273, 284, 291  
CPC ..... A45C 11/00; A45C 13/02; A45C 13/1084; A45C 13/00; A45C 13/26; A45C 5/00; A45C 5/03; A61J 1/03; A61J 2205/30; A61J 7/0069; B25H 3/003; B25H 3/006; B25H 3/02; B25H 3/022; B25H 3/023; B25H 3/06; B65D 2525/283; B65D 2525/10; B65D 2525/2897; B65D 43/16; B65D 83/04; Y10T 292/087; Y10T 292/0902; Y10T 292/1085

See application file for complete search history.

(56) **References Cited**

**U.S. PATENT DOCUMENTS**

4,106,597 A	8/1978	Shook et al.
D249,589 S	9/1978	Adams
D249,590 S	9/1978	Berkman
D249,743 S	9/1978	Berkman

**OTHER PUBLICATIONS**

Massca Battery Storage Box. Amazon.com [online][published Apr. 17, 2018][Accessed Mar. 26, 2019]. <url:https://www.amazon.com/Massca-Battery-Storage-Organizer-compartments/product-reviews/B07BTP8W7/ref=cm\_cr\_ar\_p\_d\_paging\_btm\_next\_13?ie=UTF8&reviewerType=all\_reviews&pageNumber=13&sortBy=recent> (Year: 2016).

*Primary Examiner* — Nathaniel D. Buckner  
(74) *Attorney, Agent, or Firm* — Cislo & Thomas, LLP

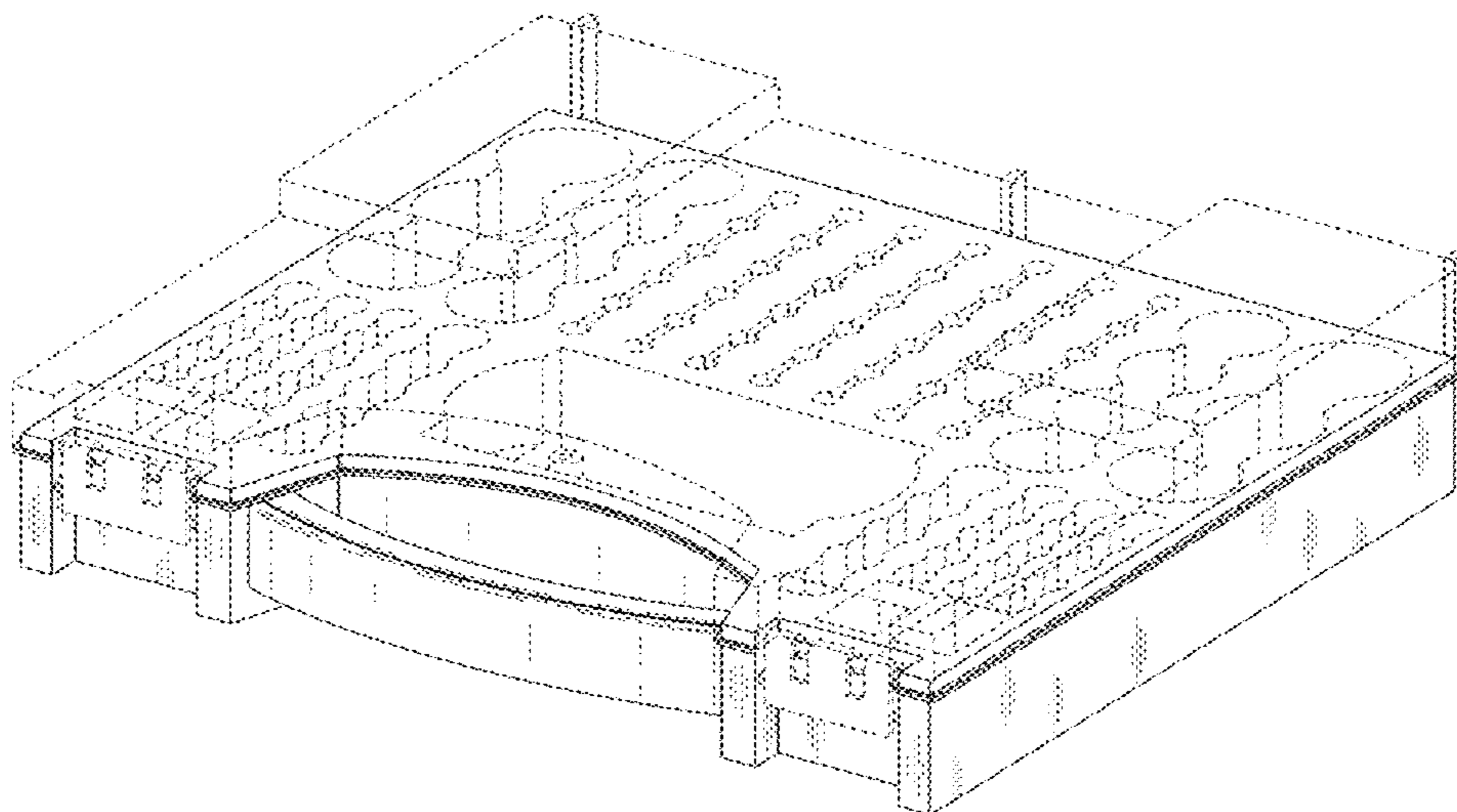
(57) **CLAIM**

The ornamental design for a battery case, as shown and described.

**DESCRIPTION**

FIG. 1 is a perspective view of a battery case showing my new design;  
FIG. 2 is a front view thereof;  
FIG. 3 is a rear view thereof;  
FIG. 4 is a left side view thereof;  
FIG. 5 is a right side view thereof;  
FIG. 6 is a top view thereof;  
FIG. 7 is a bottom view thereof; and,  
FIG. 8 is a second perspective view thereof.  
The broken lines shown in figures depict portions of the battery case that form no part of the claimed design.

**1 Claim, 5 Drawing Sheets**



(56)

References Cited

U.S. PATENT DOCUMENTS

D351,503 S *	10/1994	Bach	D3/273	D476,950 S	7/2003	Peress et al.	
D351,504 S *	10/1994	Tarozzi	D3/273	D478,209 S *	8/2003	Chen	D3/282
D358,709 S *	5/1995	Chang	D3/276	D479,630 S	9/2003	Lai	
5,470,255 A *	11/1995	McCleerey	H01M 2/1055	D481,026 S *	10/2003	Chunn	D14/168
			439/500	D482,869 S *	12/2003	Chen	D3/282
D367,557 S *	3/1996	Chang	D3/276	D485,435 S	1/2004	Coppedge et al.	
D368,159 S *	3/1996	Calmeise	D3/282	D485,682 S	1/2004	Wolf	
D376,690 S *	12/1996	Lockerby	D3/273	D489,684 S	5/2004	Takehima et al.	
D380,611 S	7/1997	Mancusi		D490,056 S	5/2004	Johnson et al.	
5,670,268 A	9/1997	Mancusi		D490,375 S	5/2004	Pomerance	
D412,397 S *	8/1999	Liu	D3/276	D490,977 S	6/2004	Freeman	
D418,678 S *	1/2000	Robson	D3/282	D505,549 S *	5/2005	Hosking	D14/509
D426,705 S *	6/2000	Fang	D3/276	D506,833 S	6/2005	Wescott, III	
D428,699 S *	8/2000	Gibson	D3/276	D516,811 S *	3/2006	Kahle	D3/282
6,152,303 A	11/2000	Ducote et al.		D529,716 S *	10/2006	Wang	D3/282
D439,879 S *	4/2001	Rotundo	D13/103	D543,358 S *	5/2007	Vasudeva	D3/282
D440,043 S *	4/2001	Miller	D3/282	D561,993 S *	2/2008	Bum	D3/282
D440,401 S	4/2001	Pauser et al.		D563,669 S *	3/2008	Bosak	D3/282
D445,758 S	7/2001	Killebrew et al.		D566,392 S *	4/2008	Aglassinger	D3/282
D462,520 S *	9/2002	Snider	D3/276	D568,046 S *	5/2008	Hsu	D3/282
D463,911 S *	10/2002	Chen	D3/282	D721,891 S	2/2015	Ben-Digi	
D468,688 S	1/2003	Helman		D723,802 S *	3/2015	Jones	D19/113
				D726,647 S *	4/2015	Laurino	D13/103
				D804,175 S *	12/2017	Nam	D3/282
				D825,465 S	8/2018	Deng	

\* cited by examiner



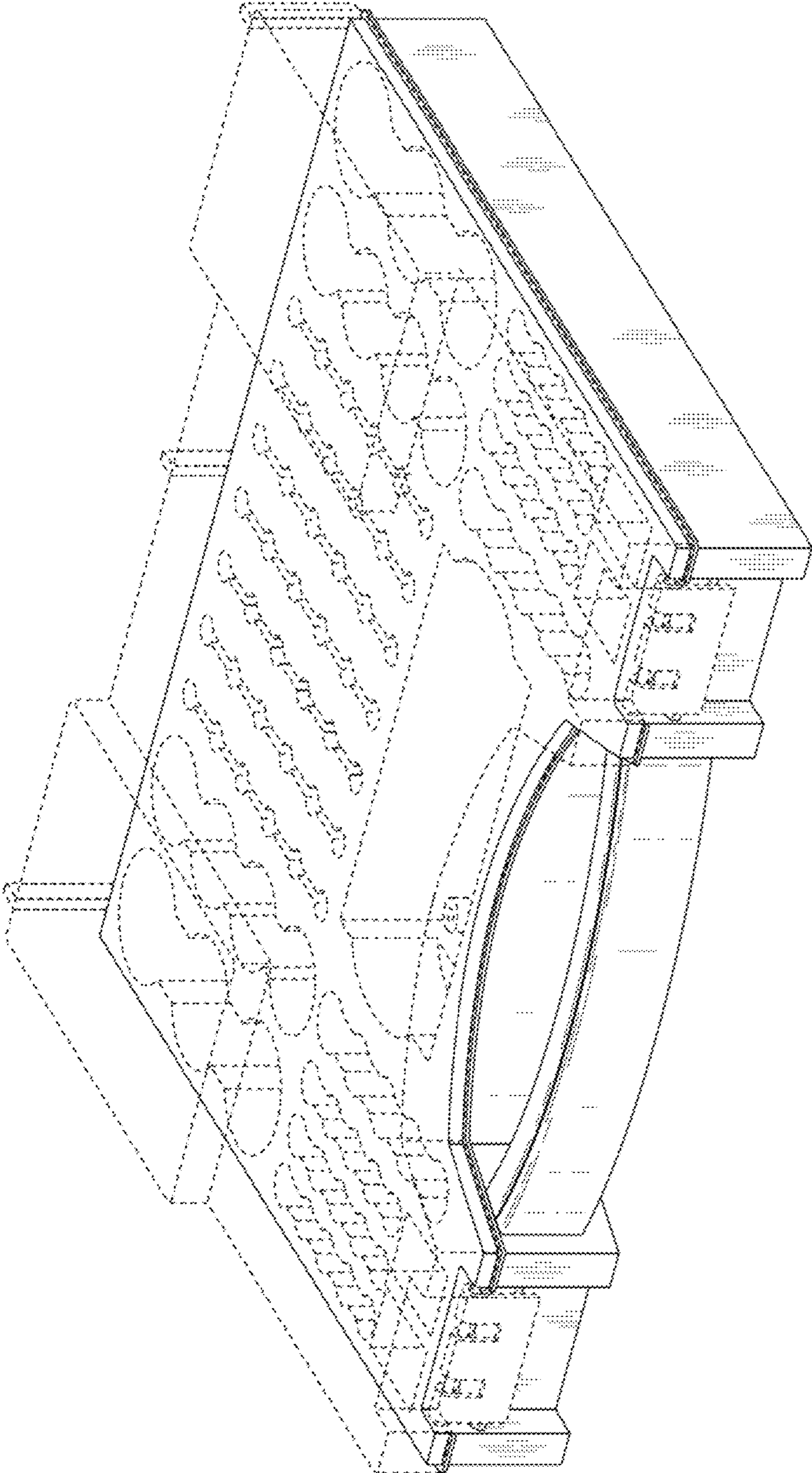
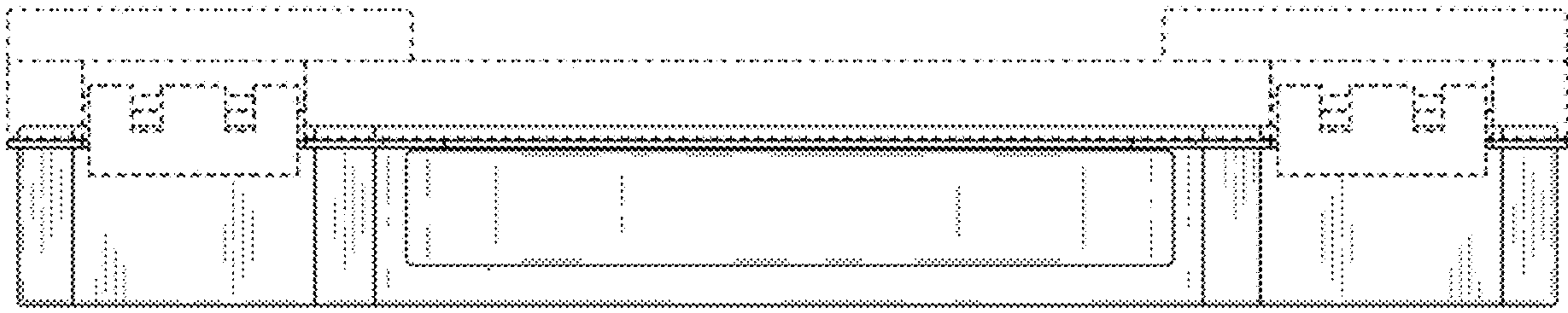
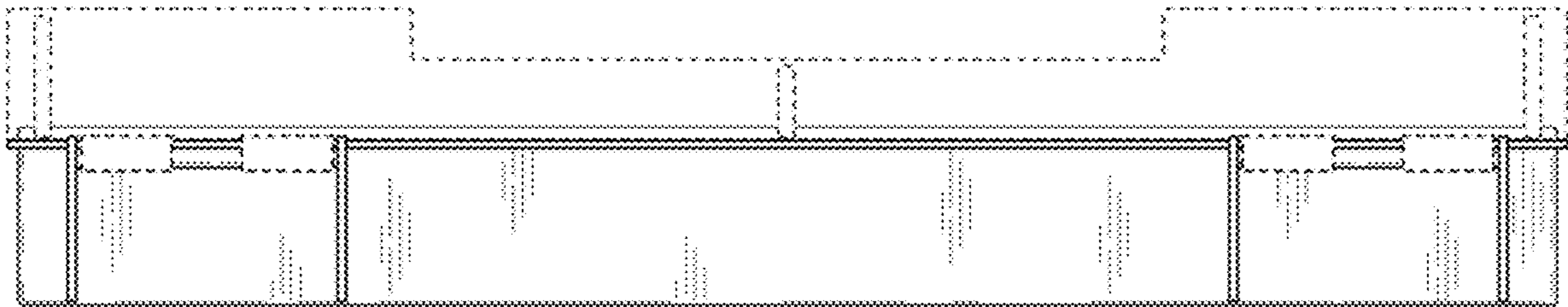


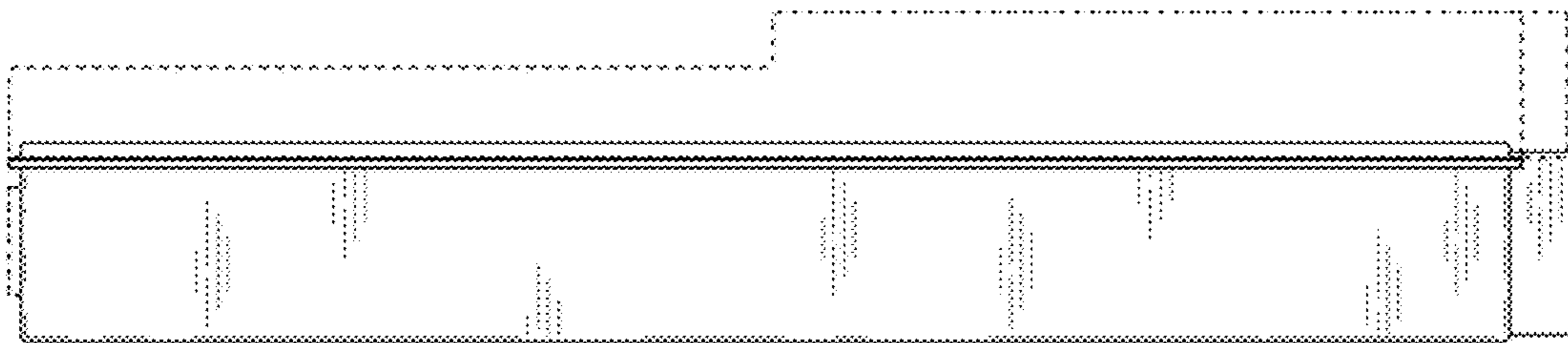
Fig. 1



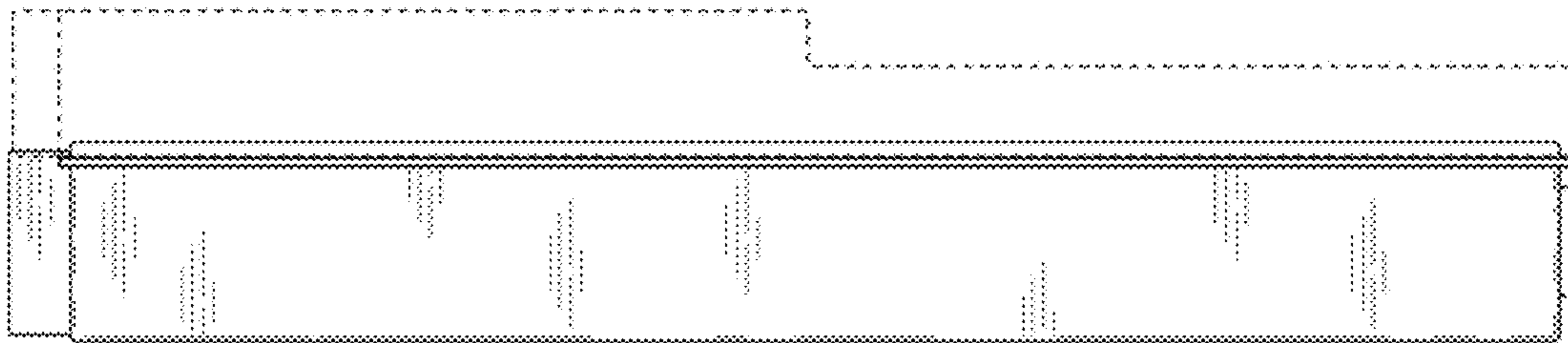
*Fig. 2*



*Fig. 3*



*Fig. 4*



*Fig. 5*

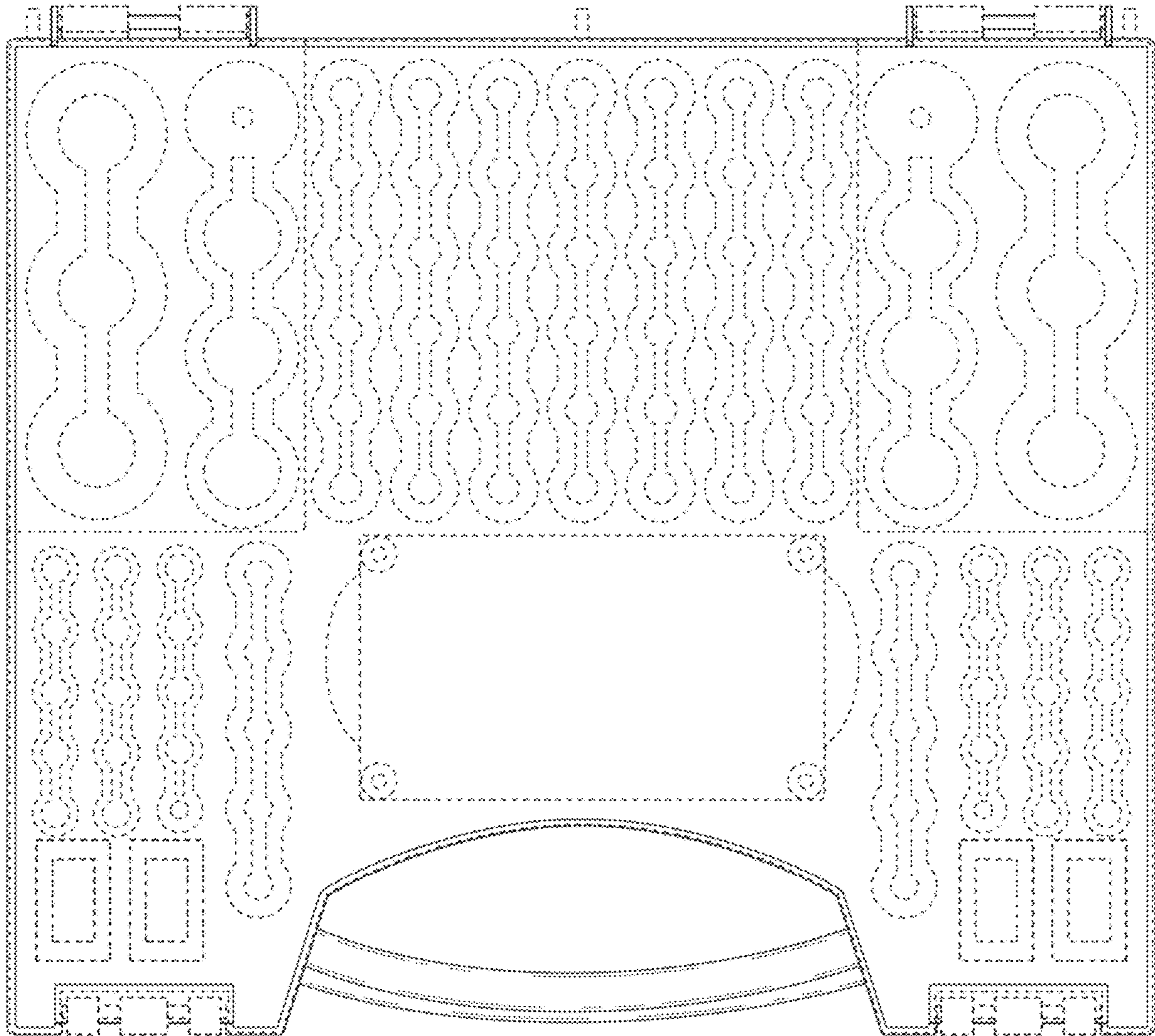
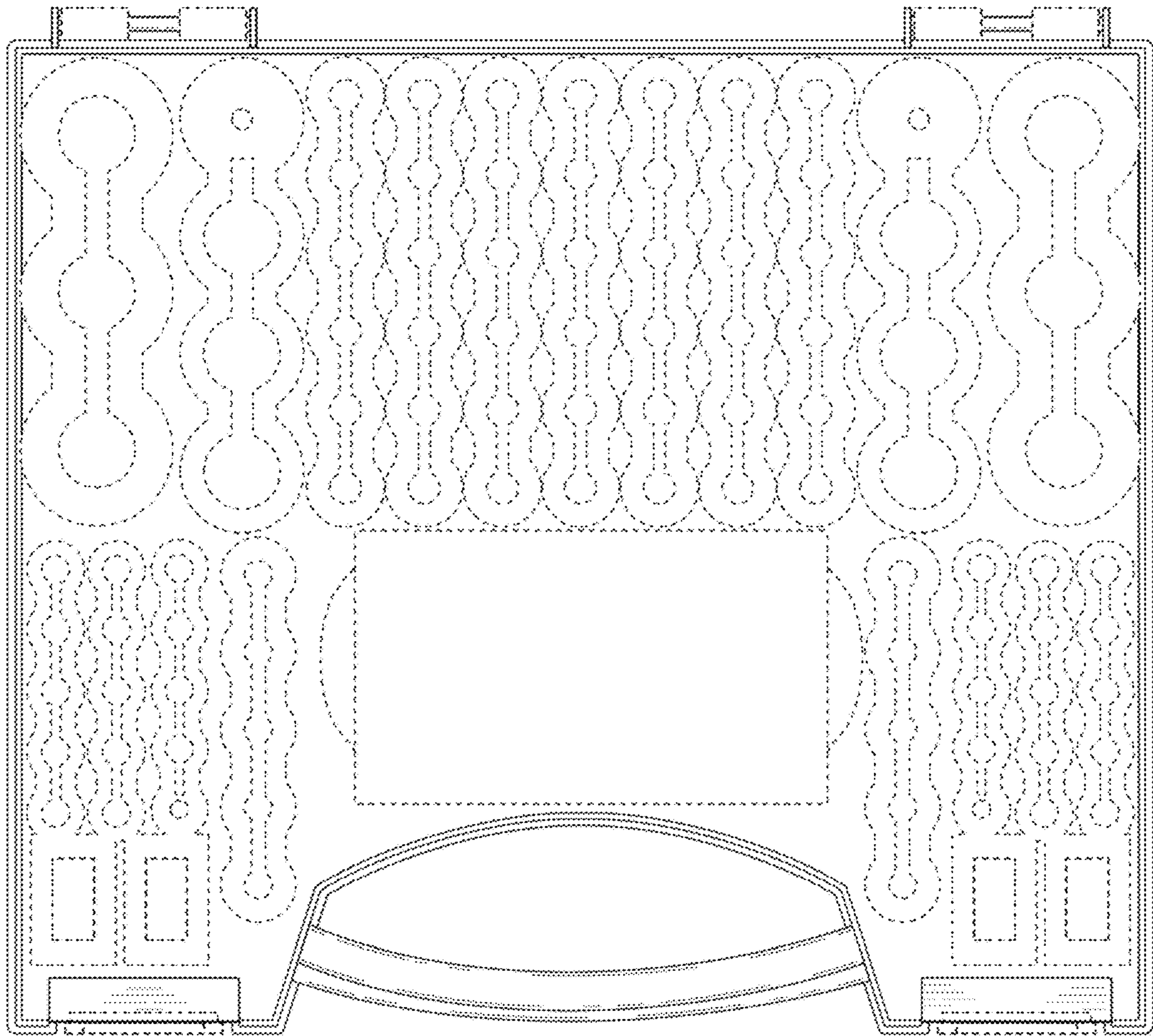


Fig. 6





*Fig. 7*

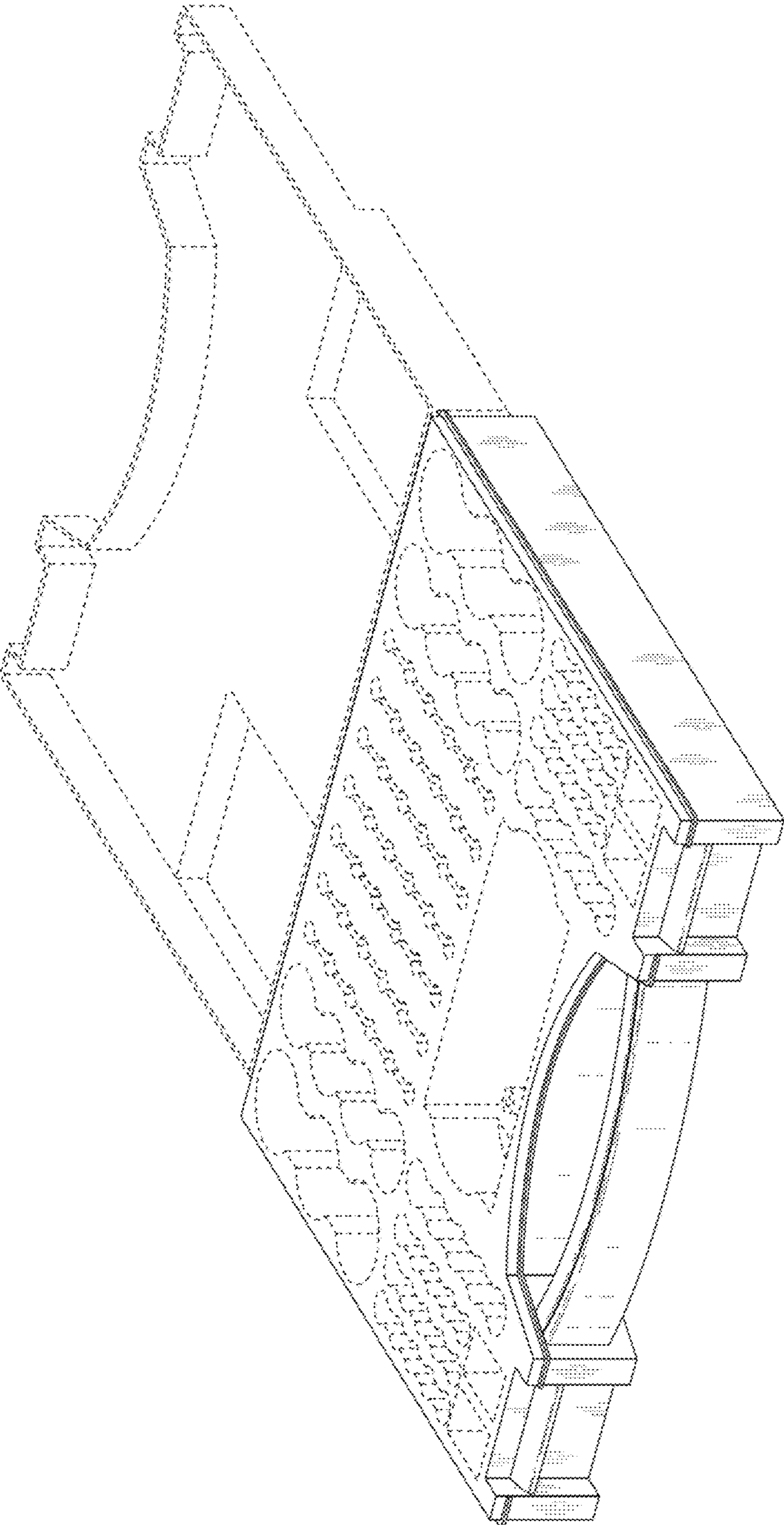


Fig. 8