



US00D882510S

(12) **United States Design Patent** (10) **Patent No.:** **US D882,510 S**
Theis (45) **Date of Patent:** **** Apr. 28, 2020**

(54) **BATTERY AND BATTERY HOLDER ASSEMBLY**

D695,218 S * 12/2013 Dasbach D13/110
D765,592 S * 9/2016 Friend D13/103
D801,918 S * 11/2017 Santurbane D13/103
D810,678 S * 2/2018 Choi D13/107

(71) Applicant: **Ergotron, Inc.**, St. Paul, MN (US)

(72) Inventor: **John William Theis**, St. Paul, MN (US)

(73) Assignee: **Ergotron, Inc.**, St. Paul, MN (US)

(**) Term: **15 Years**

(21) Appl. No.: **29/654,878**

(22) Filed: **Jun. 28, 2018**

Related U.S. Application Data

(63) Continuation-in-part of application No. 29/639,256, filed on Mar. 5, 2018.

(51) **LOC (12) Cl.** **13-02**

(52) **U.S. Cl.**
USPC **D13/103**

(58) **Field of Classification Search**
USPC D13/103–110, 118–119, 112–116
CPC H02J 7/0042; H02J 7/0045; H02J 7/0054;
H02J 7/0044; H02J 2007/0062
See application file for complete search history.

(56) **References Cited**

U.S. PATENT DOCUMENTS

D427,587 S * 7/2000 Jacobsen D14/240
D517,007 S * 3/2006 Yong-Jian D13/108
D529,438 S * 10/2006 Viduya D13/103
D546,277 S * 7/2007 Andre D13/103
D557,203 S * 12/2007 Grunow D13/103
D603,790 S * 11/2009 Andren D13/103
D615,033 S * 5/2010 Baker D13/107
D634,269 S * 3/2011 Griffin, Jr. D13/103
D683,310 S * 5/2013 McSweyn D13/108
D686,985 S * 7/2013 Henderson D13/107

OTHER PUBLICATIONS

“U.S. Appl. No. 29/639,256, Restriction Requirement dated Jun. 24, 2019”, 4 pgs.

“Malaysian Application Serial No. 18-01410-0101, Office Action dated Aug. 7, 2019”, w/ English translation, 6 pgs.

“Malaysian Application Serial No. 18-01410-0101, Response filed Oct. 8, 2019 to Office Action dated Aug. 7, 2019”, in English, 8 pgs.

* cited by examiner

Primary Examiner — Brett Miller

(74) *Attorney, Agent, or Firm* — Schwegman Lundberg & Woessner, P.A.

(57) **CLAIM**

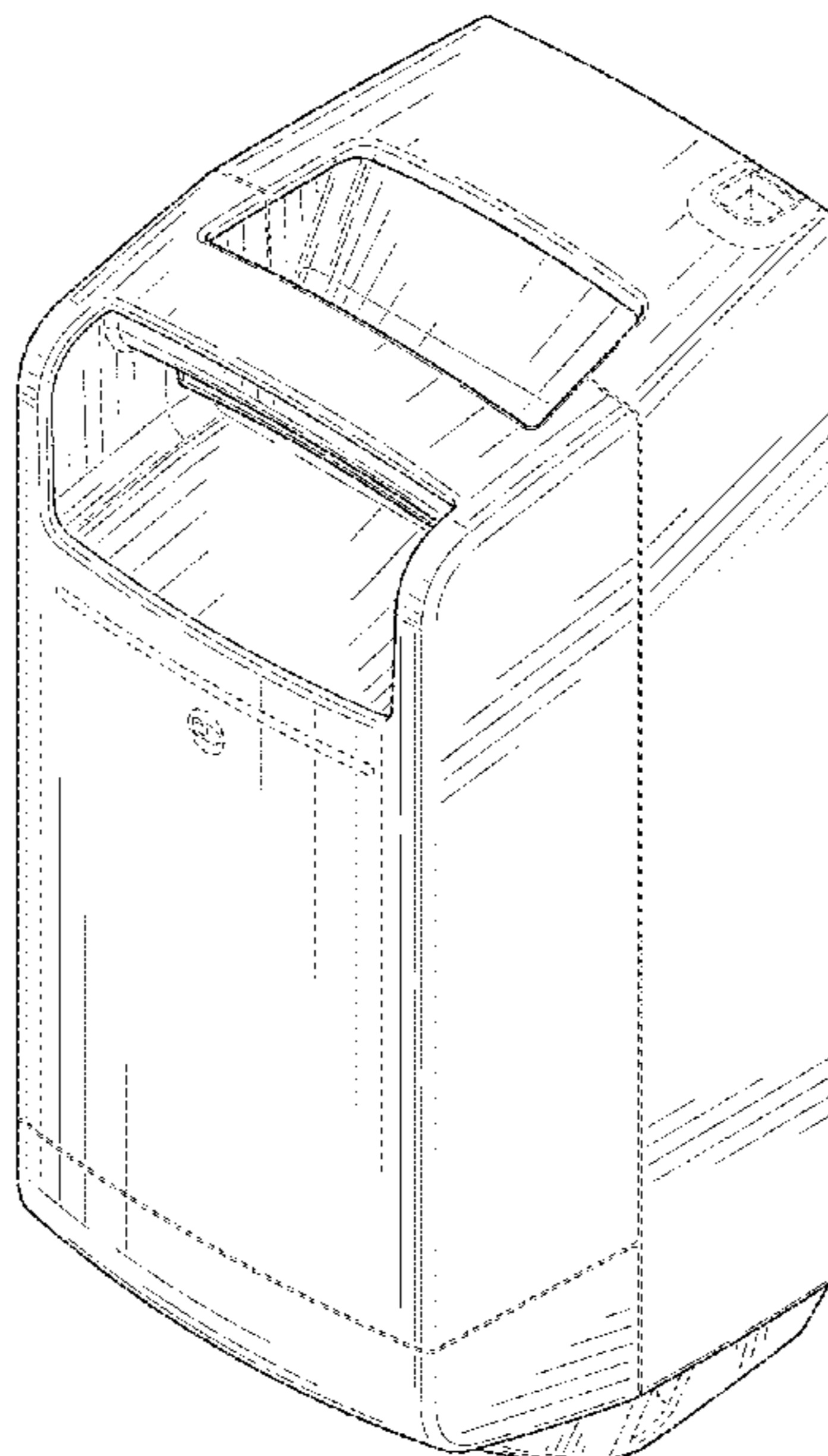
The ornamental design for a battery and battery holder assembly, as shown and described.

DESCRIPTION

FIG. 1 is a top-perspective view of a battery and battery holder assembly as a unit;
FIG. 2 is a front view thereof;
FIG. 3 is a back view thereof;
FIG. 4 is a right-side view thereof;
FIG. 5 is a left-side view thereof;
FIG. 6 is a top view thereof; and,
FIG. 7 is a bottom view thereof.

The broken lines shown in the drawings illustrate unclaimed portions of the battery and battery holder assembly and form no part of the claimed design.

1 Claim, 4 Drawing Sheets



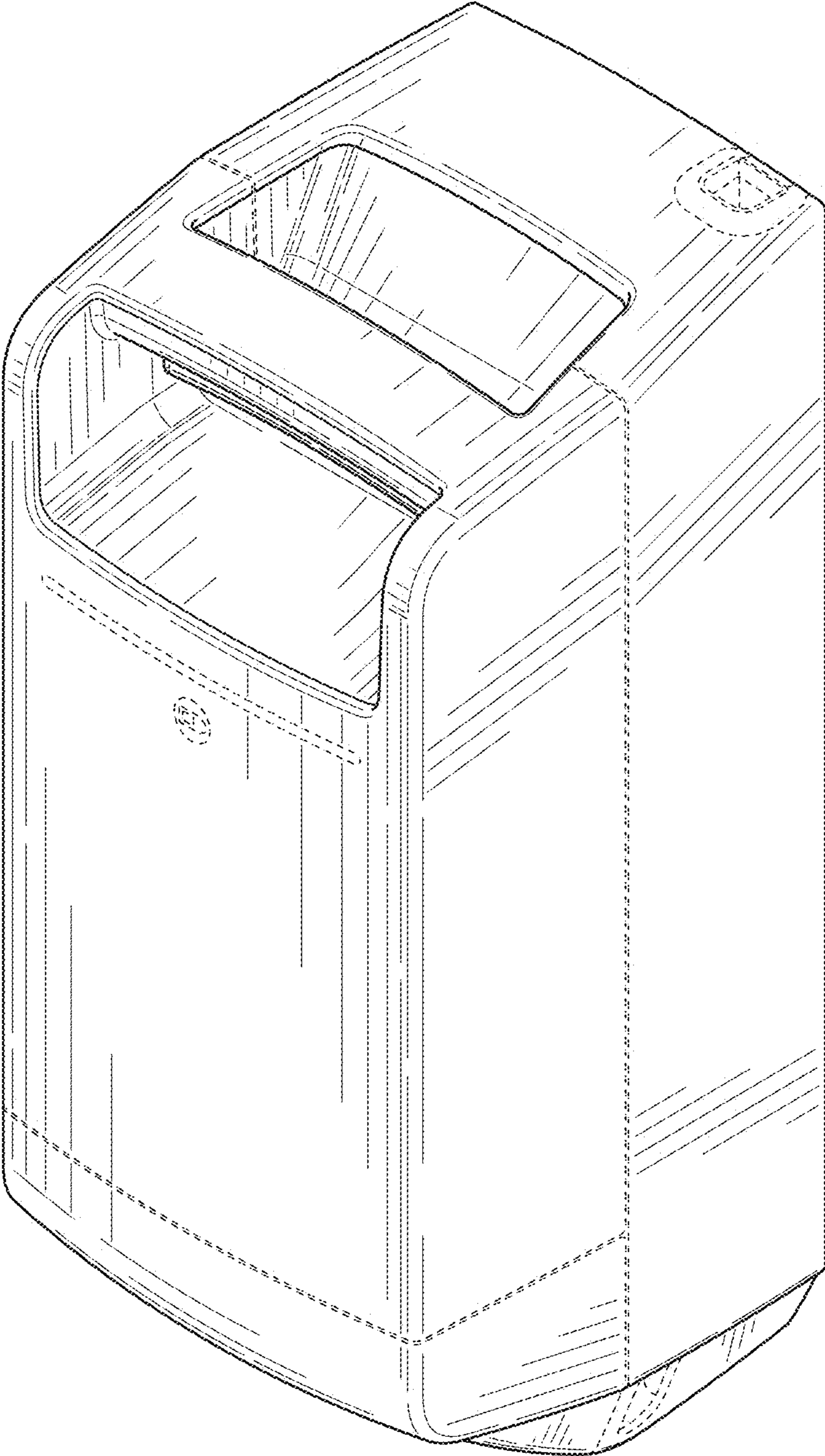


FIG. 1

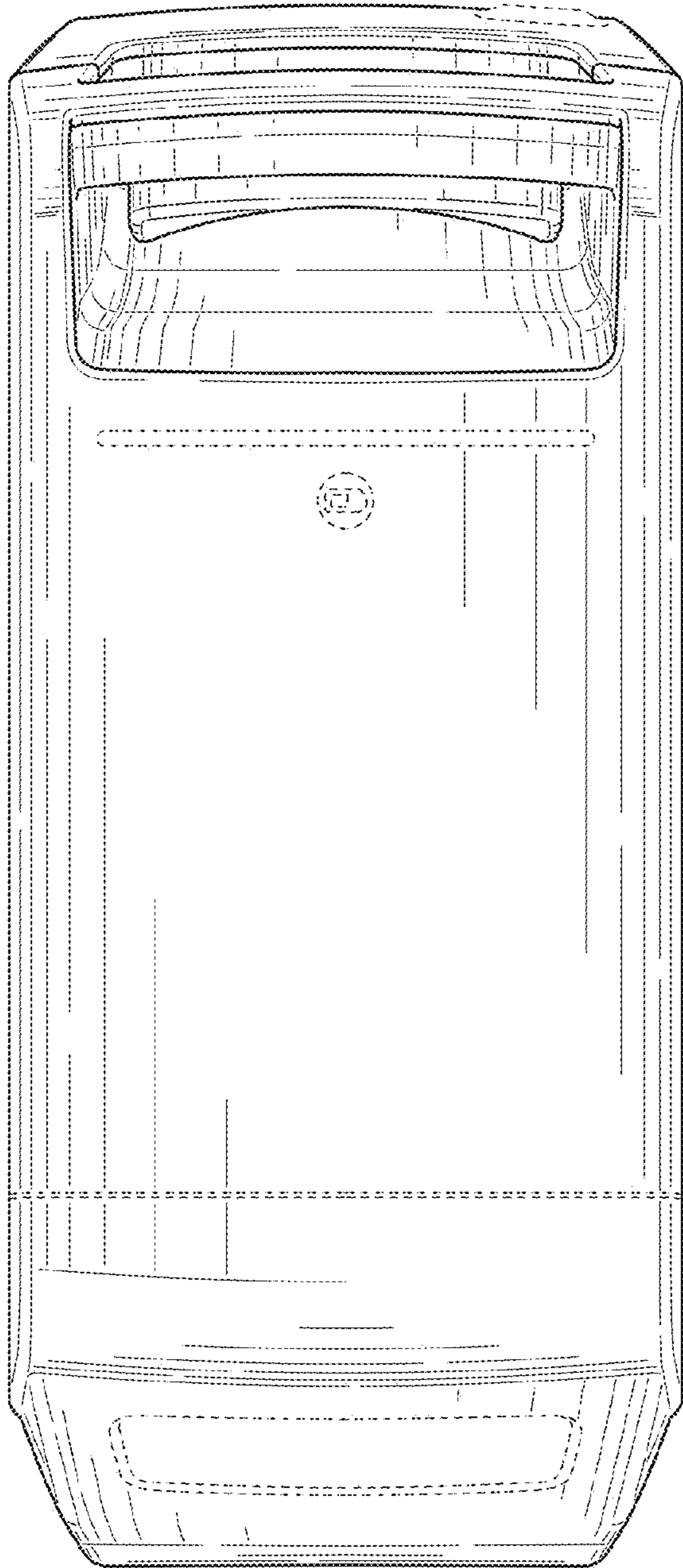


FIG. 2

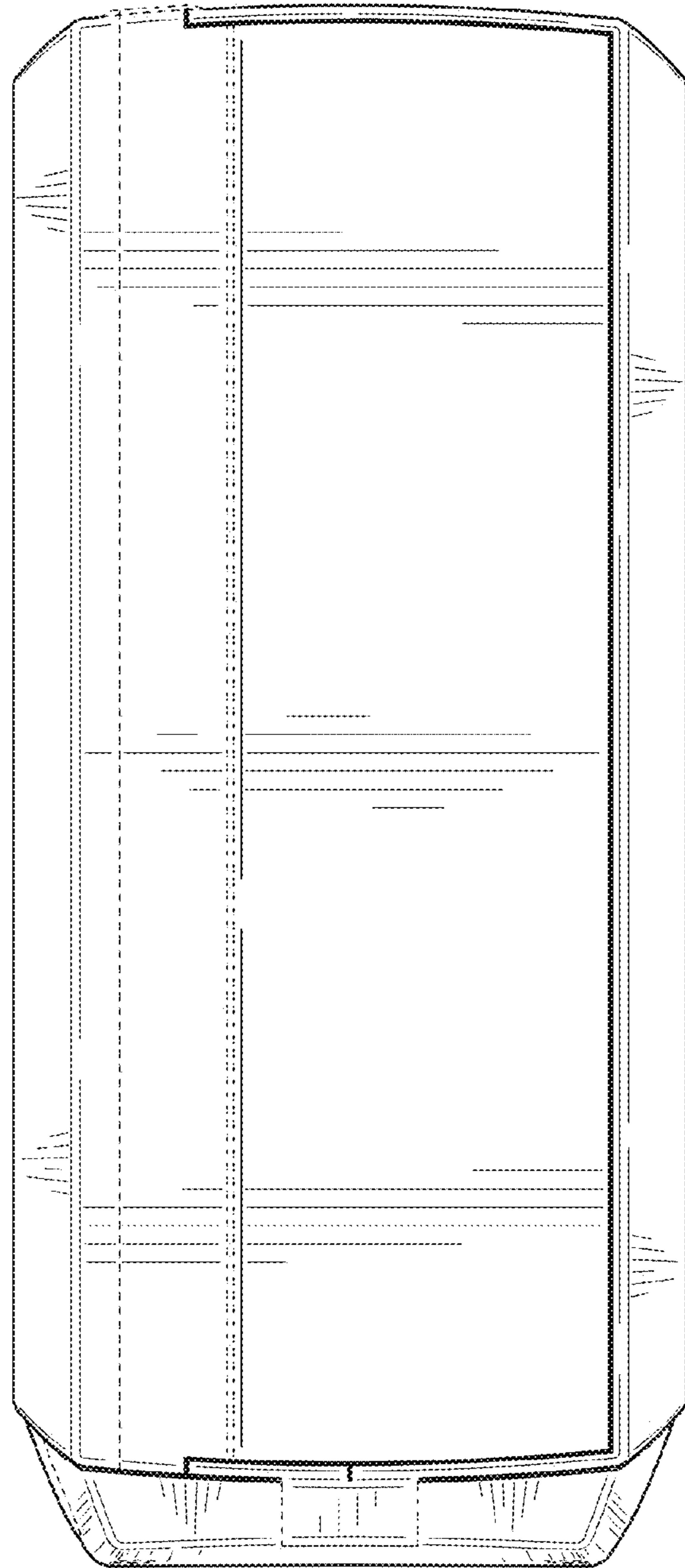


FIG. 3

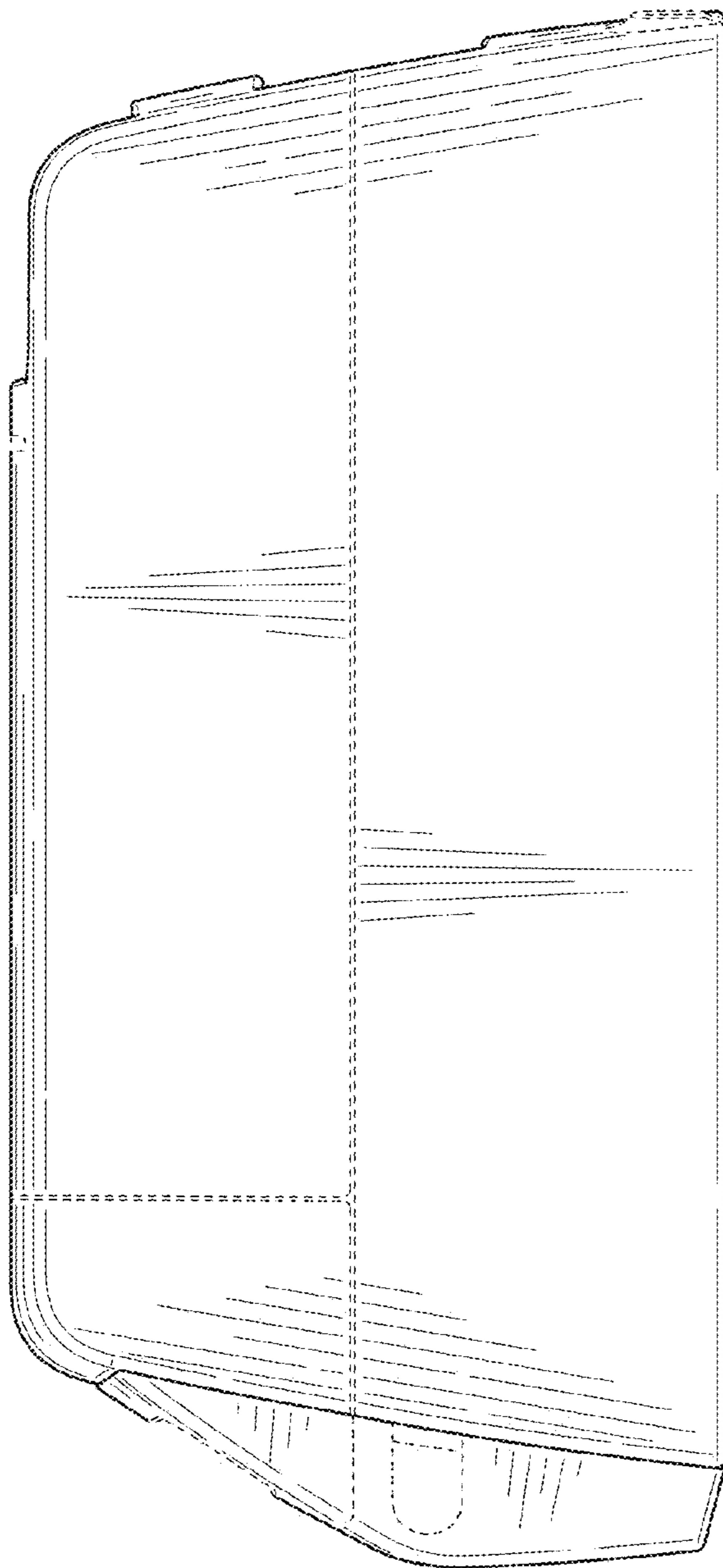


FIG. 4

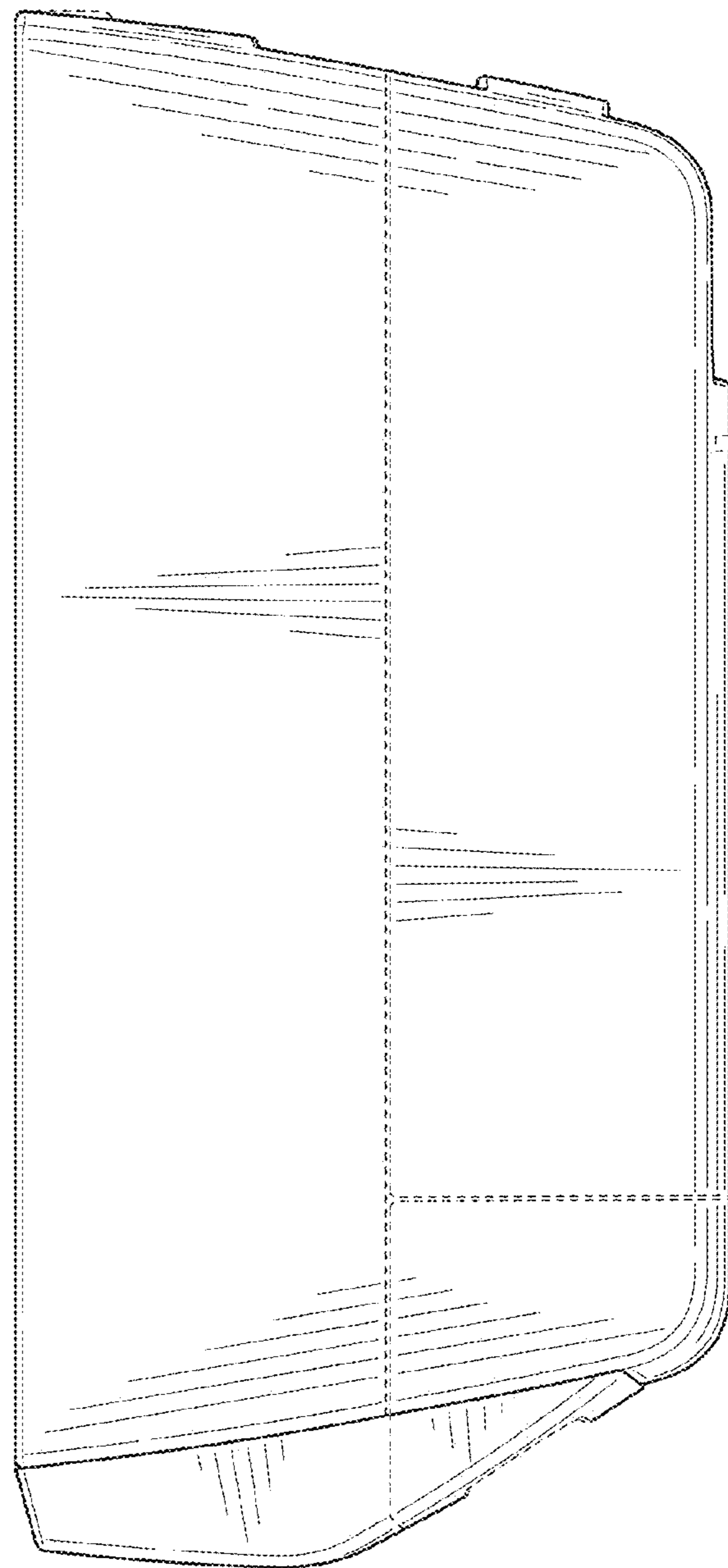


FIG. 5

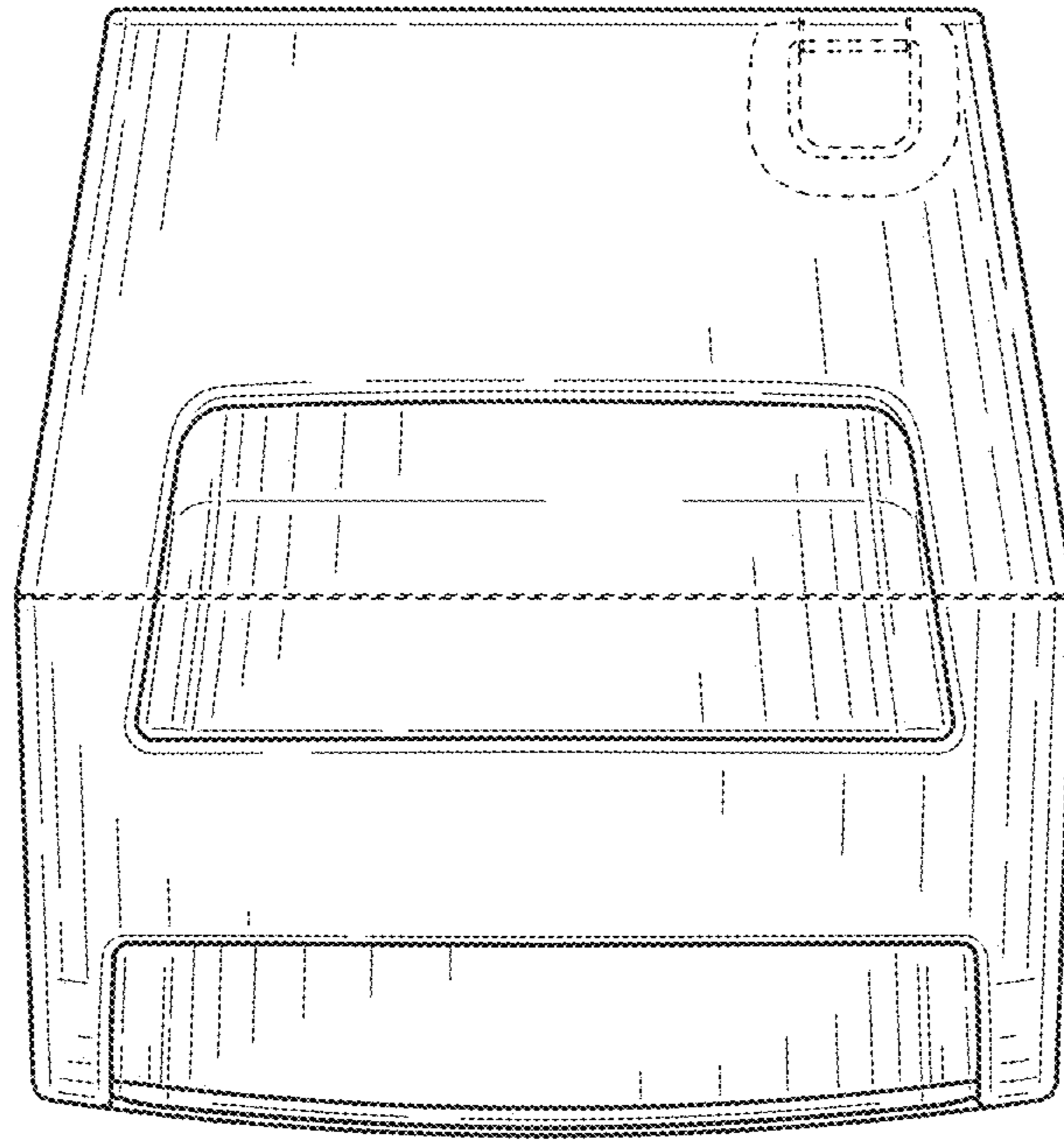


FIG. 6

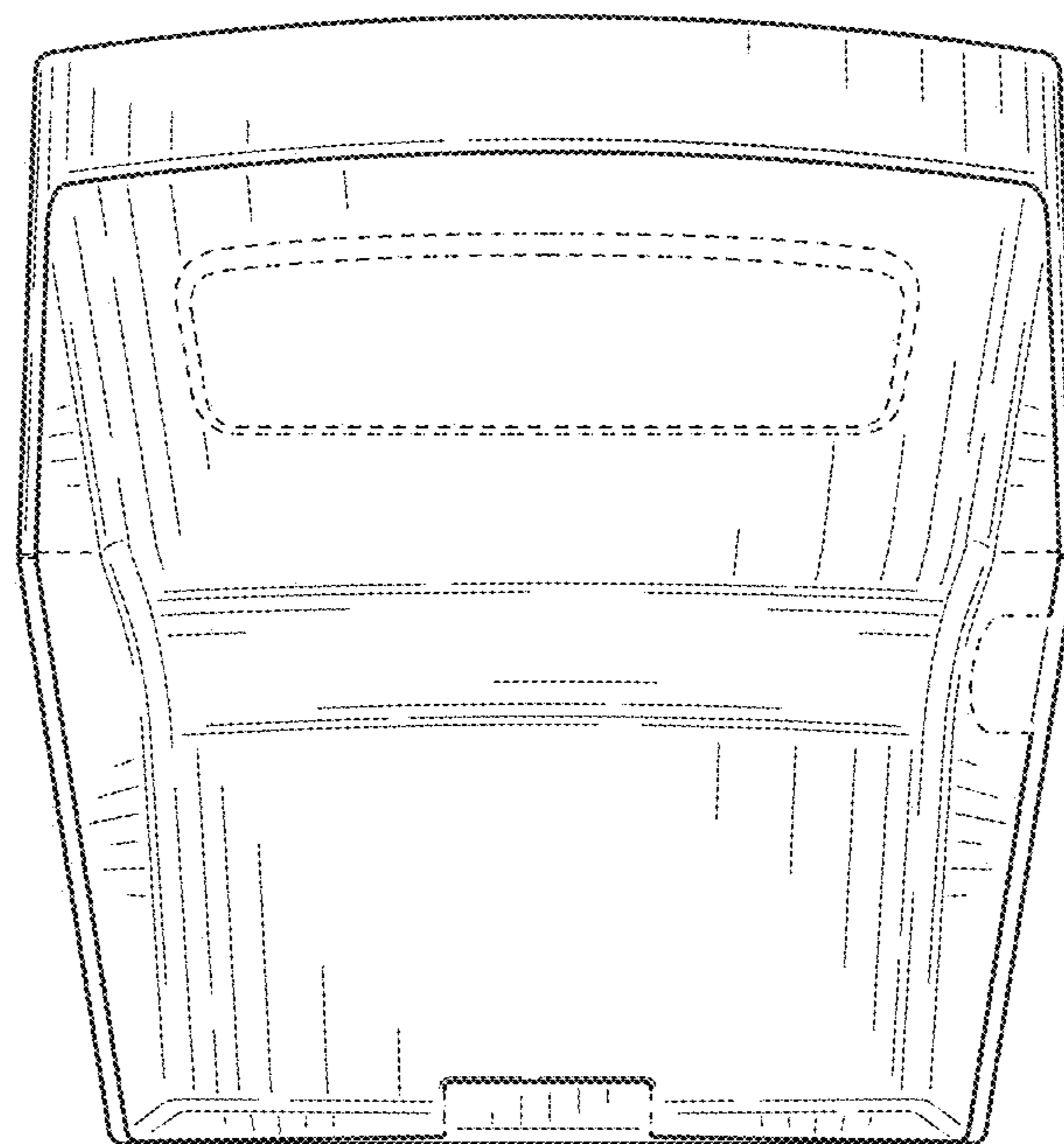


FIG. 7