



US00D882500S

(12) **United States Design Patent**  
**Fukuda et al.**

(10) **Patent No.:** **US D882,500 S**

(45) **Date of Patent:** **\*\* Apr. 28, 2020**

(54) **AUTOMOBILE TIRE**

(71) Applicant: **THE YOKOHAMA RUBBER CO., LTD.**, Minato-ku, Tokyo (JP)

(72) Inventors: **Mina Fukuda**, Hiratsuka (JP); **Reika Tokunaga**, Hiratsuka (JP); **Kotaro Iwabuchi**, Tokyo (JP)

(73) Assignee: **THE YOKOHAMA RUBBER CO., LTD.**, Minato-ku, Tokyo (JP)

(\*\*) Term: **15 Years**

(21) Appl. No.: **29/649,818**

(22) Filed: **Jun. 1, 2018**

(30) **Foreign Application Priority Data**

Dec. 4, 2017 (JP) ..... 2017-027063

(51) **LOC (12) Cl.** ..... **12-15**

(52) **U.S. Cl.**  
USPC ..... **D12/582**

(58) **Field of Classification Search**  
USPC ..... D12/547, 548, 549, 550, 582, 583, 584,  
D12/585, 602, 603  
CPC ..... B60C 11/03; B60C 11/0306; B60C  
2011/0339; B60C 2011/0341; B60C  
2011/0344; B60C 2011/0346; B60C  
2011/0374; B60C 2011/0383  
See application file for complete search history.

(56) **References Cited**

**U.S. PATENT DOCUMENTS**

D397,972 S \* 9/1998 Wakatsuki ..... D12/583  
D430,830 S \* 9/2000 Guspodin ..... D12/585

D445,728 S \* 7/2001 Allison ..... D12/585  
D686,567 S \* 7/2013 Fu ..... D12/603  
D718,227 S \* 11/2014 Honda ..... D12/582  
D739,817 S \* 9/2015 Nomoto ..... D12/583  
D788,691 S \* 6/2017 Tian ..... D12/584  
D791,691 S \* 7/2017 Tanabe ..... D12/603  
D827,560 S \* 9/2018 Gallego ..... D12/603

\* cited by examiner

*Primary Examiner* — Robert M. Spear

(74) *Attorney, Agent, or Firm* — Banner & Witcoff, Ltd.

(57) **CLAIM**

The ornamental design for an automobile tire, as shown and described.

**DESCRIPTION**

FIG. 1 is a perspective view of an automobile tire showing our new design;

FIG. 2 is a front view thereof;

FIG. 3 is a rear view thereof;

FIG. 4 is a right side view thereof;

FIG. 5 is a left side view thereof;

FIG. 6 is a top view thereof;

FIG. 7 is a bottom view thereof;

FIG. 8 is an enlarged perspective view thereof taken at a portion defined by lines 8-8 shown in FIG. 1;

FIG. 9 is an enlarged view thereof taken at a portion defined by lines 9-9 shown in FIG. 2; and,

FIG. 10 is an end view thereof taken at a portion defined by lines 10-10 shown in FIG. 9.

In the drawings, the broken lines depict environmental subject matter only and form no part of the claimed design. The dot and dashed lines represents a boundary between the claimed portion and the non-claimed portion.

**1 Claim, 10 Drawing Sheets**

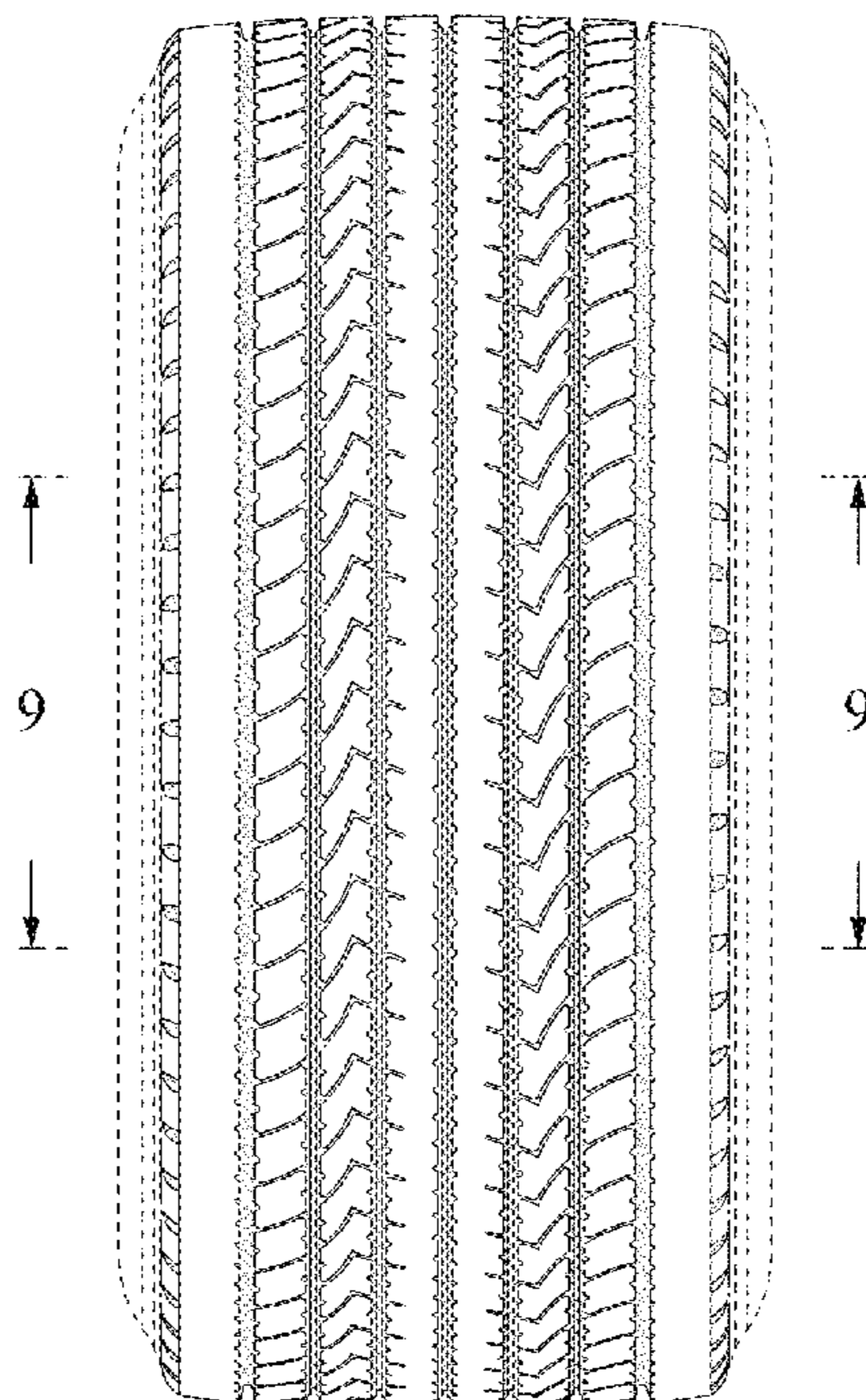
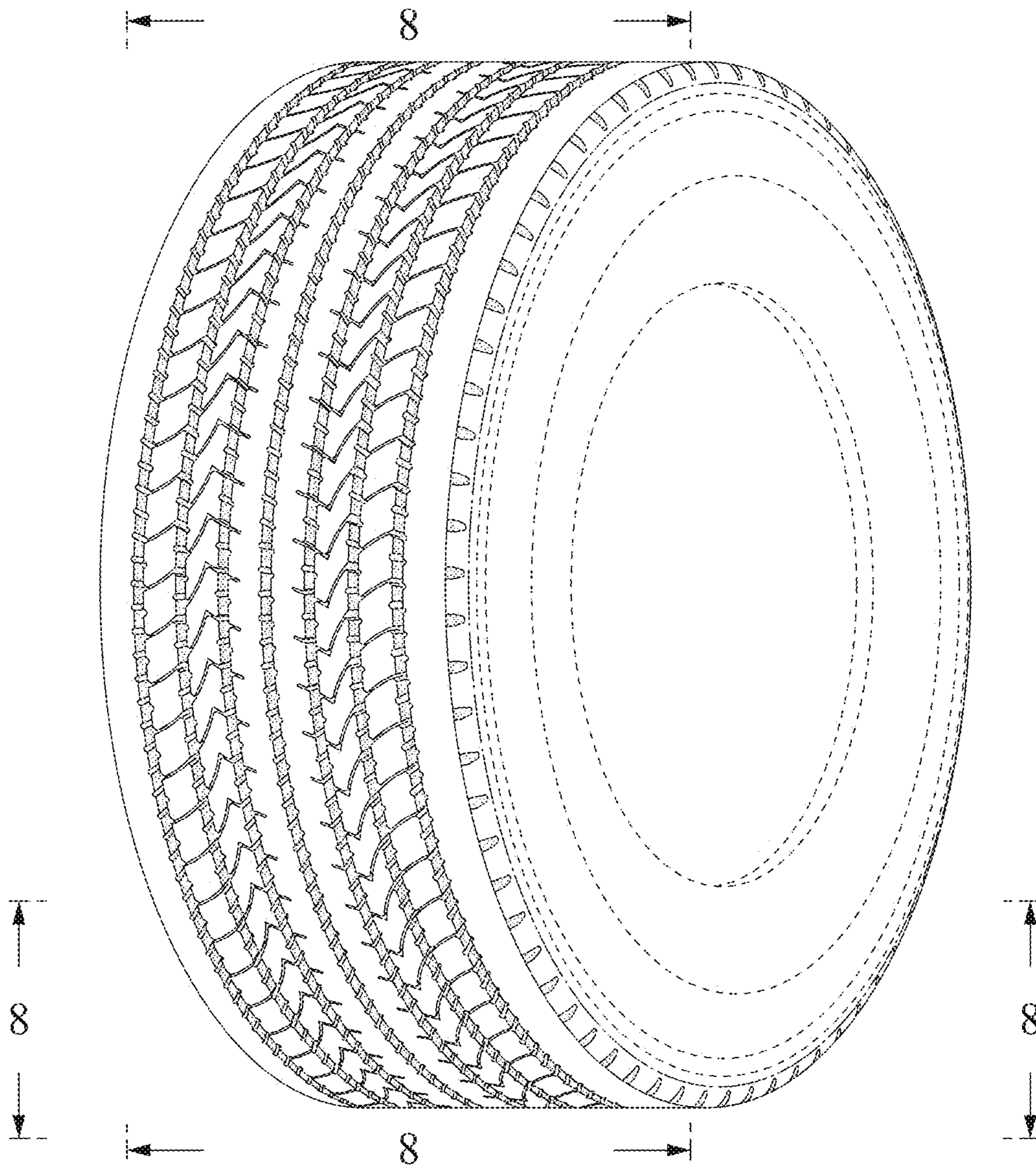
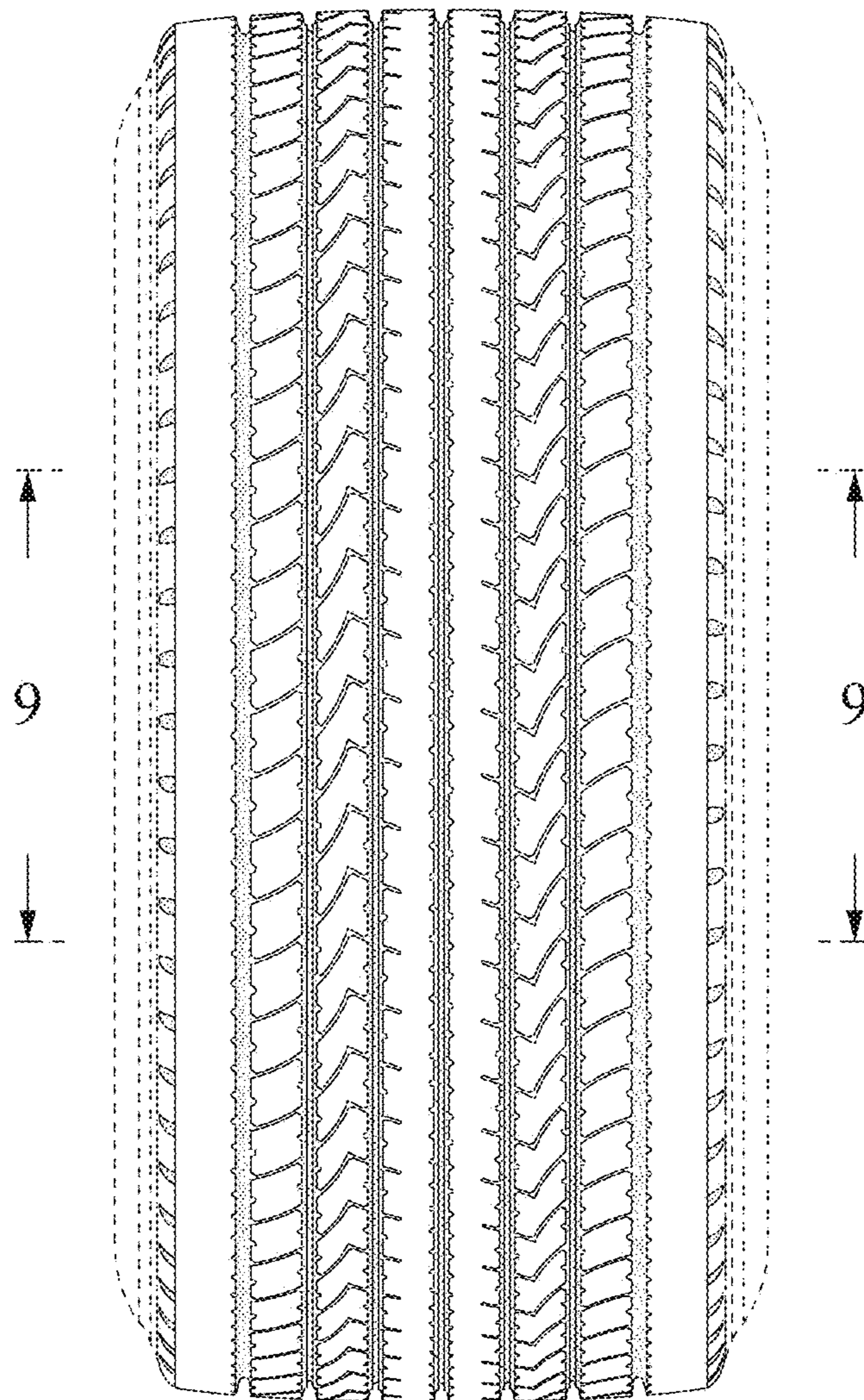


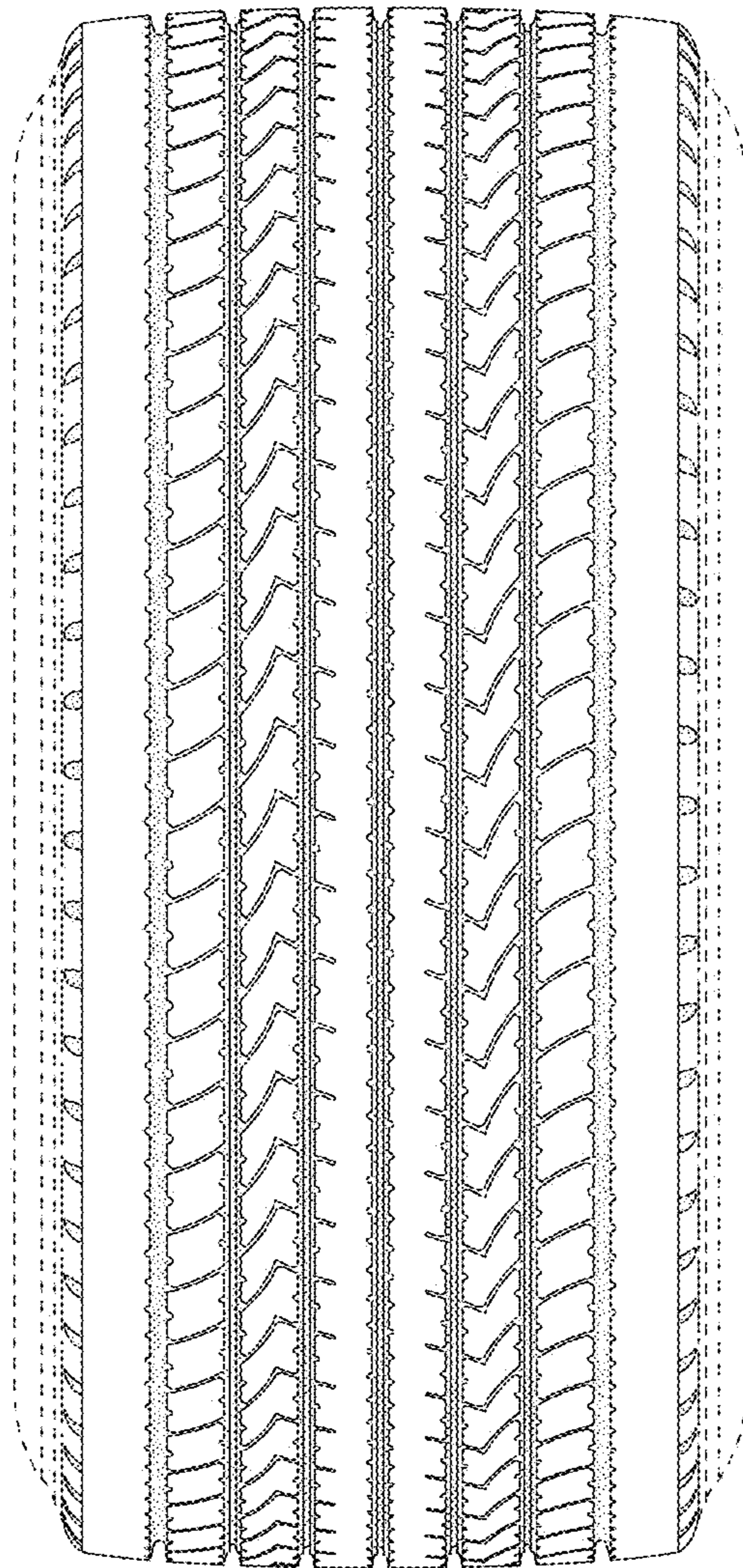
FIG. 1



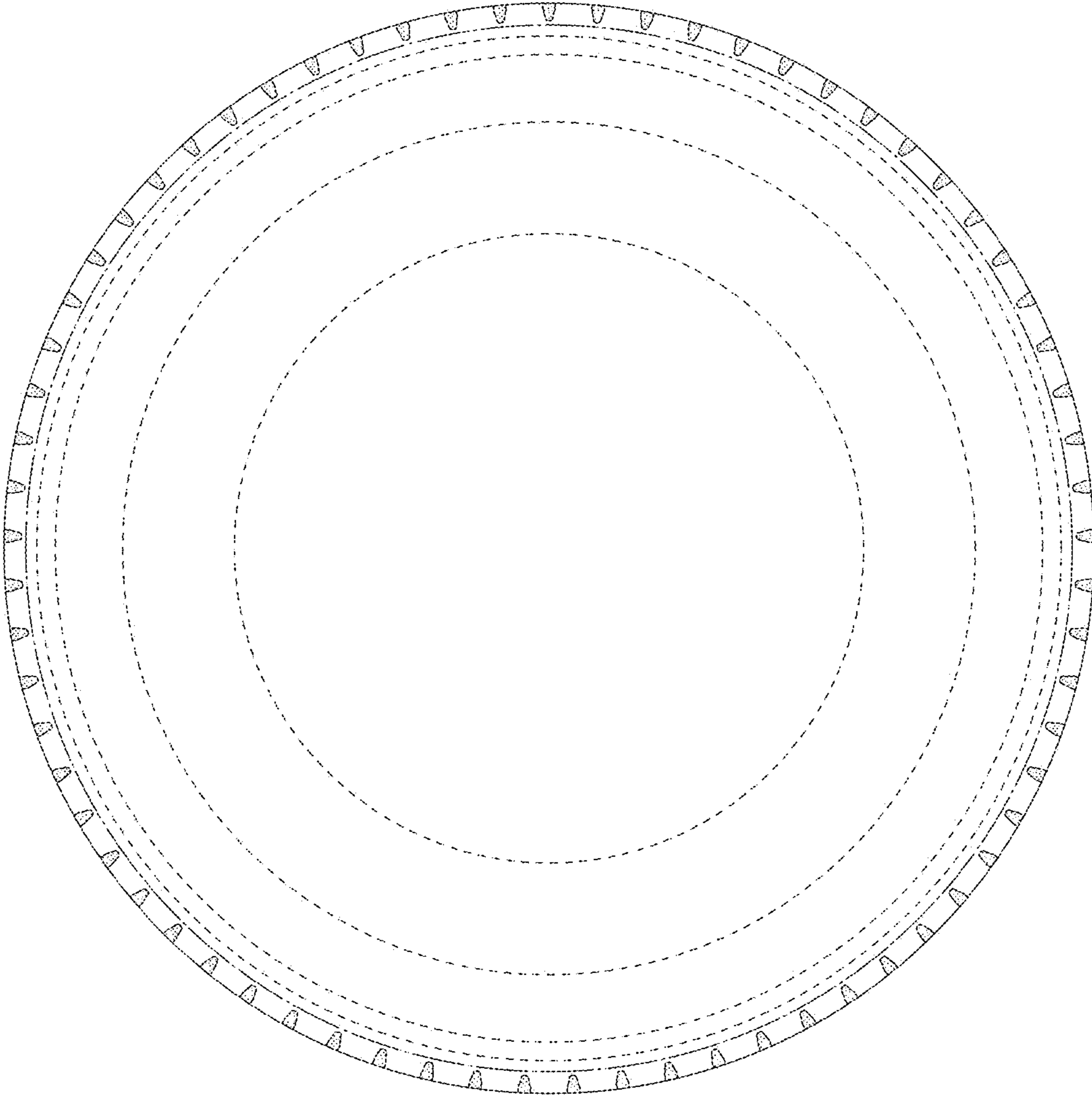
**FIG. 2**



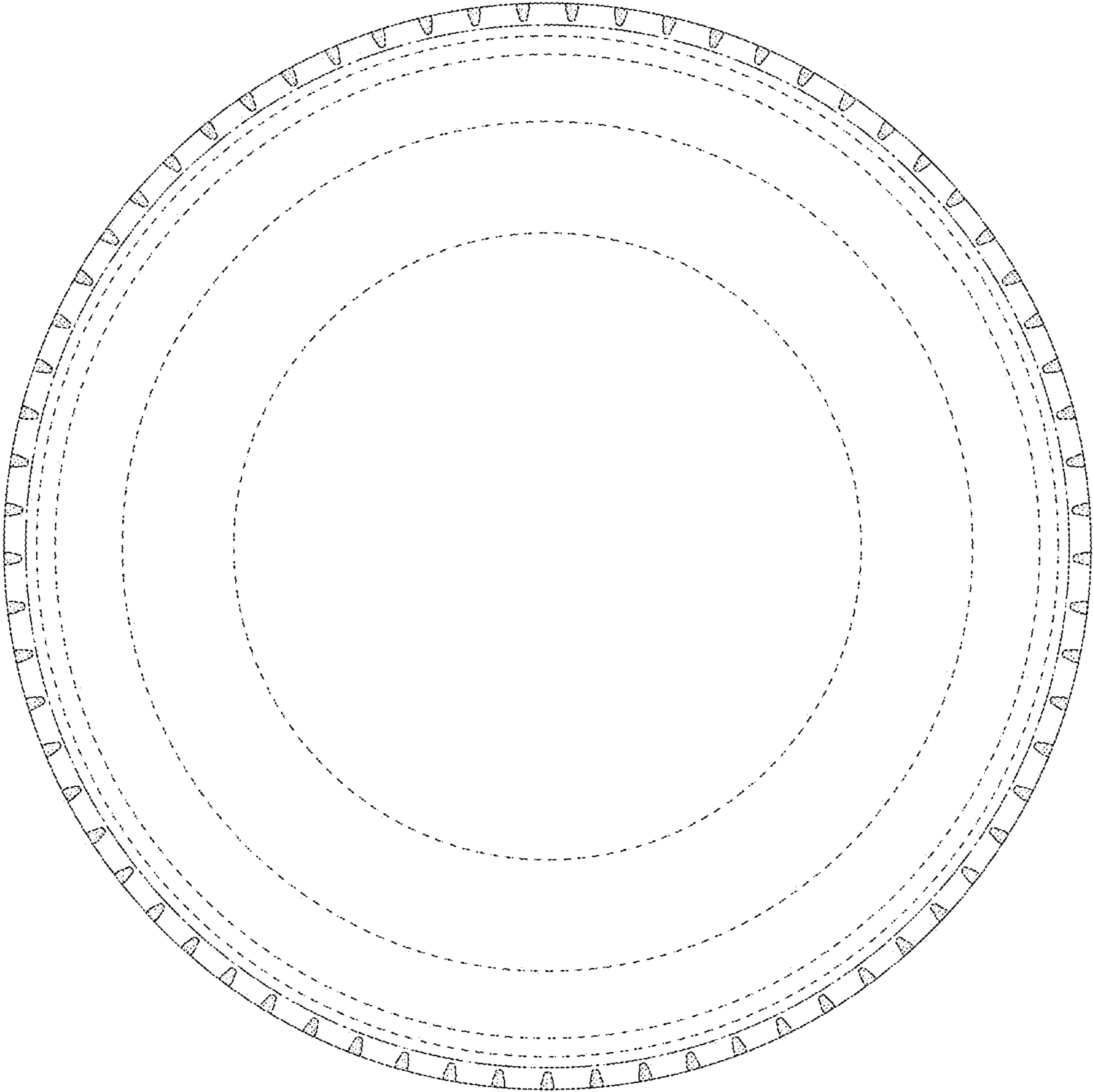
**FIG. 3**



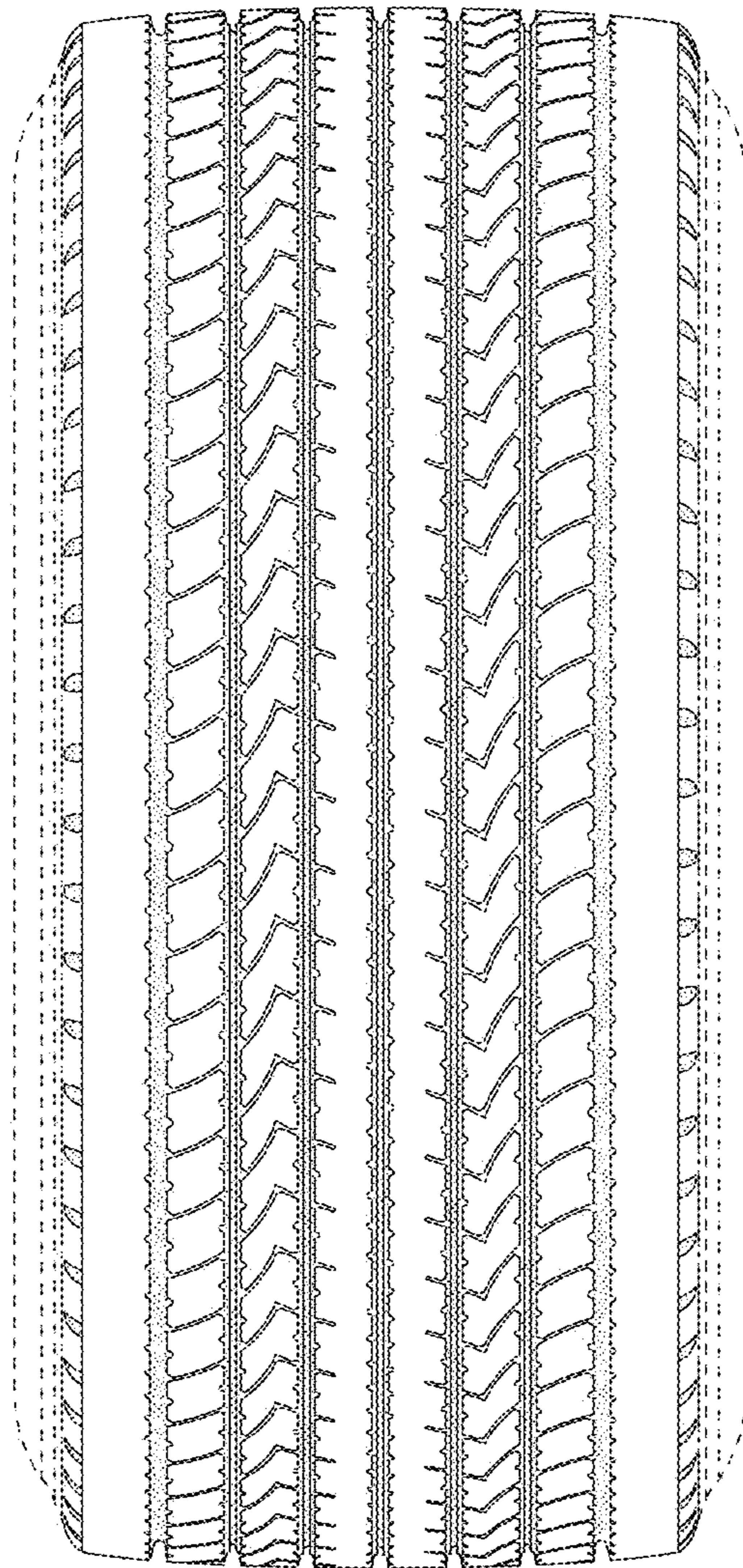
**FIG. 4**



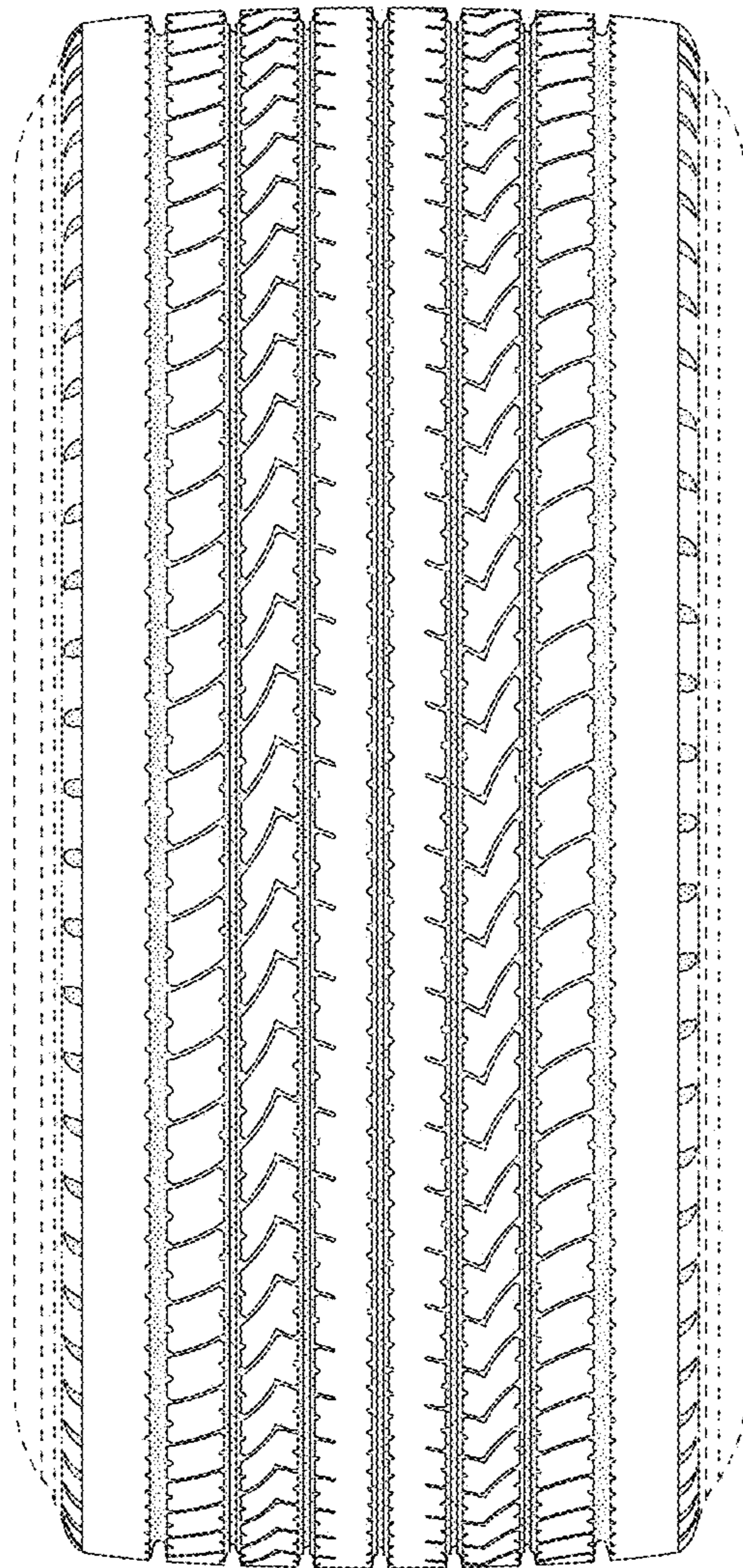
**FIG. 5**



**FIG. 6**

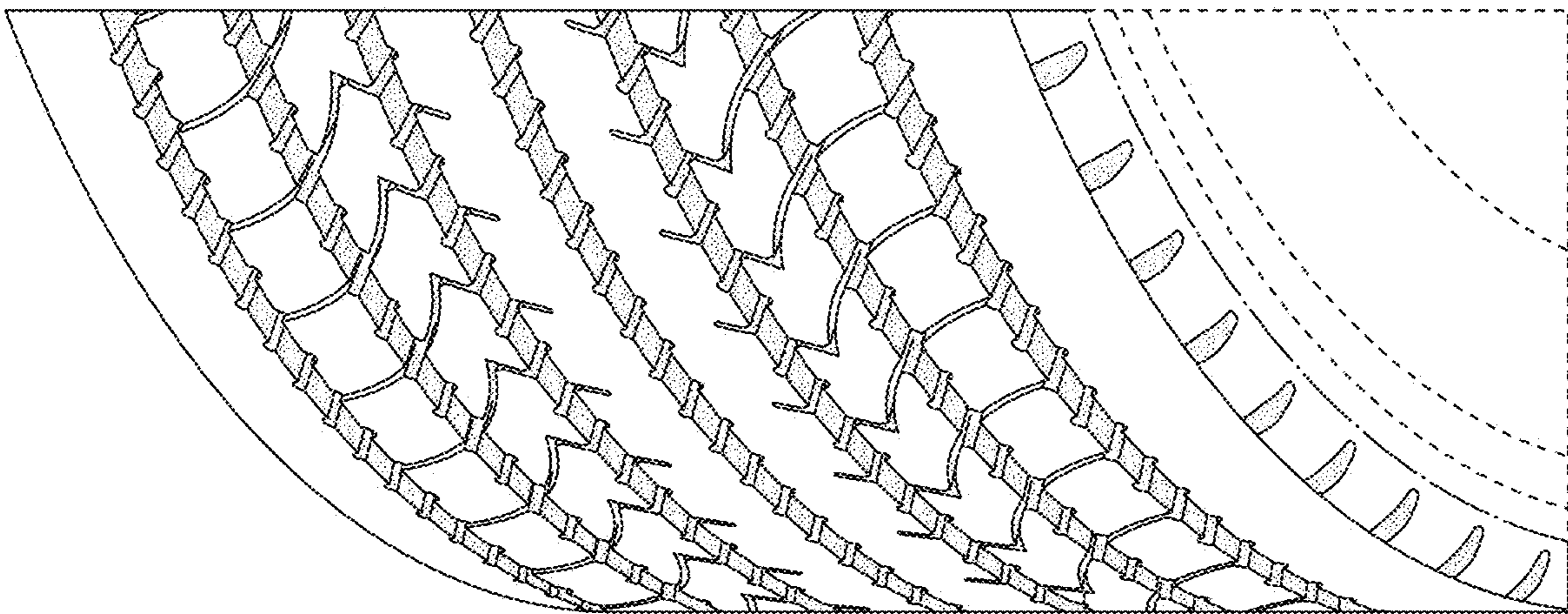


**FIG. 7**

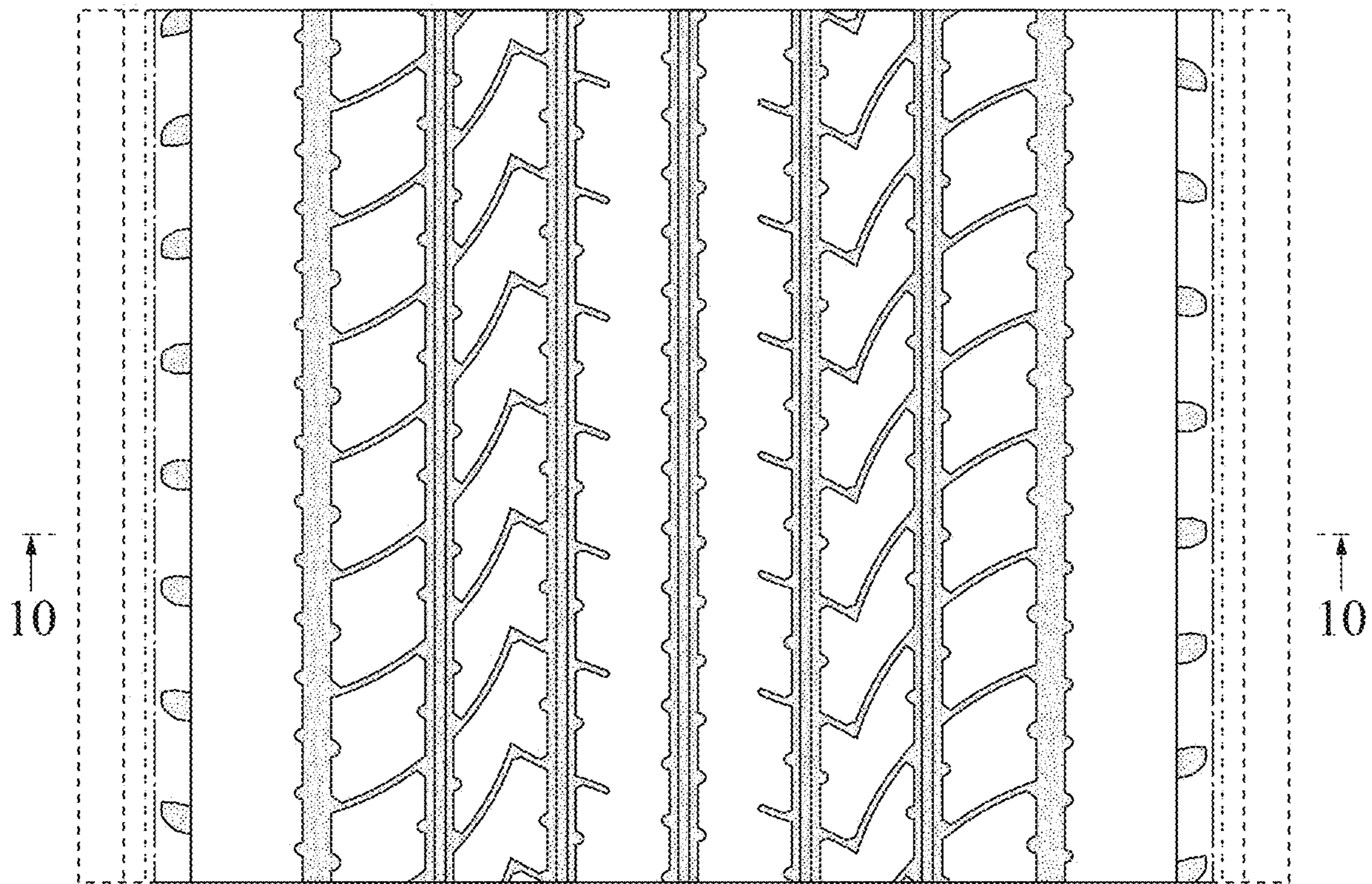




**FIG. 8**



**FIG. 9**



**FIG. 10**

