



US00D882489S

(12) **United States Design Patent**
Ninov et al.

(10) **Patent No.:** **US D882,489 S**

(45) **Date of Patent:** **** Apr. 28, 2020**

(54) **STORAGE BOX**

(71) Applicants: **Deyan Ninov**, Royal Oak, MI (US);
Everard J Scott, Sterling Heights, MI
(US); **Michael Gillam**, Oxford, MI
(US); **Gregory A. Howell**, Farmington,
MI (US)

(72) Inventors: **Deyan Ninov**, Royal Oak, MI (US);
Everard J Scott, Sterling Heights, MI
(US); **Michael Gillam**, Oxford, MI
(US); **Gregory A. Howell**, Farmington,
MI (US)

(73) Assignee: **FCA US LLC**, Auburn Hills, MI (US)

(**) Term: **15 Years**

(21) Appl. No.: **29/673,419**

(22) Filed: **Dec. 14, 2018**

(51) **LOC (12) Cl.** **12-16**

(52) **U.S. Cl.**
USPC **D12/423**

(58) **Field of Classification Search**
USPC D12/415-426.1
CPC B64D 11/06; F16M 11/12; F16M 11/10
See application file for complete search history.

(56) **References Cited**

U.S. PATENT DOCUMENTS

D339,934 S * 10/1993 Reuter D6/668
D391,223 S * 2/1998 Lucas, Jr. D12/424

D494,535 S *	8/2004	McCoy	D12/423
D495,989 S *	9/2004	Kohara	D12/424
D540,738 S *	4/2007	Hatch	D12/415
D634,698 S *	3/2011	Saint-Jalmes	D12/345
D687,079 S *	7/2013	Mueller	D15/146
D698,836 S *	2/2014	Rim	D15/145
D706,846 S *	6/2014	Rim	D15/145
D746,213 S *	12/2015	Castanha	D12/345
D830,949 S *	10/2018	D'Halluin	D12/415
D867,970 S *	11/2019	Yang	D12/423

* cited by examiner

Primary Examiner — Katrina A Betton

(74) *Attorney, Agent, or Firm* — Ralph E. Smith

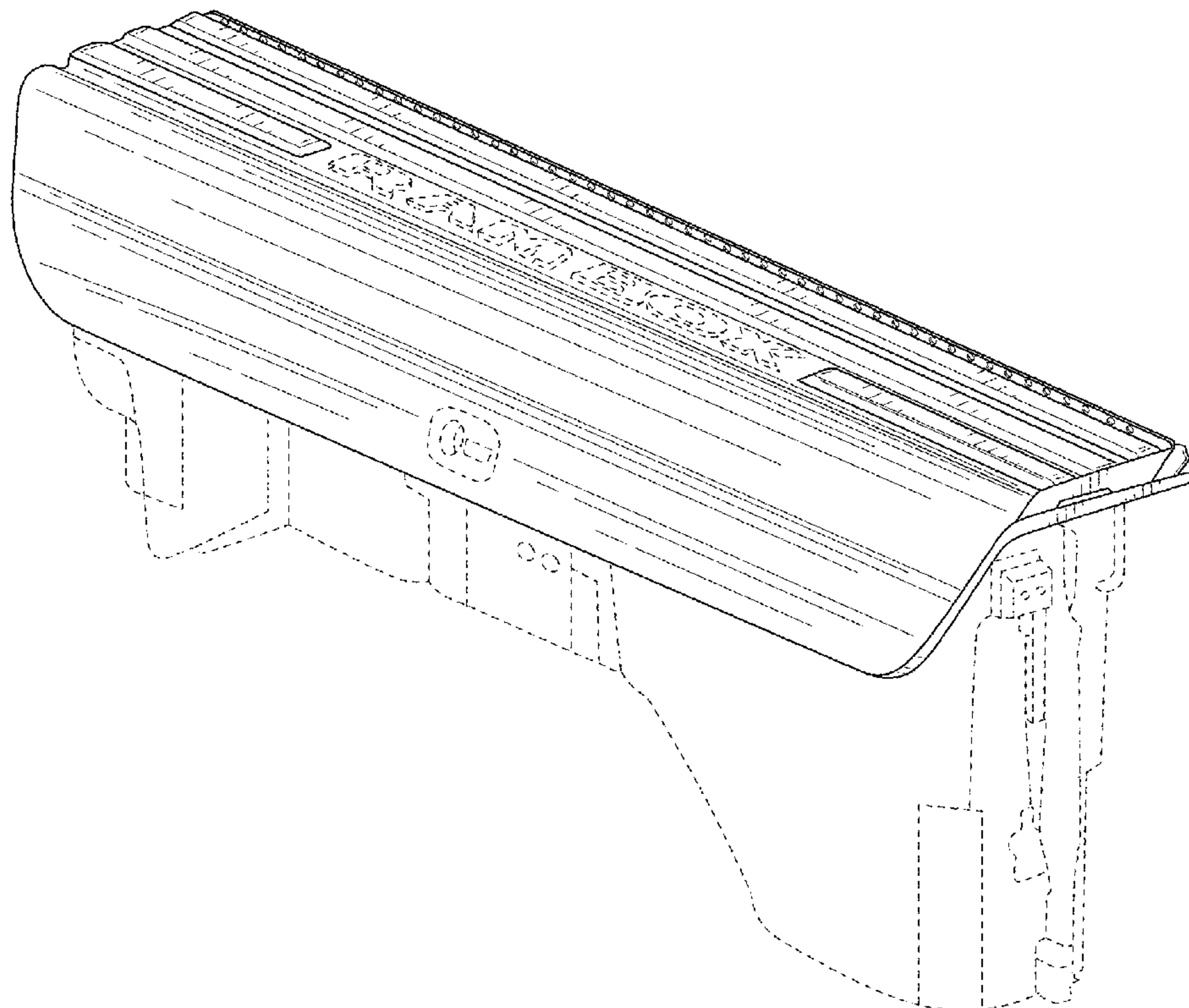
(57) **CLAIM**

The ornamental design for a storage box, as shown and described.

DESCRIPTION

FIG. 1 is a front perspective view of a storage box showing our new design;
FIG. 2 is a side view thereof;
FIG. 3 is a top view thereof;
FIG. 4 is a front view thereof;
FIG. 5 is a rear view thereof; and,
FIG. 6 is a bottom view thereof.
It will be understood that the broken lines shown in the drawings illustrate portions of the storage box that form no part of the claimed design.

1 Claim, 6 Drawing Sheets



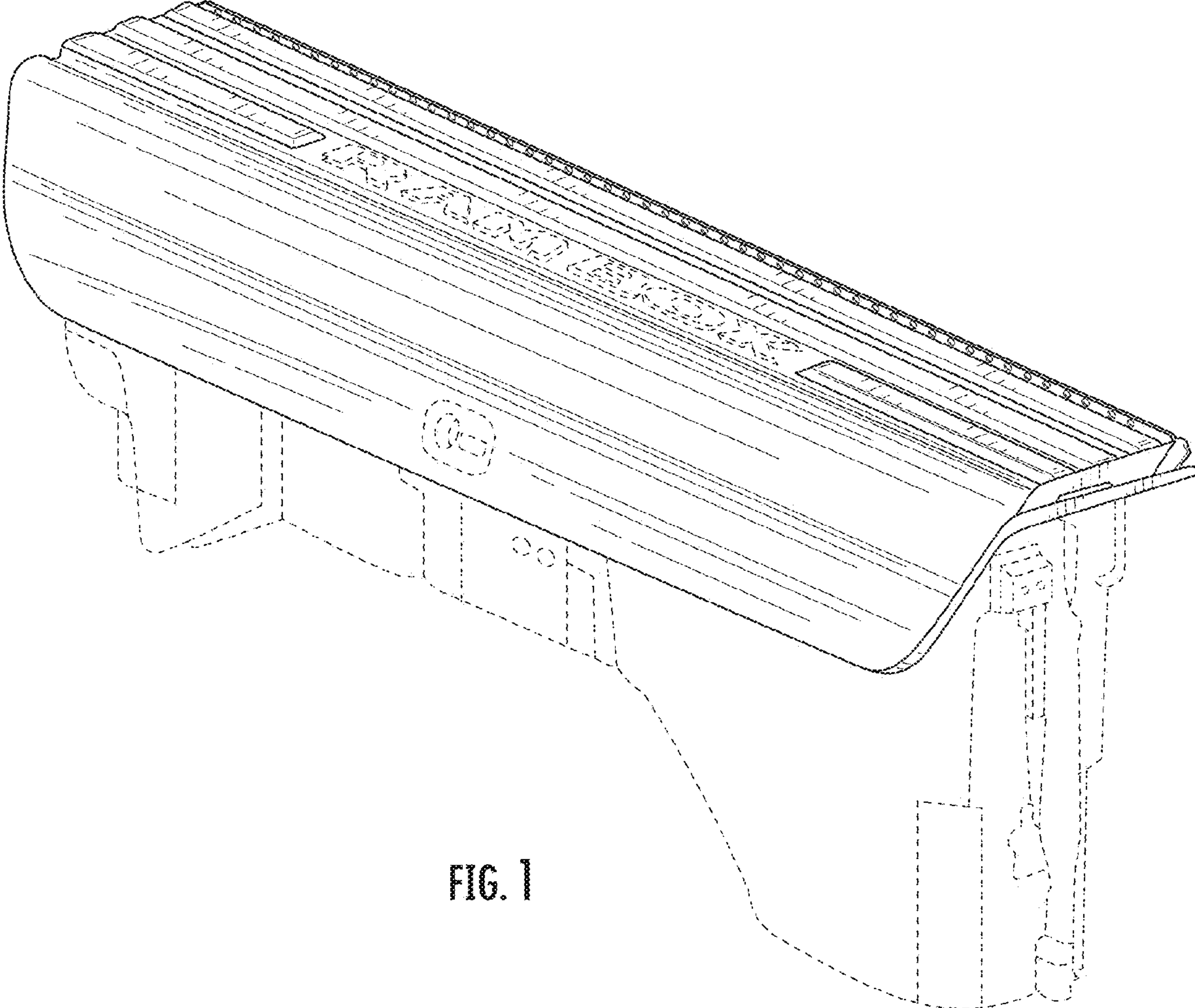


FIG. 1

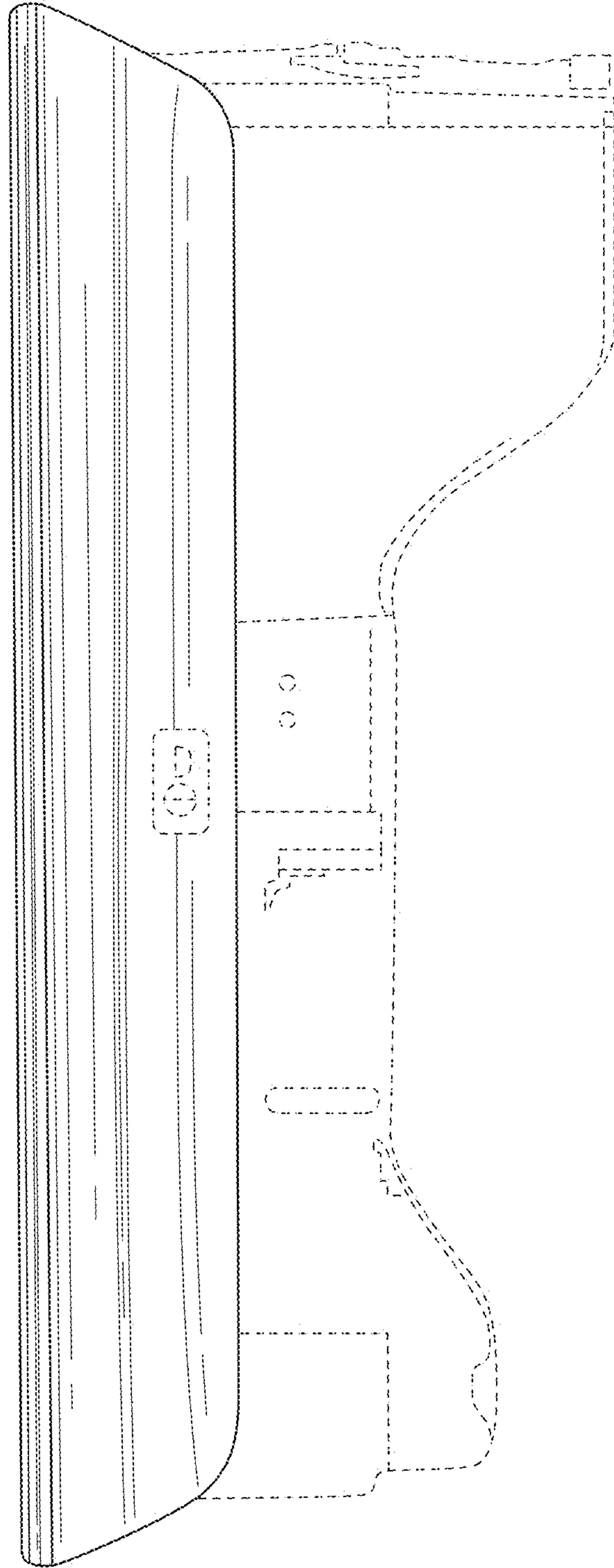


FIG. 2

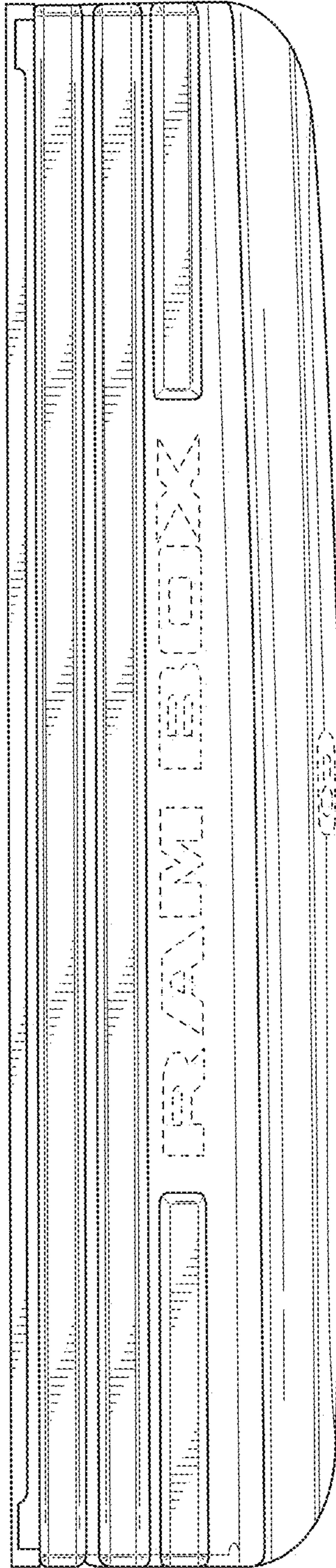


FIG. 3

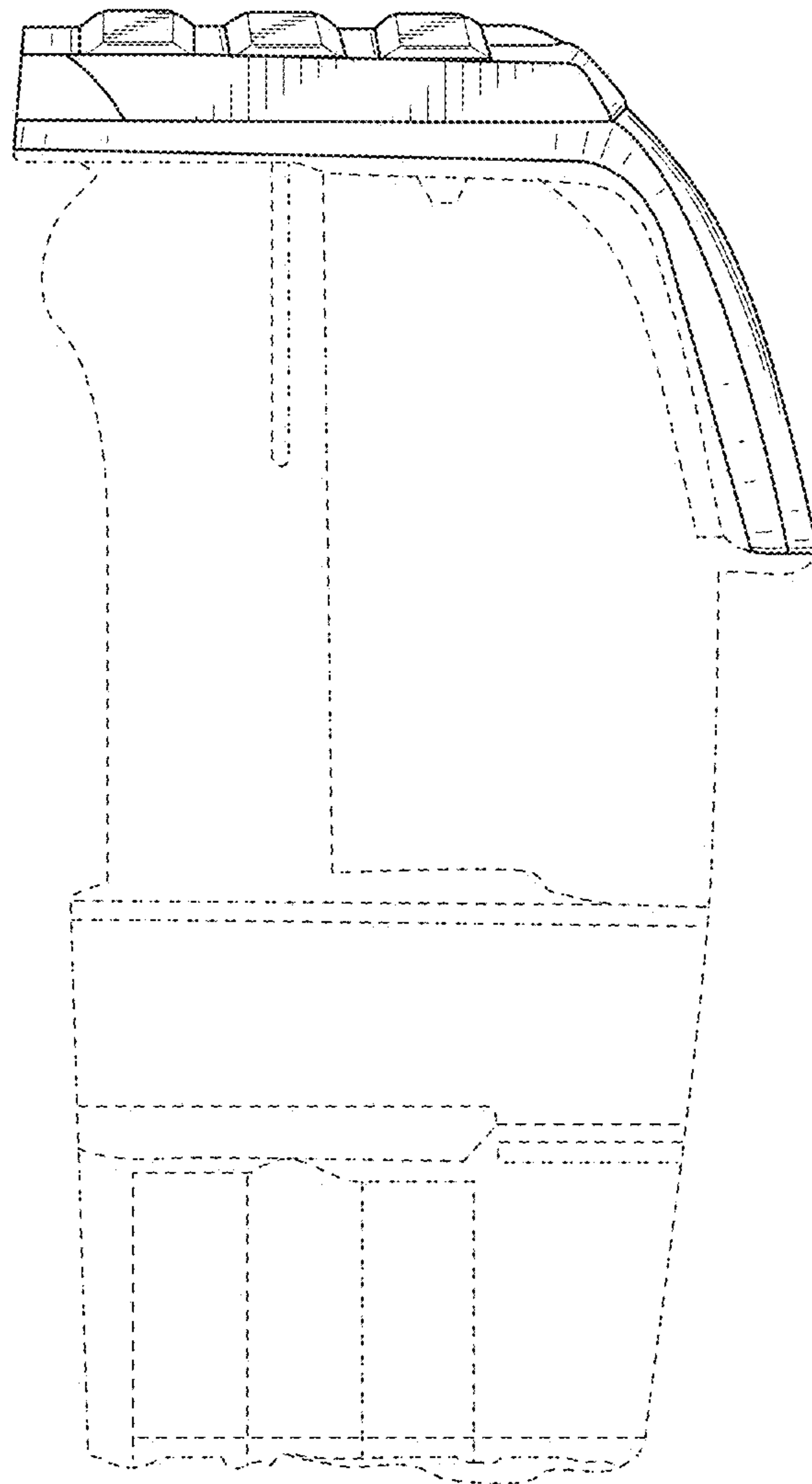


FIG. 4

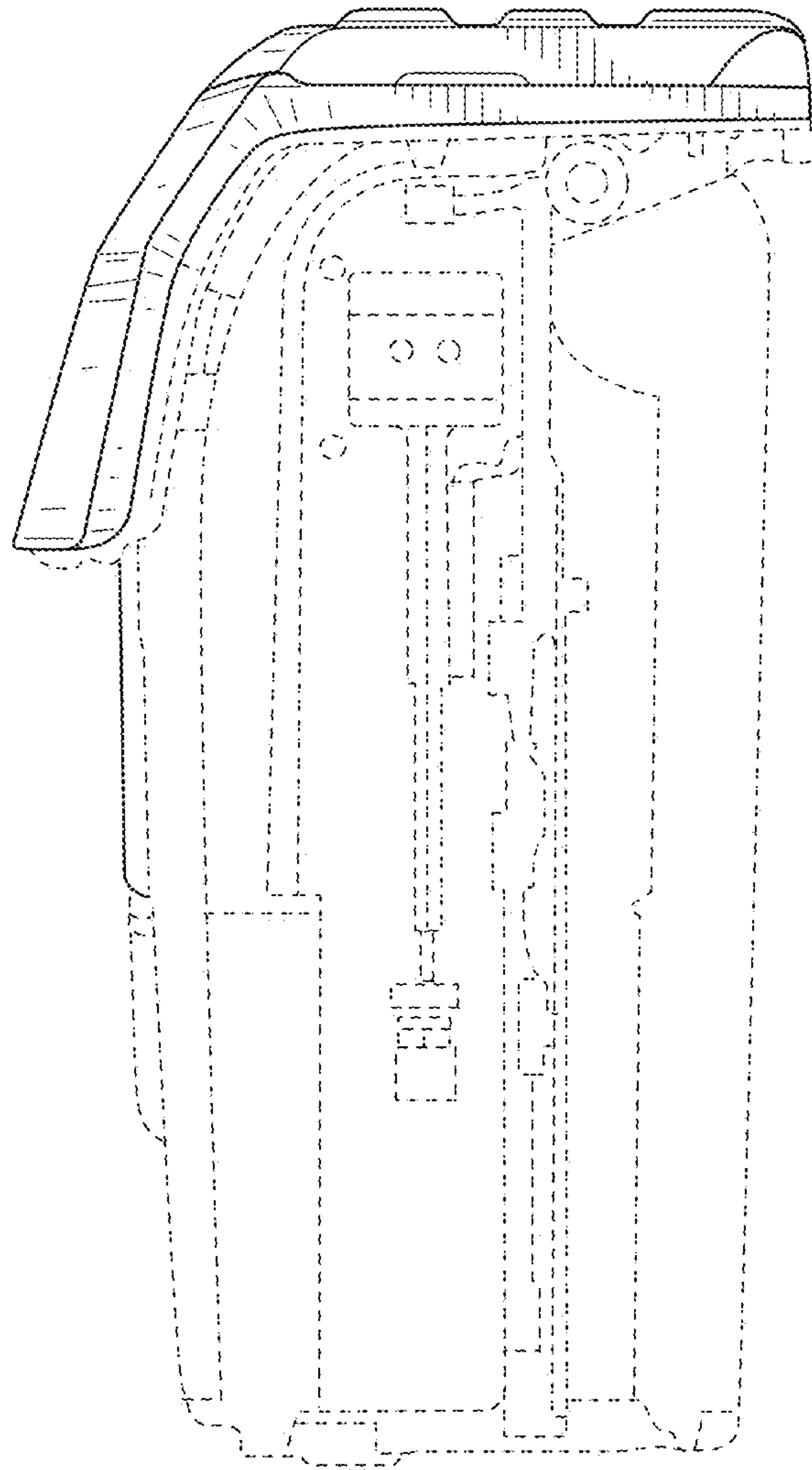


FIG. 5

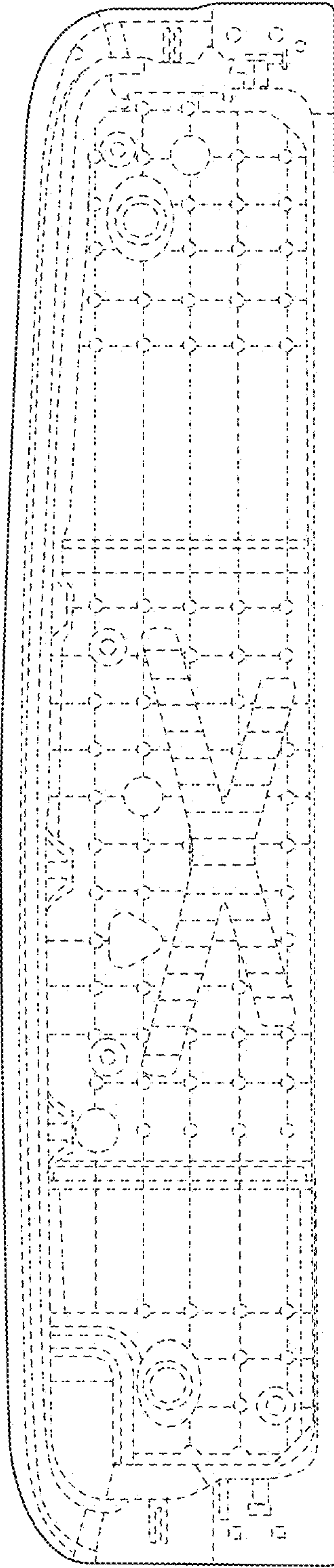


FIG. 6