



US00D882488S

(12) **United States Design Patent**  
**Tung**

(10) **Patent No.:** **US D882,488 S**

(45) **Date of Patent:** **\*\* Apr. 28, 2020**

(54) **VEHICLE MOUNT**

(71) Applicant: **Philip Morris Products S.A.**,  
Neuchatel (CH)

(72) Inventor: **Jeffrey Tung**, San Francisco, CA (US)

(73) Assignee: **Philip Morris Products S.A.**,  
Neuchatel (CH)

(\*\*) Term: **15 Years**

(21) Appl. No.: **29/669,651**

(22) Filed: **Nov. 9, 2018**

(30) **Foreign Application Priority Data**

May 9, 2018 (EM) ..... 005262797-0008

(51) **LOC (12) Cl.** ..... **12-16**

(52) **U.S. Cl.**  
USPC ..... **D12/415**

(58) **Field of Classification Search**  
USPC ..... D12/415-420, 400, 191, 423;  
D6/513-514, 553, 556, 559; D14/253  
CPC ..... B60R 11/02; B60R 2011/0005  
See application file for complete search history.

(56) **References Cited**

**U.S. PATENT DOCUMENTS**

D782,462 S \* 3/2017 Huang ..... D14/253  
D783,012 S \* 4/2017 Lee ..... D14/253

D796,421 S \* 9/2017 Huang ..... D12/415  
D797,750 S \* 9/2017 Wengreen ..... D14/447  
D799,466 S \* 10/2017 Sukphist ..... D14/253  
D826,225 S \* 8/2018 Chen ..... D14/253  
D831,660 S \* 10/2018 Yao ..... D14/447  
D832,247 S \* 10/2018 Sukphist ..... D14/253  
10,173,607 B1 \* 1/2019 Omelchenko ..... B60R 11/0241  
D868,054 S \* 11/2019 Kim ..... D14/253

\* cited by examiner

*Primary Examiner* — Katrina A Betton

(74) *Attorney, Agent, or Firm* — Oblon, McClelland,  
Maier & Neustadt, L.L.P.

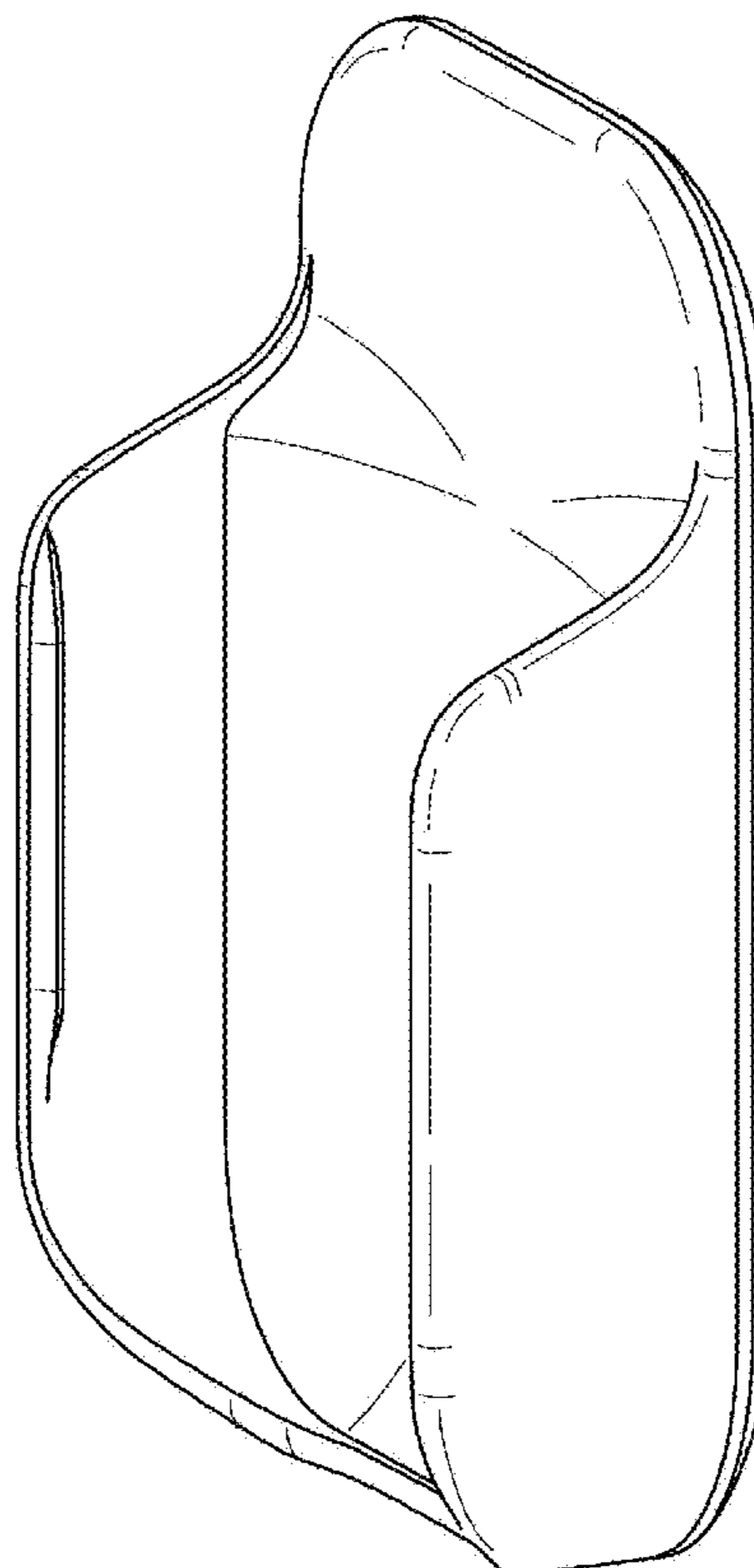
(57) **CLAIM**

The ornamental design for a vehicle mount, as shown and described.

**DESCRIPTION**

FIG. 1 is a front, top, and right side perspective view of a vehicle mount;  
FIG. 2 is a front elevational view thereof;  
FIG. 3 is a rear elevational view thereof;  
FIG. 4 is a left side elevational view thereof;  
FIG. 5 is a right side elevational view thereof;  
FIG. 6 is a top plan view thereof;  
FIG. 7 is a bottom plan view thereof; and,  
FIG. 8 is a rear, top, and right side perspective view thereof.

**1 Claim, 8 Drawing Sheets**



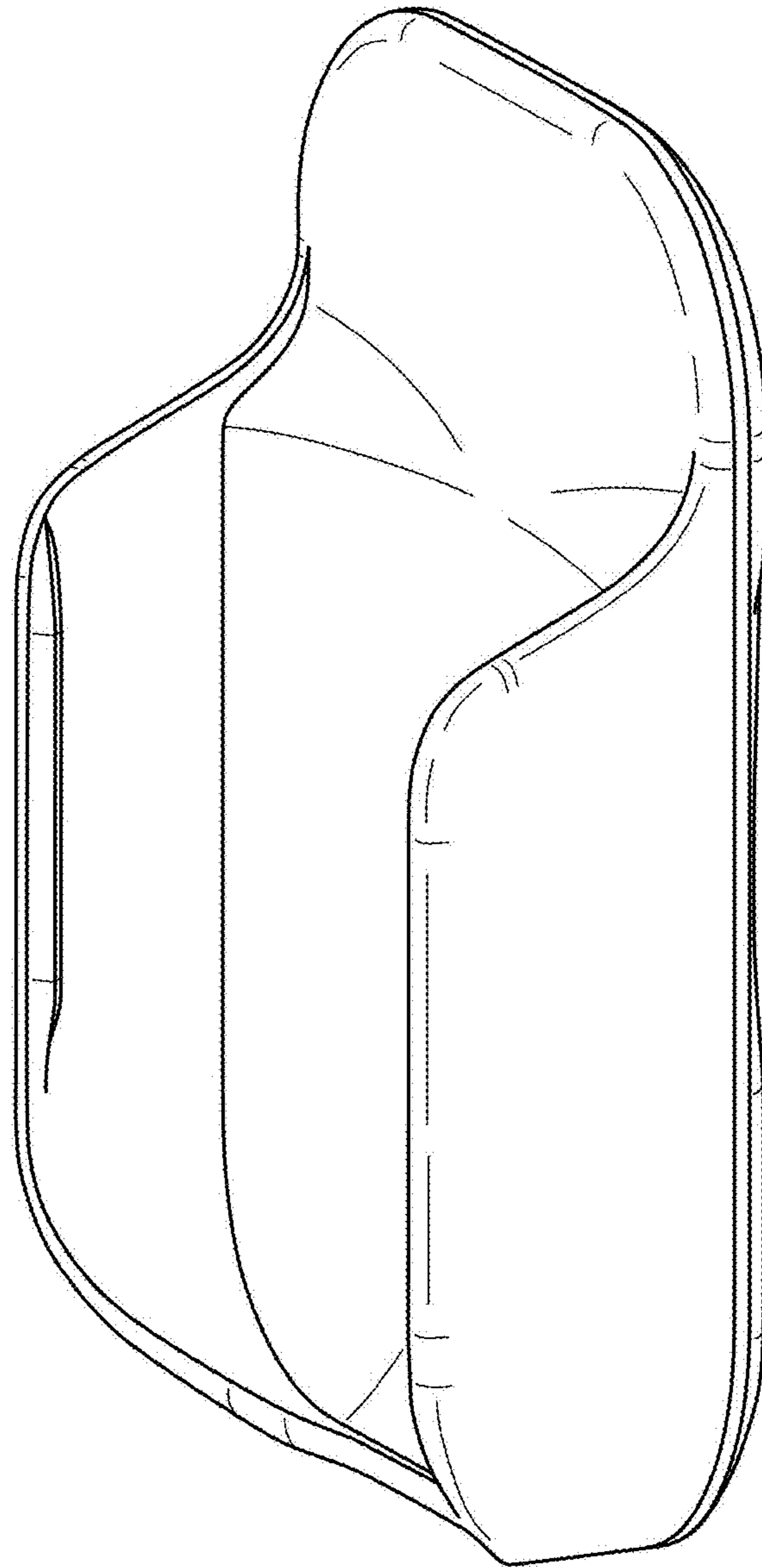


FIG. 1

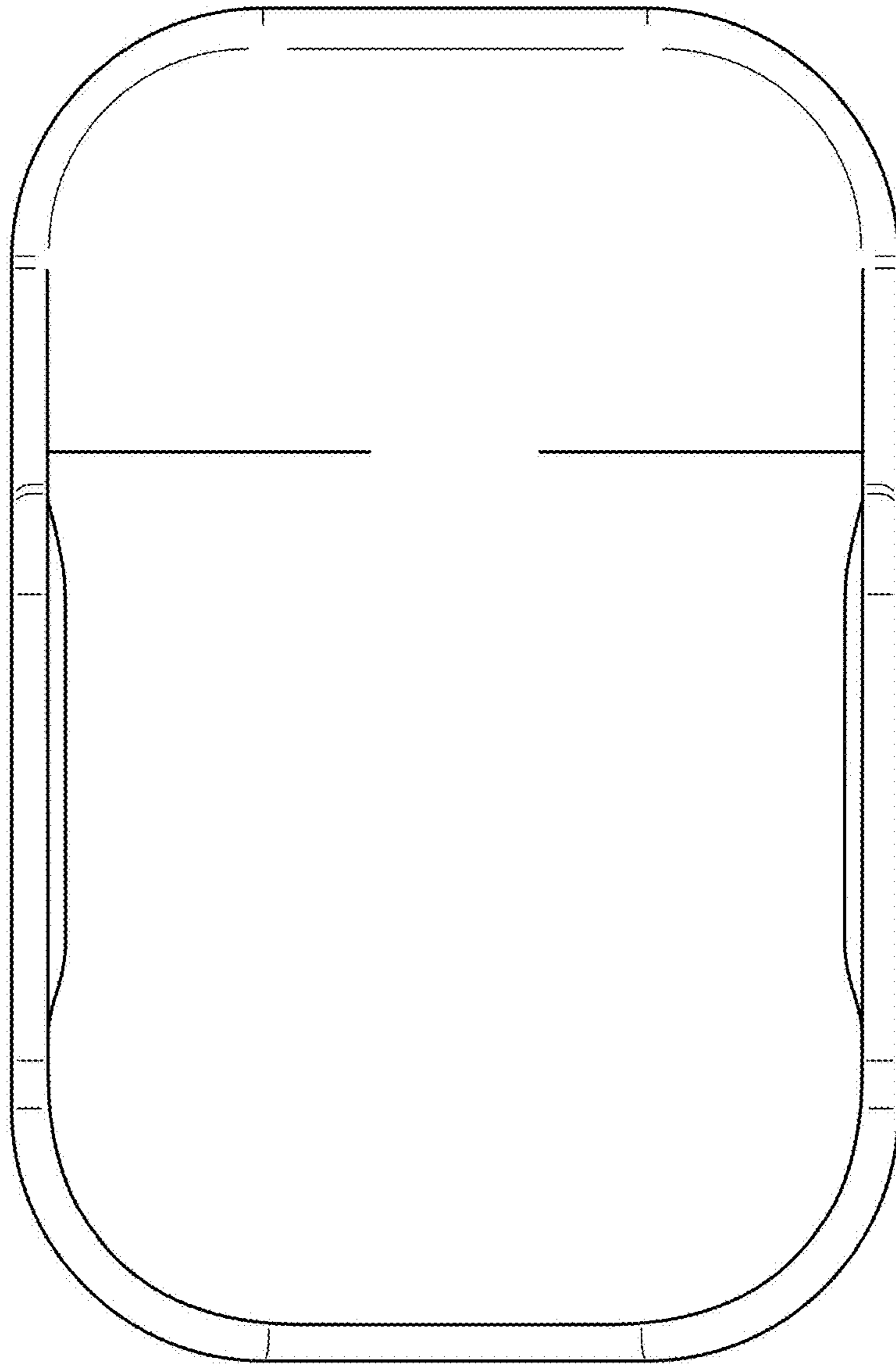


FIG. 2

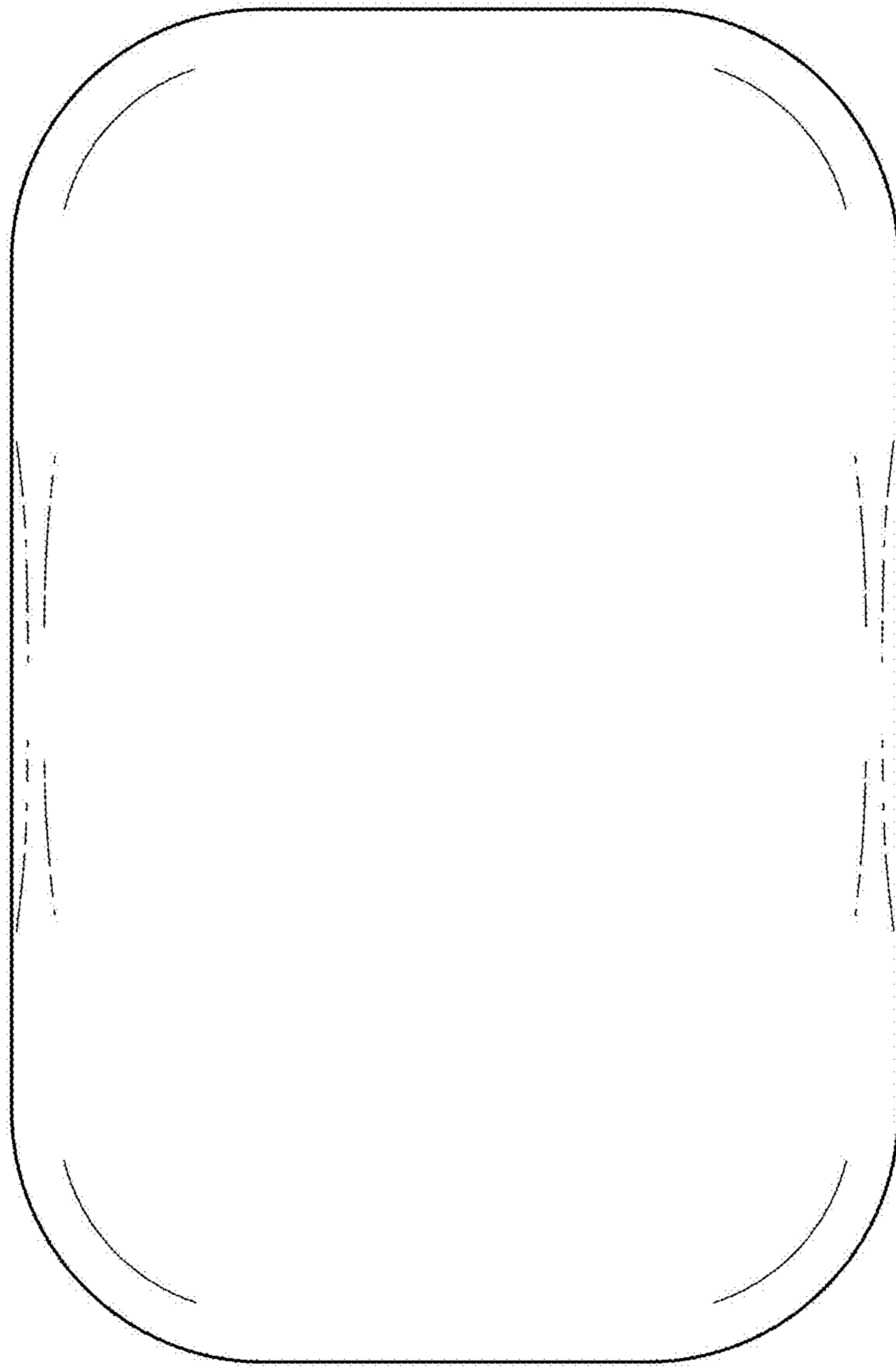


FIG. 3

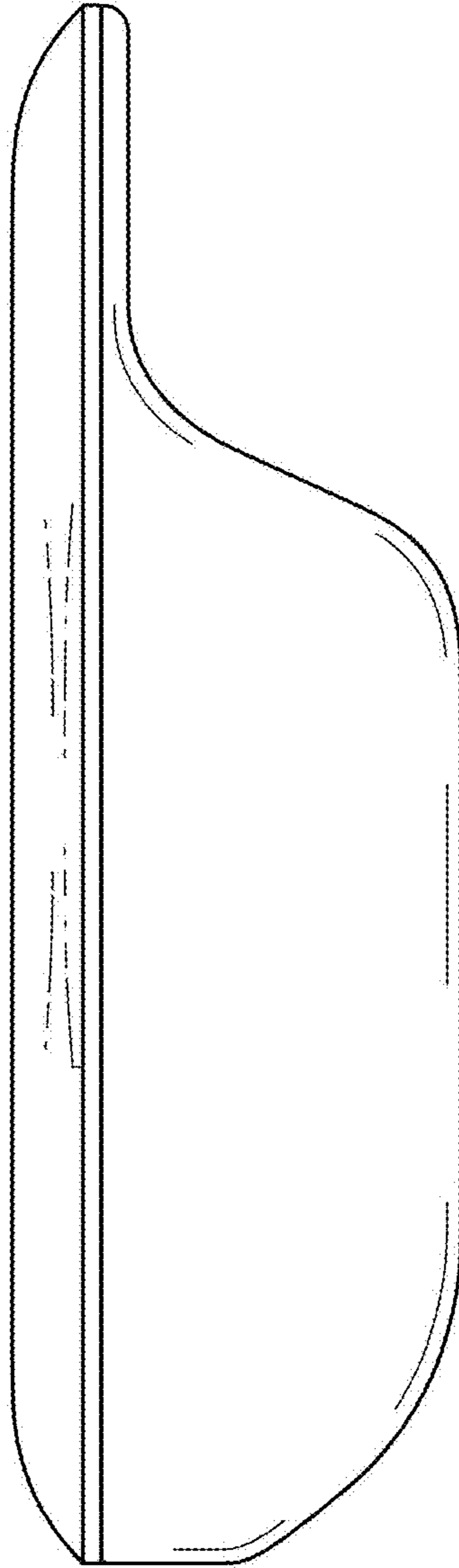


FIG. 4

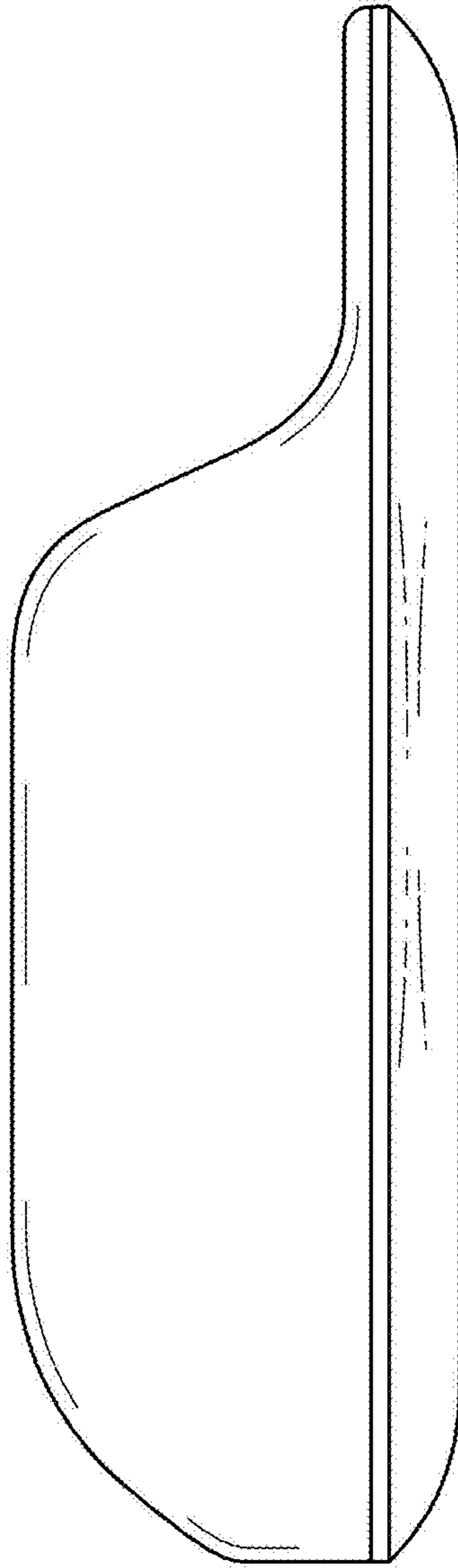


FIG. 5

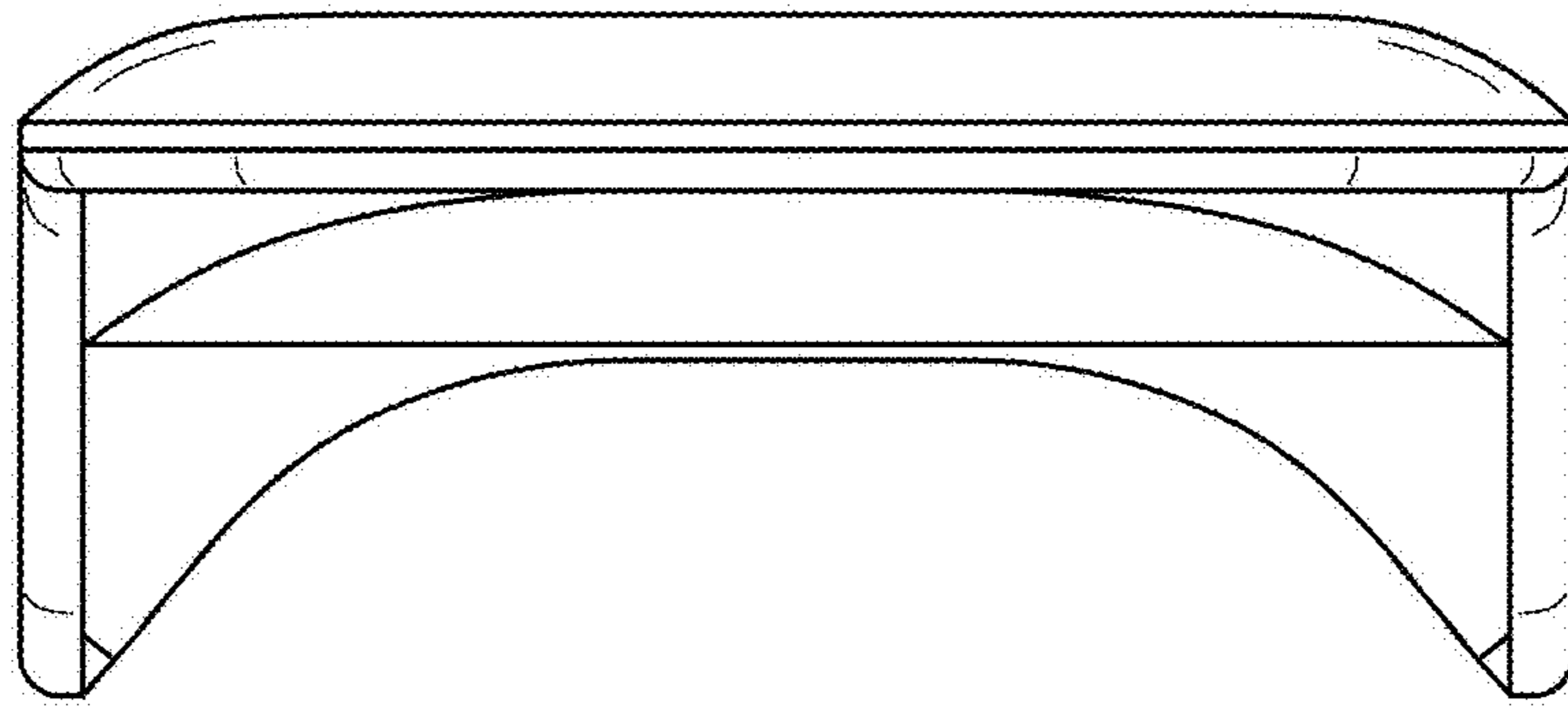


FIG. 6

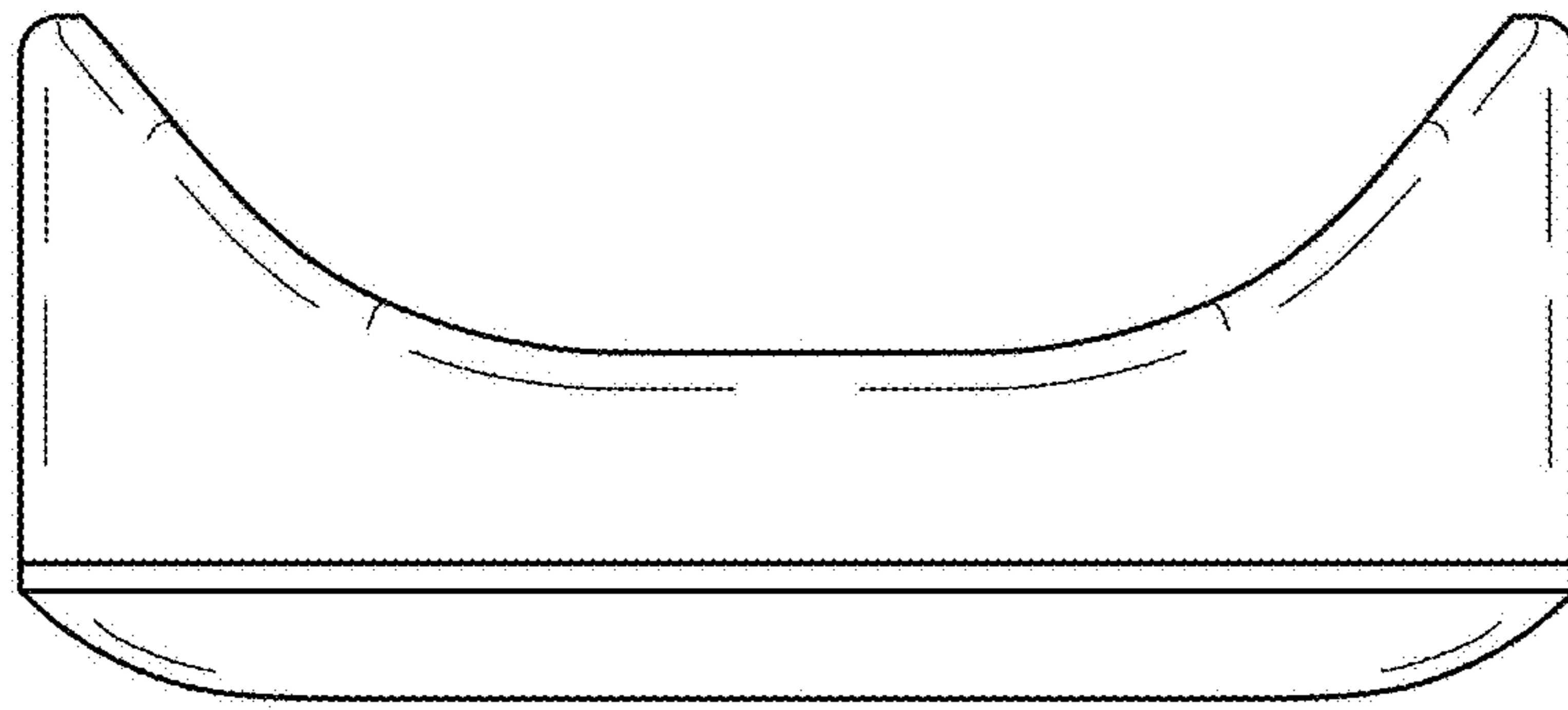


FIG. 7



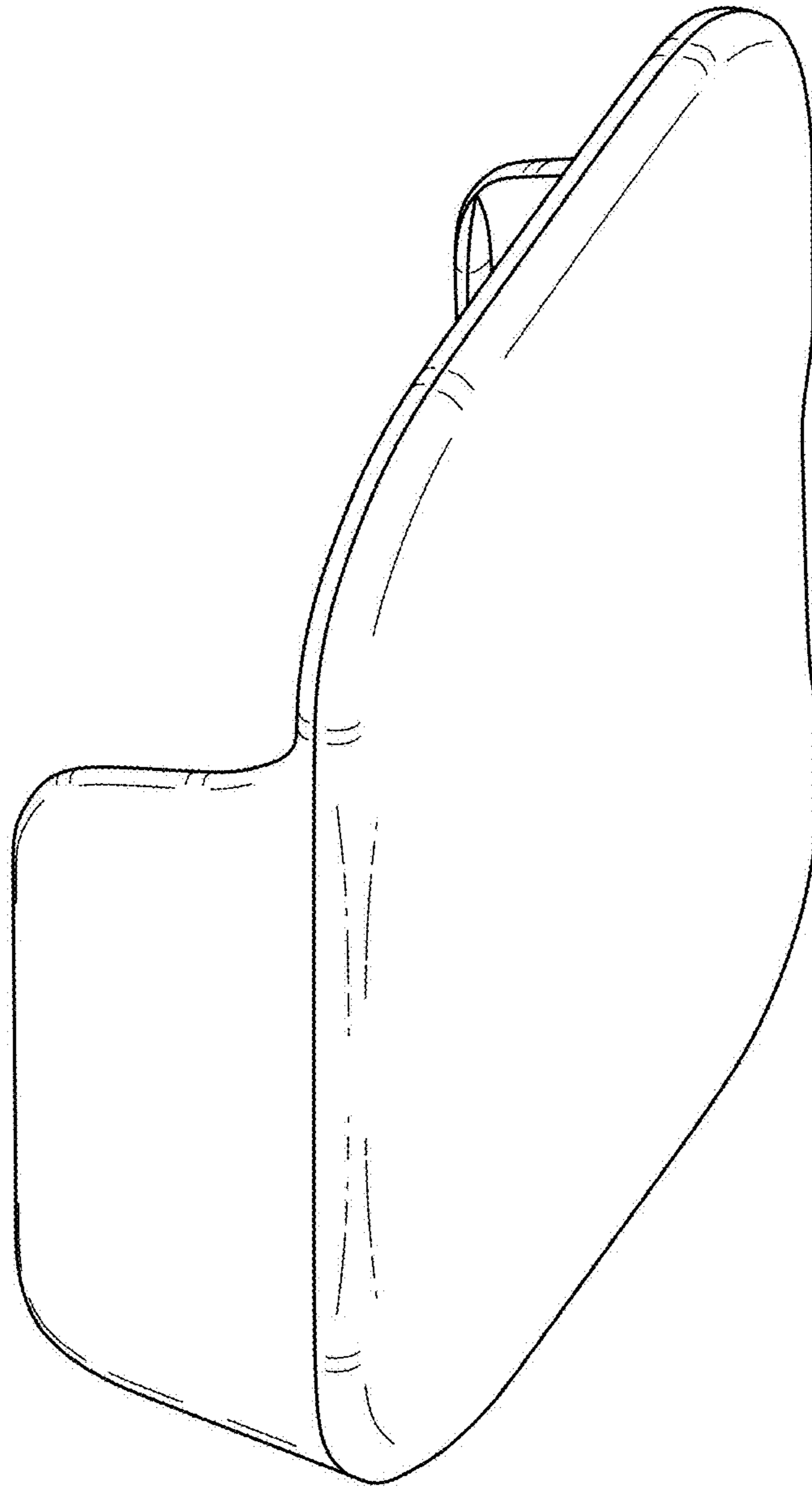


FIG. 8