



US00D882487S

(12) **United States Design Patent**
Deng

(10) **Patent No.:** **US D882,487 S**
(45) **Date of Patent:** **** Apr. 28, 2020**

(54) **HANGER FOR VEHICLES**

(71) Applicant: **Foshan Justime Electronics Co., Ltd.**,
Foshan, Guangdong Province (CN)

(72) Inventor: **Weihua Deng**, Foshan (CN)

(73) Assignee: **Foshan Justime Electronics Co., Ltd.**,
Foshan (CN)

(**) Term: **15 Years**

(21) Appl. No.: **29/650,377**

(22) Filed: **Jun. 6, 2018**

(51) **LOC (12) Cl.** **12-16**

(52) **U.S. Cl.**
USPC **D12/415**

(58) **Field of Classification Search**
USPC D12/414, 404-406, 418-420, 415, 106;
223/85, 71, 92, 98, 88, 947, 86, 89;
D6/319, 327, 328, 315, 317, 324;
224/313, 482, 548, 275; 211/105.3, 94,
211/162, 322, 221.3; 296/214
CPC A41D 27/00; A41D 27/22; A47G 25/14;
B60R 7/00; B60R 7/10; A47F 5/08
See application file for complete search history.

(56) **References Cited**

U.S. PATENT DOCUMENTS

4,936,491 A * 6/1990 Calad B60R 7/10
224/549
5,820,205 A * 10/1998 Ammons B60R 7/10
296/214

* cited by examiner

Primary Examiner — Abraham Bahta

(74) *Attorney, Agent, or Firm* — Aslan Law, P.C.

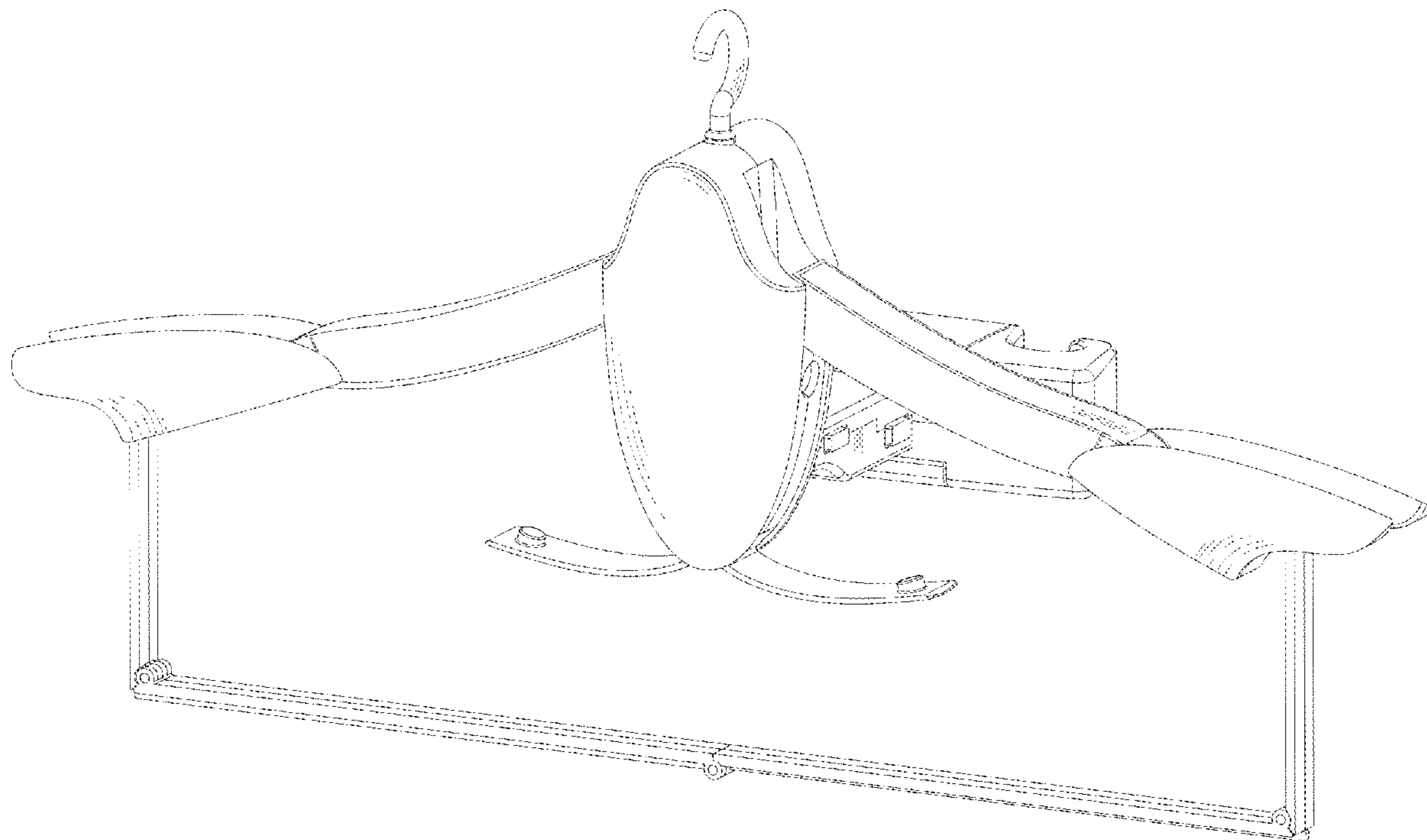
(57) **CLAIM**

The ornamental design for a hanger for vehicles, as shown and described.

DESCRIPTION

FIG. 1 is a perspective view of the hanger for vehicles showing my new design;
FIG. 2 is a front view thereof;
FIG. 3 is a back view thereof;
FIG. 4 is a top view thereof;
FIG. 5 is a bottom view thereof;
FIG. 6 is a left side view thereof; and,
FIG. 7 is a right side view thereof.

1 Claim, 7 Drawing Sheets



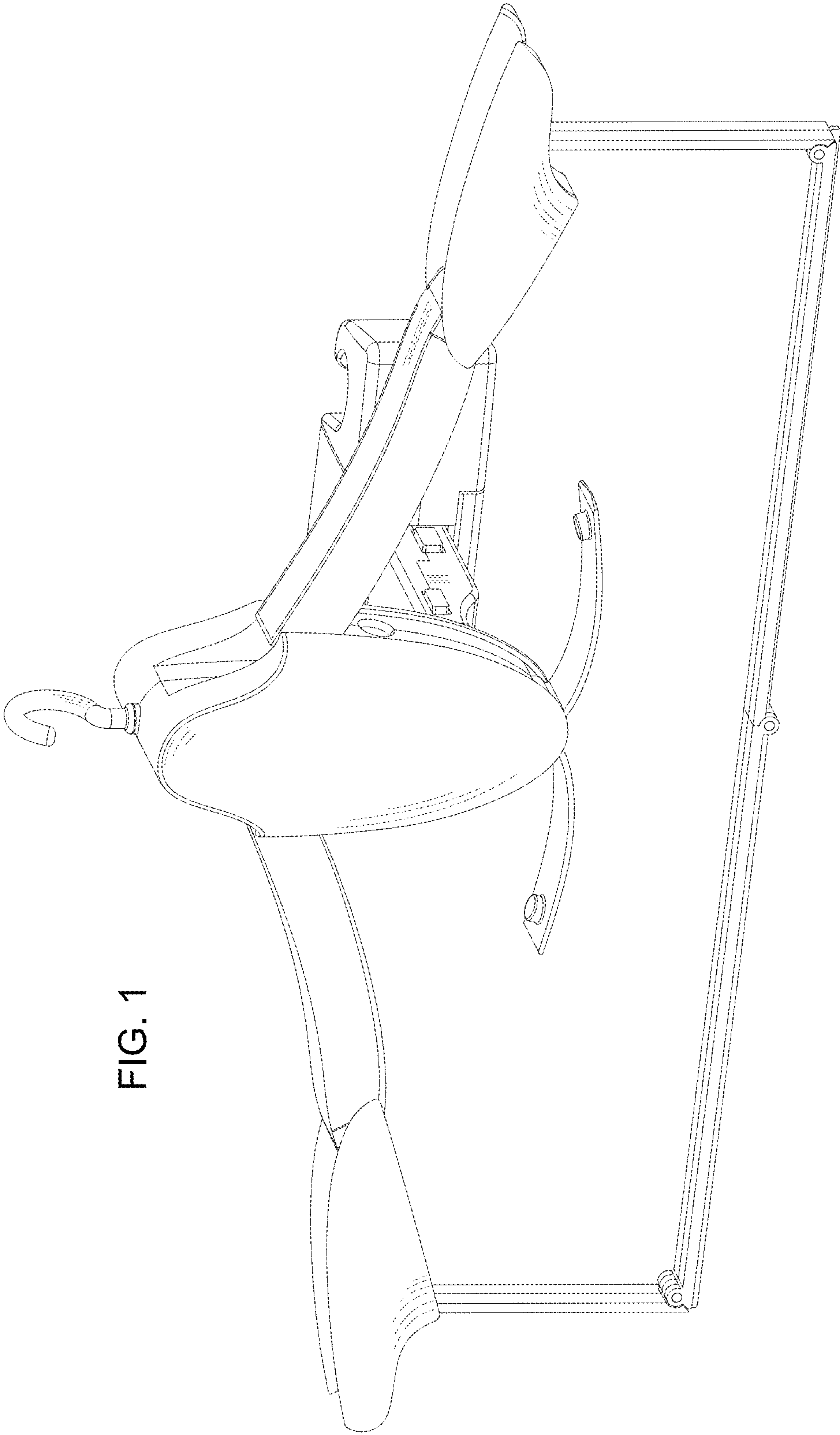


FIG. 1

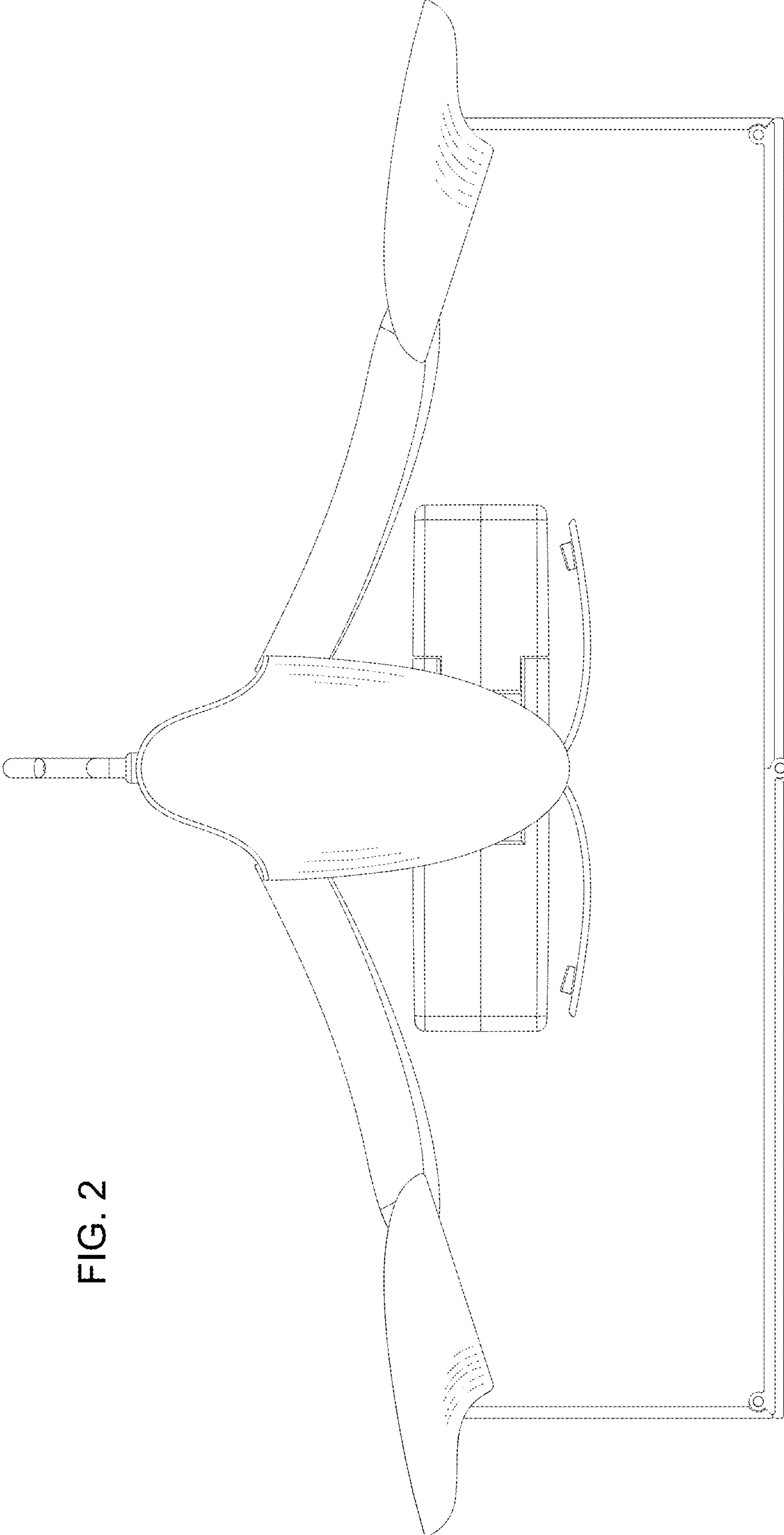


FIG. 2

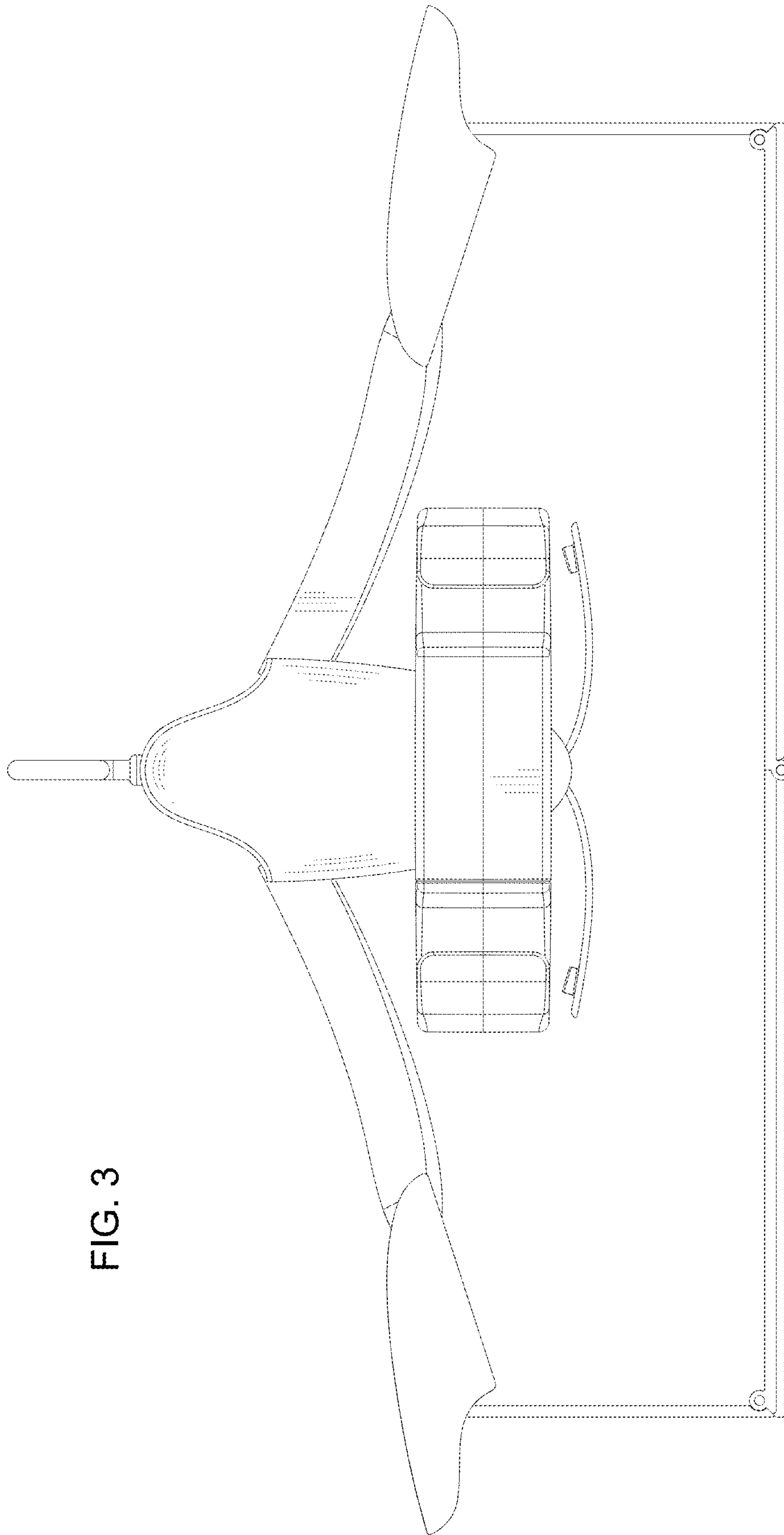


FIG. 3

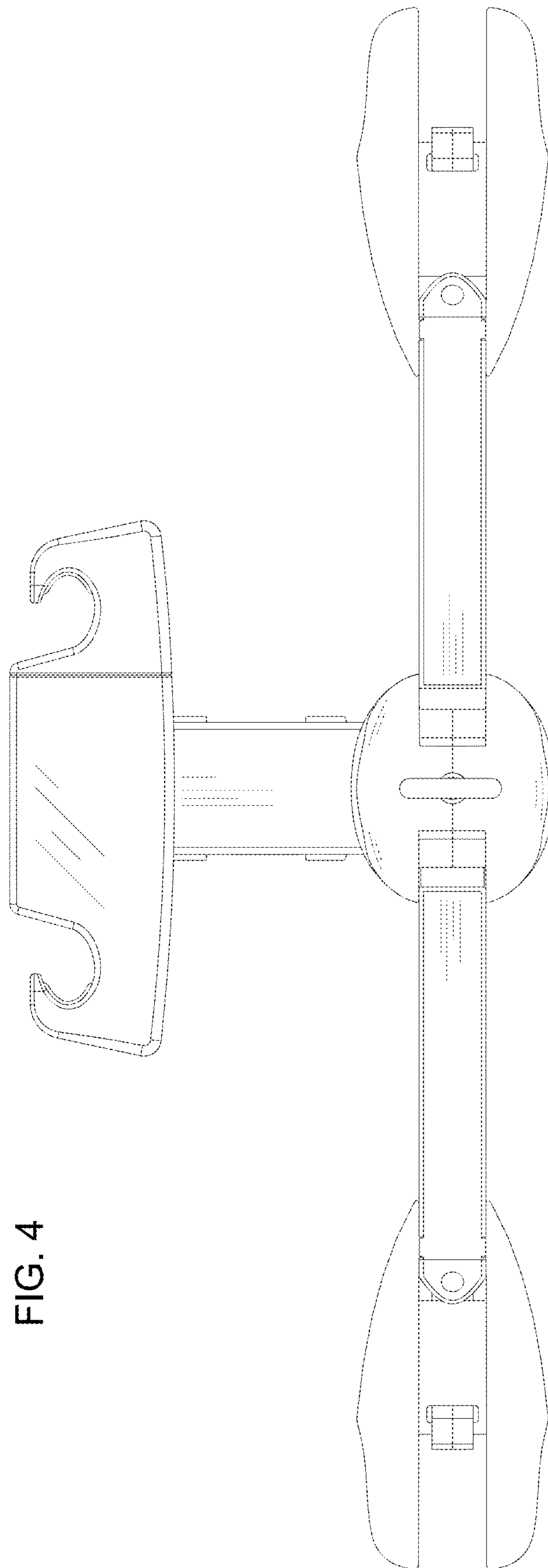
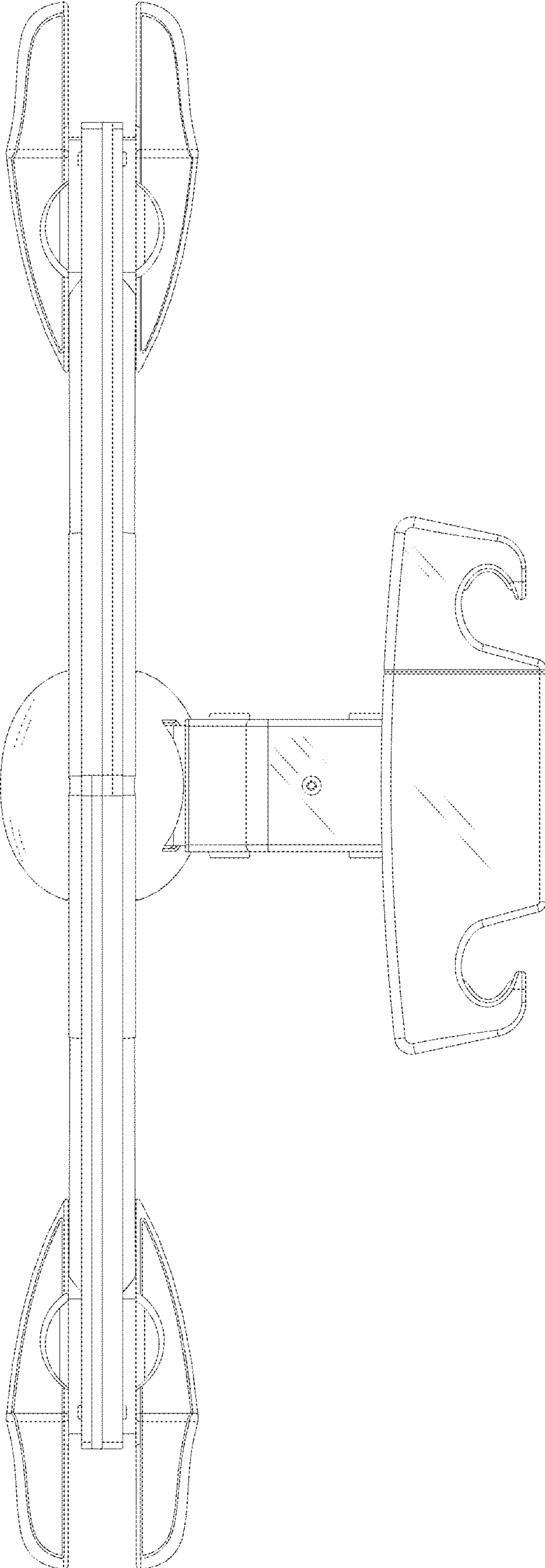


FIG. 4

FIG. 5



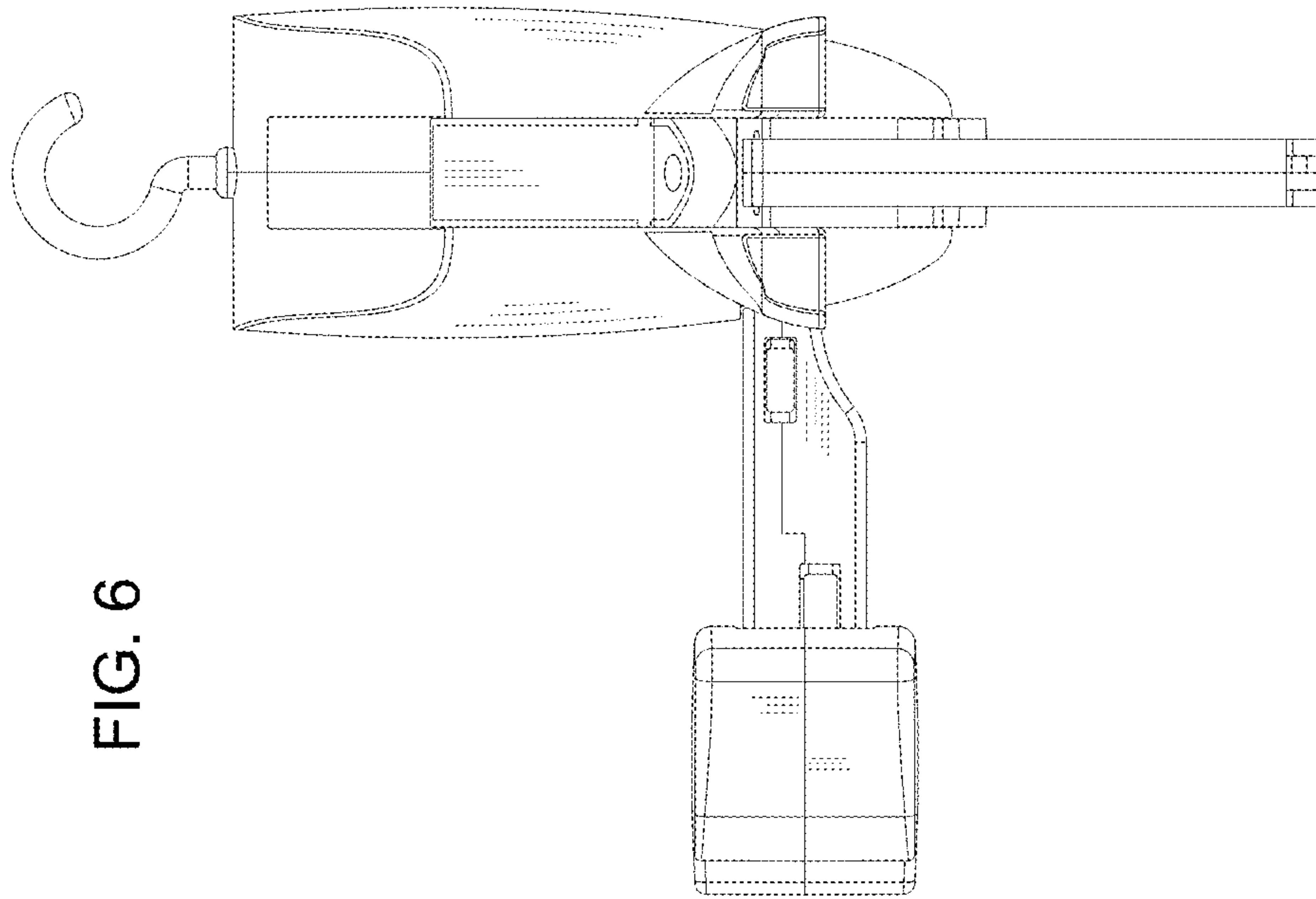


FIG. 6

FIG. 7

