



US00D882485S

(12) **United States Design Patent**
Woodhouse et al.

(10) **Patent No.:** **US D882,485 S**
(45) **Date of Patent:** **** Apr. 28, 2020**

(54) **VEHICLE WHEEL**

(71) Applicant: **Ford Global Technologies, LLC**,
Dearborn, MI (US)

(72) Inventors: **David Woodhouse**, Troy, MI (US);
Kemal Curic, Irvine, CA (US); **Shawn Wehrly**, Northville, MI (US); **Anthony Colard**, Dearborn, MI (US)

(73) Assignee: **Ford Global Technologies, LLC**,
Dearborn, MI (US)

(**) Term: **15 Years**

(21) Appl. No.: **29/685,601**

(22) Filed: **Mar. 29, 2019**

(51) **LOC (12) Cl.** **12-16**

(52) **U.S. Cl.**
USPC **D12/209**

(58) **Field of Classification Search**
USPC D12/204–213; D21/563
CPC B60B 7/00; B60B 7/02; B60B 7/04; B60B 7/01; B60B 7/06; B60B 3/02; B60B 3/04; B60B 3/06; B60B 3/10; B60B 1/00; B60B 1/08; B60B 1/10; B60B 1/12
See application file for complete search history.

(56) **References Cited**

U.S. PATENT DOCUMENTS

D668,197 S	*	10/2012	Gotschke	D12/211
D673,103 S	*	12/2012	Song	D12/211
D682,763 S	*	5/2013	Song	D12/211
D696,616 S		12/2013	Gueler et al.		
D720,676 S		1/2015	Caswell et al.		

D720,677 S		1/2015	Diephuis et al.		
D727,234 S		4/2015	Caswell et al.		
D727,828 S	*	4/2015	Amezketta	D12/211
D730,797 S		6/2015	Caswell et al.		
D730,798 S		6/2015	Diephuis et al.		
D744,926 S		12/2015	Caswell et al.		
D751,482 S		3/2016	Caswell et al.		
D759,562 S	*	6/2016	Wheel	D12/209
D760,636 S	*	7/2016	Kolb	D12/211
D791,034 S	*	7/2017	Rueckheim	D12/209
D794,531 S	*	8/2017	Zhao	D12/211
D799,396 S	*	10/2017	Song	D12/211
D803,128 S	*	11/2017	Svensson	D12/209
D822,576 S	*	7/2018	Austin	D12/211
D827,542 S	*	9/2018	Woodhouse	D12/209
D827,543 S	*	9/2018	Woodhouse	D12/209
D828,268 S	*	9/2018	Nakamura	D12/209
D838,223 S	*	1/2019	Chung	D12/209
D846,472 S	*	4/2019	Tomasson	D12/209
D846,476 S	*	4/2019	Lucas	D12/209
D852,708 S	*	7/2019	Lucas	D12/211
D852,710 S	*	7/2019	Groth	D12/211
D852,713 S	*	7/2019	Khachatryan	D12/211
D862,347 S	*	10/2019	Woodhouse	D12/209
D862,350 S	*	10/2019	Woodhouse	D12/209

* cited by examiner

Primary Examiner — Stacia A Cadmus

(74) *Attorney, Agent, or Firm* — Vichit Chea

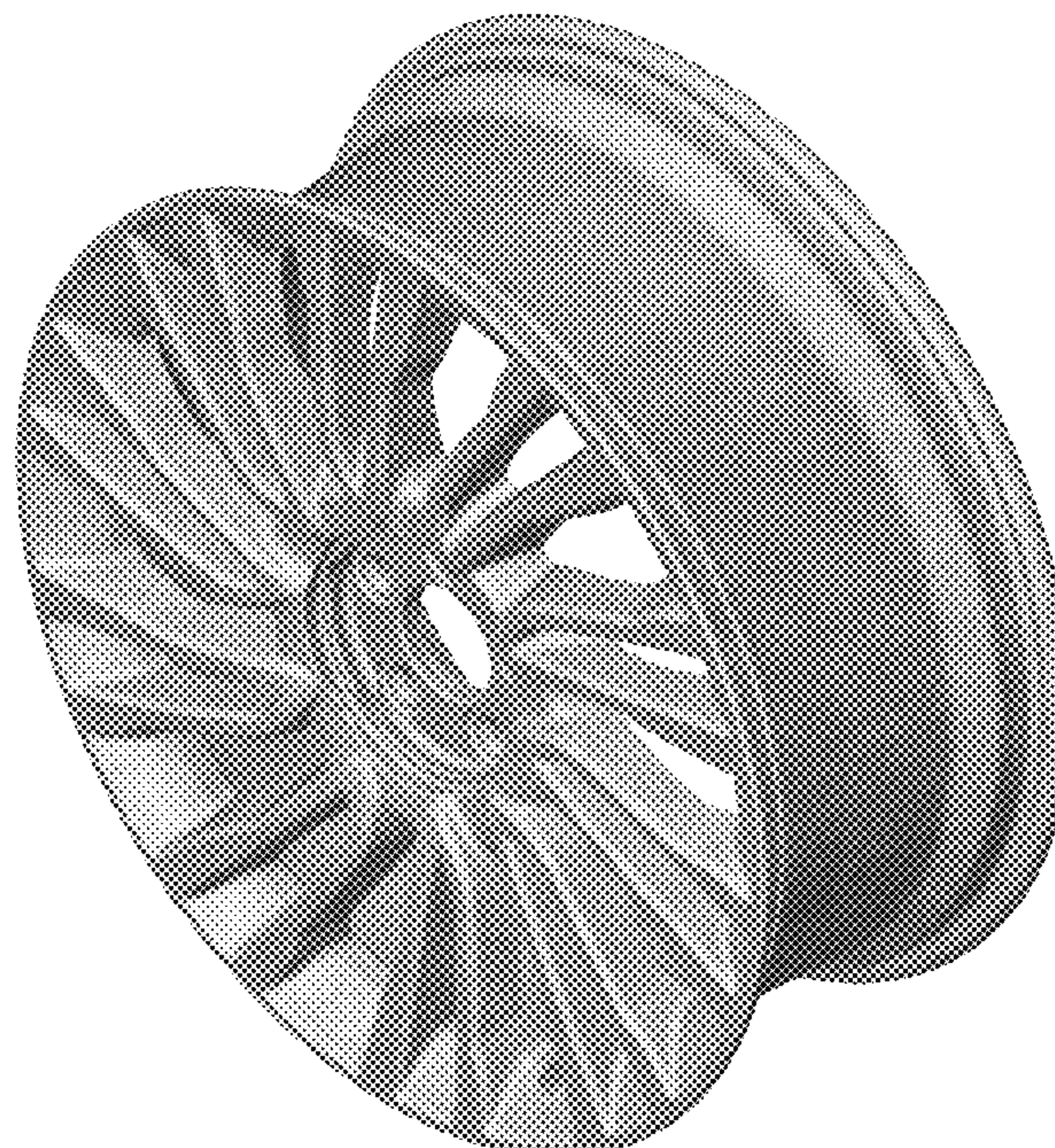
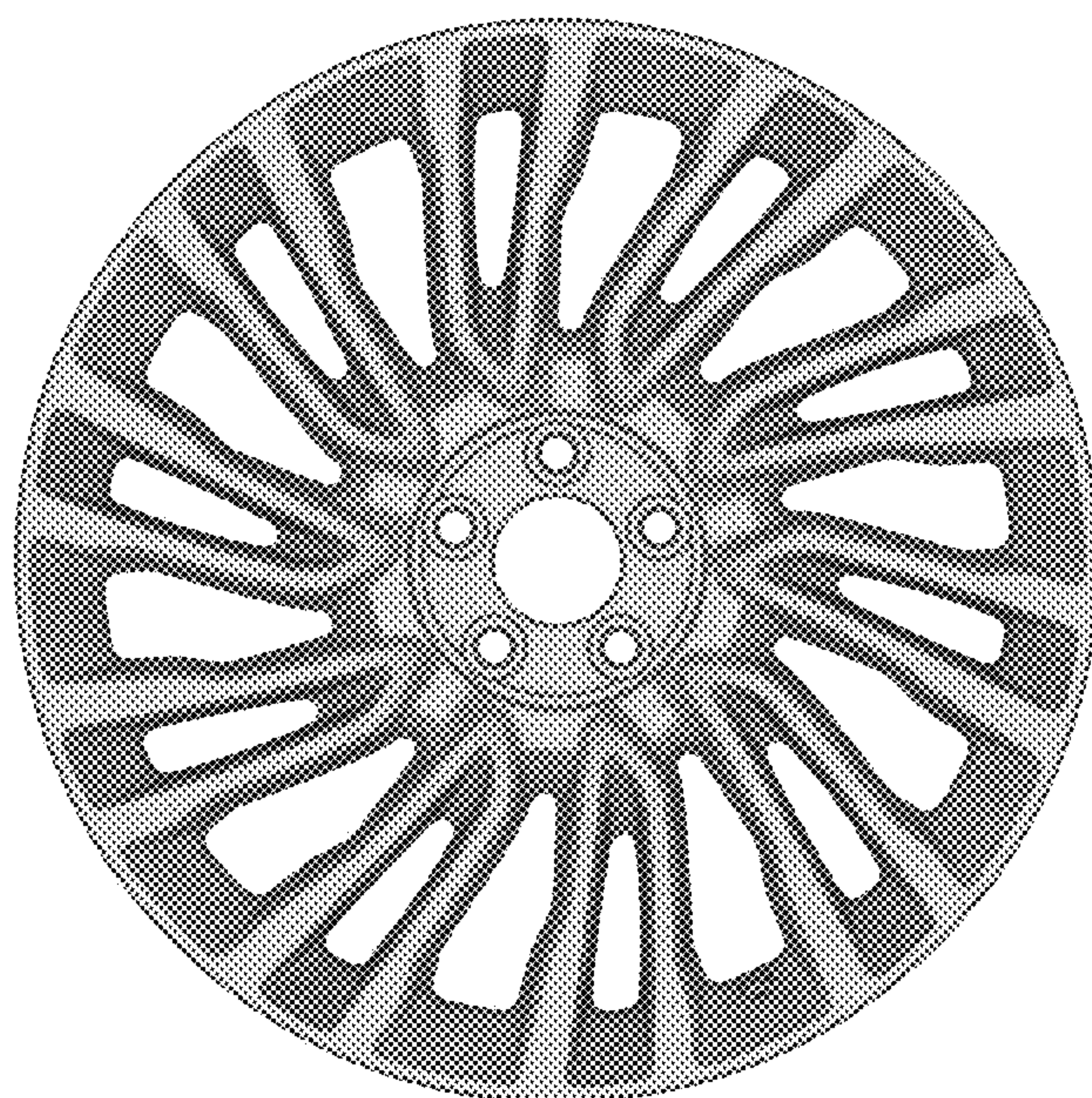
(57) **CLAIM**

The ornamental design for a vehicle wheel, as shown and described.

DESCRIPTION

FIG. 1 is a front elevational view of a vehicle wheel showing our new design; and, FIG. 2 is a perspective view thereof.

1 Claim, 2 Drawing Sheets



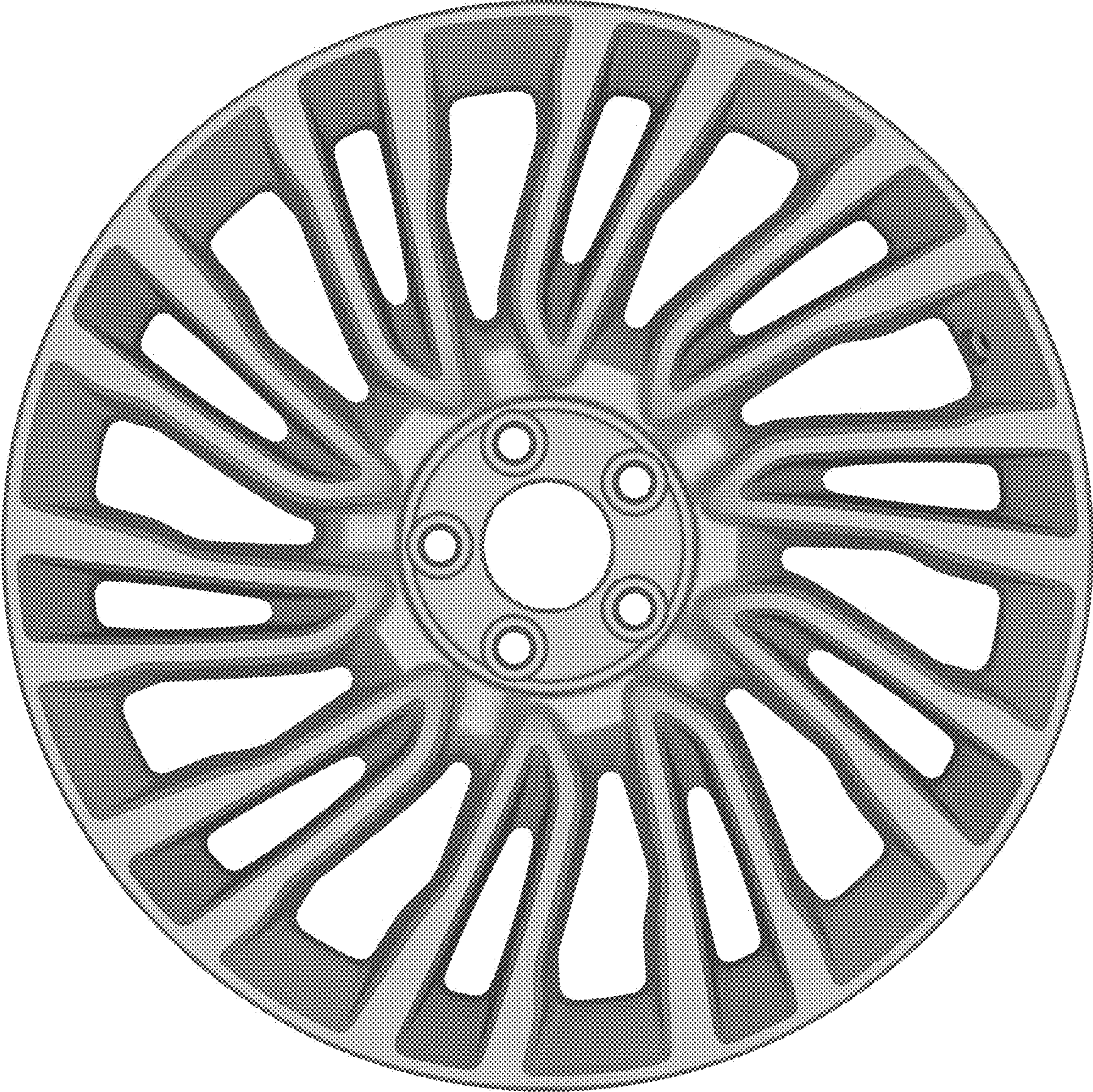


Fig. 1

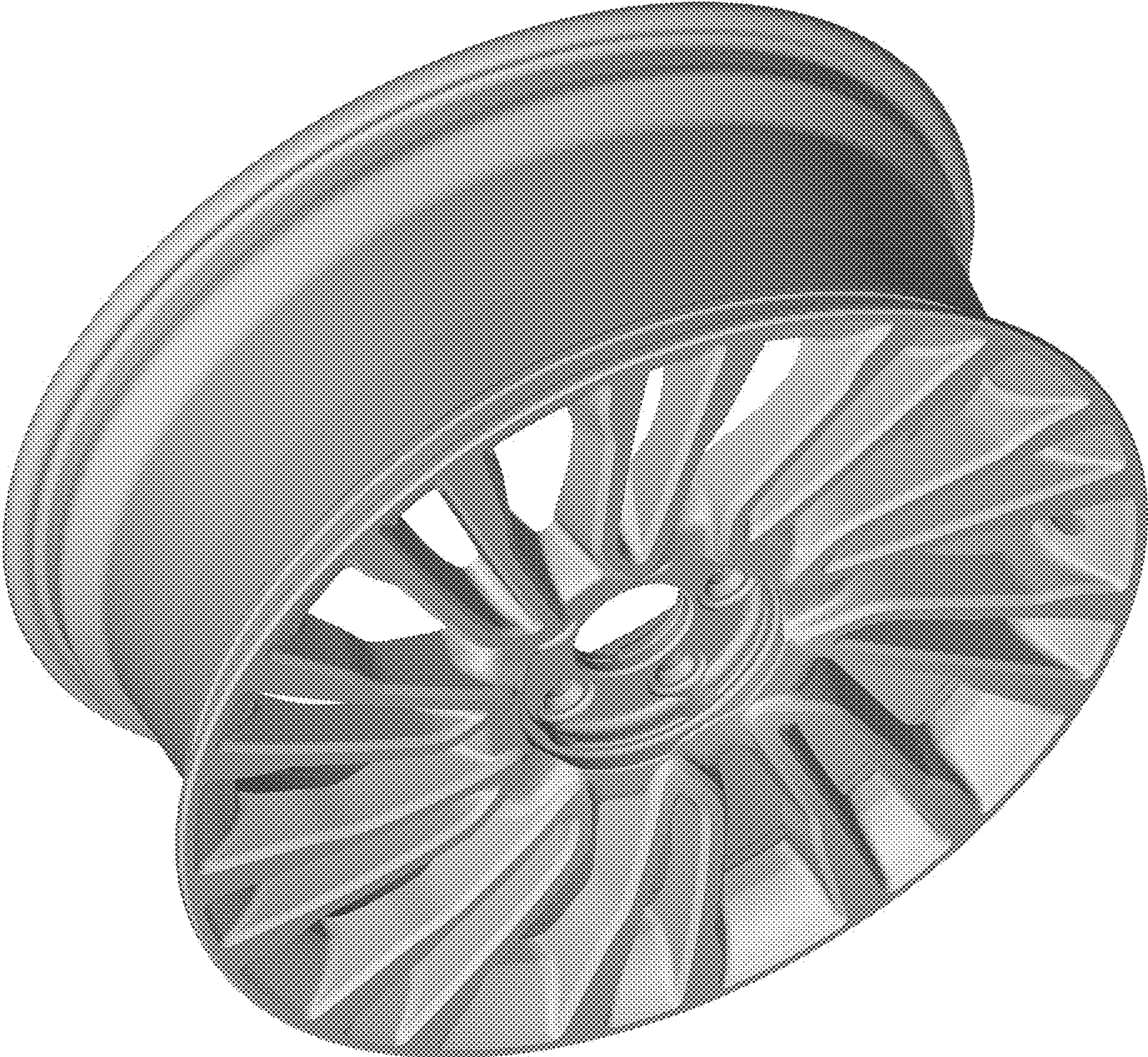


Fig. 2