



US00D882479S

(12) **United States Design Patent**
Tomasson et al.

(10) **Patent No.:** **US D882,479 S**

(45) **Date of Patent:** **** Apr. 28, 2020**

- (54) **TAILGATE**
- (71) Applicant: **NIO NEXTEV LIMITED**, Hong Kong (CN)
- (72) Inventors: **Kris Tomasson**, Hong Kong (CN); **Juho Suh**, Hong Kong (CN); **Jim Baste**, Hong Kong (CN); **Salvatore Aita**, Hong Kong (CN); **Vasiliy Kurkov**, Hong Kong (CN); **Soowan Park**, Hong Kong (CN)
- (73) Assignee: **NIO NEXTEV LIMITED**, Hong Kong (CN)
- (**) Term: **15 Years**
- (21) Appl. No.: **29/615,129**
- (22) Filed: **Aug. 25, 2017**
- (30) **Foreign Application Priority Data**

Apr. 10, 2017 (CN) 2017 3 0115155

- (51) **LOC (12) Cl.** **12-16**
- (52) **U.S. Cl.**
USPC **D12/196**
- (58) **Field of Classification Search**
USPC D12/86, 90, 91, 92, 163, 169, 171, 183, D12/196, 216
CPC B62D 24/02; B62D 25/00; B62D 25/003; B62D 25/02; B62D 25/08; B62D 33/0273; B62D 33/03; B62D 33/037
See application file for complete search history.

(56) **References Cited**
U.S. PATENT DOCUMENTS

- D499,357 S * 12/2004 Velazco D12/91
- D663,665 S * 7/2012 Hakamata D12/196

- D736,128 S * 8/2015 Blanski D12/196
- D749,480 S * 2/2016 Yu D12/196
- D766,795 S * 9/2016 Kim D12/196
- D783,482 S * 4/2017 Smith D12/196
- D788,644 S * 6/2017 Mueller D12/91
- D788,645 S * 6/2017 Mueller D12/91
- D790,400 S * 6/2017 Zavatski D12/91
- D797,632 S * 9/2017 Zipfel D12/196
- D799,375 S * 10/2017 Zavatski D12/91
- D799,376 S * 10/2017 Telaak D12/91
- D801,858 S * 11/2017 Hagino D12/91
- D801,861 S * 11/2017 Hubers D12/91
- D801,862 S * 11/2017 Brendel D12/91
- D802,478 S * 11/2017 Perkins D12/91
- D802,482 S * 11/2017 Sterner D12/91
- D803,123 S * 11/2017 Granlund D12/196
- D804,359 S * 12/2017 Ishii D12/91
- D805,433 S * 12/2017 Scheinhoff D12/91
- D805,434 S * 12/2017 Bischoff D12/91
- D805,959 S * 12/2017 Wheel D12/91
- D805,985 S * 12/2017 Nakamura D12/196
- D807,227 S * 1/2018 Chen D12/91
- D807,228 S * 1/2018 Woolley D12/91
- D807,788 S * 1/2018 Hatton D12/91

(Continued)

Primary Examiner — Susan Bennett Hattan
Assistant Examiner — Suzanne E Tisdell
(74) *Attorney, Agent, or Firm* — Sheridan Ross P.C.

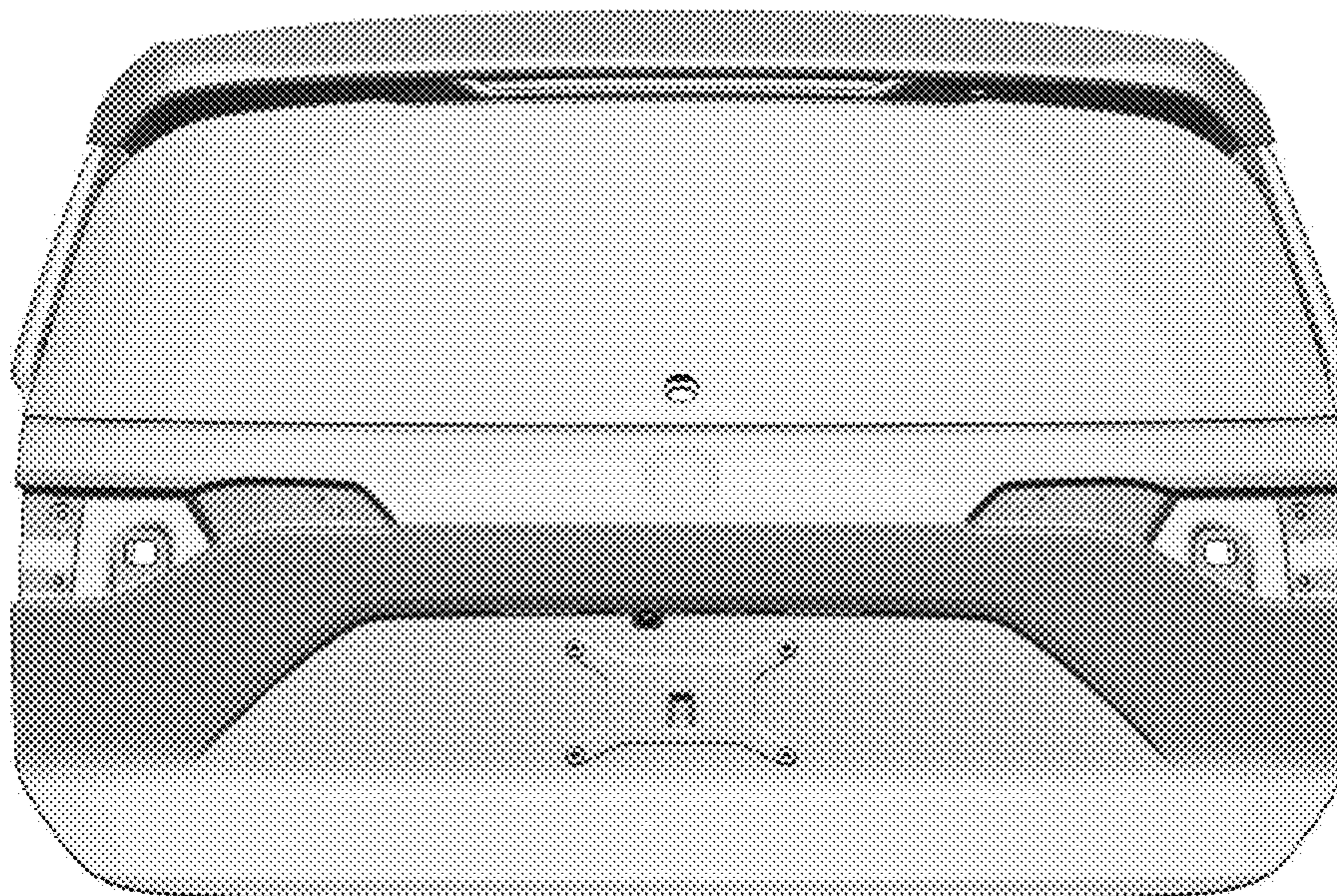
(57) **CLAIM**

The ornamental design for a tailgate, as shown and described.

DESCRIPTION

FIG. 1 is a front view thereof;
FIG. 2 is a rear view thereof;
FIG. 3 is a left side view thereof;
FIG. 4 is a right side view thereof;
FIG. 5 is a top view thereof;
FIG. 6 is a bottom view thereof; and,
FIG. 7 is a front perspective view thereof.

1 Claim, 7 Drawing Sheets



(56)

References Cited

U.S. PATENT DOCUMENTS

D808,321 S * 1/2018 Kim D12/196
2017/0210428 A1 * 7/2017 Hallik B60R 19/34

* cited by examiner

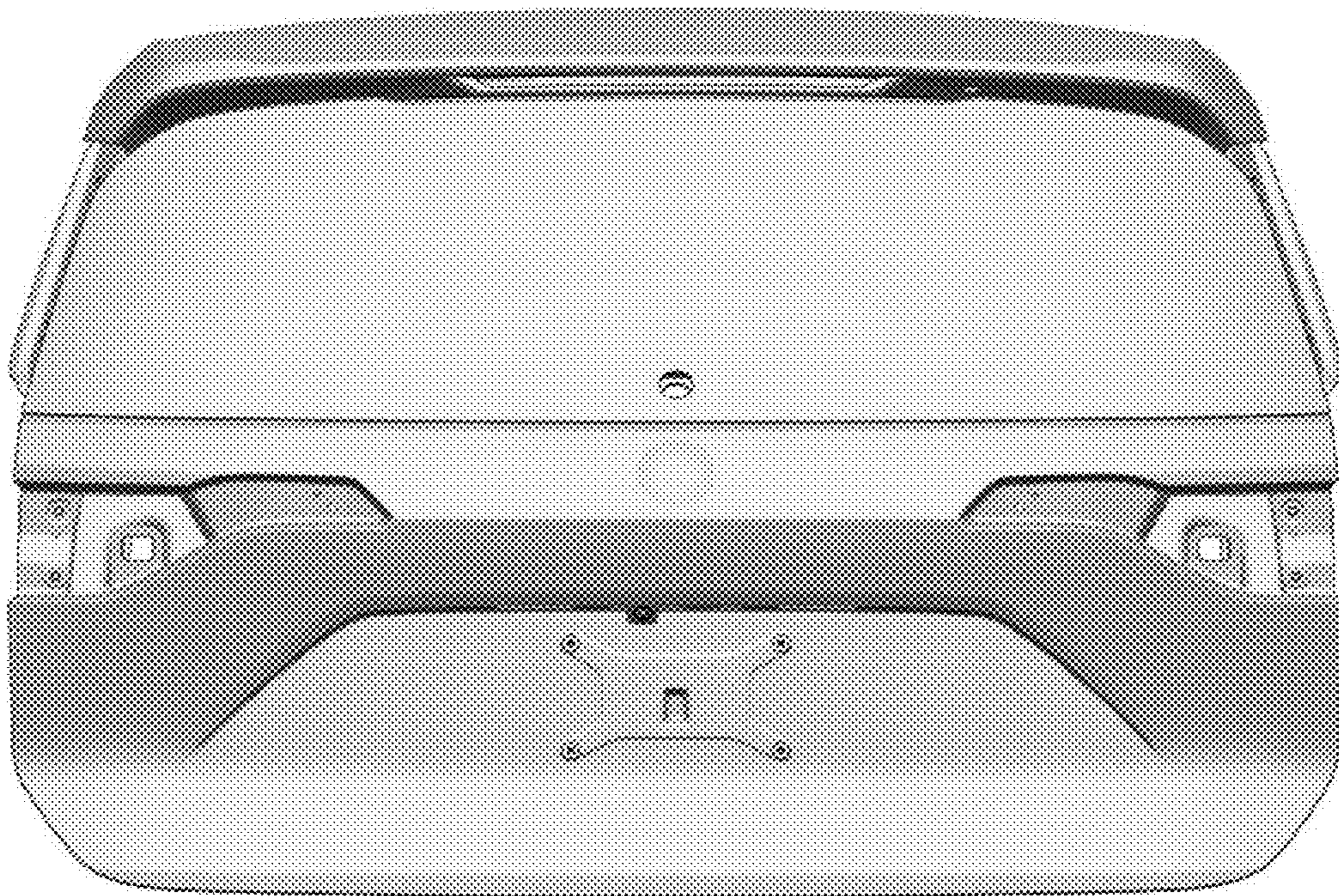


Fig. 1

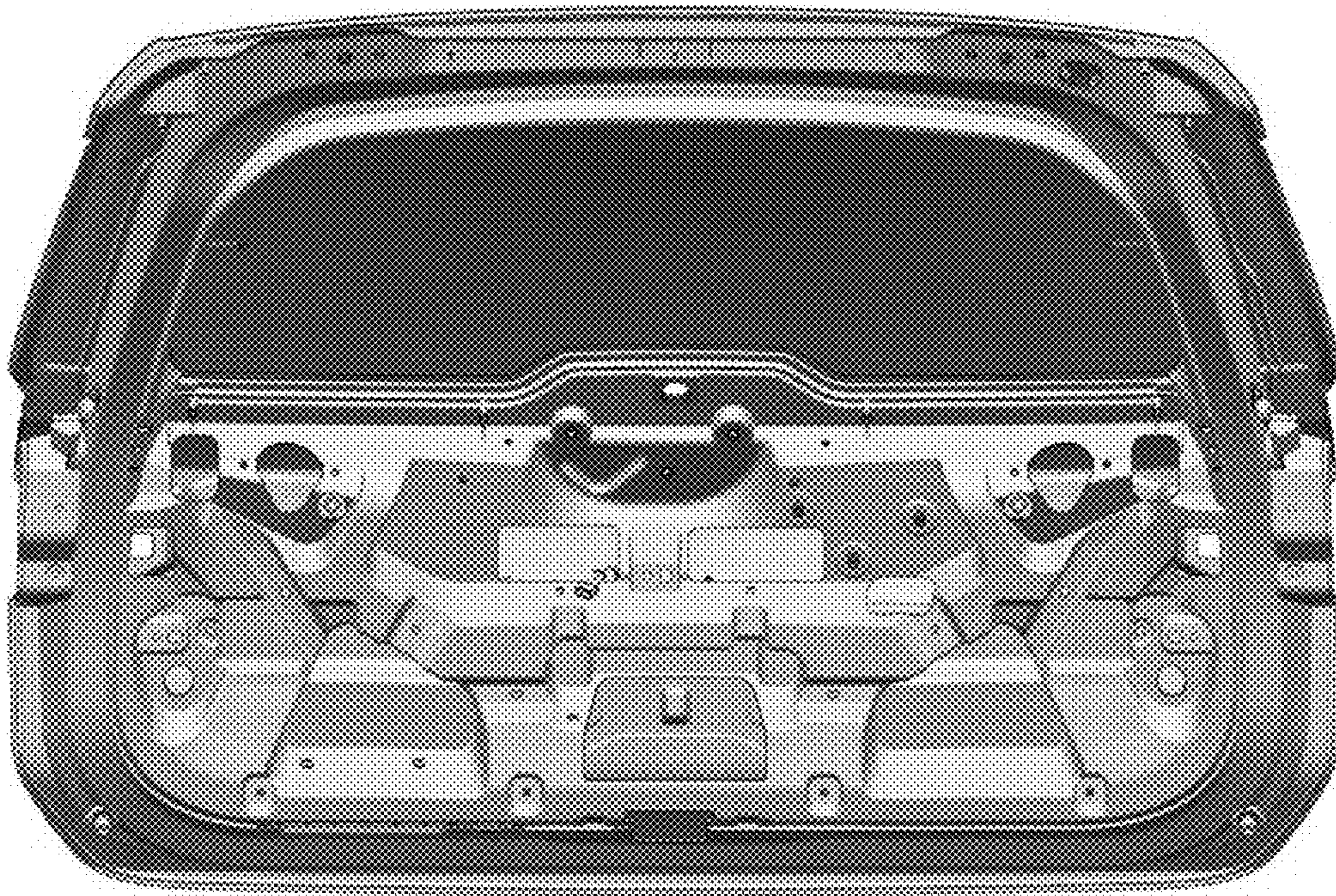


Fig. 2

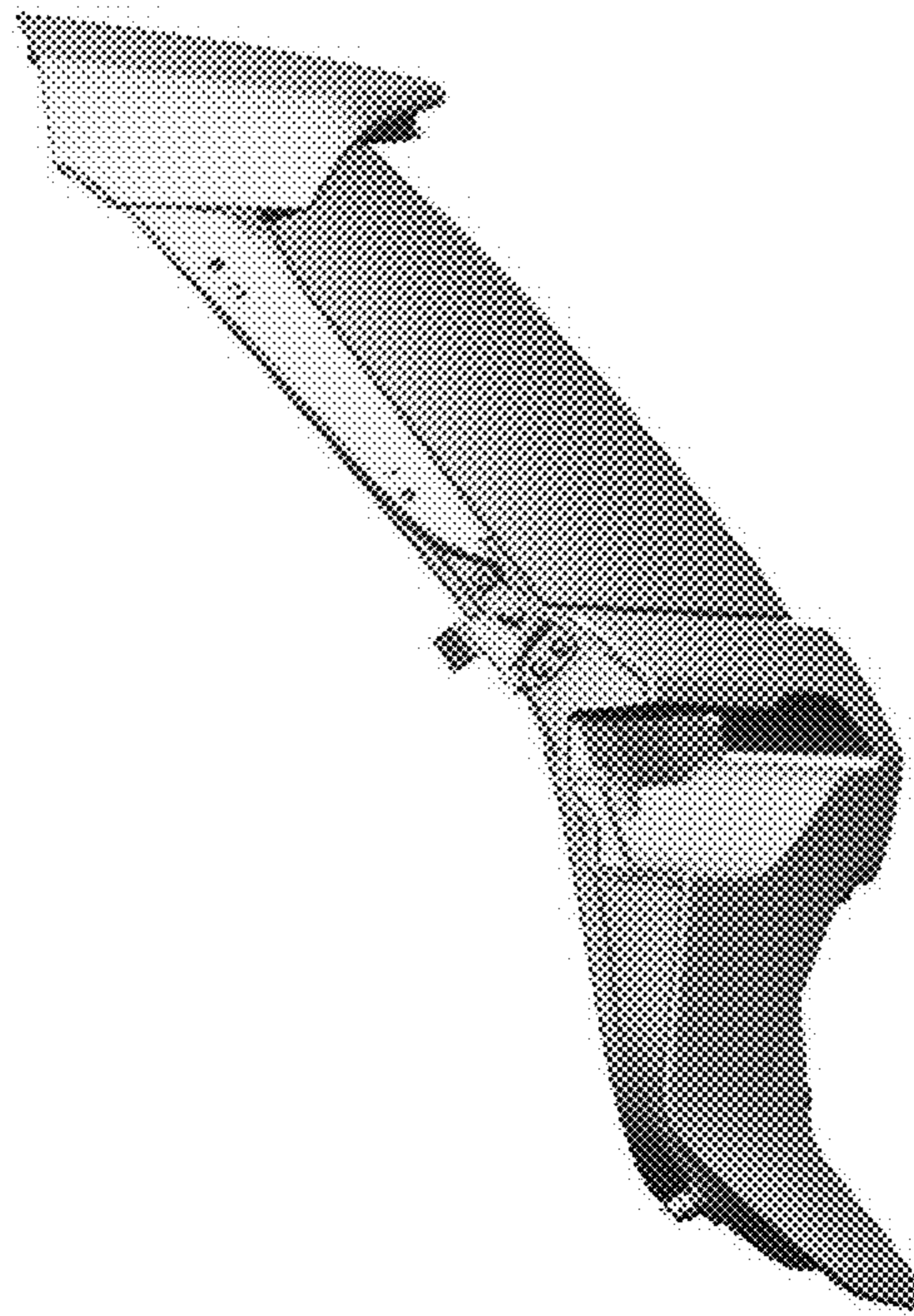


Fig. 3

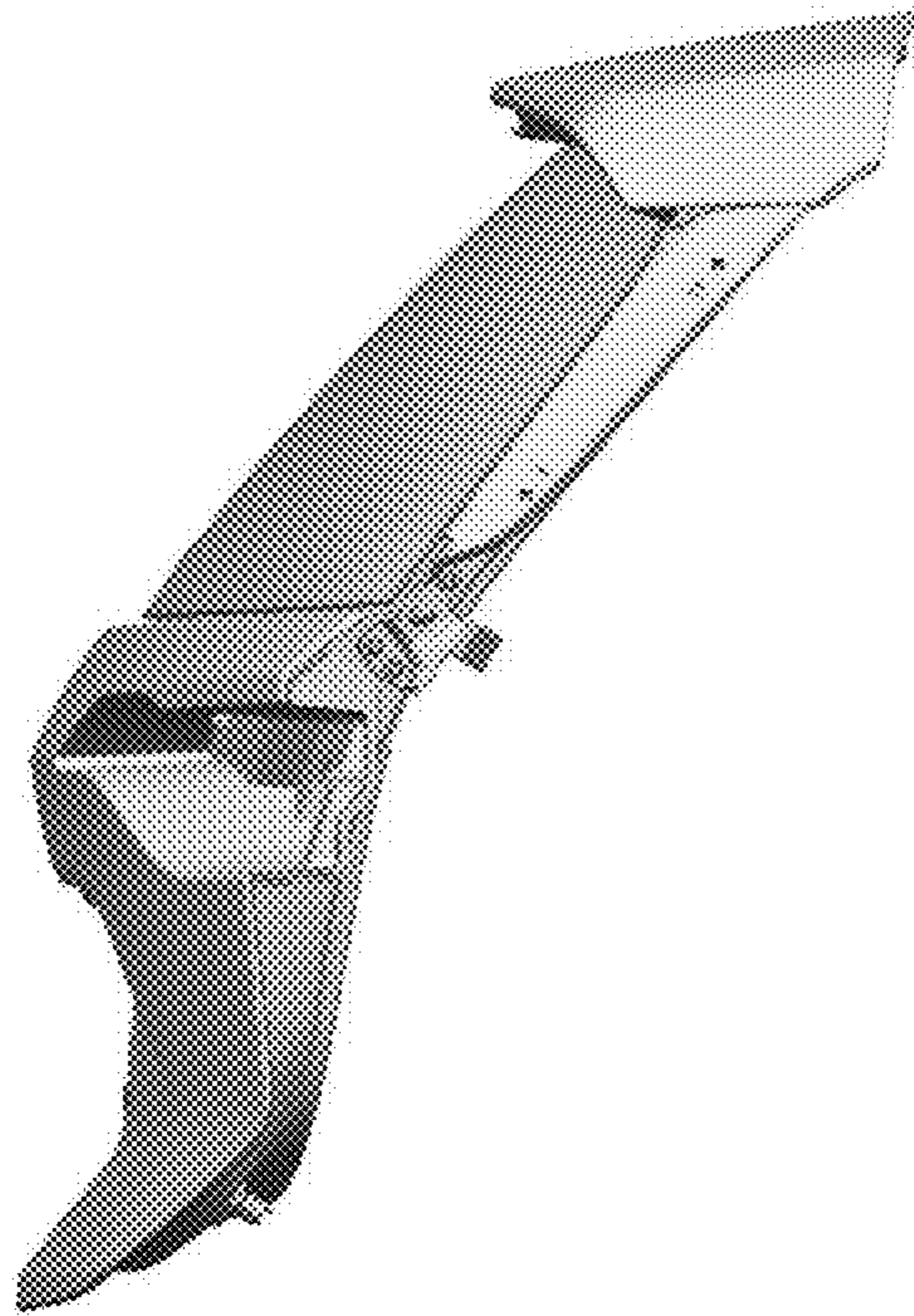


Fig. 4



Fig. 5

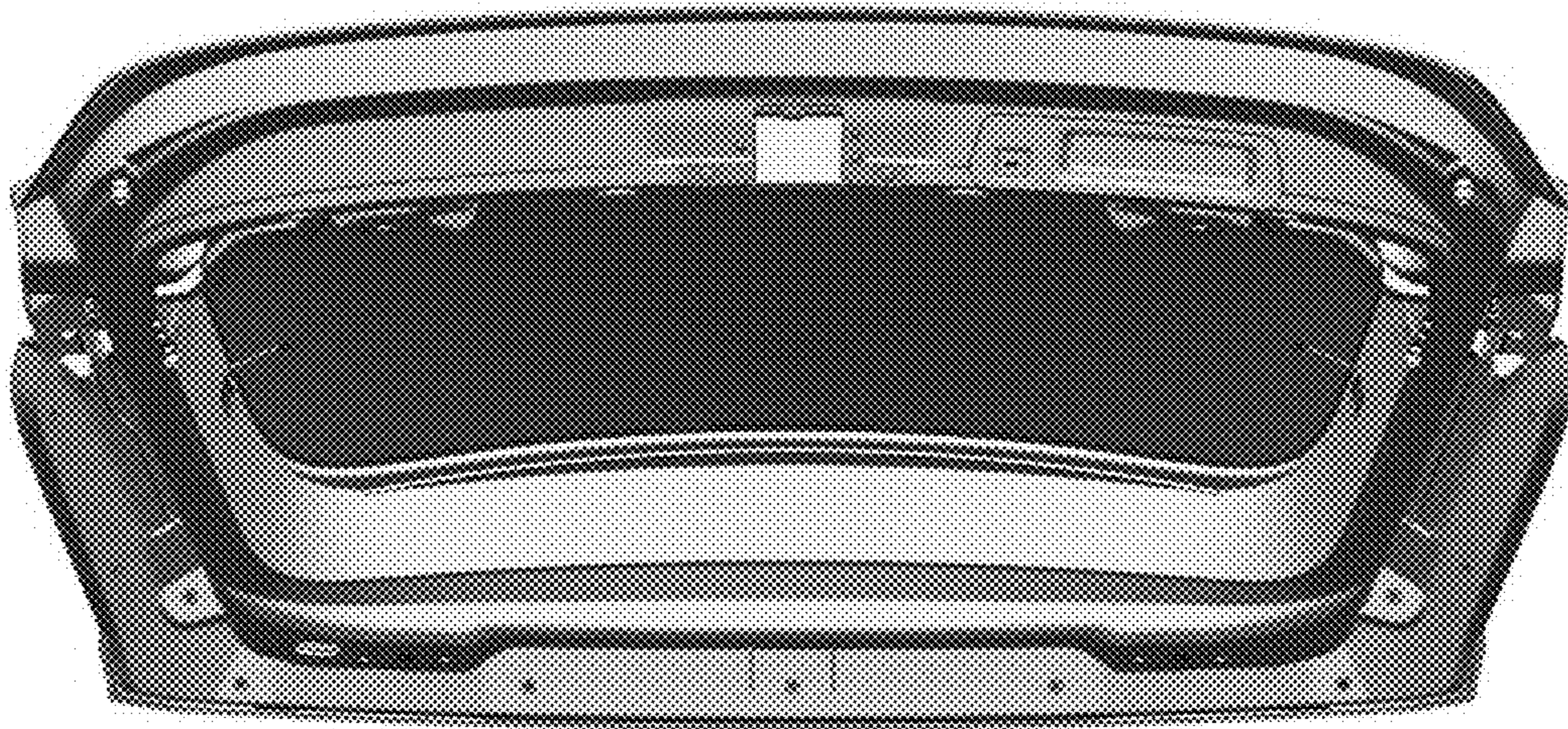


Fig. 6

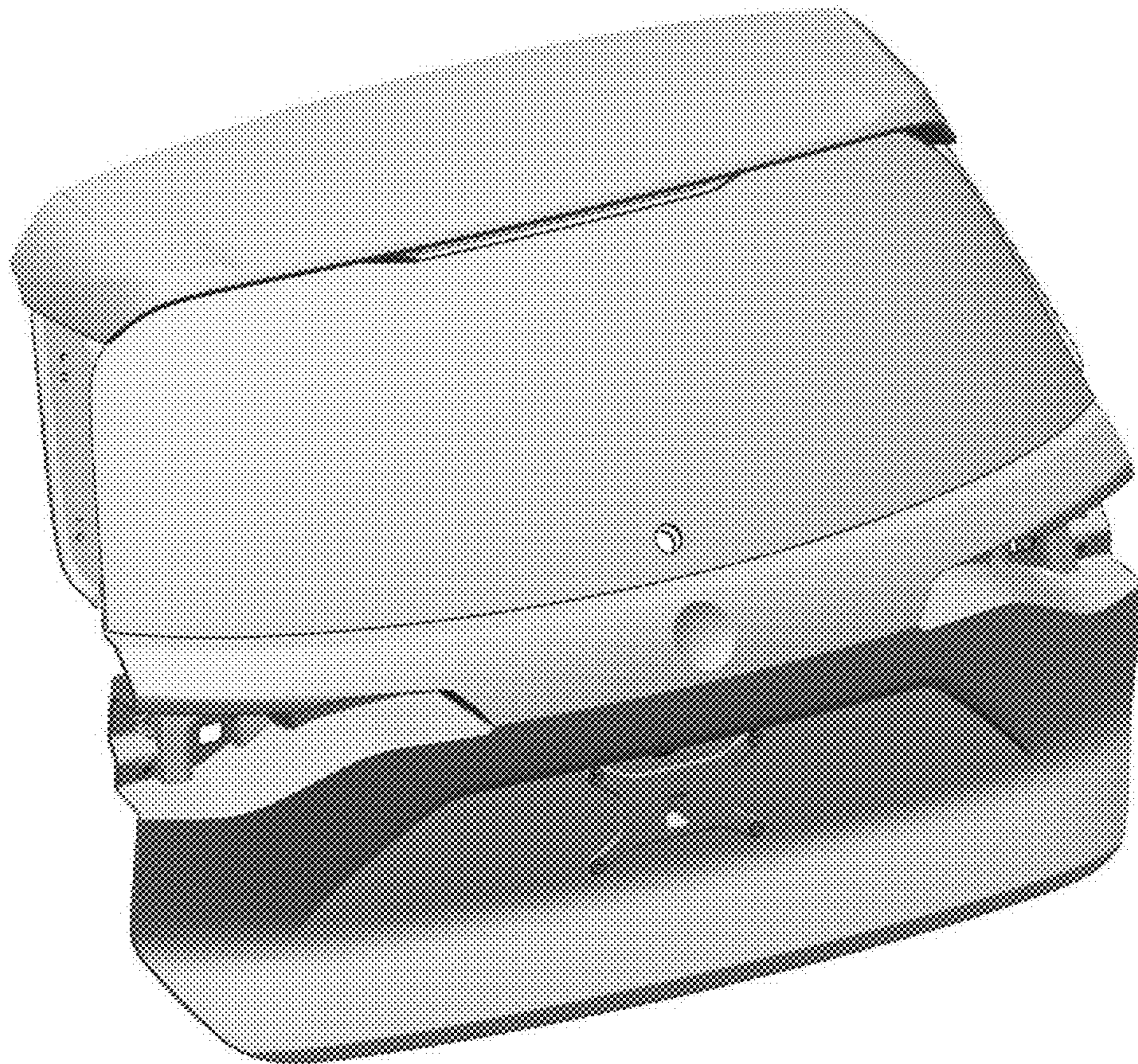


Fig. 7