



US00D882477S

(12) **United States Design Patent**  
**Roo-Clefas et al.**

(10) **Patent No.:** **US D882,477 S**  
(45) **Date of Patent:** **\*\* Apr. 28, 2020**

(54) **DOOR INNER PANEL**  
(71) Applicant: **Byton Limited**, Hong Kong (HK)  
(72) Inventors: **Felipe Roo-Clefas**, Munich (DE);  
**Sebastian Toddenroth**, Munich (DE);  
**Benoit Jacob**, Munich (DE)

D784,882 S \* 4/2017 Lee ..... D12/195  
D784,883 S \* 4/2017 Lee ..... D12/195  
D801,899 S \* 11/2017 Watkin ..... D12/195  
D816,571 S \* 5/2018 Wiedeman ..... D12/195  
D816,572 S \* 5/2018 Ma ..... D12/195  
D816,573 S \* 5/2018 Ma ..... D12/195  
D829,142 S \* 9/2018 Sheffield ..... D12/195  
D831,552 S \* 10/2018 Watkin ..... D12/195

(\*\*) Term: **15 Years**

\* cited by examiner

(21) Appl. No.: **29/639,445**

*Primary Examiner* — Katrina A Betton

(22) Filed: **Mar. 6, 2018**

(74) *Attorney, Agent, or Firm* — Womble Bond Dickinson  
(US) LLP

(30) **Foreign Application Priority Data**

(57) **CLAIM**

Sep. 6, 2017 (EM) ..... 004244820-0008

The ornamental design for a door inner panel, as shown and described.

(51) **LOC (12) Cl.** ..... **12-08**

(52) **U.S. Cl.**  
USPC ..... **D12/195**

**DESCRIPTION**

(58) **Field of Classification Search**  
CPC ..... B60J 5/04  
See application file for complete search history.

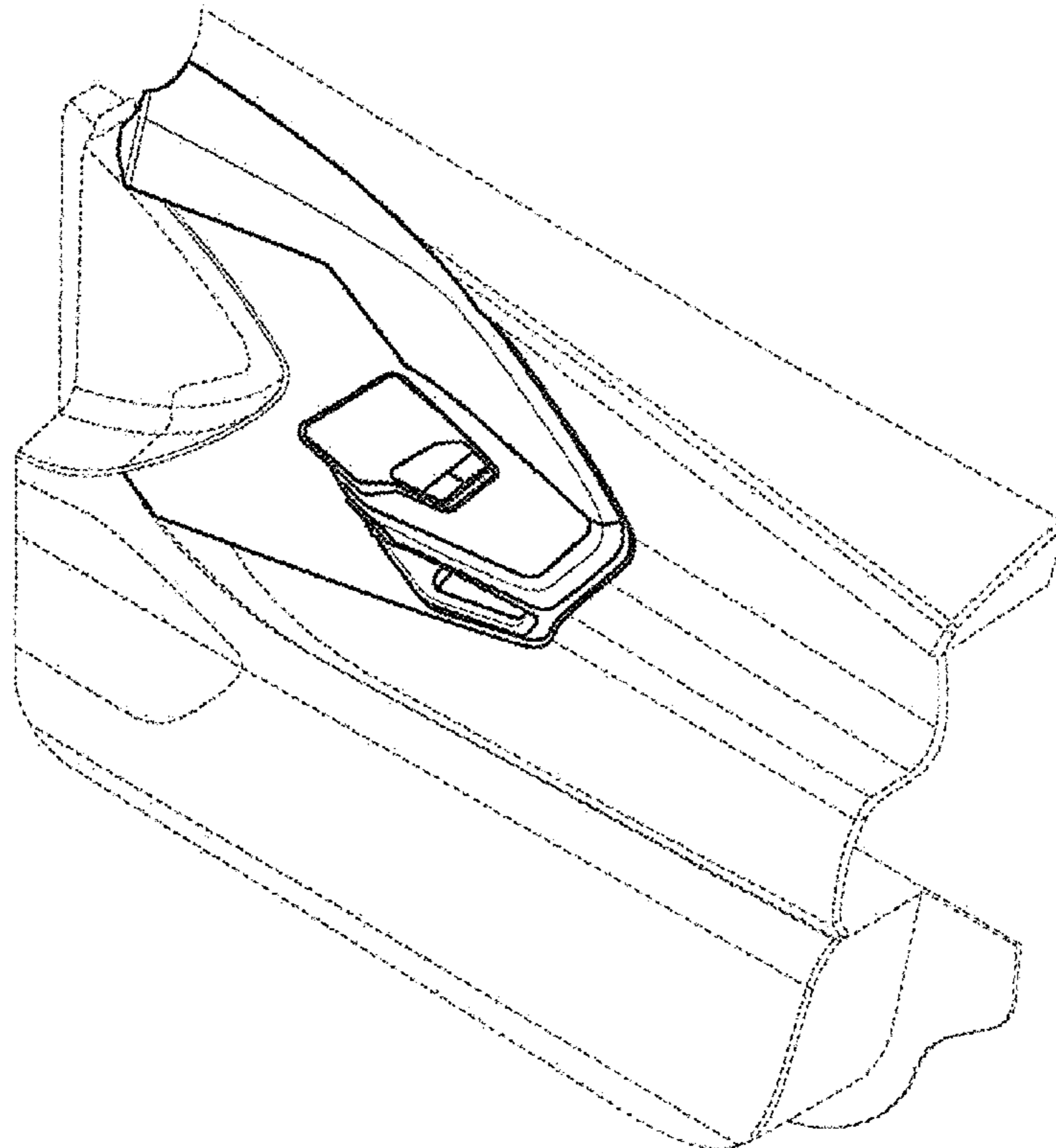
FIG. 1 is a perspective view of door inner panel, showing the new design;  
FIG. 2 is a front view thereof; and,  
FIG. 3 is a top view thereof.  
The broken lines show environmental structure and portions of the article, and the broken lines form no part of the claimed design.

(56) **References Cited**

U.S. PATENT DOCUMENTS

D743,312 S \* 11/2015 Iwauchi ..... D12/195  
D756,873 S \* 5/2016 Donckerwolke ..... D12/195

**1 Claim, 3 Drawing Sheets**



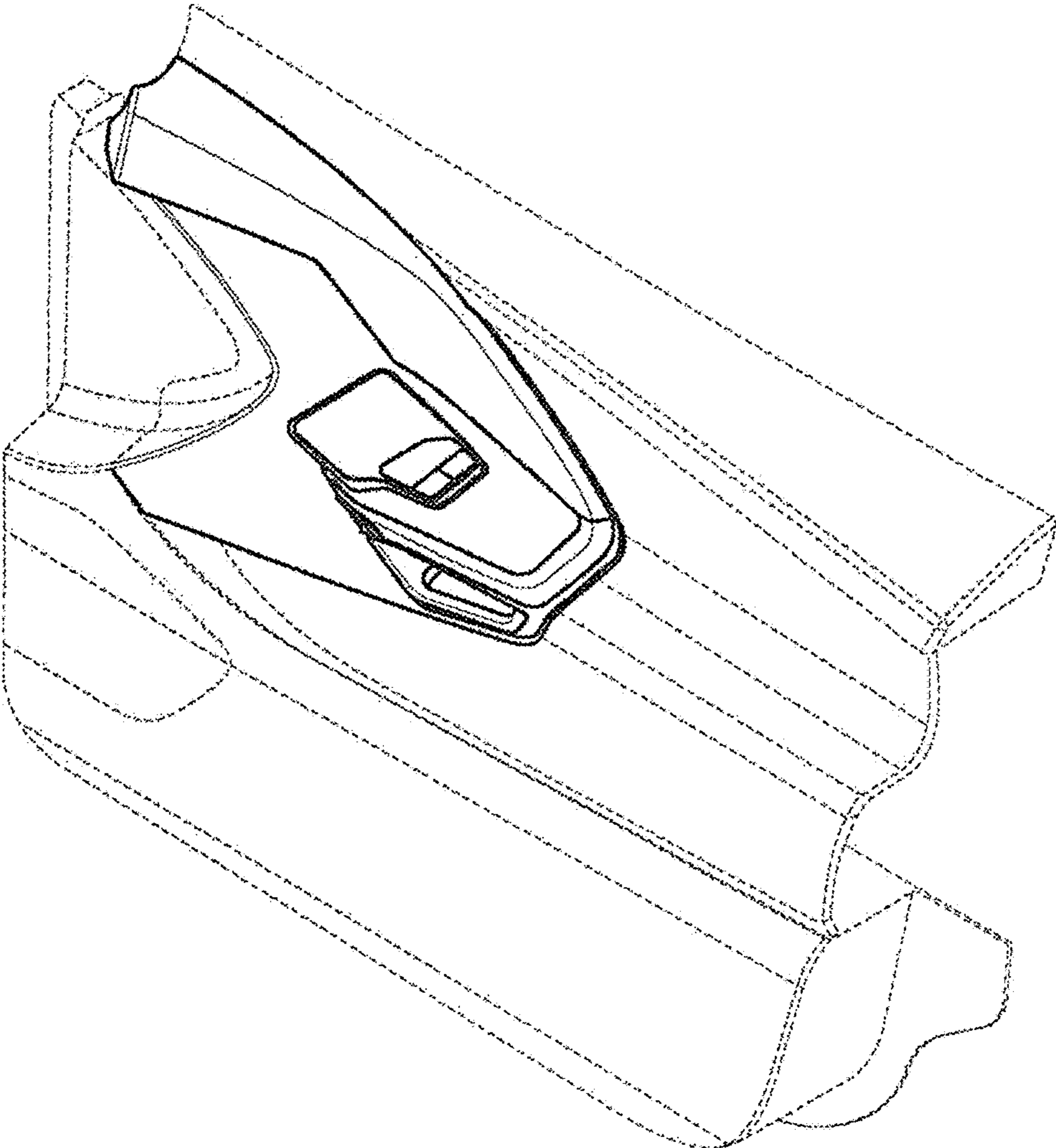


FIG. 1

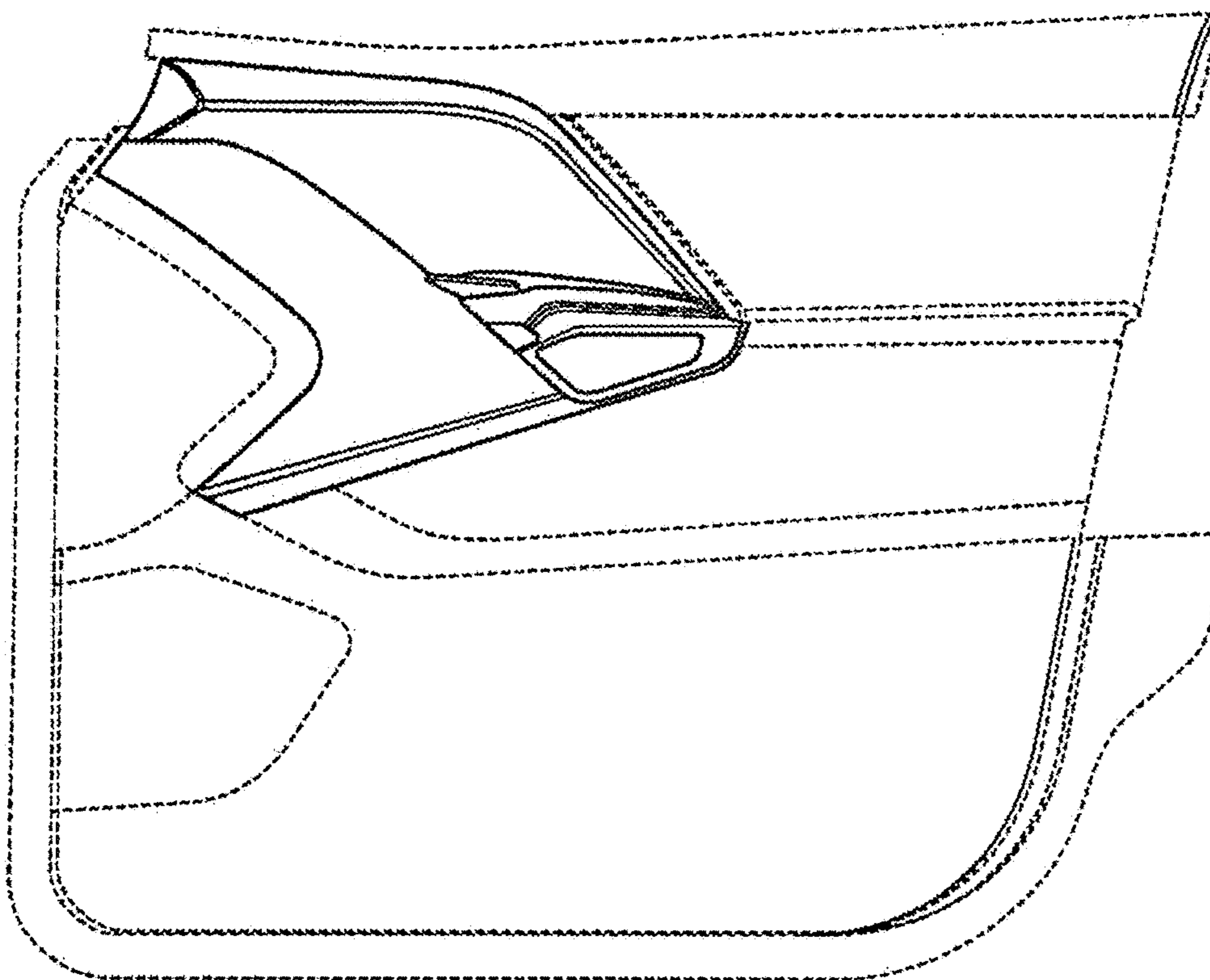


FIG. 2

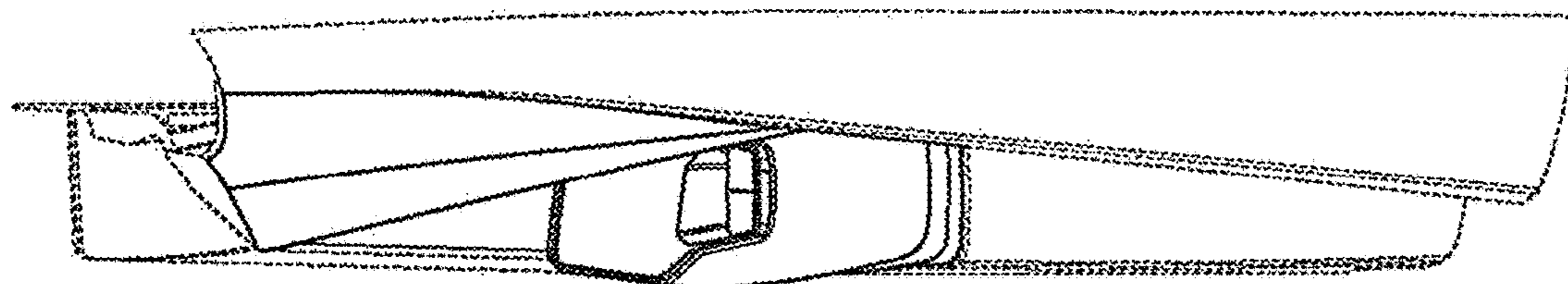


FIG. 3