



US00D882476S

(12) **United States Design Patent**
Žagar et al.

(10) **Patent No.:** **US D882,476 S**

(45) **Date of Patent:** **** Apr. 28, 2020**

(54) **TAILPIPE**

(71) Applicant: **Igor Akrapovič**, Ljubljana (SI)

(72) Inventors: **Luka Žagar**, Ljubljana (SI); **Jure Majc**, Maribor (SI); **Boštjan Veber**, Polzela (SI); **Igor Akrapovič**, Ljubljana (SI); **Ermin Kosovel**, Zgornje Gorje (SI); **Uros Javh**, Ljubljana (SI)

(**) Term: **15 Years**

(21) Appl. No.: **35/506,531**

(22) Filed: **Aug. 30, 2018**

(80) **Hague Agreement Data**

Int. Filing Date: **Aug. 30, 2018**

Int. Reg. No.: **DM/200459**

Int. Reg. Date: **Aug. 30, 2018**

Int. Reg. Pub. Date: **Apr. 5, 2019**

(30) **Foreign Application Priority Data**

Mar. 22, 2018 (EM) 004953503-000

(51) **LOC (12) Cl.** **12-16**

(52) **U.S. Cl.**
USPC **D12/194**

(58) **Field of Classification Search**
USPC D12/194; D15/5
CPC F01N 13/082; F01N 13/1805; F01N 13/20
See application file for complete search history.

(56) **References Cited**

U.S. PATENT DOCUMENTS

D423,436 S * 4/2000 Larson D12/194
D473,177 S * 4/2003 Murkett D12/194
D488,755 S * 4/2004 Kulla D12/194
D534,848 S * 1/2007 Murkett D12/194

D539,716 S * 4/2007 Kulla D12/194
D559,753 S * 1/2008 Pfeiffer D12/194
D574,302 S * 8/2008 Schubert D12/162
D574,309 S * 8/2008 Unfried D12/194
D695,175 S * 12/2013 Hamilton D12/194
D737,745 S * 9/2015 Kamiura D12/194
D787,400 S * 5/2017 Wolff D12/194
D808,319 S * 1/2018 Curic D12/194

* cited by examiner

Primary Examiner — Michael A. Pratt

(74) *Attorney, Agent, or Firm* — Olson & Cepuritis, Ltd.;
William P. Oberhardt; Anita M. Cepuritis

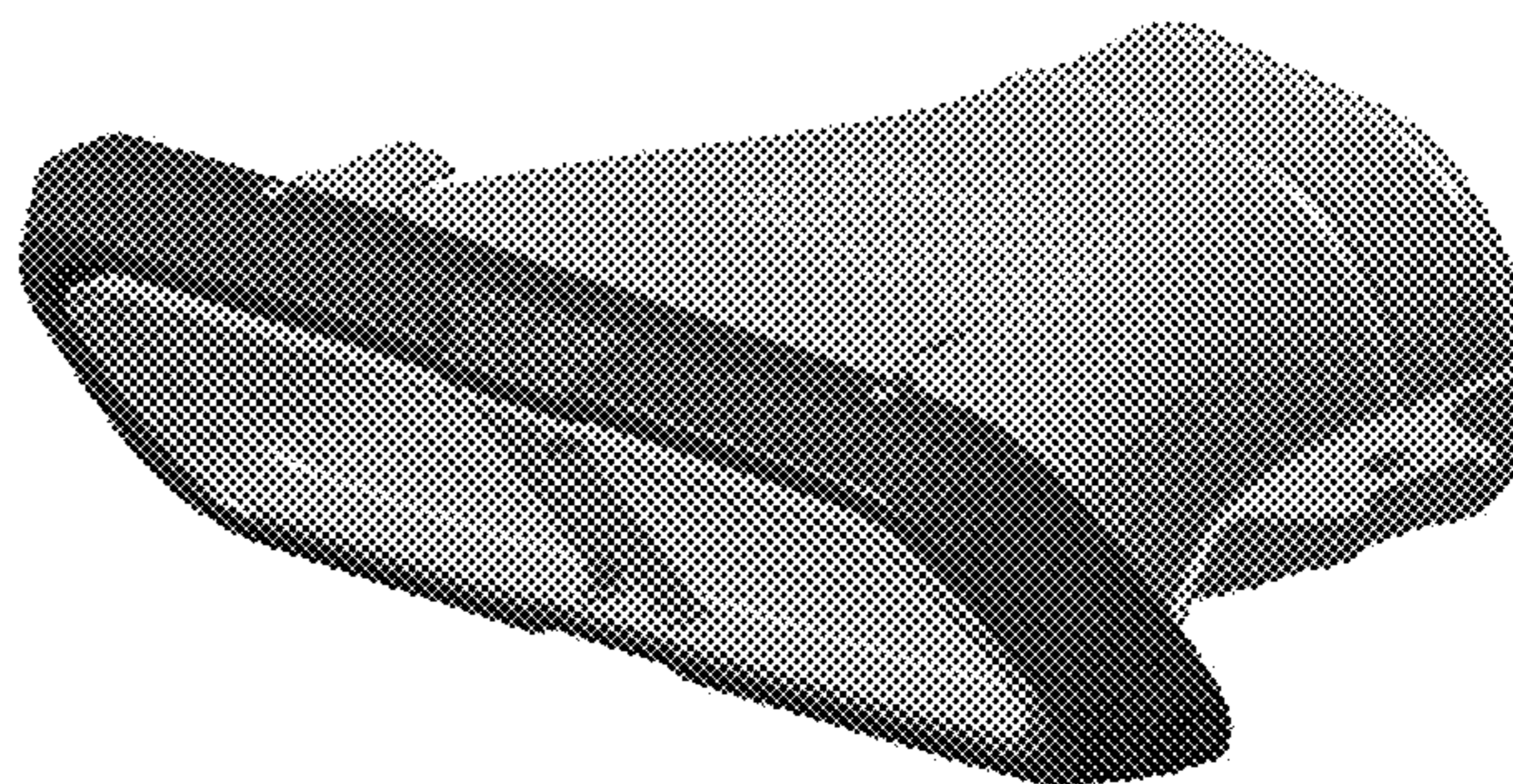
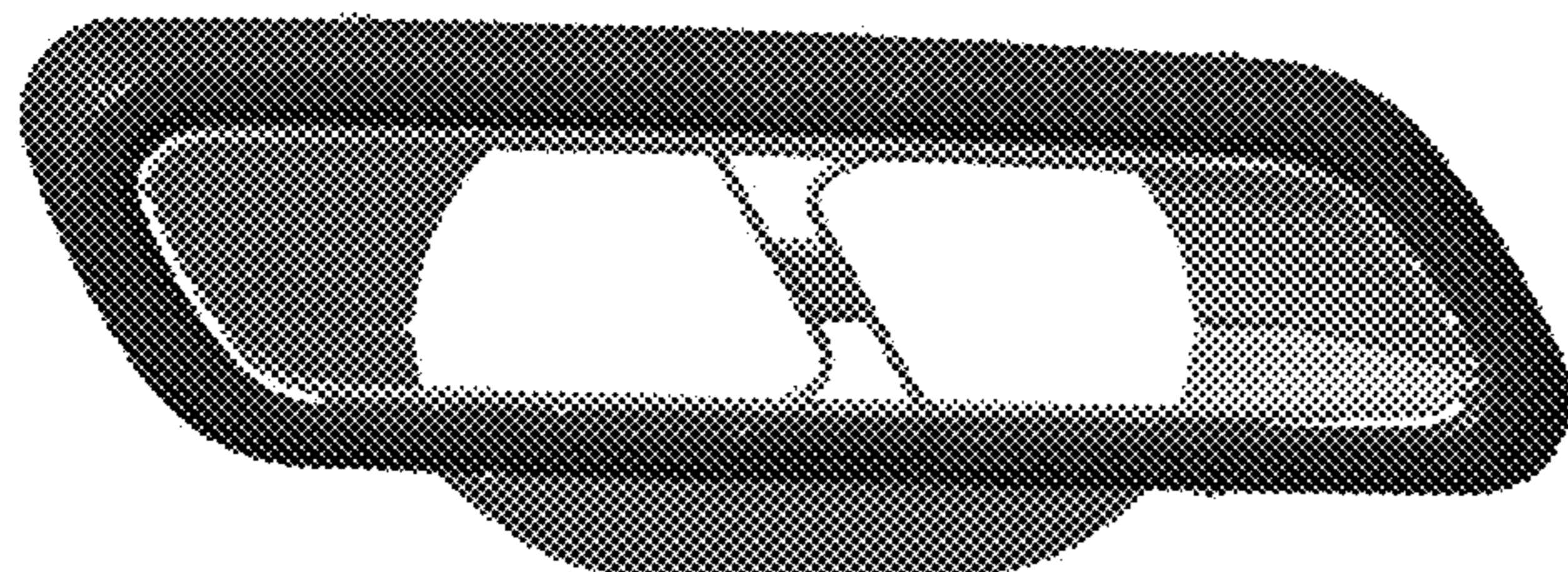
(57) **CLAIM**

The ornamental design for a tailpipe, as shown and described.

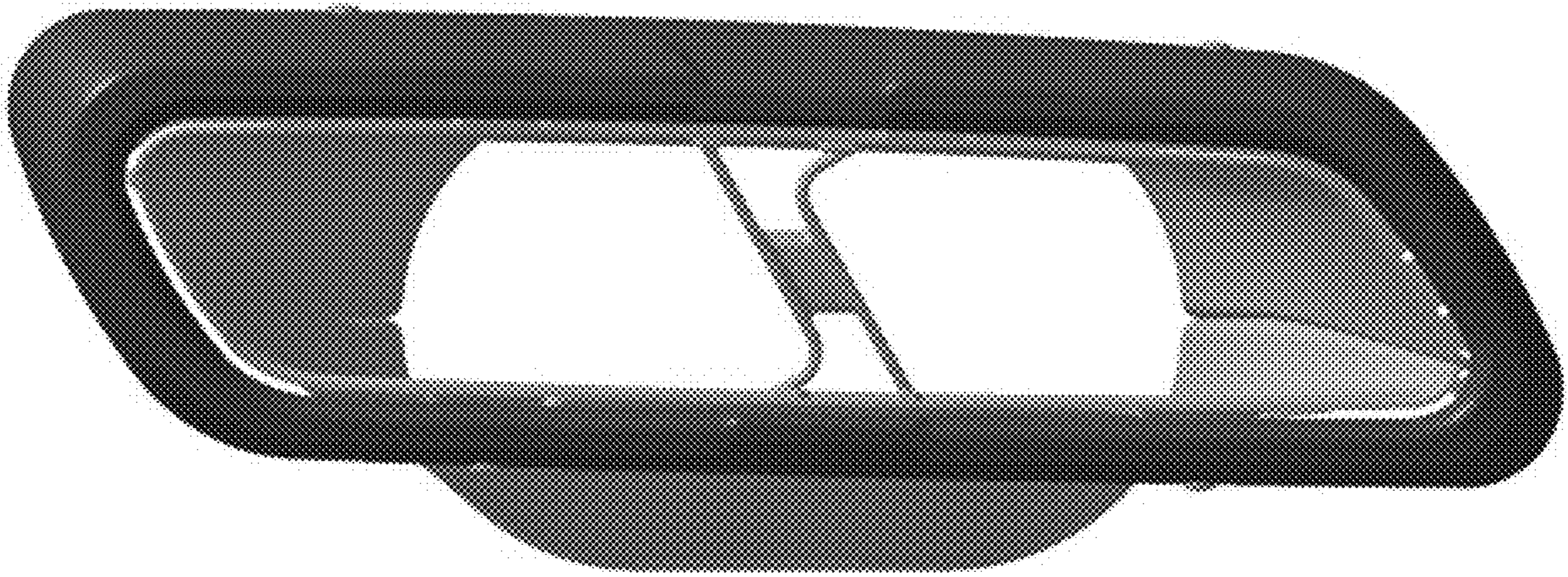
DESCRIPTION

- 1. Tailpipe
- 1.1: Front
- 1.2: Perspective
- 1.3: Side
- 1.4: Rear
- 1.5: Side
- 1.6: Top
- 1.7: Perspective
- 1.8: Perspective
- 1.9: Bottom

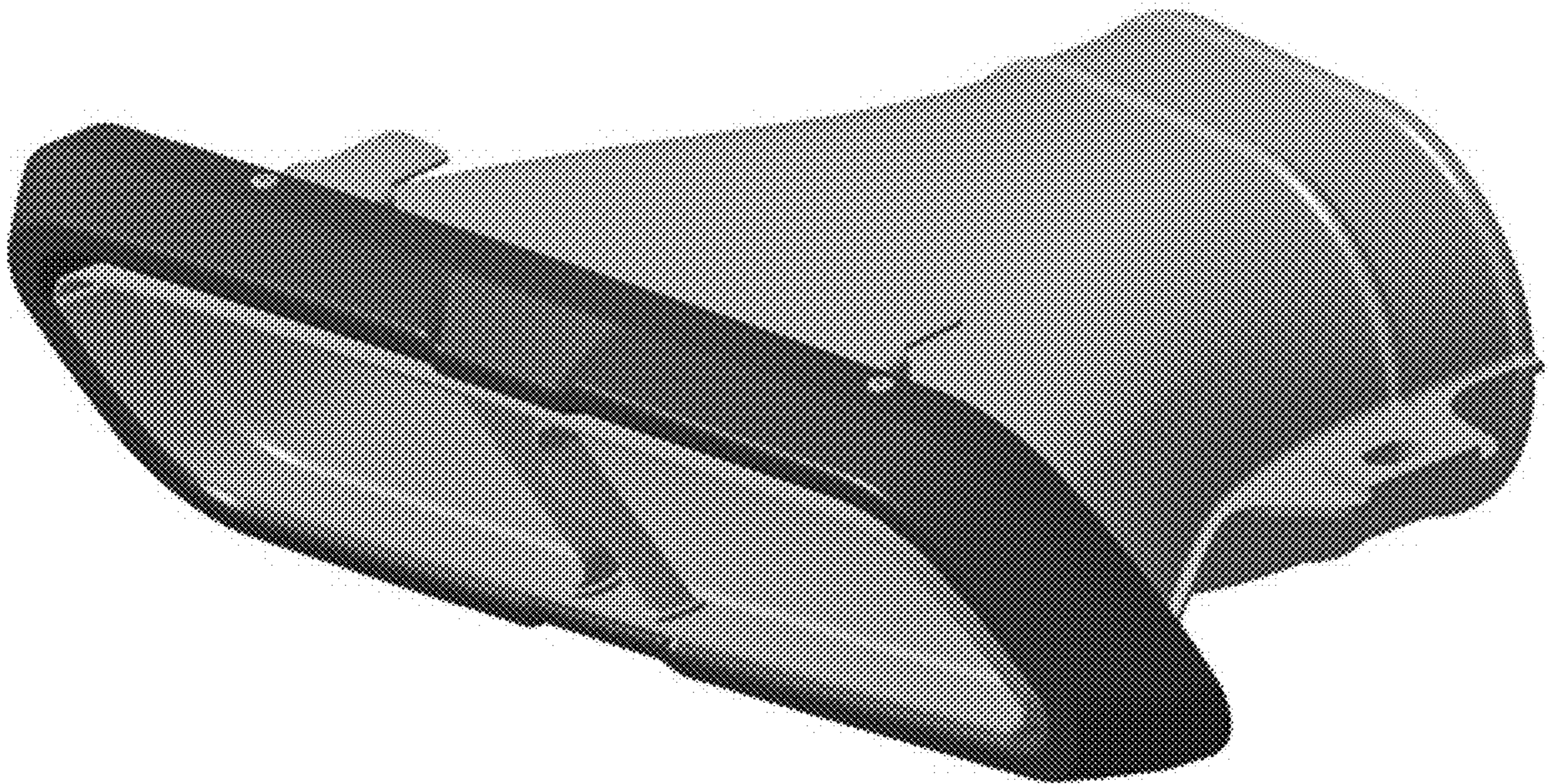
1 Claim, 9 Drawing Sheets



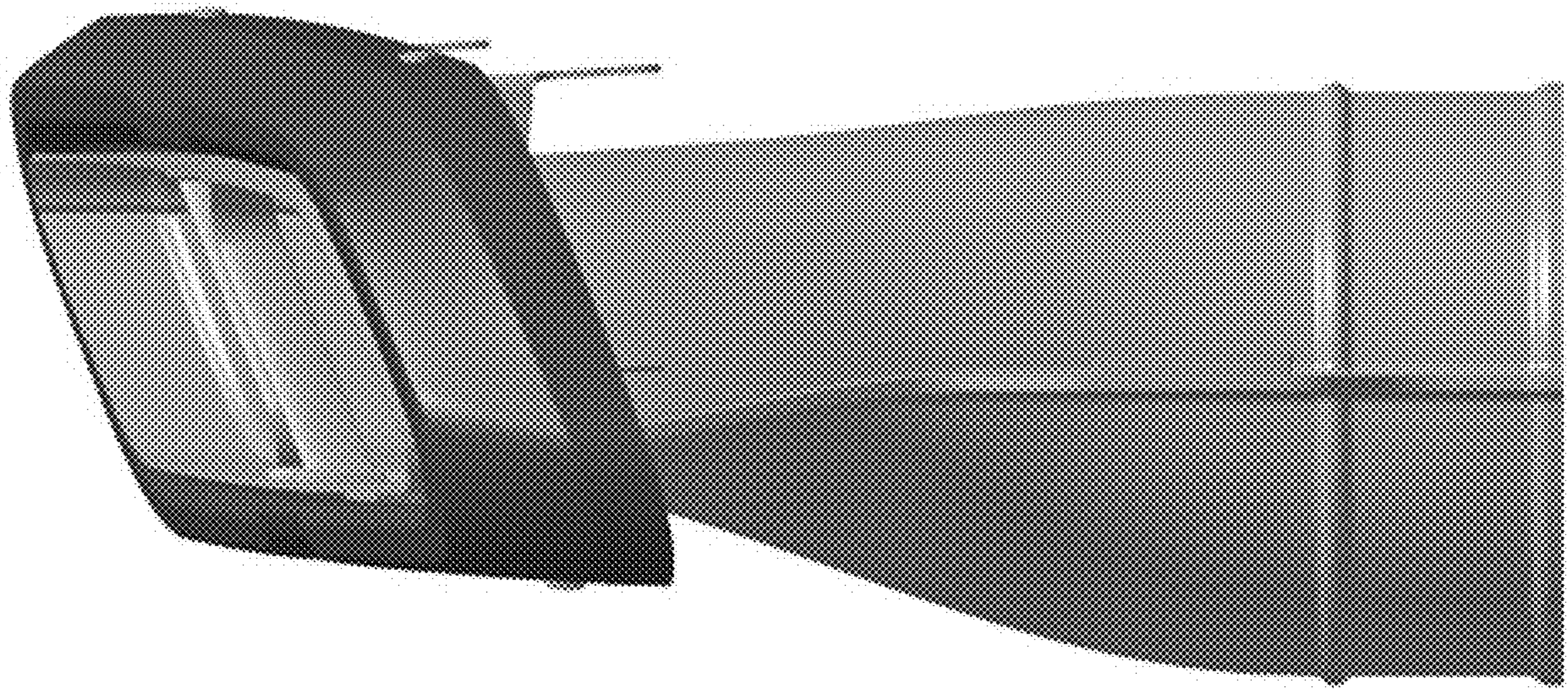
1.1



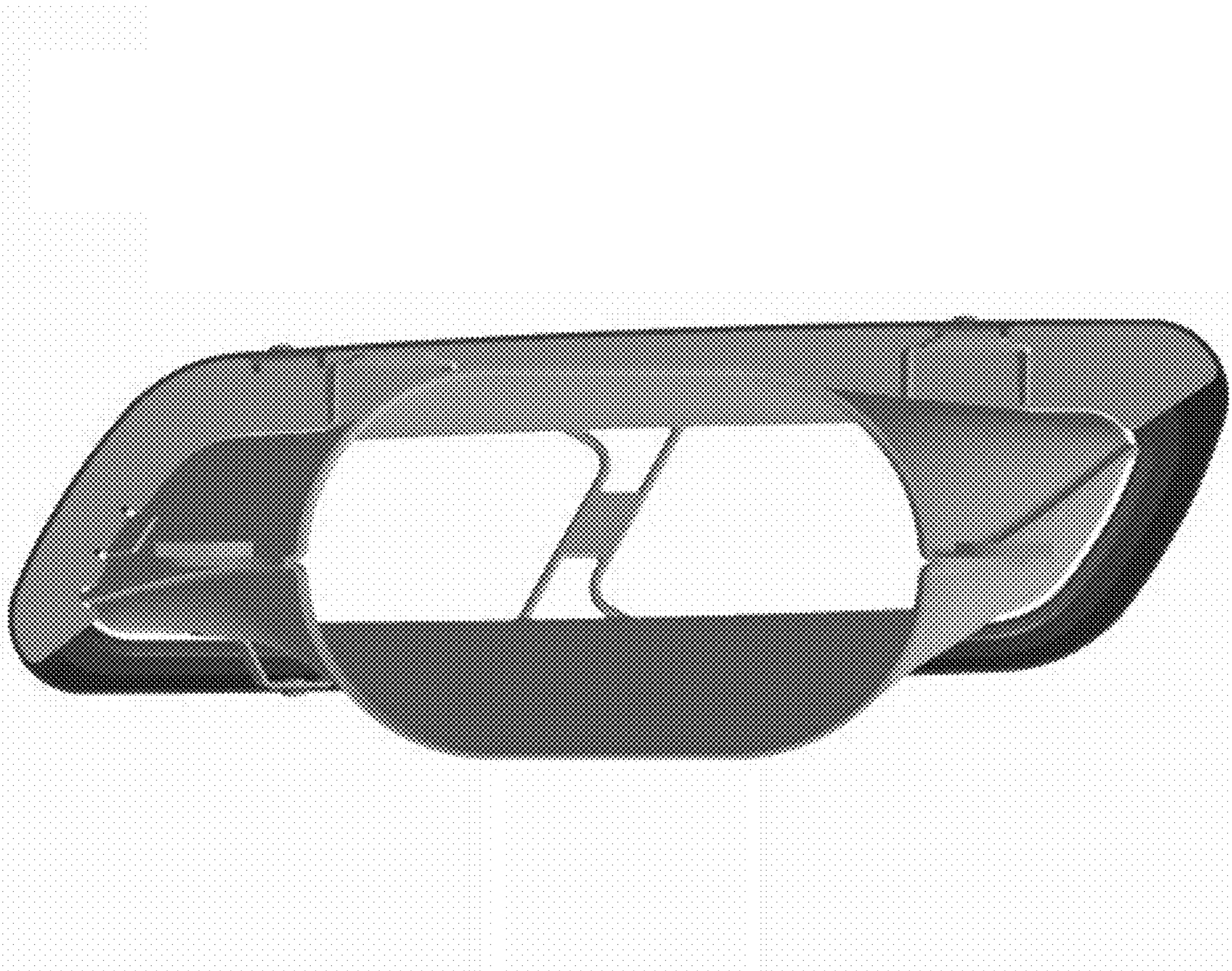
1.2



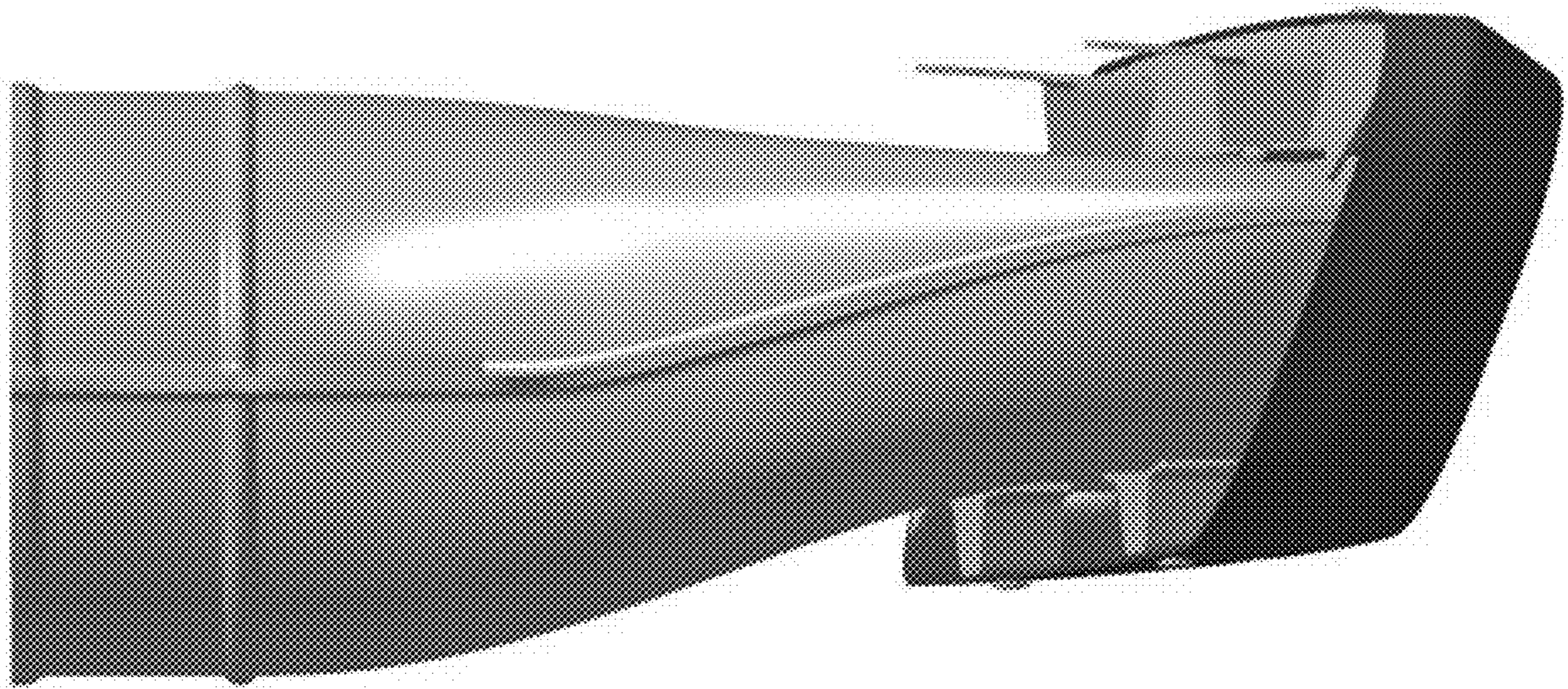
1.3



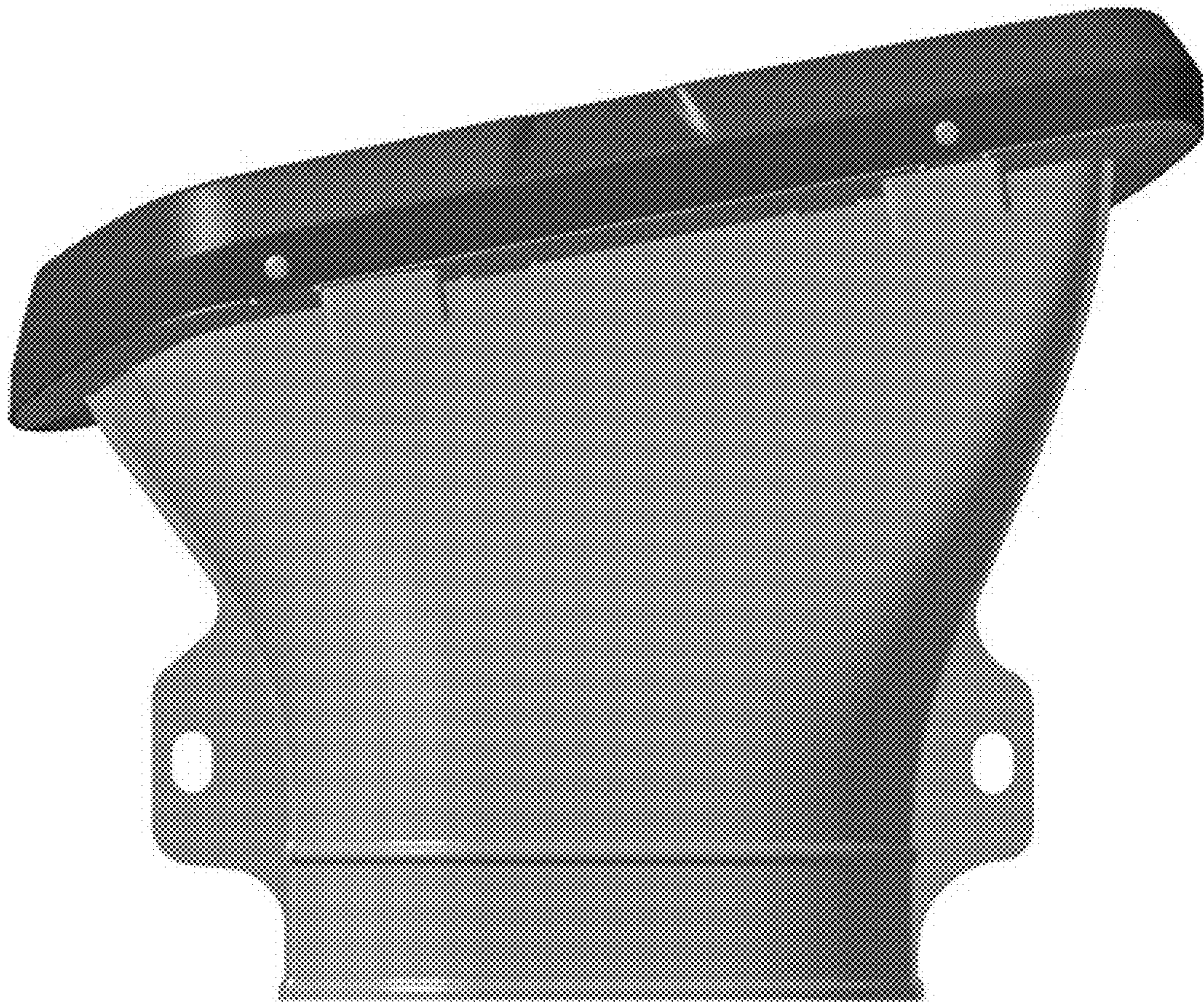
1.4



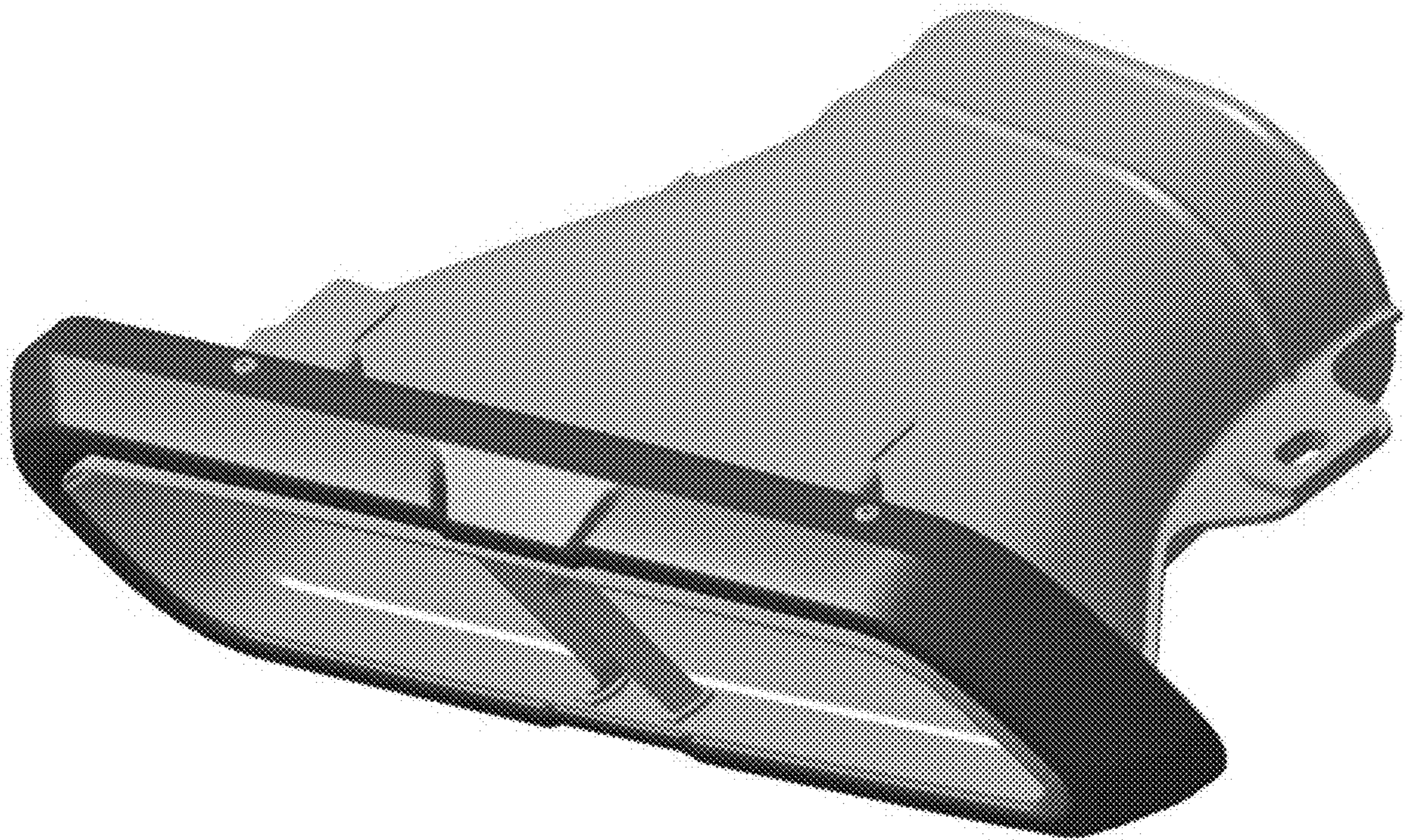
1.5



1.6



1.7



1.8



1.9

