



US00D882475S

(12) **United States Design Patent**  
**Žagar et al.**

(10) **Patent No.:** **US D882,475 S**

(45) **Date of Patent:** **\*\* Apr. 28, 2020**

(54) **TAILPIPE**

(71) Applicant: **Igor Akrapovic**, Ljubljana (SI)

(72) Inventors: **Luka Žagar**, Ljubljana (SI); **Ermin Kosovel**, Zgornje (SI); **Jure Majc**, Maribor (SI); **Boštjan Veber**, Polzela (SI); **Uroš Javh**, Ljubljana (SI); **Igor Akrapovic**, Ljubljana (SI)

(\*\*) Term: **15 Years**

(21) Appl. No.: **35/506,492**

(22) Filed: **Aug. 30, 2018**

(80) **Hague Agreement Data**

Int. Filing Date: **Aug. 30, 2018**

Int. Reg. No.: **DM/200392**

Int. Reg. Date: **Aug. 30, 2018**

Int. Reg. Pub. Date: **Mar. 29, 2019**

(30) **Foreign Application Priority Data**

Mar. 22, 2018 (EM) ..... RCD004955011-0001

(51) **LOC (12) Cl.** ..... **12-16**

(52) **U.S. Cl.**  
USPC ..... **D12/194**

(58) **Field of Classification Search**  
USPC ..... D12/194; D15/5  
CPC ..... F01N 13/082; F01N 13/1805; F01N 13/20  
See application file for complete search history.

(56) **References Cited**

**U.S. PATENT DOCUMENTS**

D423,436 S \* 4/2000 Larson ..... D12/194  
D473,177 S \* 4/2003 Murkett ..... D12/194  
D488,755 S \* 4/2004 Kulla ..... D12/194  
D534,848 S \* 1/2007 Murkett ..... D12/194

D539,716 S \* 4/2007 Kulla ..... D12/194  
D559,753 S \* 1/2008 Pfeiffer ..... D12/194  
D574,302 S \* 8/2008 Schubert ..... D12/162  
D574,309 S \* 8/2008 Unfried ..... D12/194  
D695,175 S \* 12/2013 Hamilton ..... D12/194  
D737,745 S \* 9/2015 Kamiura ..... D12/194  
D787,400 S \* 5/2017 Wolff ..... D12/194  
D808,319 S \* 1/2018 Curic ..... D12/194

\* cited by examiner

*Primary Examiner* — Michael A. Pratt

(74) *Attorney, Agent, or Firm* — Olson & Cepuritis, Ltd.;  
William P. Oberhardt; Anita M. Cepuritis

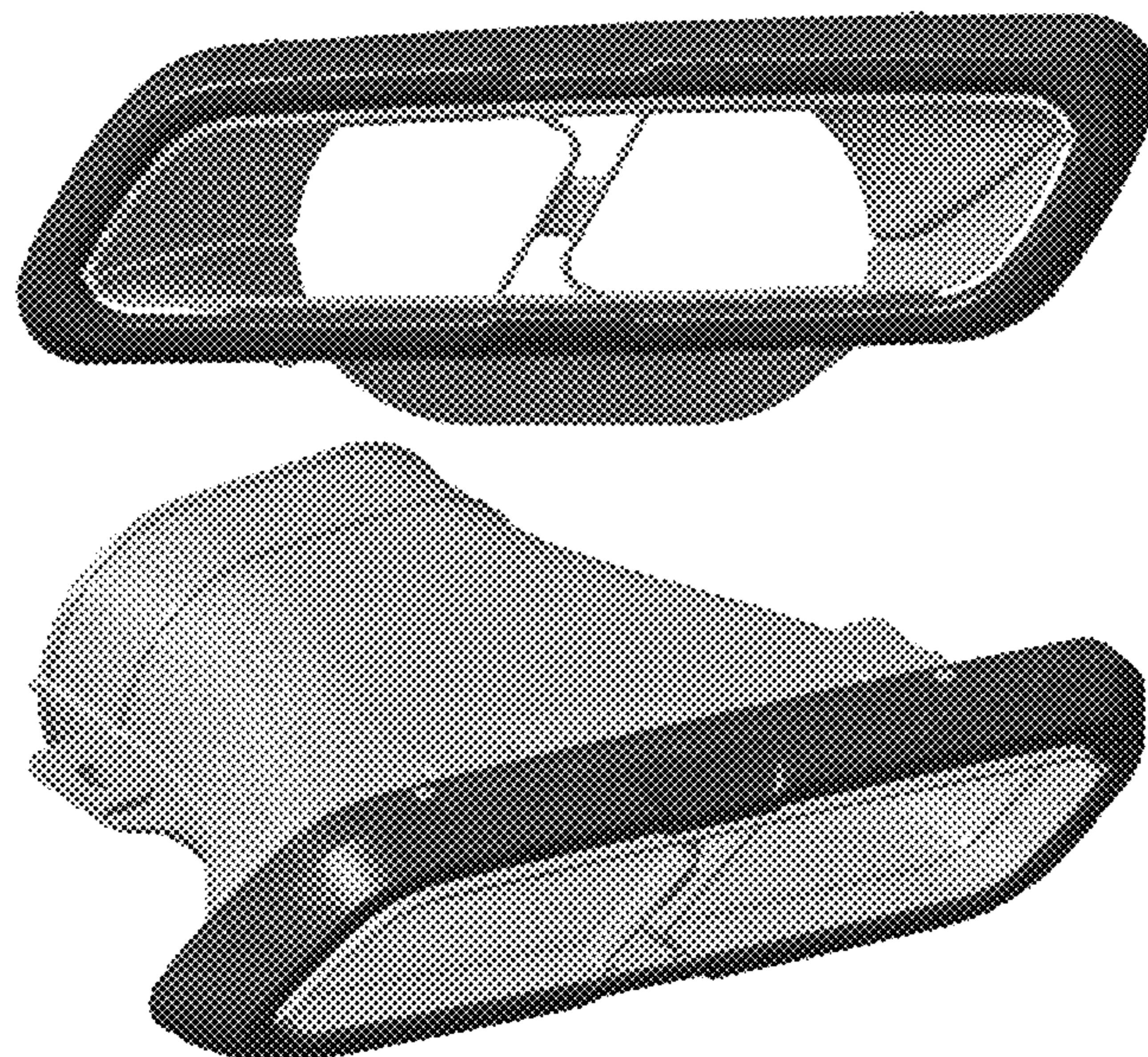
(57) **CLAIM**

The ornamental design for a tailpipe, as shown and described.

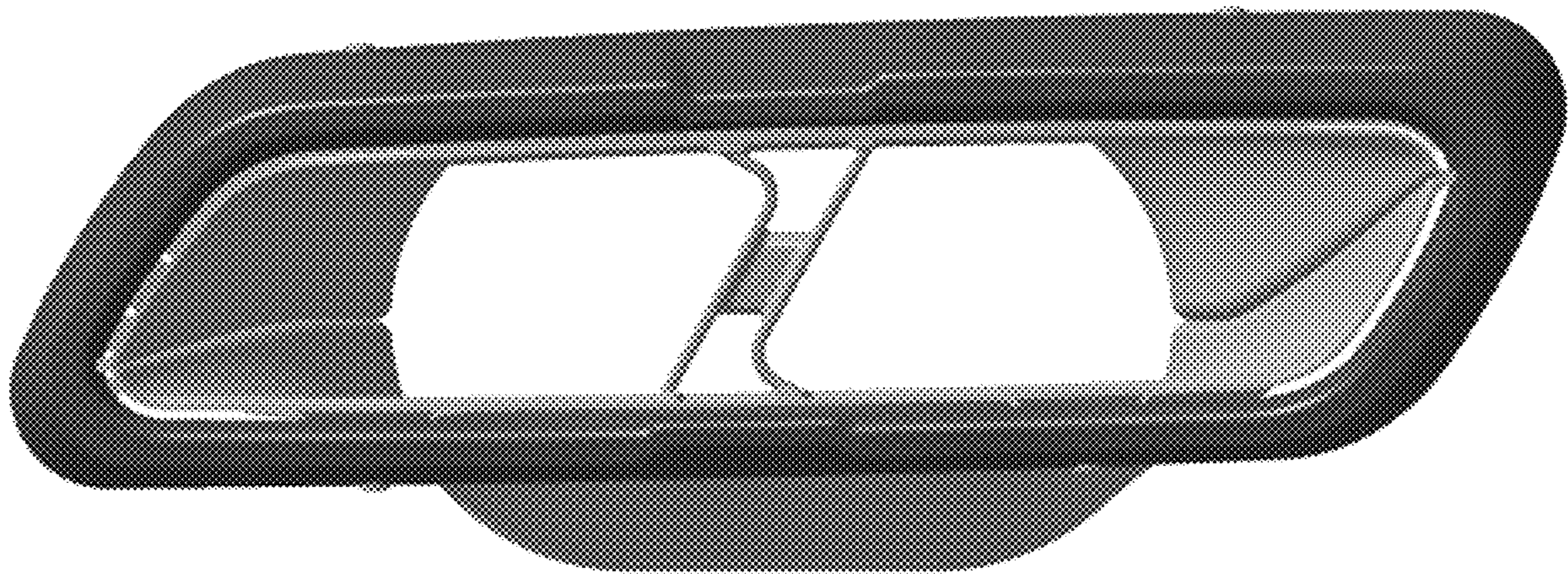
**DESCRIPTION**

- 1. Tailpipe
- 1.1: Front
- 1.2: Perspective
- 1.3: Side
- 1.4: Rear
- 1.5: Side
- 1.6: Top
- 1.7: Bottom
- 1.8: Perspective
- 1.9: Perspective

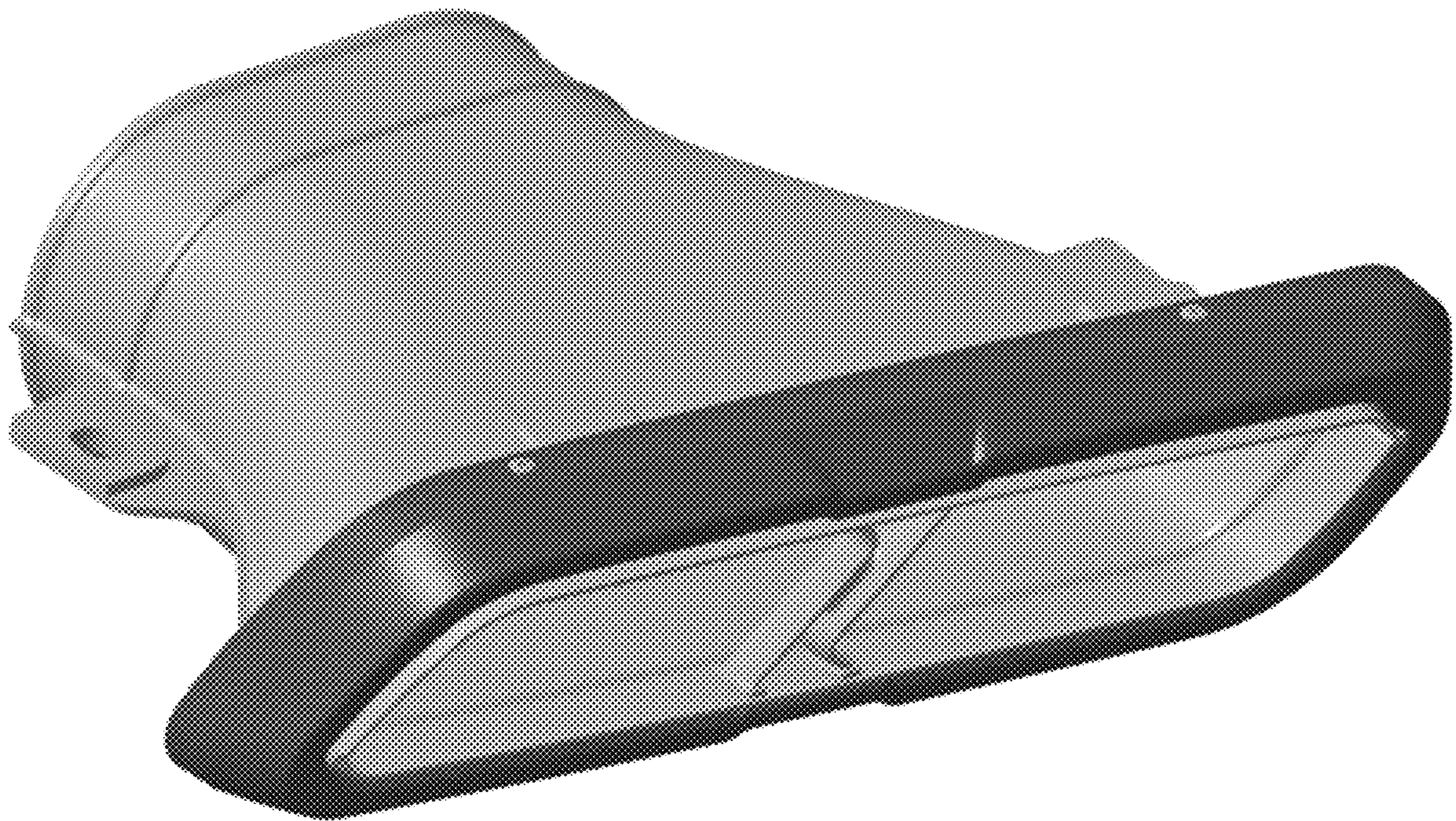
**1 Claim, 9 Drawing Sheets**



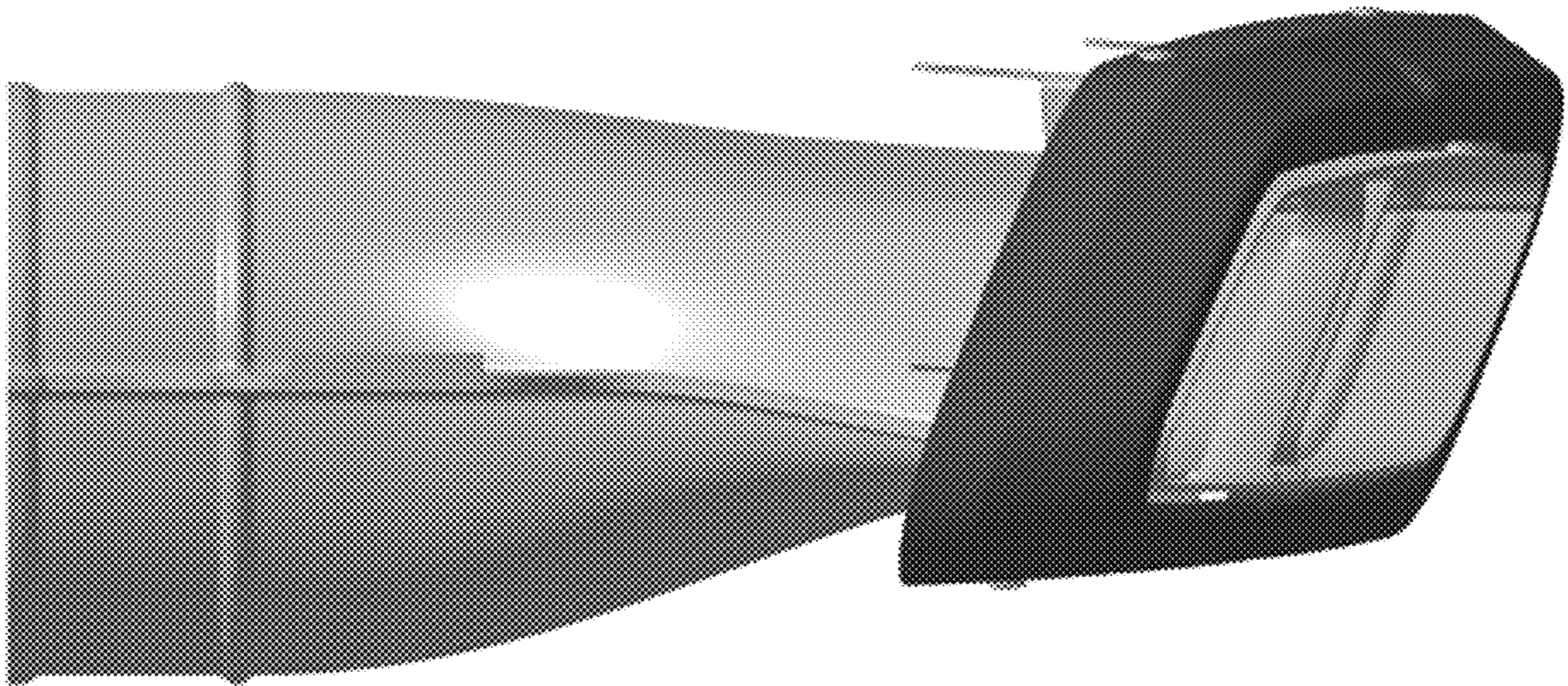
1.1



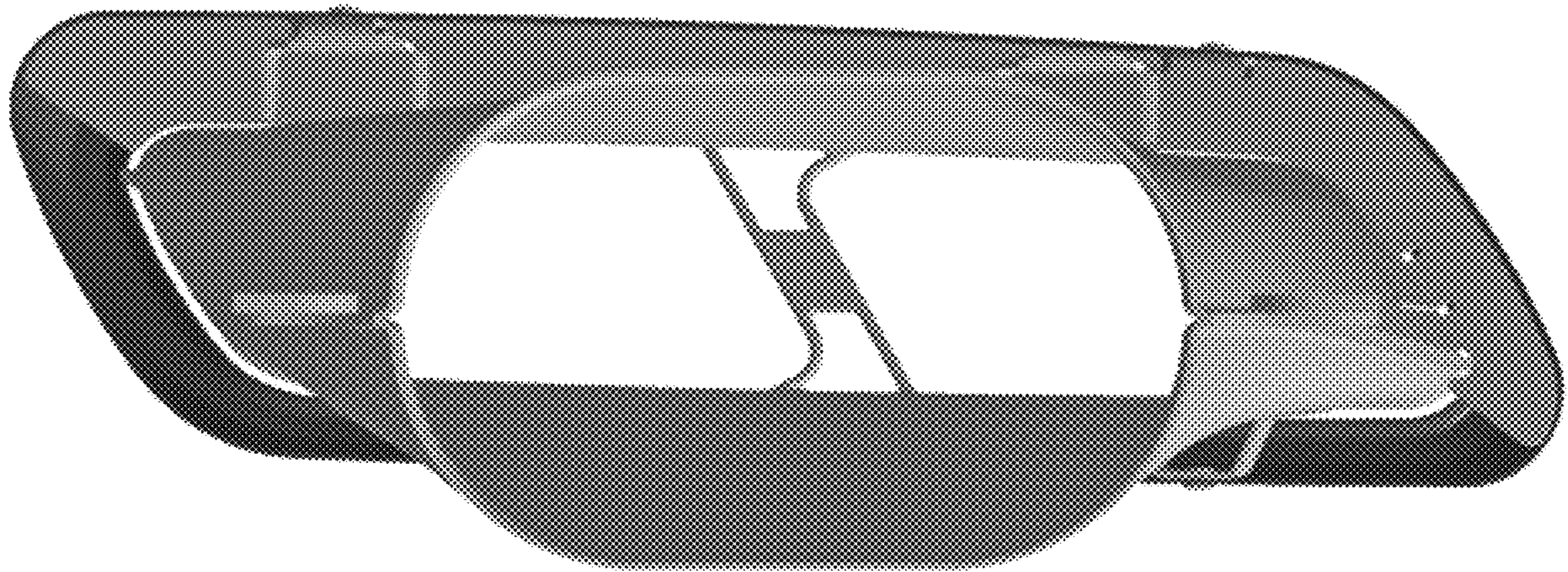
1.2



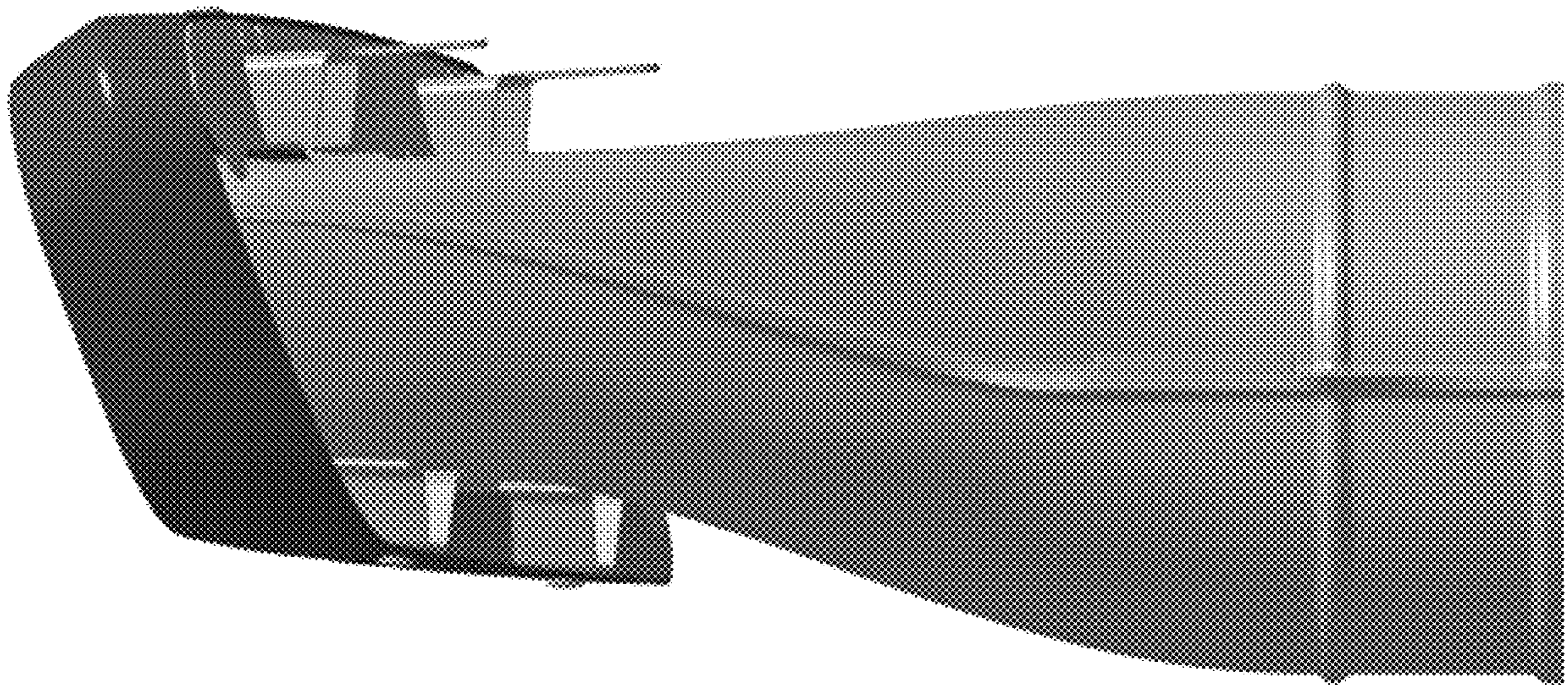
1.3



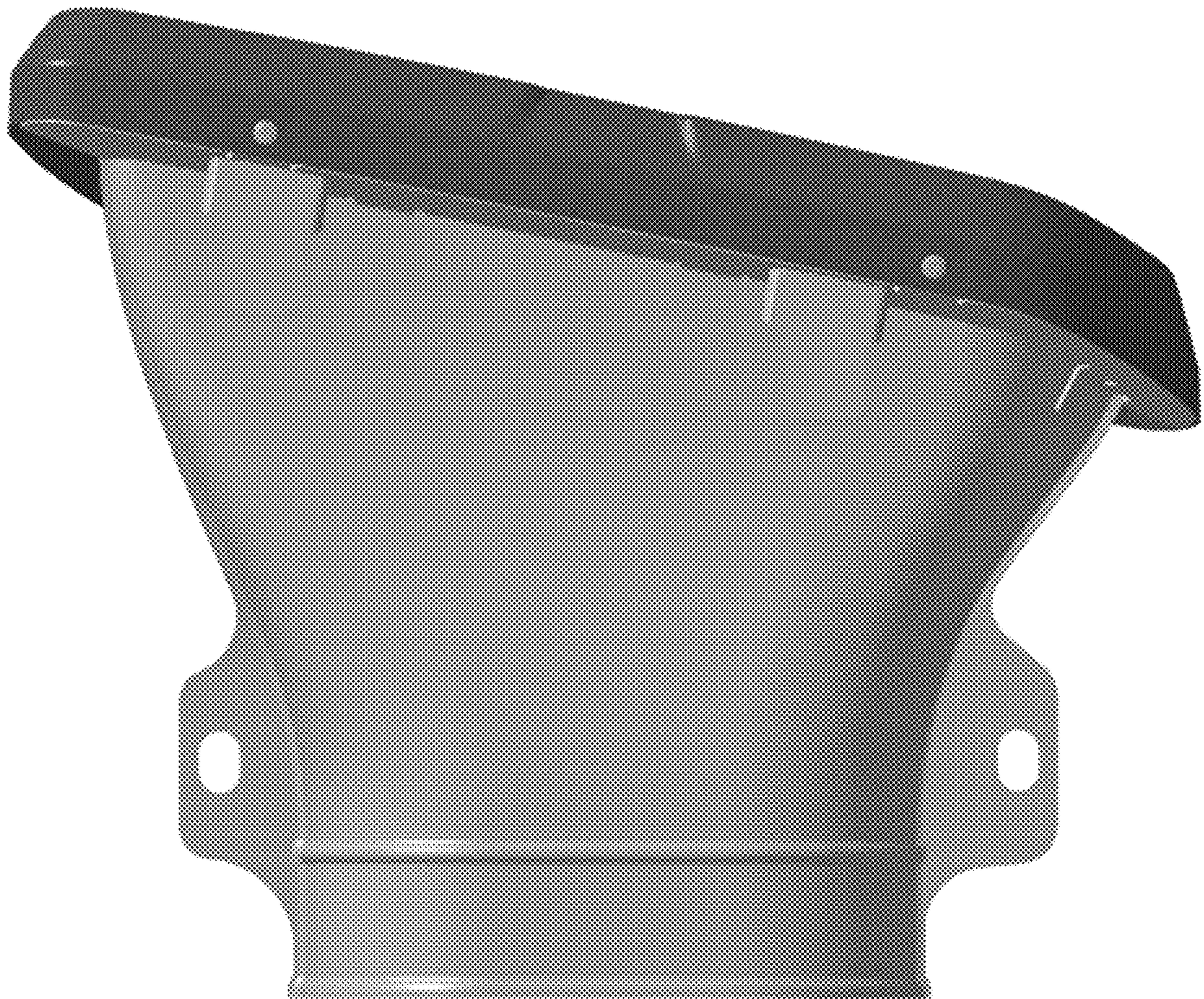
1.4



1.5



1.6

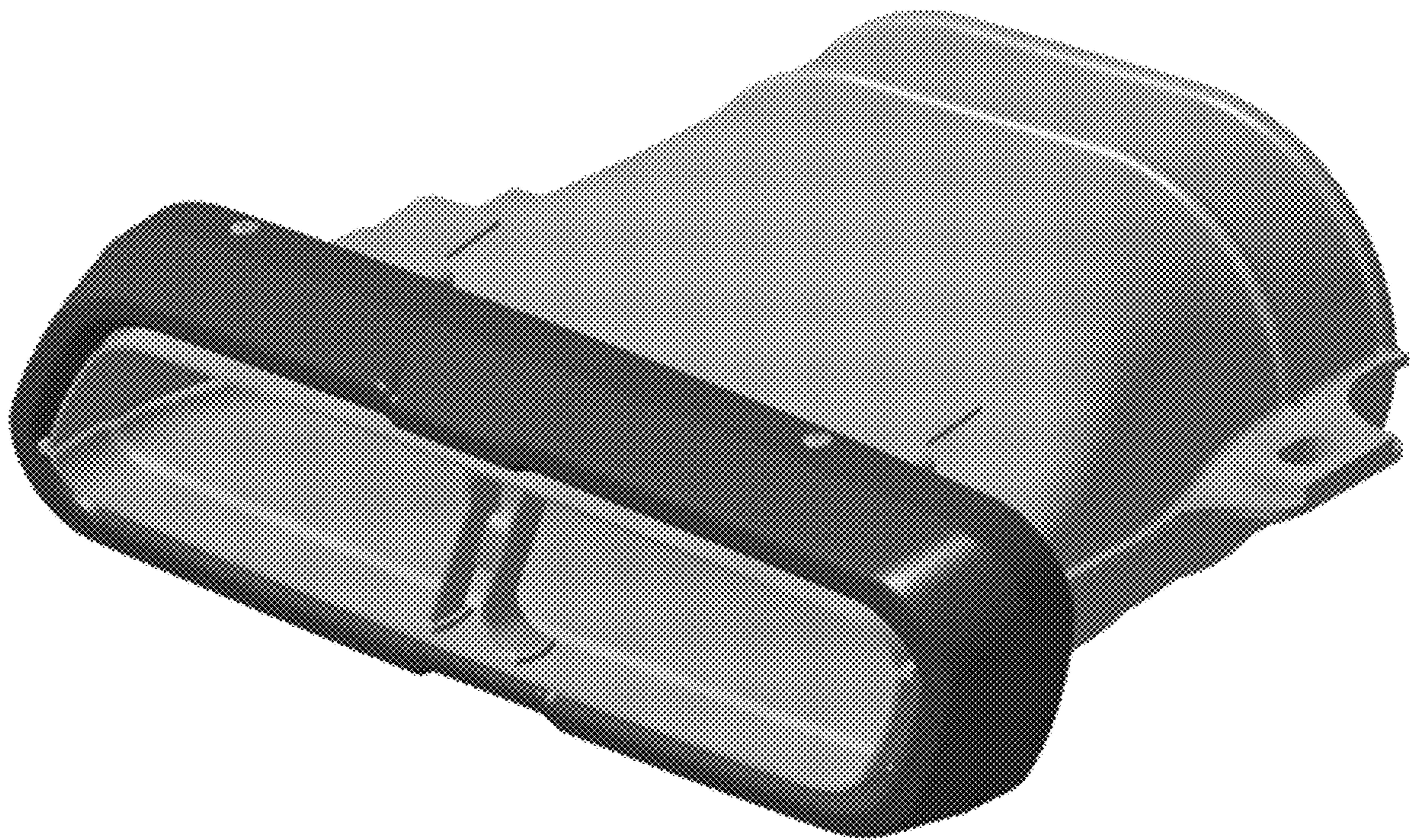


1.7





1.8



1.9

