



US00D882470S

(12) **United States Design Patent** (10) **Patent No.:** **US D882,470 S**  
**Lee et al.** (45) **Date of Patent:** **\*\* Apr. 28, 2020**

- (54) **REAR BUMPER FOR AN AUTOMOBILE**
- (71) Applicants: **Chung Woo Lee**, Ypsilanti, MI (US);  
**Ian Richard Cartabiano**, Torrance, CA (US); **Tatsuya Kobayashi**, Kariya (JP)
- (72) Inventors: **Chung Woo Lee**, Ypsilanti, MI (US);  
**Ian Richard Cartabiano**, Torrance, CA (US); **Tatsuya Kobayashi**, Kariya (JP)
- (73) Assignee: **TOYOTA JIDOSHA KABUSHIKI KAISHA** (JP)
- (\*\*) Term: **15 Years**
- (21) Appl. No.: **29/688,237**
- (22) Filed: **Apr. 19, 2019**

**Related U.S. Application Data**

- (62) Division of application No. 29/638,826, filed on Mar. 1, 2018, now Pat. No. Des. 868,648.
- (51) **LOC (12) Cl.** ..... **12-16**
- (52) **U.S. Cl.**  
USPC ..... **D12/169**
- (58) **Field of Classification Search**  
USPC .... D12/169, 164, 196, 171, 163, 86, 90-92,  
D12/181; 293/102, 113, 115, 117, 120,  
293/193.11; 296/180.1, 180.2; 180/68,  
180/1, 68.6  
CPC ..... B60R 19/02; B60R 19/04; B62D 25/08  
See application file for complete search history.

(56) **References Cited**

**U.S. PATENT DOCUMENTS**

- D717,220 S \* 11/2014 Murakawa ..... D12/169
- D762,532 S \* 8/2016 Tsutamori ..... D12/169
- D770,949 S \* 11/2016 Morikawa ..... D12/169
- D778,791 S \* 2/2017 Burki ..... D12/169

- D793,298 S \* 8/2017 Matsumoto ..... D12/169
- D793,922 S \* 8/2017 Katou ..... D12/169
- D824,821 S \* 8/2018 Nakamura ..... D12/169
- D824,822 S \* 8/2018 Nakamura ..... D12/169

**OTHER PUBLICATIONS**

Lexus, Lexus GS (2016), <<https://www.lexus.com/>>, available as early as Feb. 3, 2017.  
 Netcarshow, Mercedes-Benz C-Class (2015), <<https://www.netcarshow.com/mercedes-benz/2015-c-class/>>, available as early as Feb. 3, 2017.  
 Netcarshow, Lexus IS 350 (2017), <<https://www.netcarshow.com/lexus/2017-is/>>, available as early as Feb. 3, 2017.  
 Netcarshow, Mercedes-Benz CLA 200d (2017), <<https://www.netcarshow.com/mercedes-benz/2017-cla/>>, available as early as Feb. 3, 2017.

\* cited by examiner

*Primary Examiner* — Melody N Brown

(74) *Attorney, Agent, or Firm* — Saidman DesignLaw Group, LLC

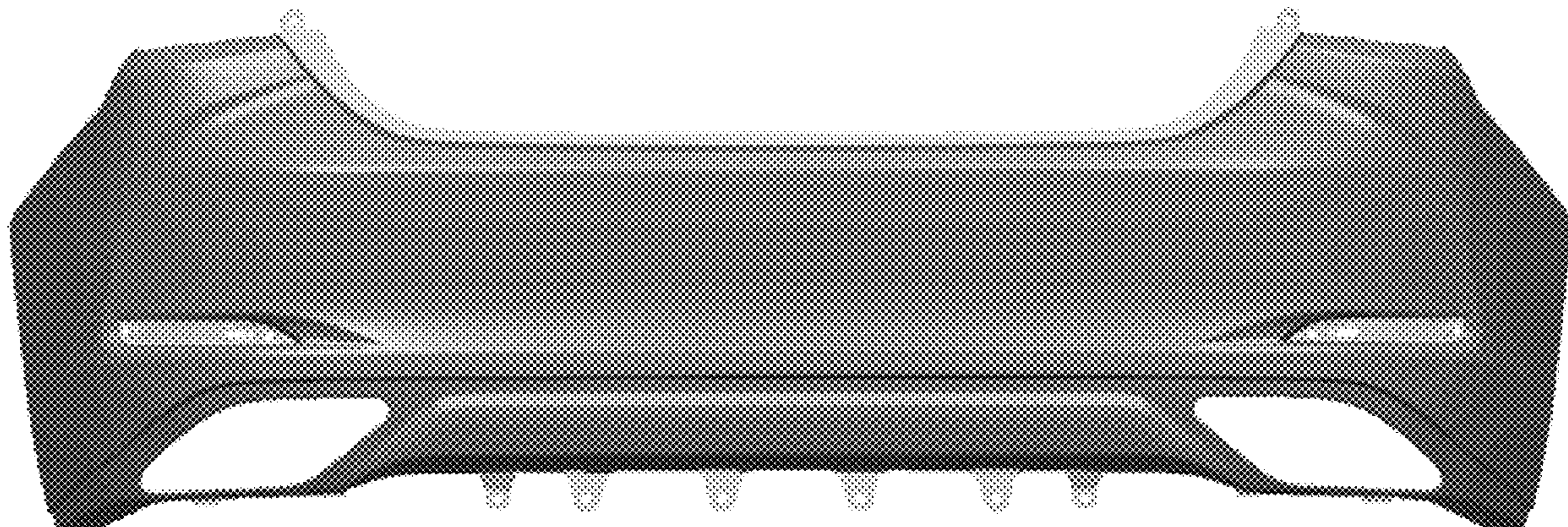
(57) **CLAIM**

The ornamental design for a rear bumper for an automobile, as shown and described.

**DESCRIPTION**

FIG. 1 is a perspective view of a rear bumper for an automobile showing our new design;  
 FIG. 2 is a front view thereof;  
 FIG. 3 is a rear view thereof;  
 FIG. 4 is a left side view thereof;  
 FIG. 5 is a right side view thereof;  
 FIG. 6 is a top view thereof; and,  
 FIG. 7 is a bottom view thereof.  
 The claimed design is indicated by the relatively dark portions in the figures. The relatively light portions form no part of the claimed design.

**1 Claim, 7 Drawing Sheets**



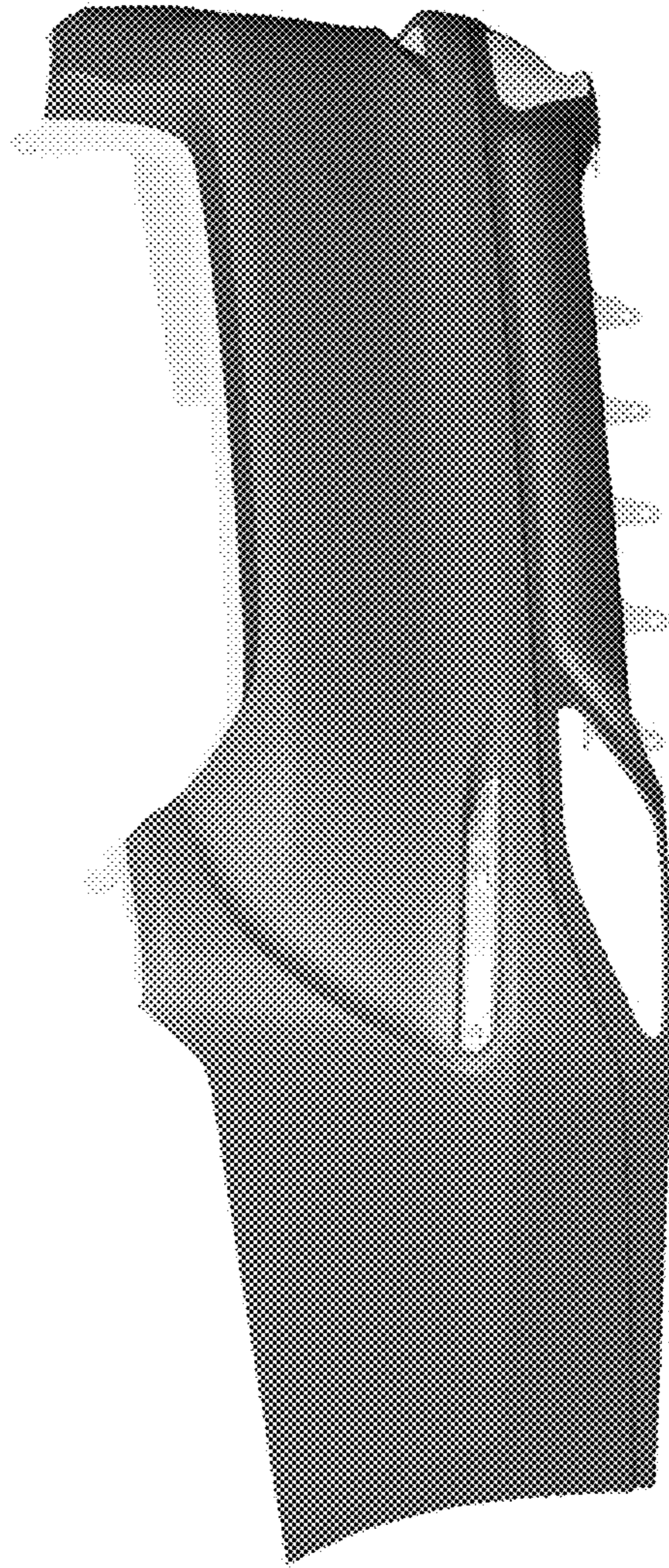


FIG. 1

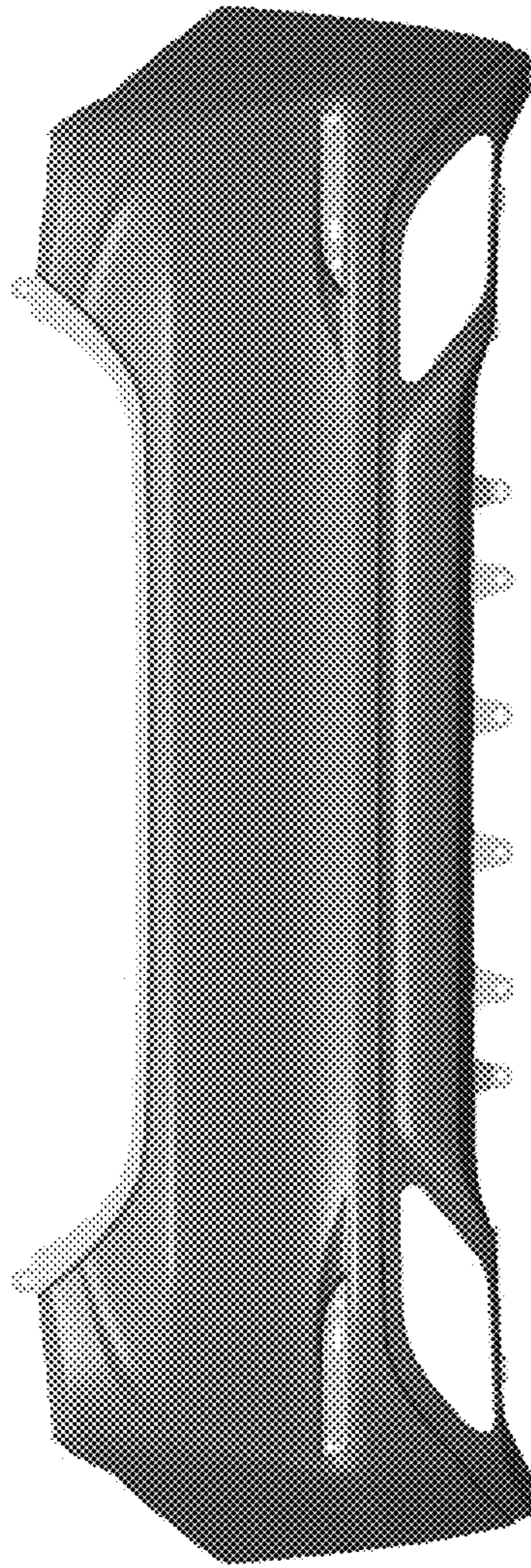


FIG. 2

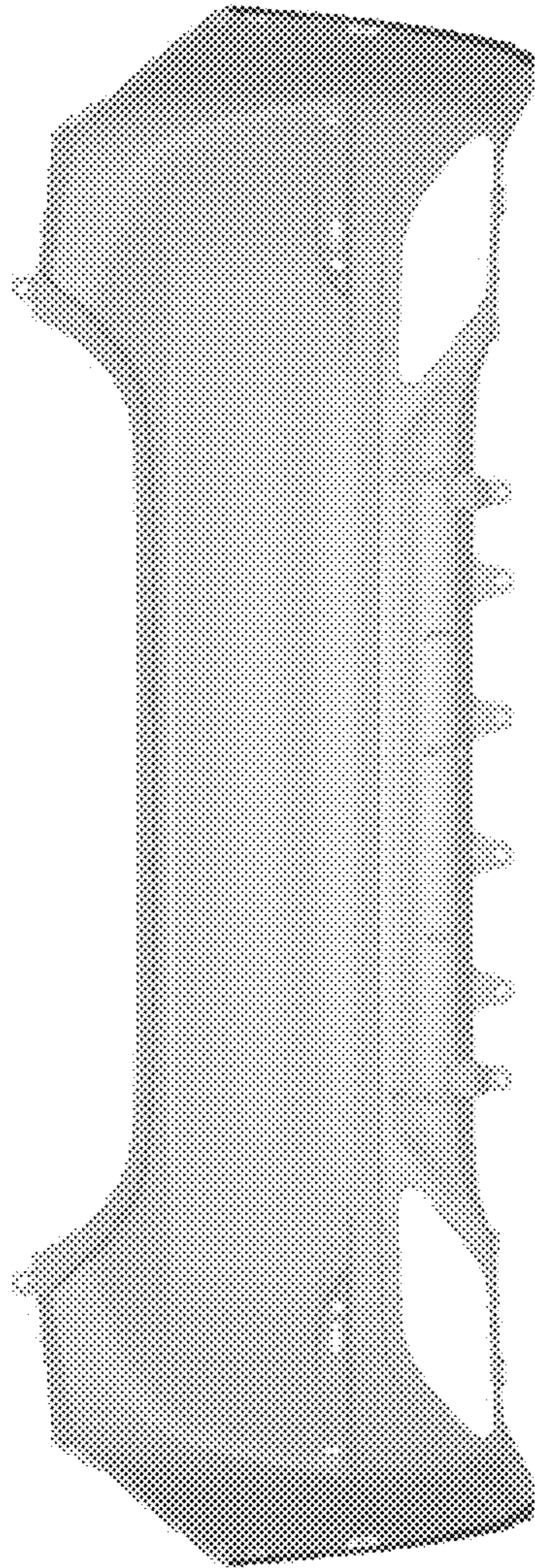


FIG. 3

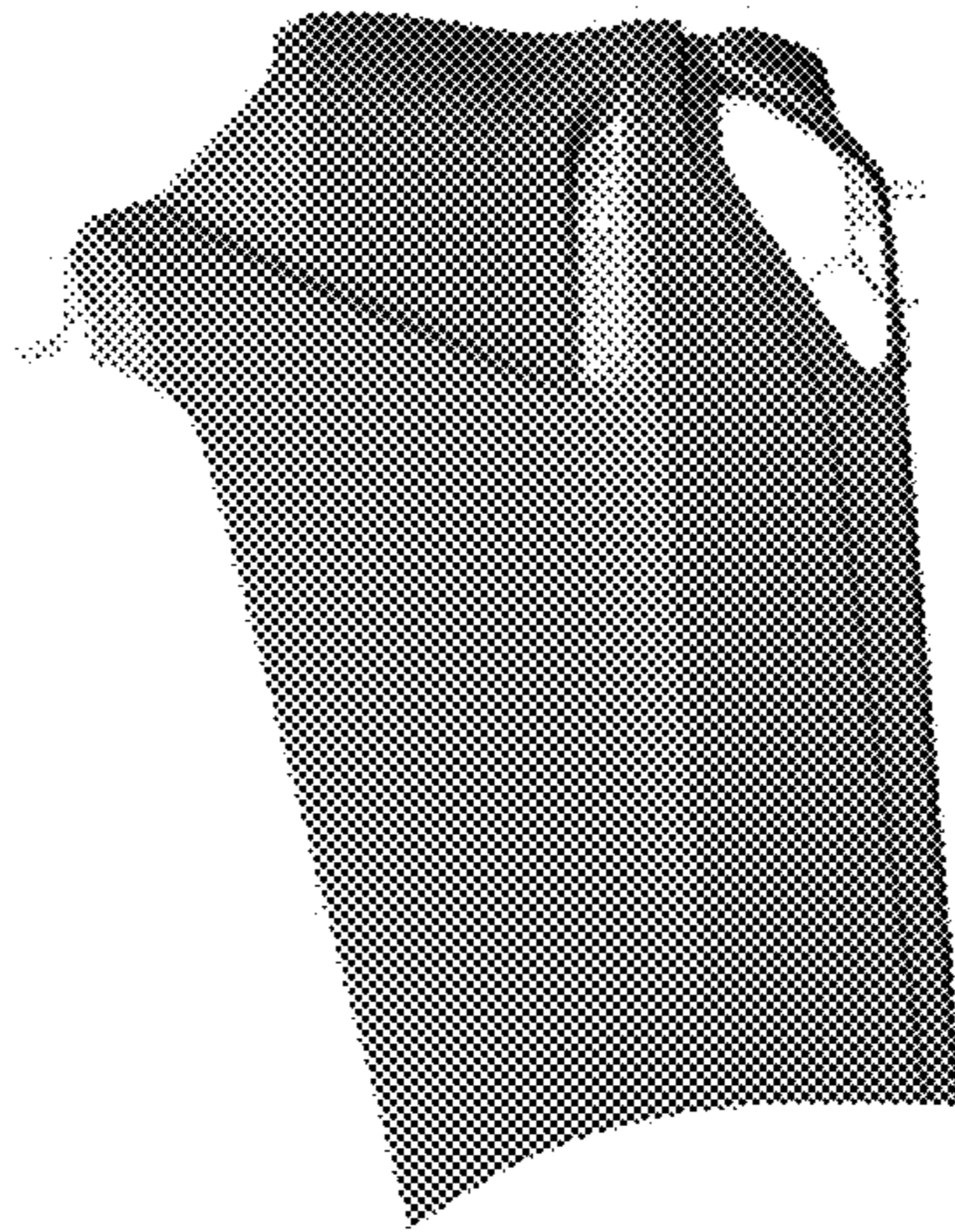


FIG. 4

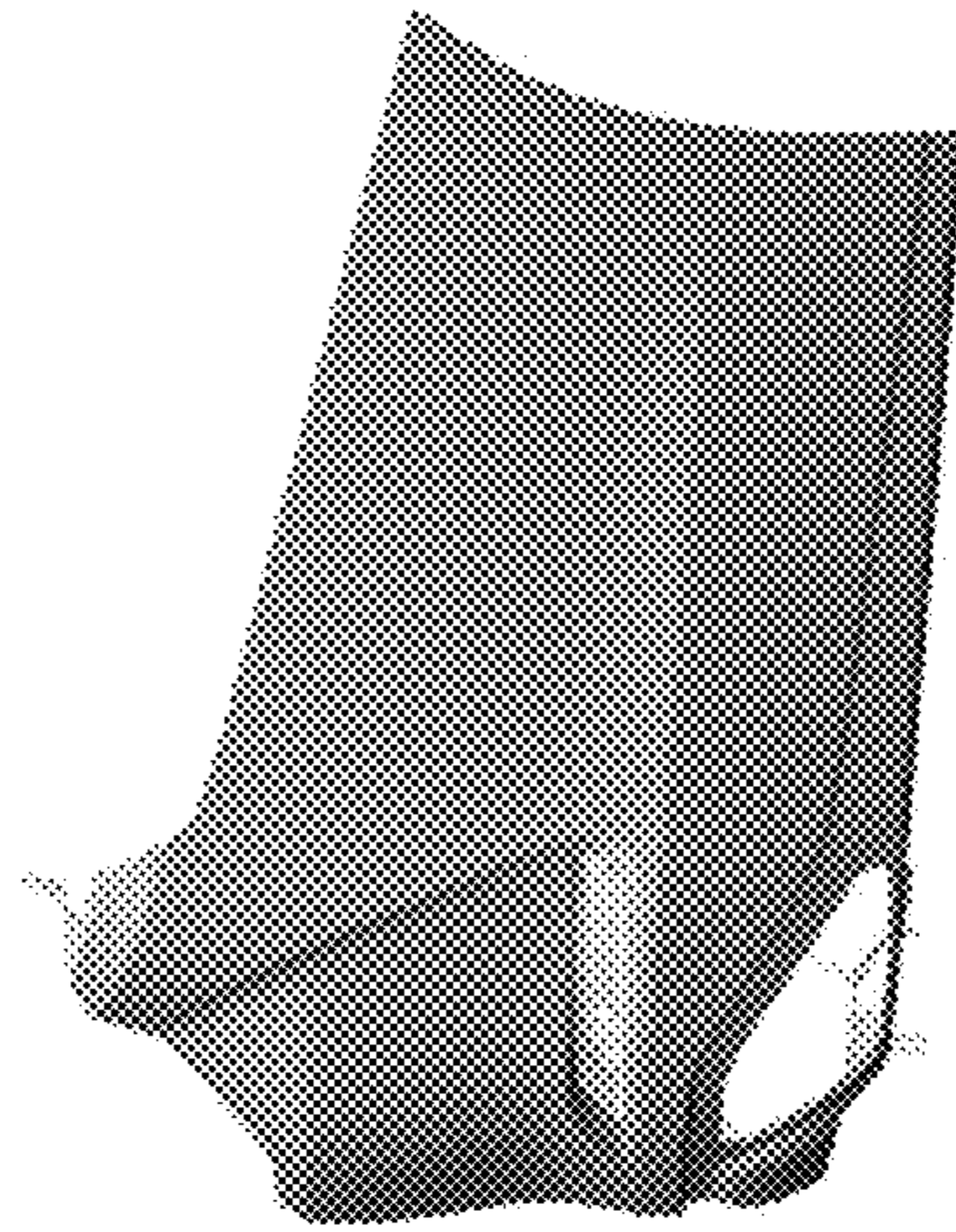


FIG. 5

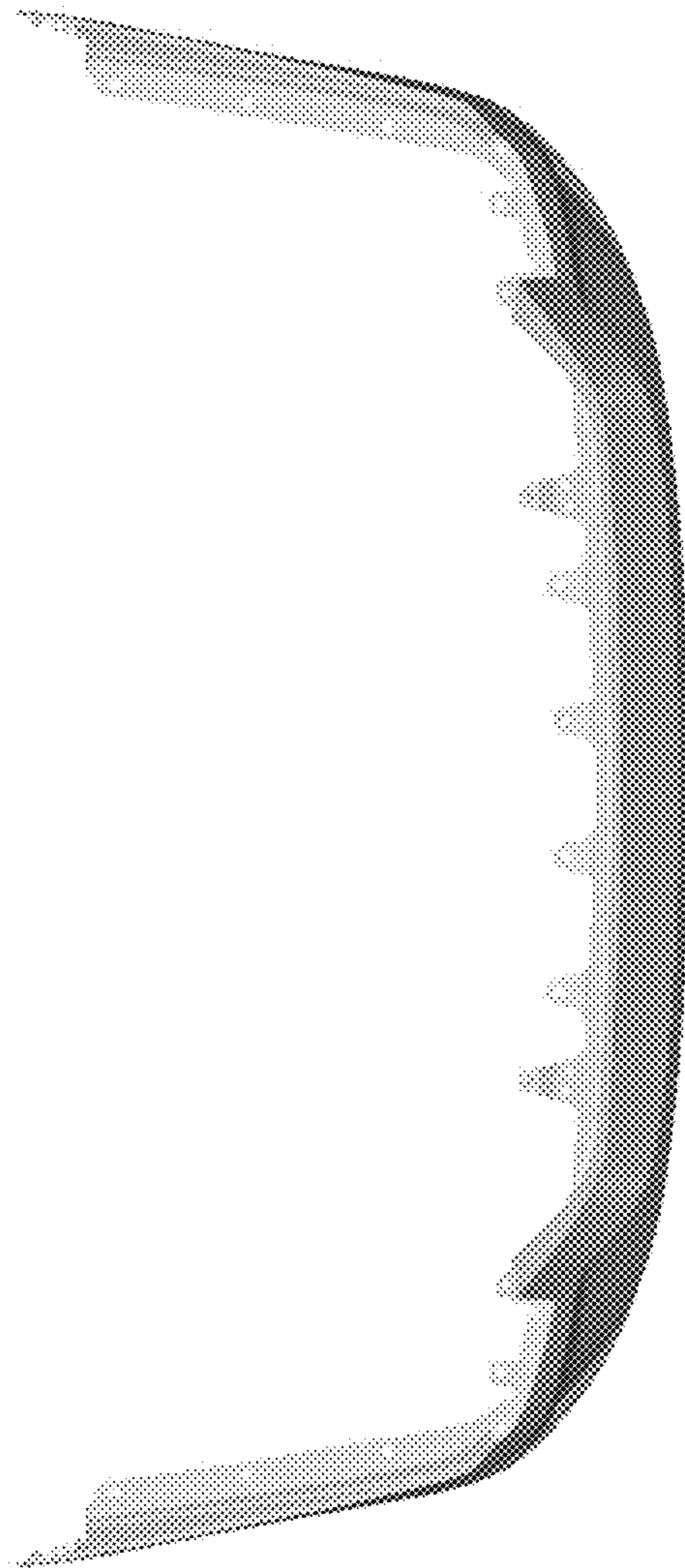


FIG. 6

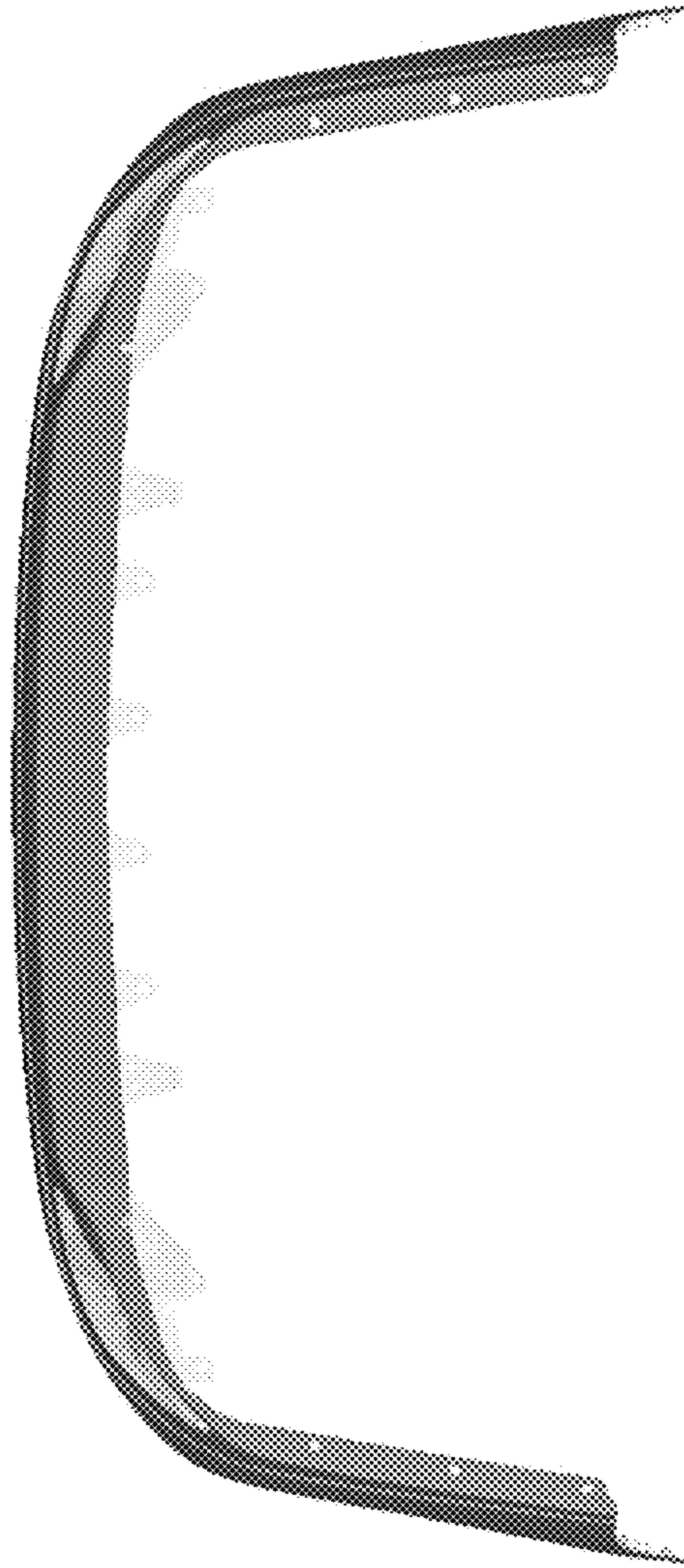


FIG. 7