



US00D882469S

(12) **United States Design Patent** (10) **Patent No.:** **US D882,469 S**
Lu (45) **Date of Patent:** **** Apr. 28, 2020**

(54) **REAR DIFFUSER FOR AN AUTOMOBILE**

(71) Applicant: **Turn 5, Inc.**, Paoli, PA (US)

(72) Inventor: **Shunguo Lu**, Danyang (CN)

(73) Assignee: **Turn 5, Inc.**, Paoli, PA (US)

(**) Term: **15 Years**

(21) Appl. No.: **29/666,500**

(22) Filed: **Oct. 12, 2018**

(51) **LOC (12) Cl.** **12-16**

(52) **U.S. Cl.**
USPC **D12/169**; D12/196

(58) **Field of Classification Search**
USPC D12/86, 90-92, 163, 169, 171, 173, 181,
D12/184, 196, 216, 388
CPC B60R 19/52; B60R 19/02; B60R 19/04;
B60K 11/08; B62D 25/08; B62D 25/18;
B62D 25/184; B62D 25/02; B62D 25/16;
B62D 25/161; B62D 25/168; B62D
25/00; B62D 25/06; B62D 35/00; B62B
9/16; A45C 13/08; A45F 5/10
See application file for complete search history.

(56) **References Cited**

U.S. PATENT DOCUMENTS

D418,087 S * 12/1999 Ueno D12/91
D543,920 S * 6/2007 Lai D12/196
D608,691 S * 1/2010 Zak, Jr. D12/91
D640,617 S * 6/2011 Furst D12/169
D689,796 S * 9/2013 Kubo D12/92
D698,283 S * 1/2014 Palm D12/92
D711,287 S * 8/2014 Butterworth D12/92
D712,805 S * 9/2014 Murkett D12/169
D738,269 S * 9/2015 Blanski D12/169
D751,003 S * 3/2016 Rugar D12/163
D751,004 S * 3/2016 Rugar D12/163
D776,011 S * 1/2017 La Vecchia D12/92
D794,518 S * 8/2017 Henstridge D12/169
D810,637 S * 2/2018 Wheel D12/169

D813,116 S * 3/2018 Park D12/169
D813,745 S * 3/2018 Behmer D12/169
D823,193 S * 7/2018 Kamiura D12/169
D824,304 S * 7/2018 Akrapovic D12/181
D832,744 S * 11/2018 Wheel D12/91

(Continued)

OTHER PUBLICATIONS

Seatown Stang. "CJPP Rear Diffuser Install Without Removing Bumper (DIY Video)." Mustang6G Forum, published Nov. 13, 2017 (Retrieved from the Internet Sep. 13, 2019). Internet URL: <https://www.mustang6g.com/forums/threads/cjpp-rear-diffuser-install-without-removing-bumper-diy-video.93643/> (Year: 2017).*

(Continued)

Primary Examiner — Jack Reickel
Assistant Examiner — Rachel A Voorhies
(74) *Attorney, Agent, or Firm* — Schott P.C.

(57) **CLAIM**

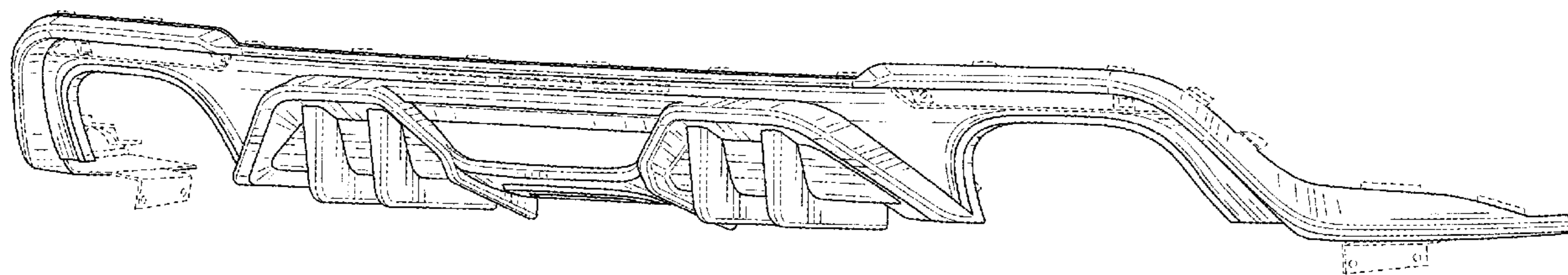
The ornamental design for a rear diffuser for an automobile, as shown and described.

DESCRIPTION

FIG. 1 is a right perspective view of the rear diffuser for an automobile of the present invention;
FIG. 2 is a bottom perspective view thereof;
FIG. 3 is a front elevation view thereof;
FIG. 4 is a rear elevation view thereof;
FIG. 5 is a right side view thereof;
FIG. 6 is a left side view thereof;
FIG. 7 is a top side view thereof;
FIG. 8 is a bottom side view thereof; and,
FIG. 9 is a perspective view thereof in an exemplary automobile.

The broken lines are provided for the purpose of illustrating environmental structure(s) and form no part of the claimed design.

1 Claim, 7 Drawing Sheets



(56)

References Cited

U.S. PATENT DOCUMENTS

D843,279	S	*	3/2019	Jevremovic	D12/169
D847,049	S	*	4/2019	Munsell	D12/169
D849,600	S	*	5/2019	Egan	D12/91
D856,217	S	*	8/2019	Melikian	D12/169
D856,223	S	*	8/2019	Thogersen	D12/169
D859,237	S	*	9/2019	Koo	D12/169
D868,647	S	*	12/2019	Buck	D12/169
D868,649	S	*	12/2019	Woodhouse	D12/169

OTHER PUBLICATIONS

“C7 Corvette Real Carbon Fiber Lower Diffuser. . .” SouthernCarParts.com, published Jun. 21, 2017 (Retrieved from the Internet Sep. 13, 2019). Internet URL: <<https://web.archive.org/web/20170621190847/http://www.southerncarparts.com/corvette-real-carbon-fiber-lower-diffuser-stingray-p-6402.html>> (Year: 2017).*

Ikon Motorsports. “Rear Bumper Lip Diffuser Compatable with 2016-2019 Chevy Camaro.” Amazon.com, published Mar. 5, 2018 (Retrieved from the Internet Sep. 13, 2019). Internet URL: <<https://www.amazon.com/2016-2019-Protection-Collision-IKON-MOTORSPORTS/dp/B07B7LJ6YW>> (Year: 2018).*

* cited by examiner

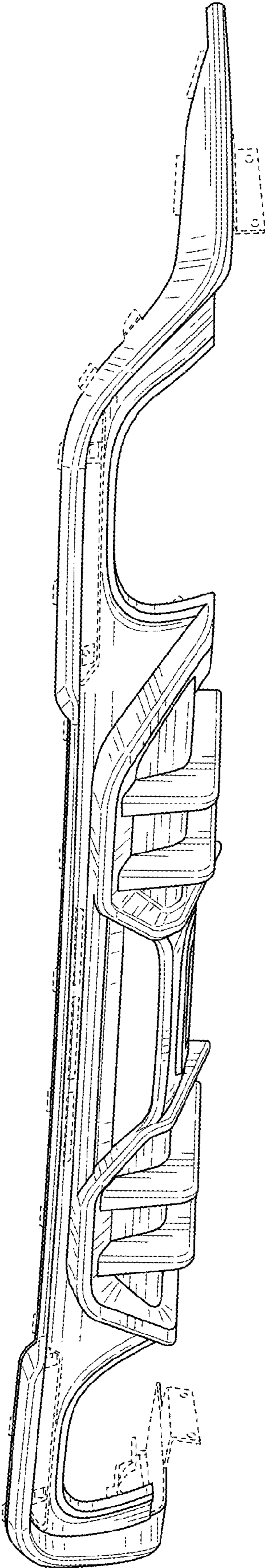


FIG. 1

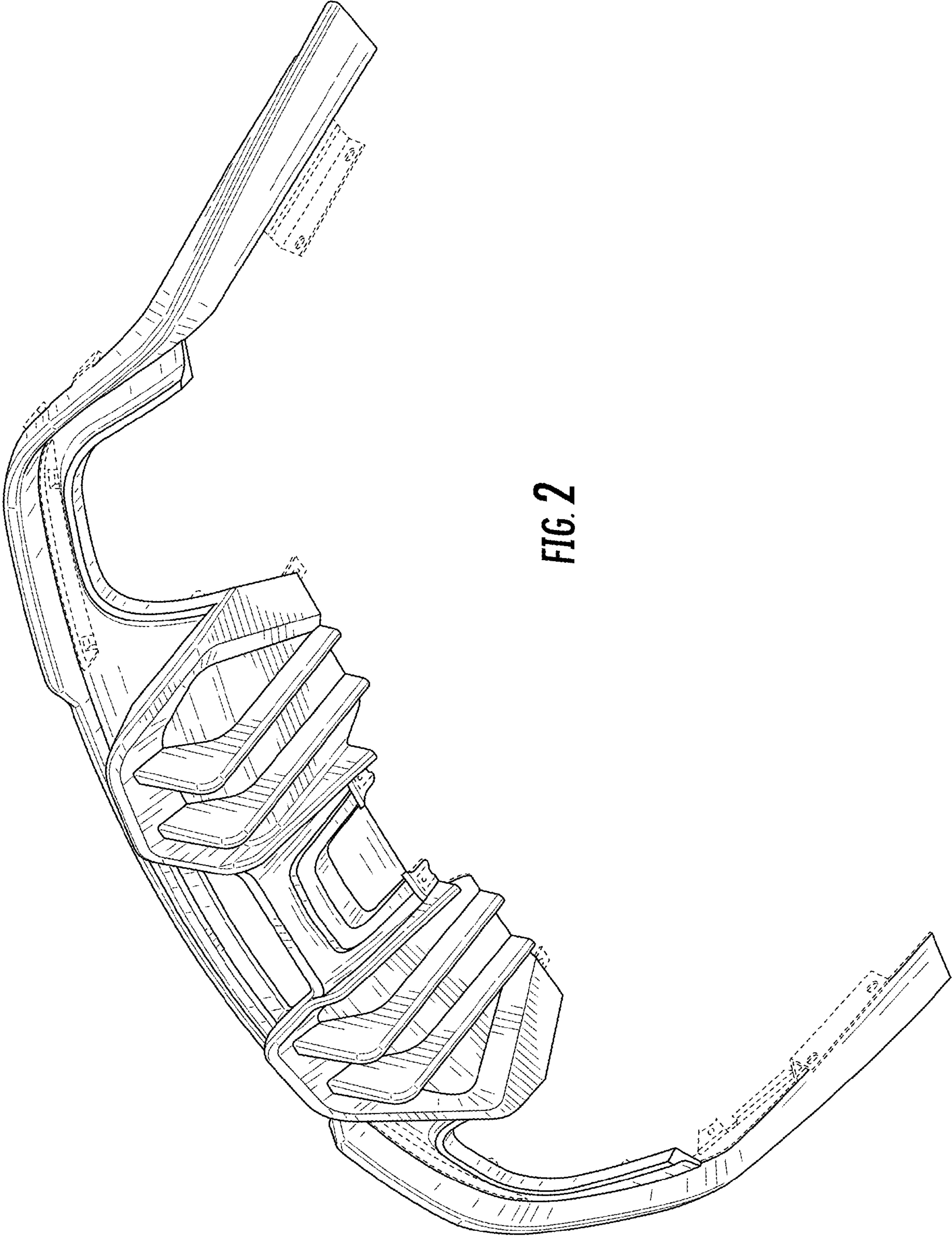


FIG. 2

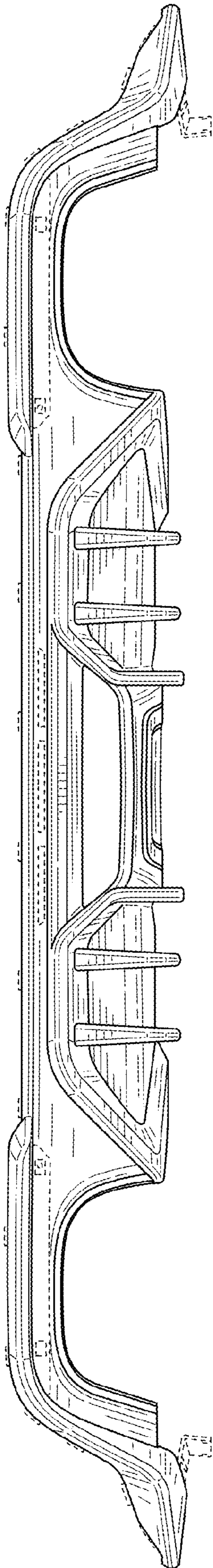


FIG. 3

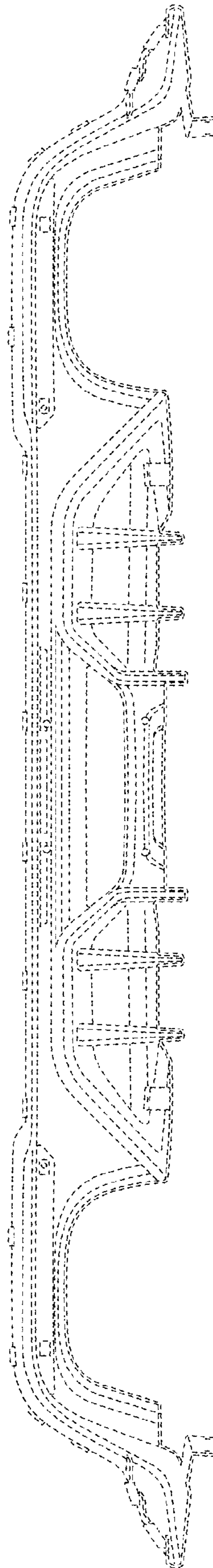


FIG. 4

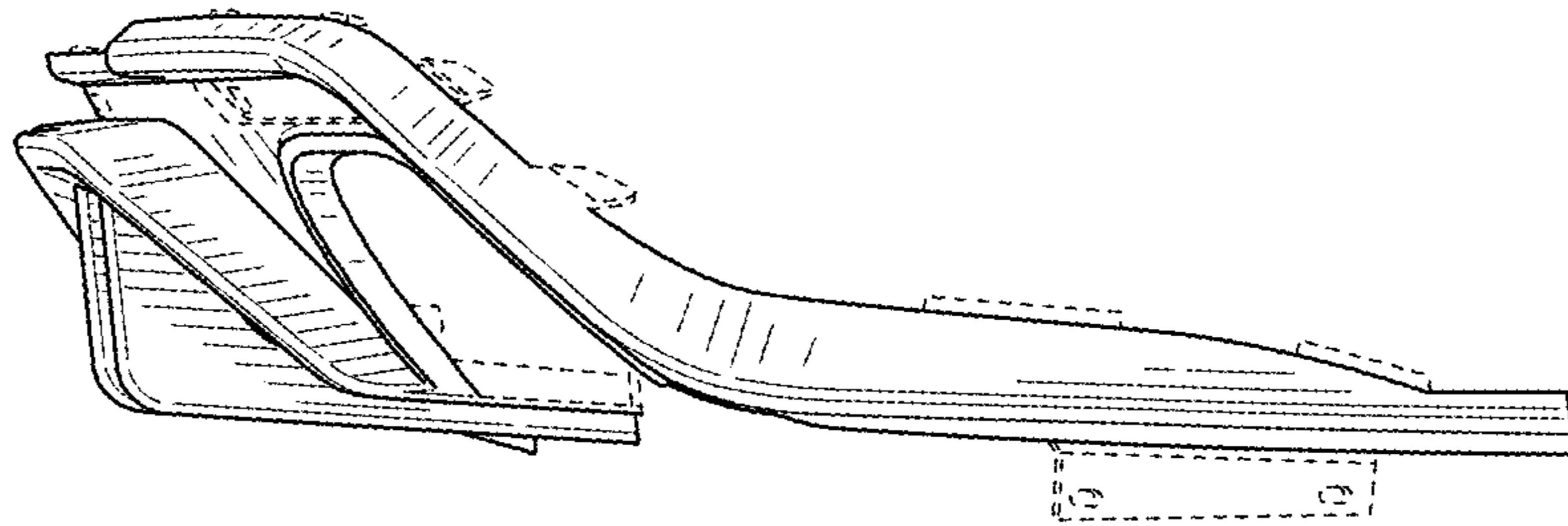


FIG. 5

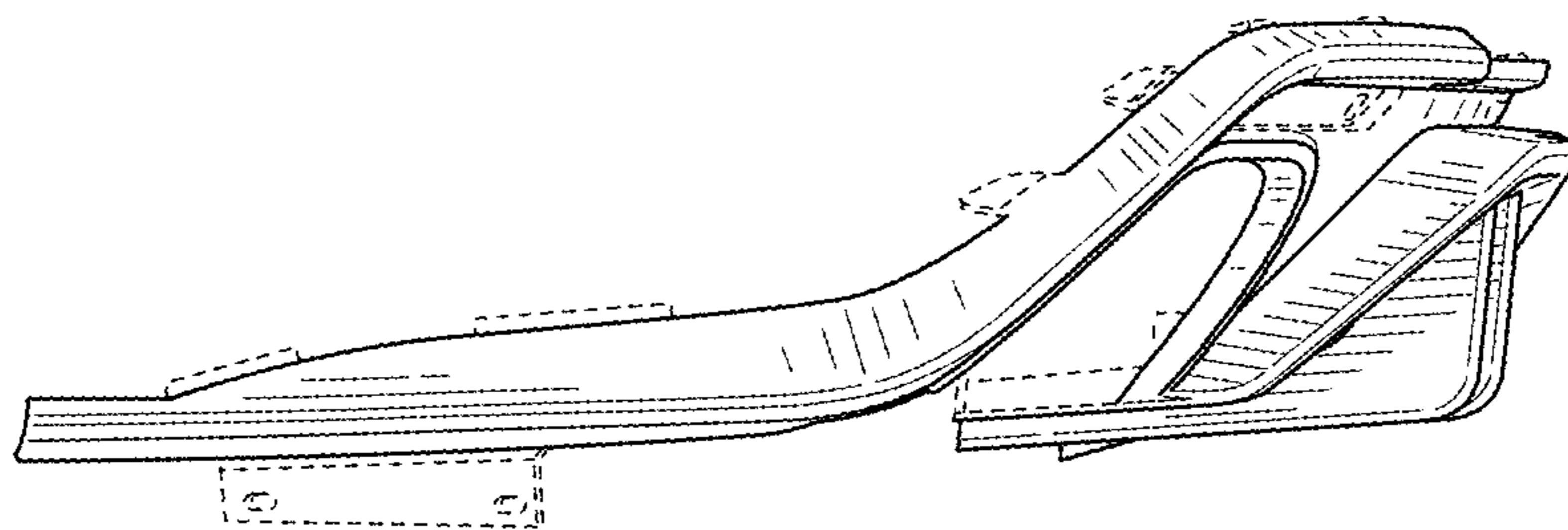


FIG. 6

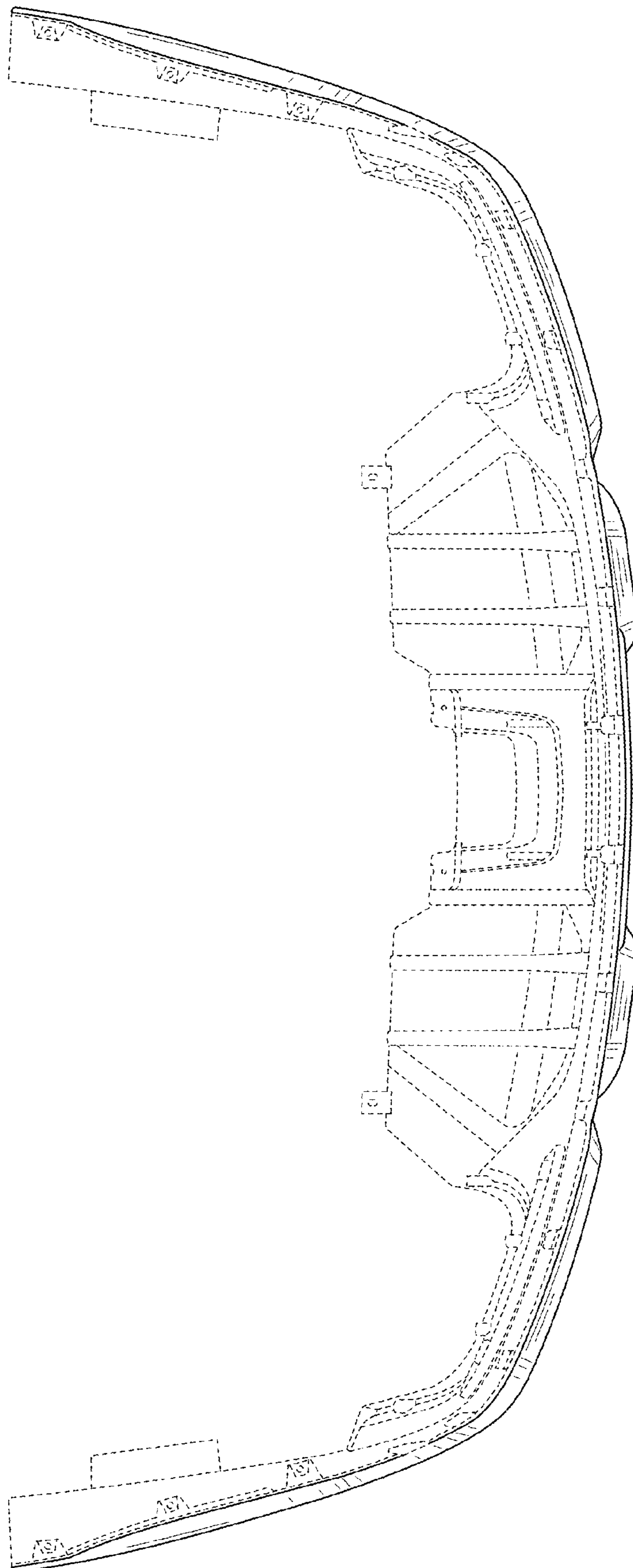


FIG. 7

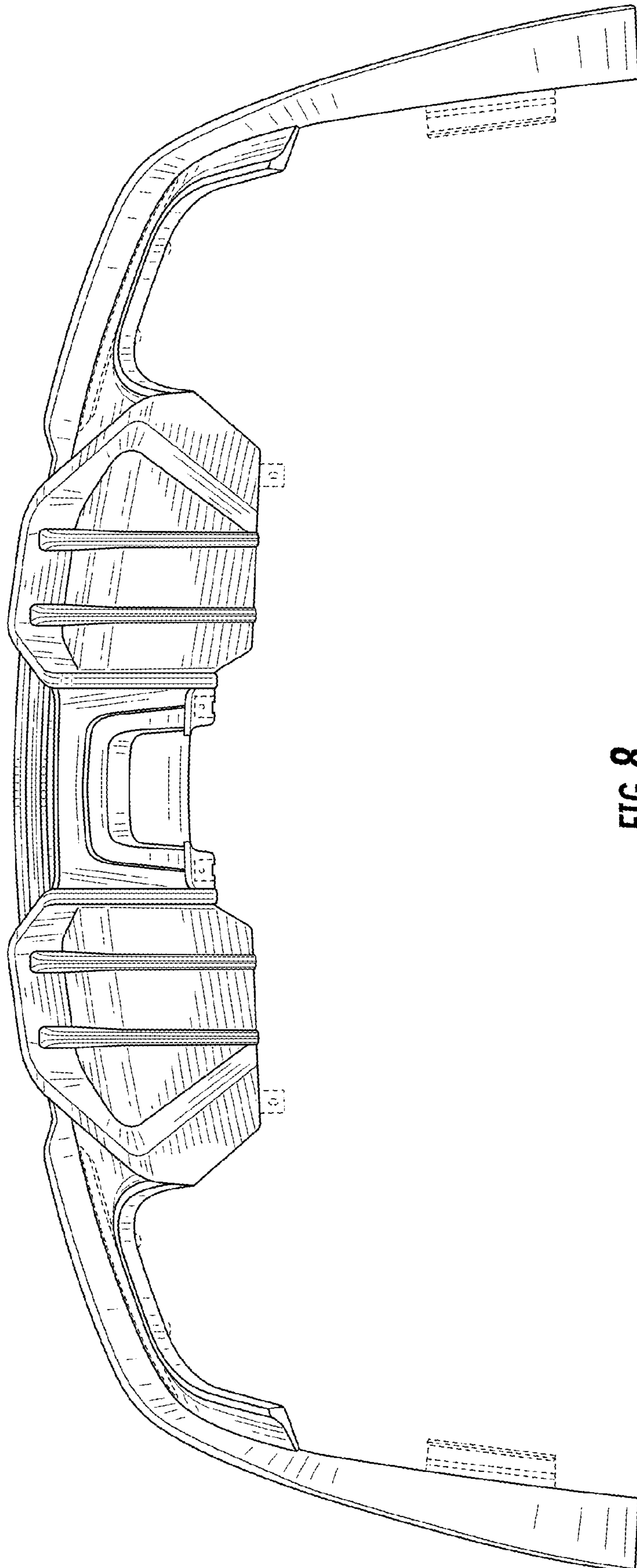


FIG. 8

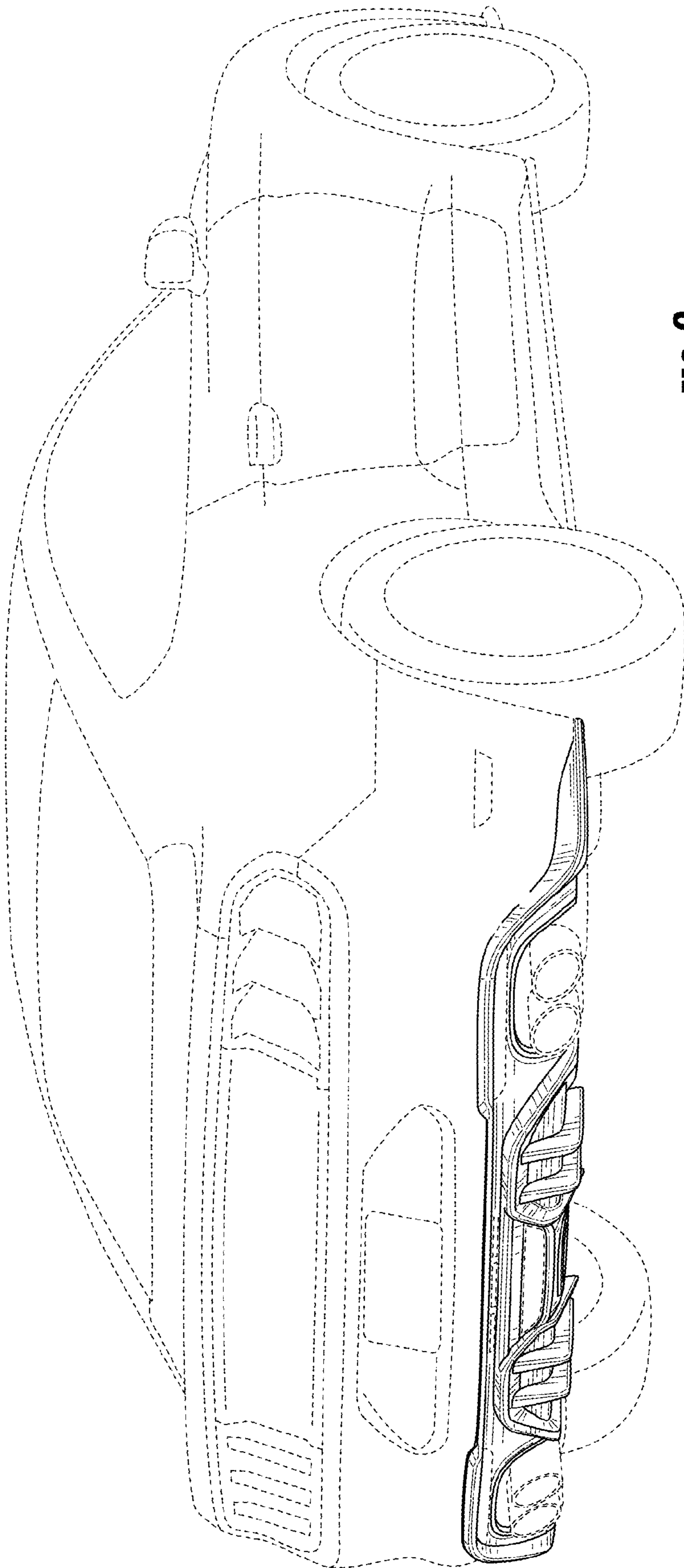


FIG. 9