



US00D882468S

(12) **United States Design Patent** (10) **Patent No.:** **US D882,468 S**
Sperling et al. (45) **Date of Patent:** **** Apr. 28, 2020**

(54) **REAR BUMPER FOR AN AUTOMOBILE**

D865,583 S * 11/2019 Burki D12/169
D866,418 S * 11/2019 Peplowski D12/169
D867,234 S * 11/2019 Peplowski D12/169

(71) Applicants: **Matthew Niven Sperling**, Huntington Beach, CA (US); **Junwon Han**, Okazaki (JP)

(72) Inventors: **Matthew Niven Sperling**, Huntington Beach, CA (US); **Junwon Han**, Okazaki (JP)

(73) Assignee: **TOYOTA JIDOSHA KABUSHIKI KAISHA** (JP)

(**) Term: **15 Years**

(21) Appl. No.: **29/663,497**

(22) Filed: **Sep. 17, 2018**

(51) **LOC (12) Cl.** **12-16**

(52) **U.S. Cl.**
USPC **D12/169**

(58) **Field of Classification Search**
USPC D12/169, 164, 196, 171, 163, 86, 90-92;
293/102, 113, 115, 117, 120; 296/180.1,
296/180.2

CPC B60R 19/02; B60R 19/04; B62D 25/08
See application file for complete search history.

(56) **References Cited**

U.S. PATENT DOCUMENTS

D842,773 S * 3/2019 Smith D12/169
D845,189 S * 4/2019 Pinazzo D12/169
D853,905 S * 7/2019 Betancourt D12/169
D856,867 S * 8/2019 Elstner D12/169
D856,872 S * 8/2019 Smith D12/169

OTHER PUBLICATIONS

NetCarShow, Toyota Corolla (2014), <https://www.netcarshow.com/toyota/2014-corolla/1280x960/wallpaper_08.htm>, available as early as Aug. 15, 2017.

NetCarShow, Hyundai Elantra (2017), <https://www.netcarshow.com/hyundai/2017-elantra/1280x960/wallpaper_0d.htm>, available as early as Aug. 15, 2017.

* cited by examiner

Primary Examiner — Melody N Brown

(74) *Attorney, Agent, or Firm* — Saidman DesignLaw Group, LLC

(57) **CLAIM**

The ornamental design for a rear bumper for an automobile, as shown and described.

DESCRIPTION

FIG. 1 is a perspective view of a rear bumper for an automobile showing our new design;

FIG. 2 is a front view thereof;

FIG. 3 is a rear view thereof;

FIG. 4 is a left side view thereof;

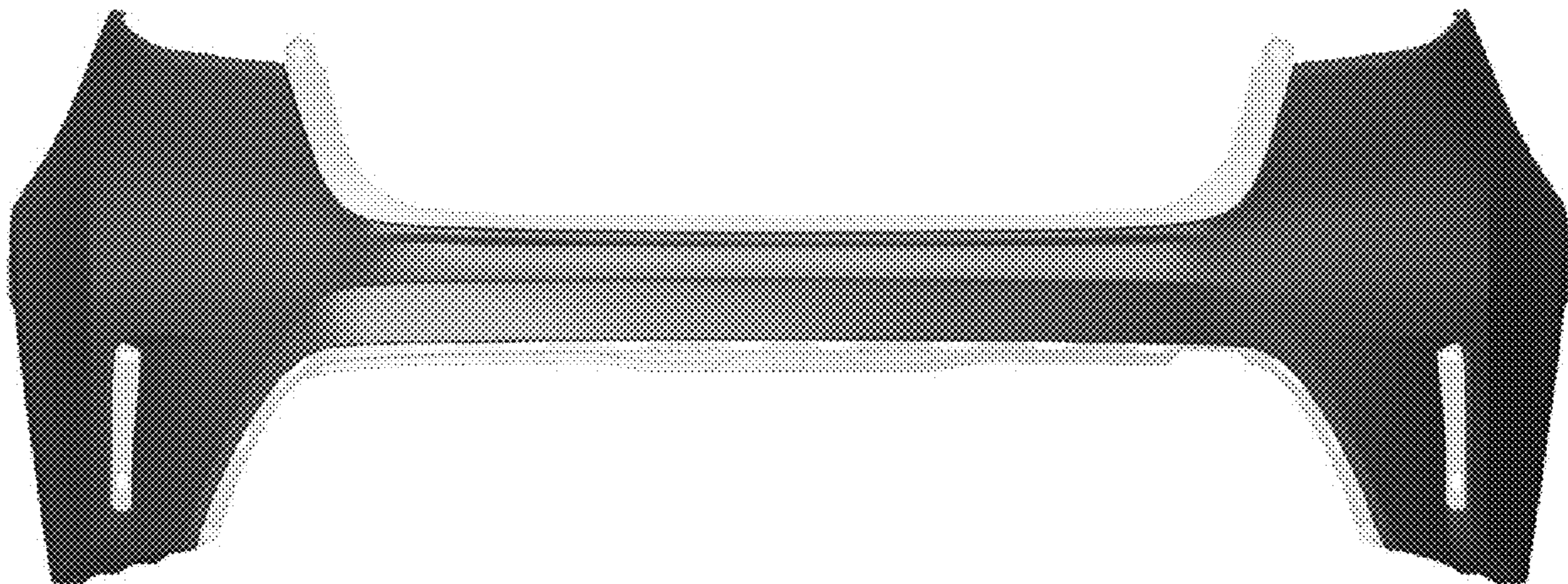
FIG. 5 is a right side view thereof;

FIG. 6 is a top view thereof; and,

FIG. 7 is a bottom view thereof.

The claimed design is indicated by the relatively dark portions in the figures. The relatively light portions form no part of the claimed design.

1 Claim, 7 Drawing Sheets



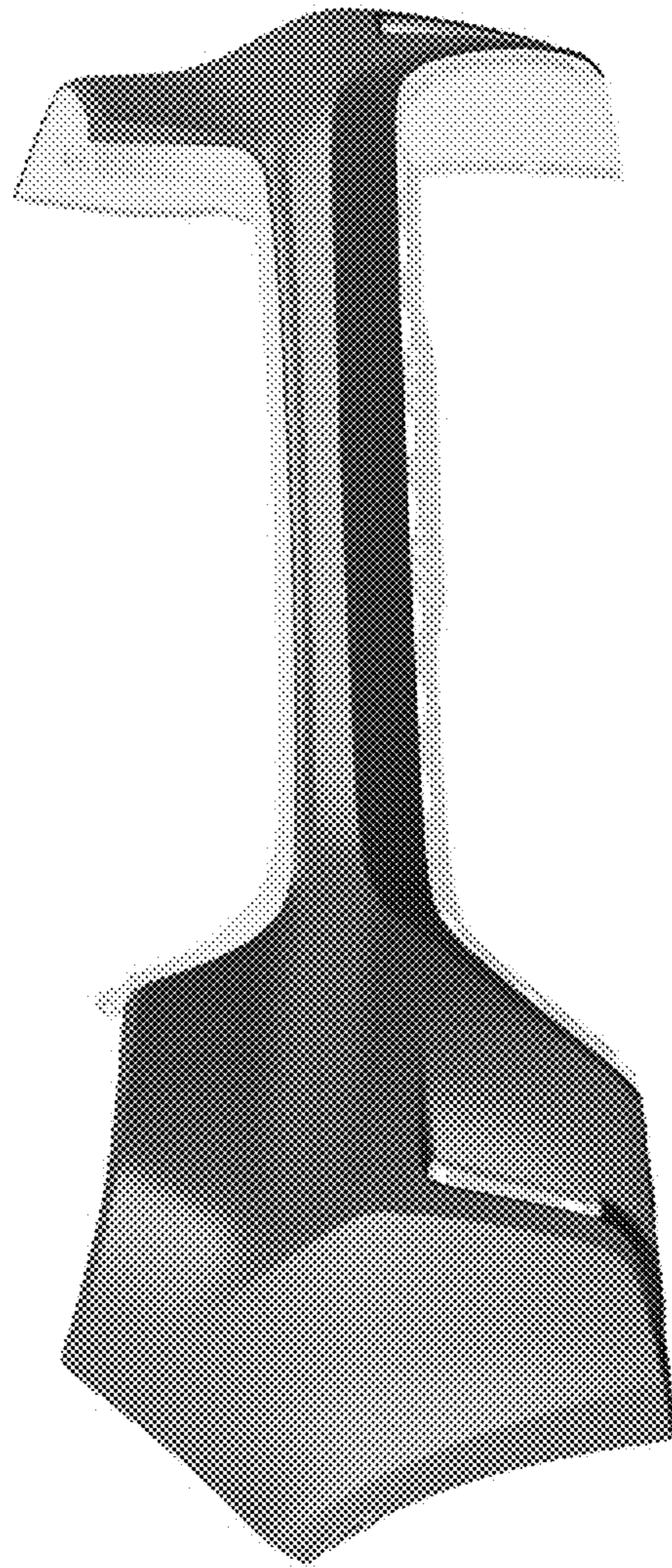


FIG. 1

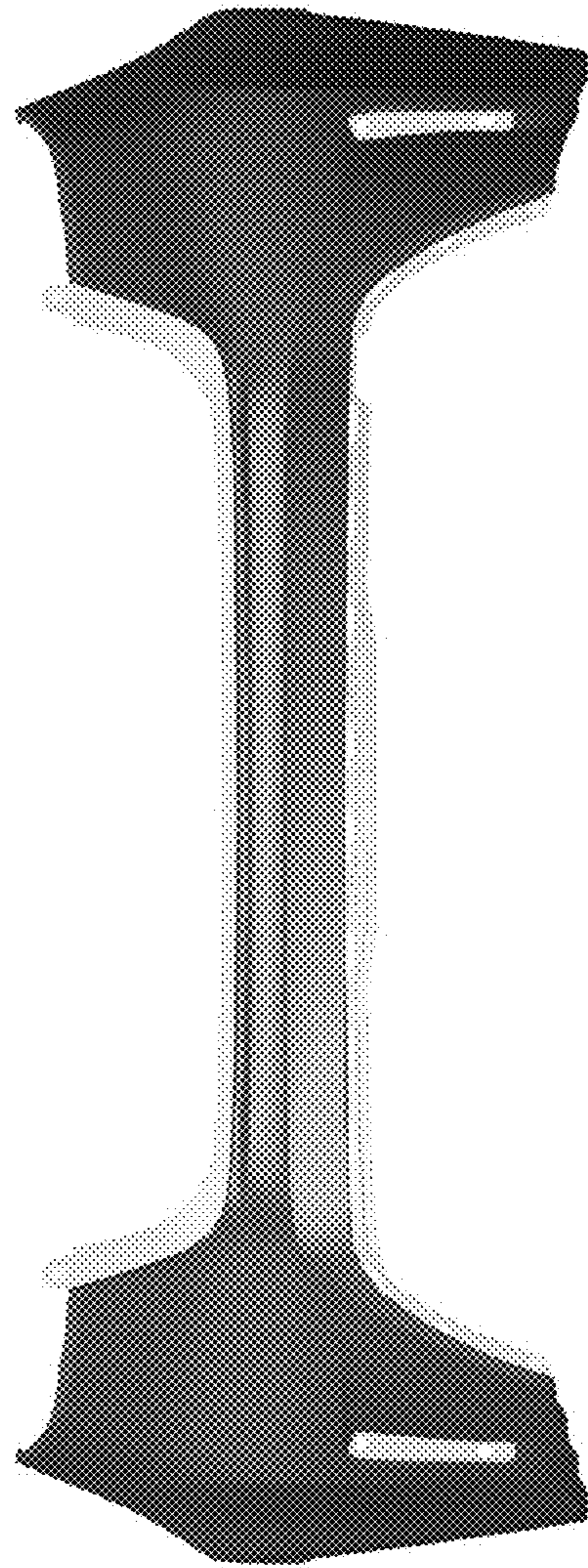


FIG. 2

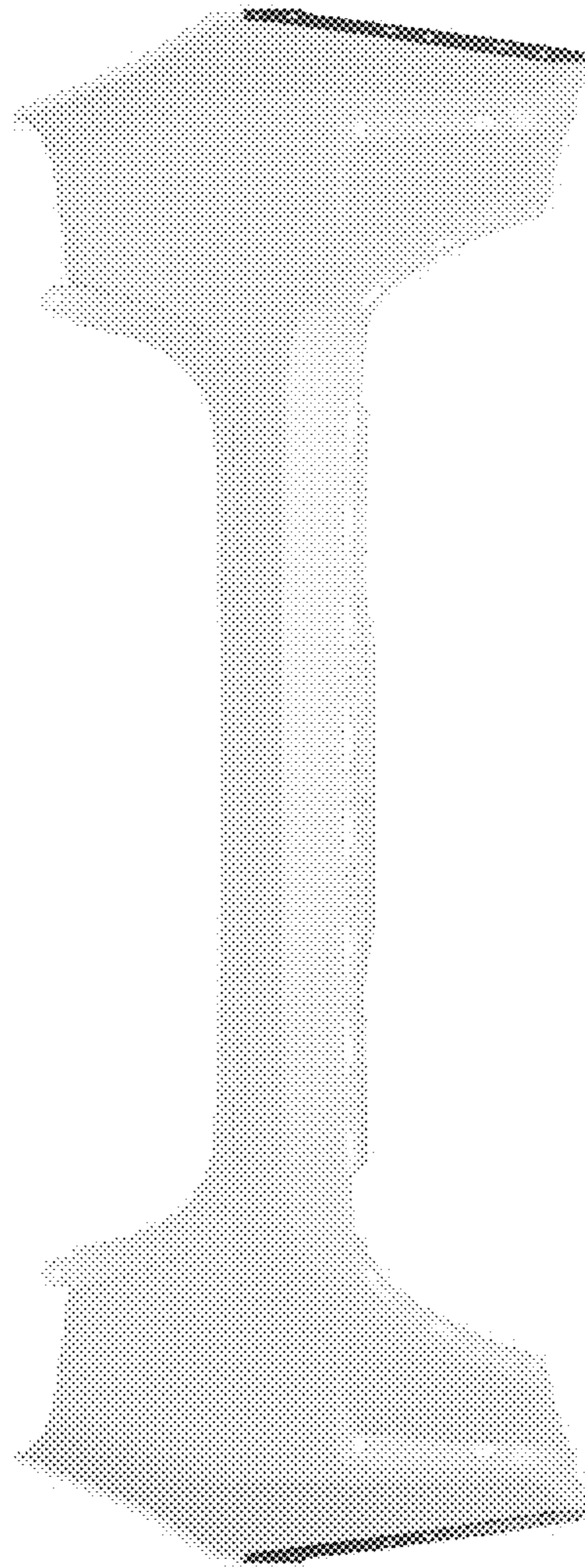


FIG. 3

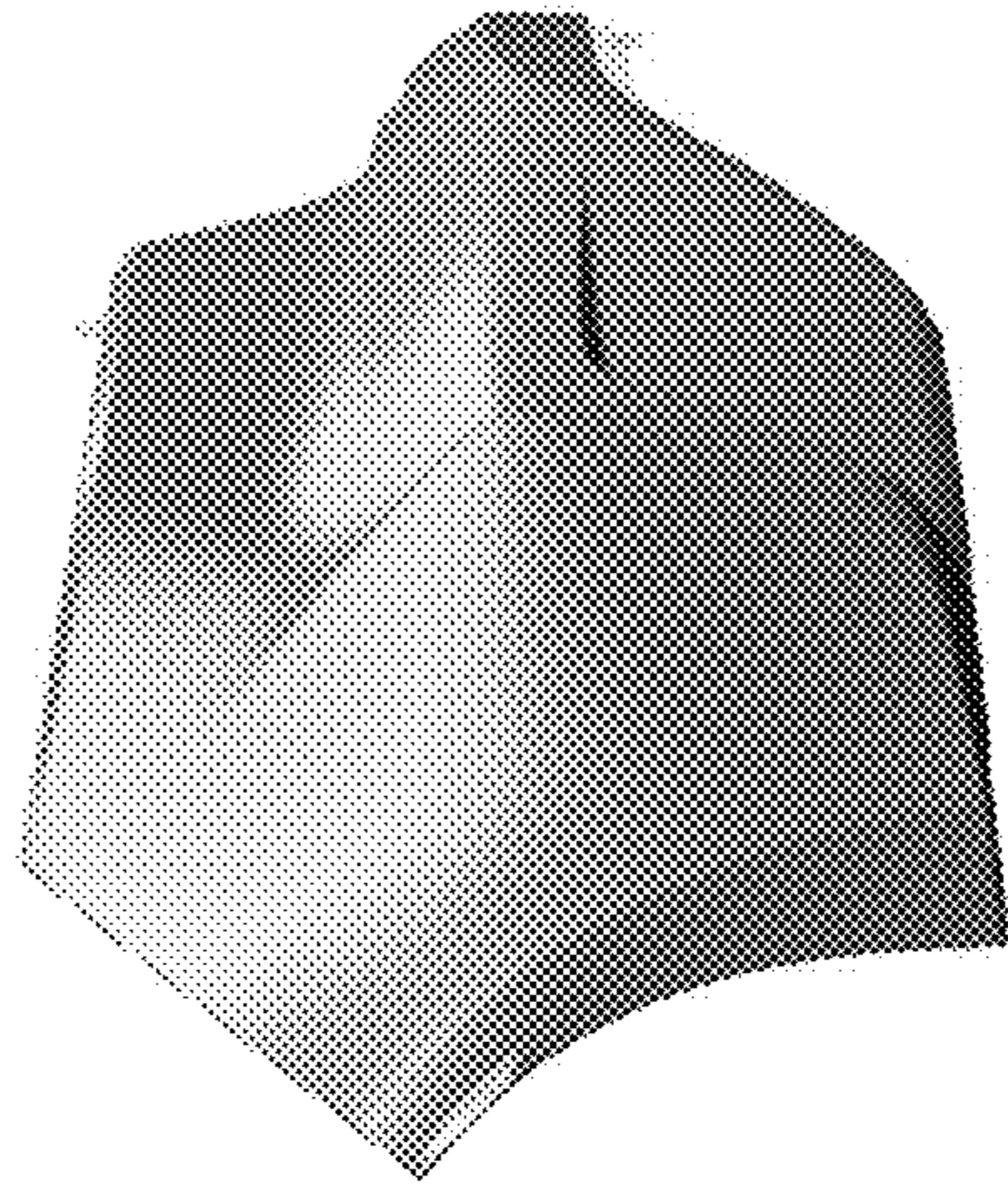


FIG. 4

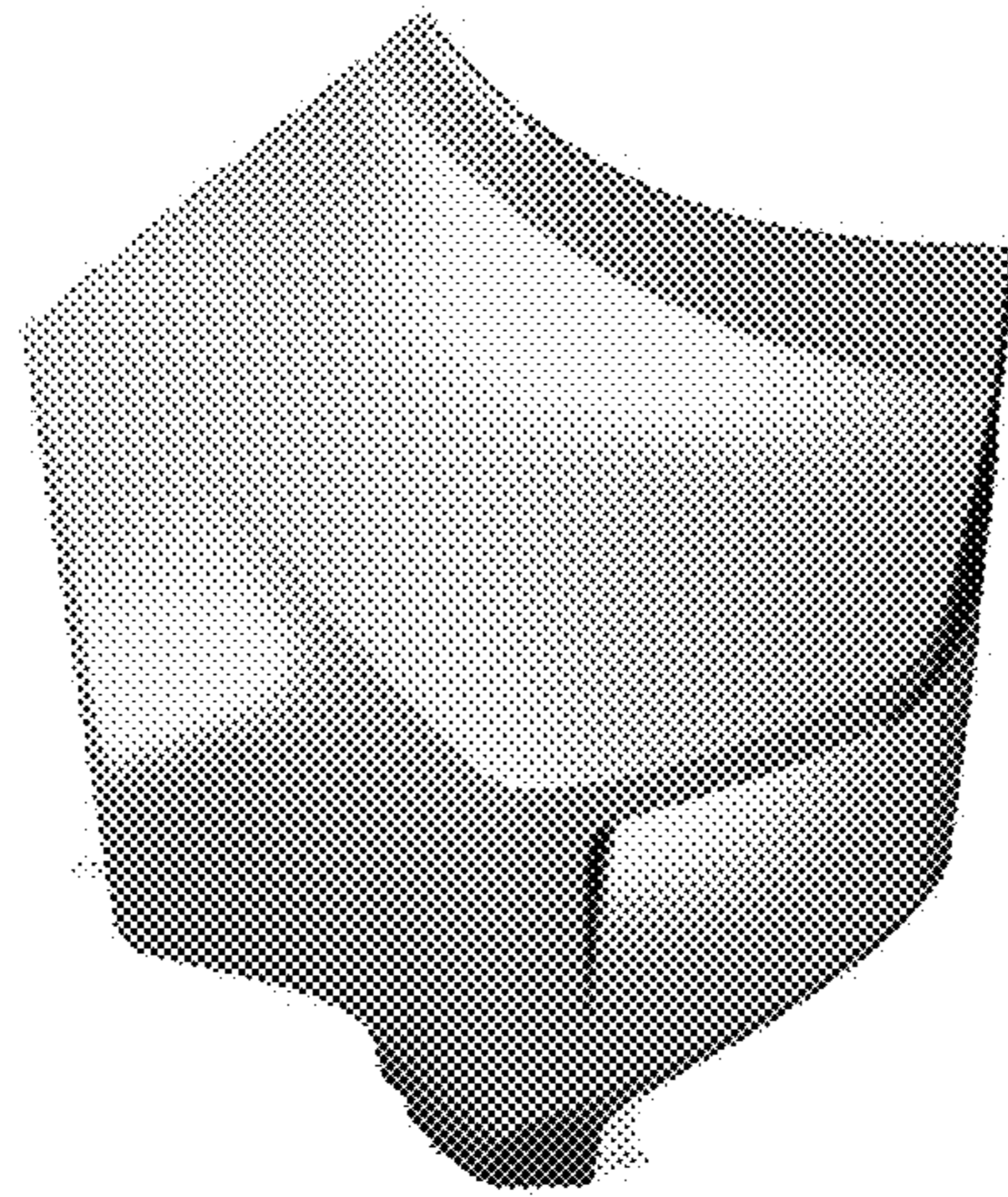


FIG. 5

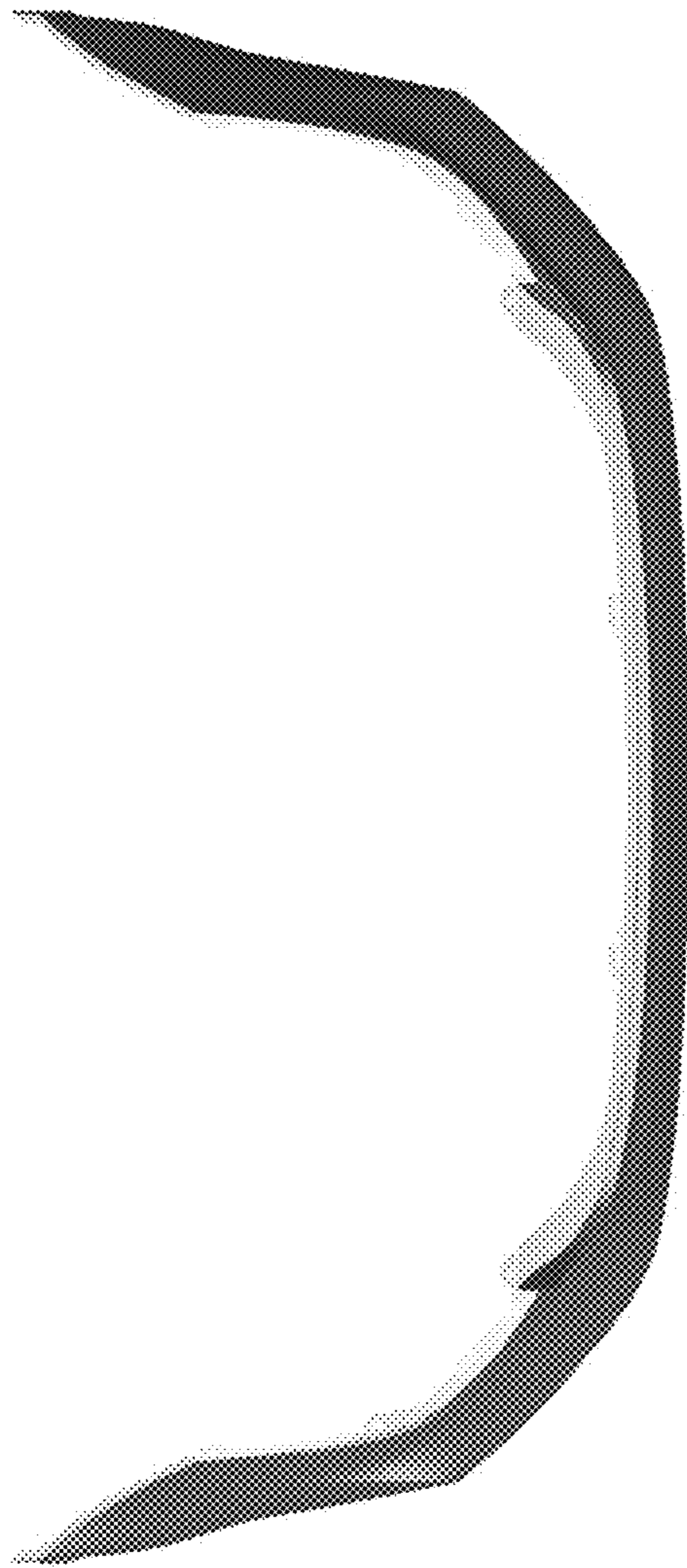


FIG. 6

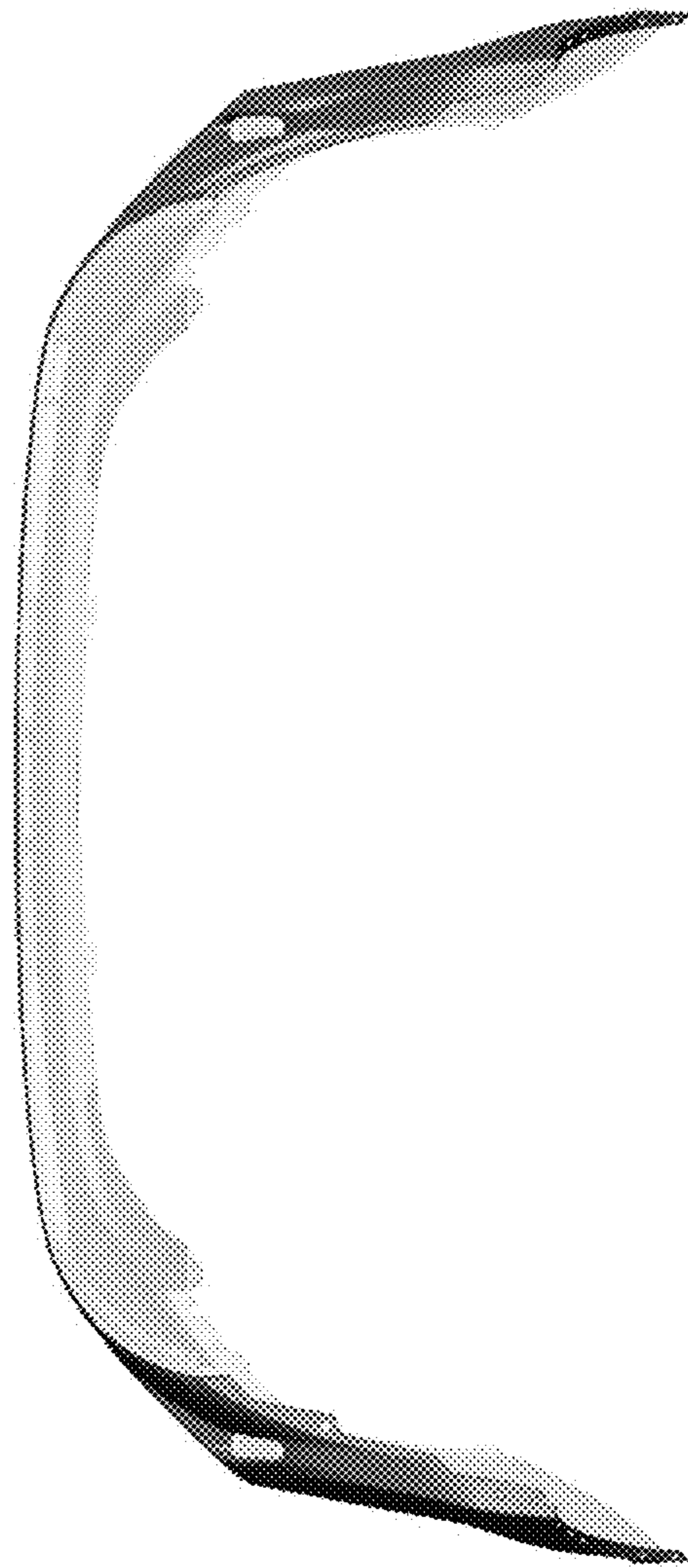


FIG. 7