



US00D882467S

(12) **United States Design Patent**  
**Matsumoto et al.**

(10) **Patent No.:** **US D882,467 S**

(45) **Date of Patent:** **\*\* Apr. 28, 2020**

(54) **REAR BUMPER FOR AN AUTOMOBILE**

(71) Applicants: **Tomonori Matsumoto**, Irvine, CA  
(US); **Yukiko Yano**, Toyota (JP)

(72) Inventors: **Tomonori Matsumoto**, Irvine, CA  
(US); **Yukiko Yano**, Toyota (JP)

(73) Assignee: **TOYOTA JIDOSHA KABUSHIKI**  
**KAISHA (JP)**

(\*\*) Term: **15 Years**

(21) Appl. No.: **29/656,546**

(22) Filed: **Jul. 13, 2018**

(30) **Foreign Application Priority Data**

Jan. 17, 2018 (JP) ..... 2018-000662

(51) **LOC (12) Cl.** ..... **12-16**

(52) **U.S. Cl.**  
USPC ..... **D12/169**

(58) **Field of Classification Search**  
USPC .... D12/169, 164, 196, 171, 163, 86, 90-92;  
293/102, 113, 115, 117, 120; 296/180.1,  
296/180.2

CPC ..... B60R 19/02; B60R 19/04; B62D 25/08  
See application file for complete search history.

(56) **References Cited**

**U.S. PATENT DOCUMENTS**

D833,905 S \* 11/2018 Kadar ..... D11/81  
D842,773 S \* 3/2019 Smith ..... D12/169  
D845,189 S \* 4/2019 Pinazzo ..... D12/169  
D856,867 S \* 8/2019 Elstner ..... D12/169

D856,872 S \* 8/2019 Smith ..... D12/169  
D865,583 S \* 11/2019 Burki ..... D12/169  
D866,418 S \* 11/2019 Peplowski ..... D12/169  
D867,234 S \* 11/2019 Peplowski ..... D12/169

**OTHER PUBLICATIONS**

Netcarshow, Toyota Auris (2016), <[https://www.netcarshow.com/toyota/2016-auris/1280x960/wallpaper\\_12.htm](https://www.netcarshow.com/toyota/2016-auris/1280x960/wallpaper_12.htm)>, available as early as Jan. 1, 2016.

Netcarshow, Mercedes-Benz A-Class (2016), <[https://www.netcarshow.com/mercedes-benz/2016-a-class/1280x960/wallpaper\\_3d.htm](https://www.netcarshow.com/mercedes-benz/2016-a-class/1280x960/wallpaper_3d.htm)>, available as early as Jan. 1, 2016.

\* cited by examiner

*Primary Examiner* — Melody N Brown

(74) *Attorney, Agent, or Firm* — Saidman DesignLaw Group, LLC

(57) **CLAIM**

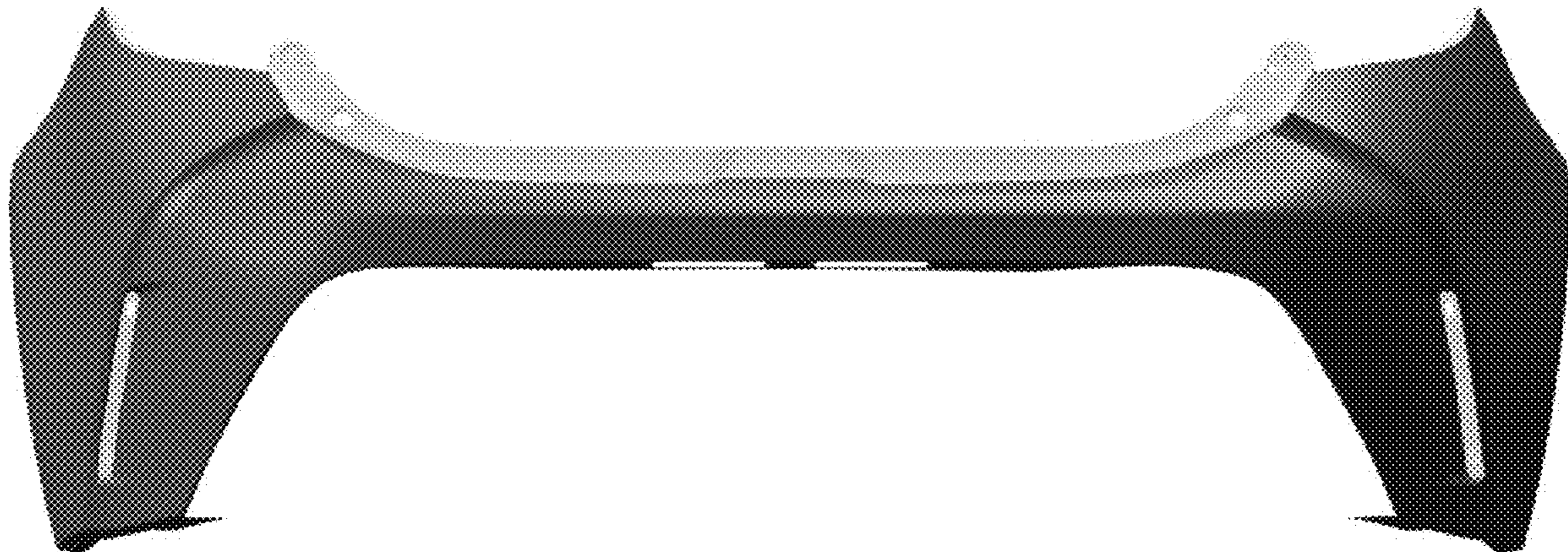
The ornamental design for a rear bumper for an automobile, as shown and described.

**DESCRIPTION**

FIG. 1 is a perspective view of a rear bumper for an automobile showing our new design; FIG. 2 is a front view thereof; FIG. 3 is a rear view thereof; FIG. 4 is a left side view thereof; FIG. 5 is a right side view thereof; FIG. 6 is a top view thereof; and, FIG. 7 is a bottom view thereof.

The claimed design is indicated by the relatively dark portions in the figures. The relatively light portions form no part of the claimed design.

**1 Claim, 7 Drawing Sheets**



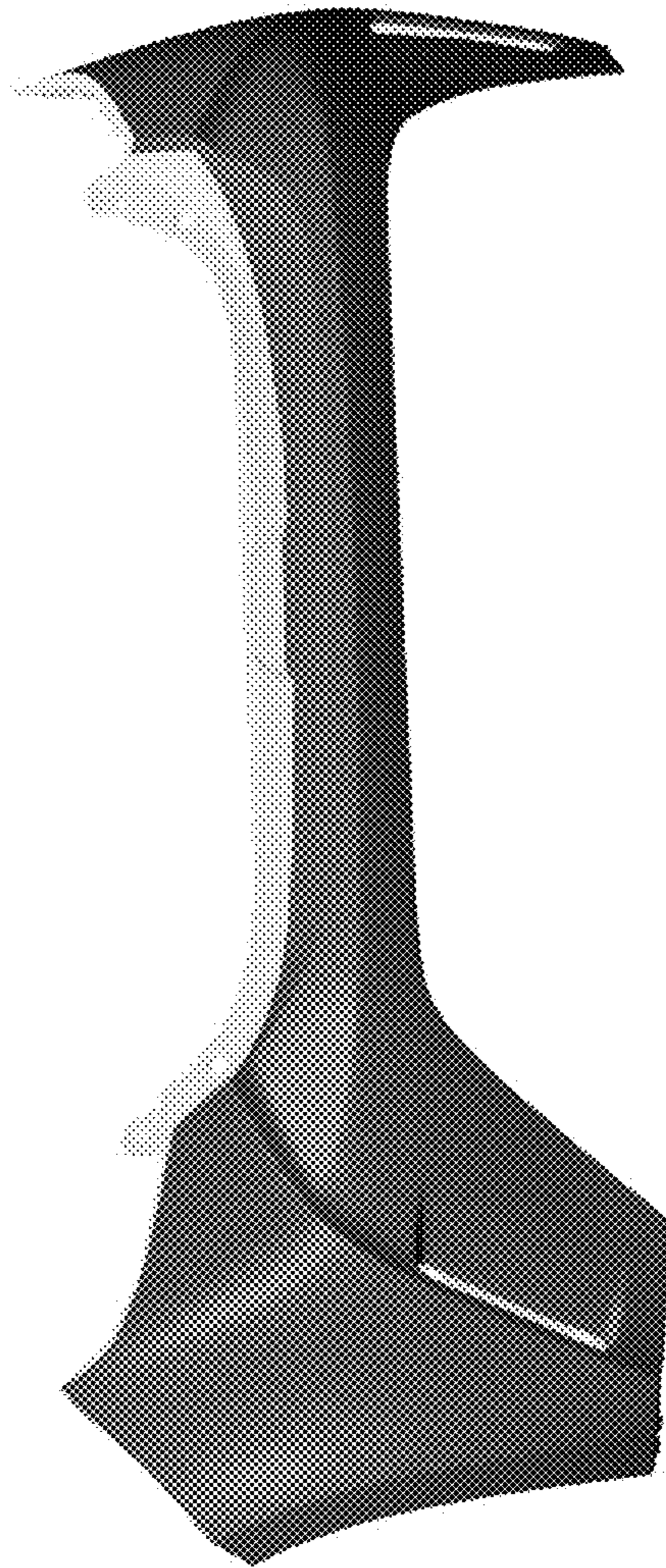


FIG. 1

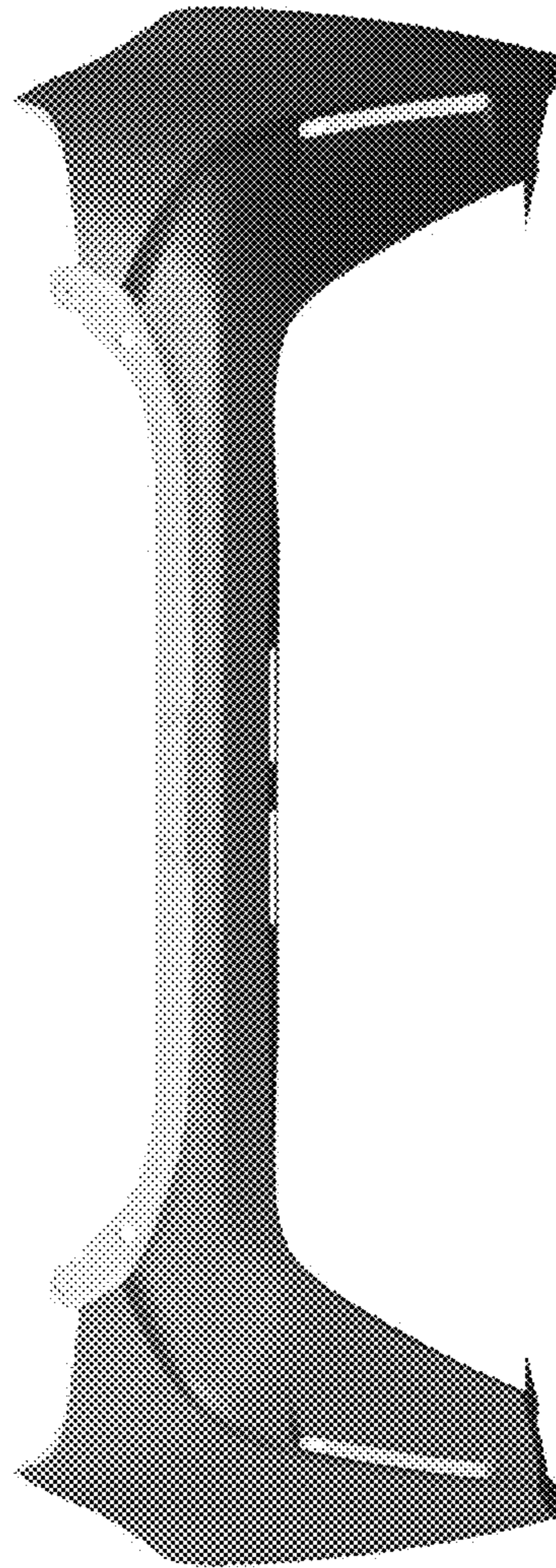


FIG. 2

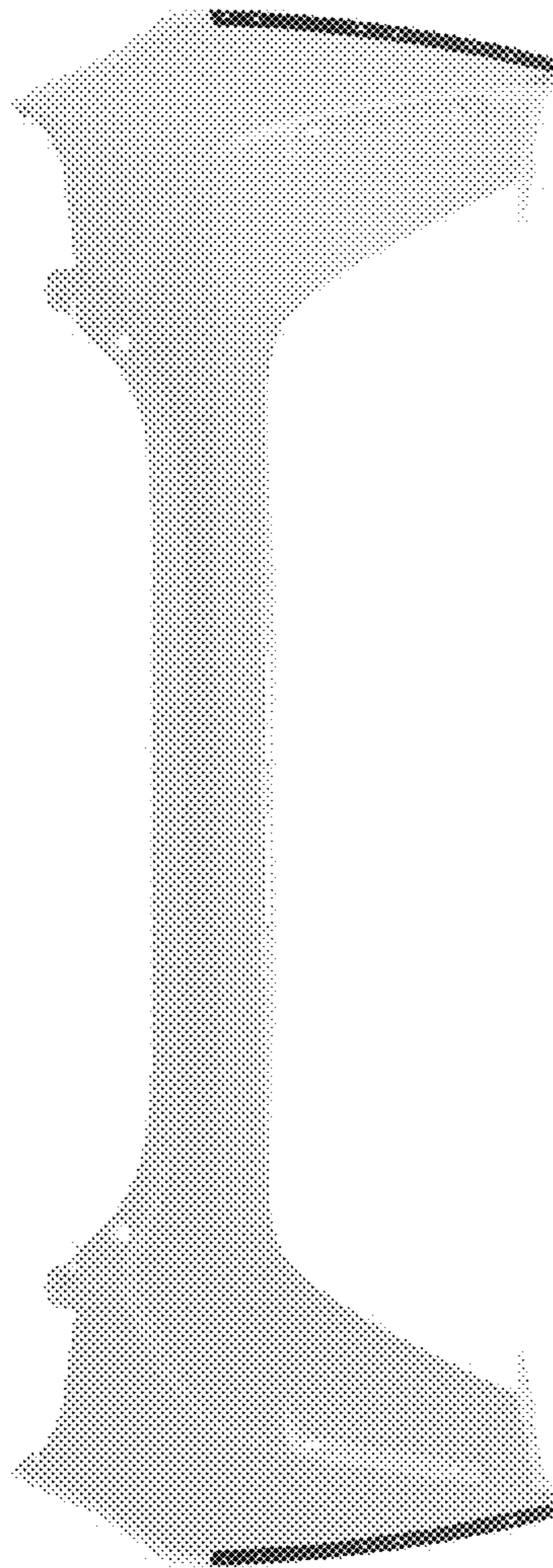


FIG. 3

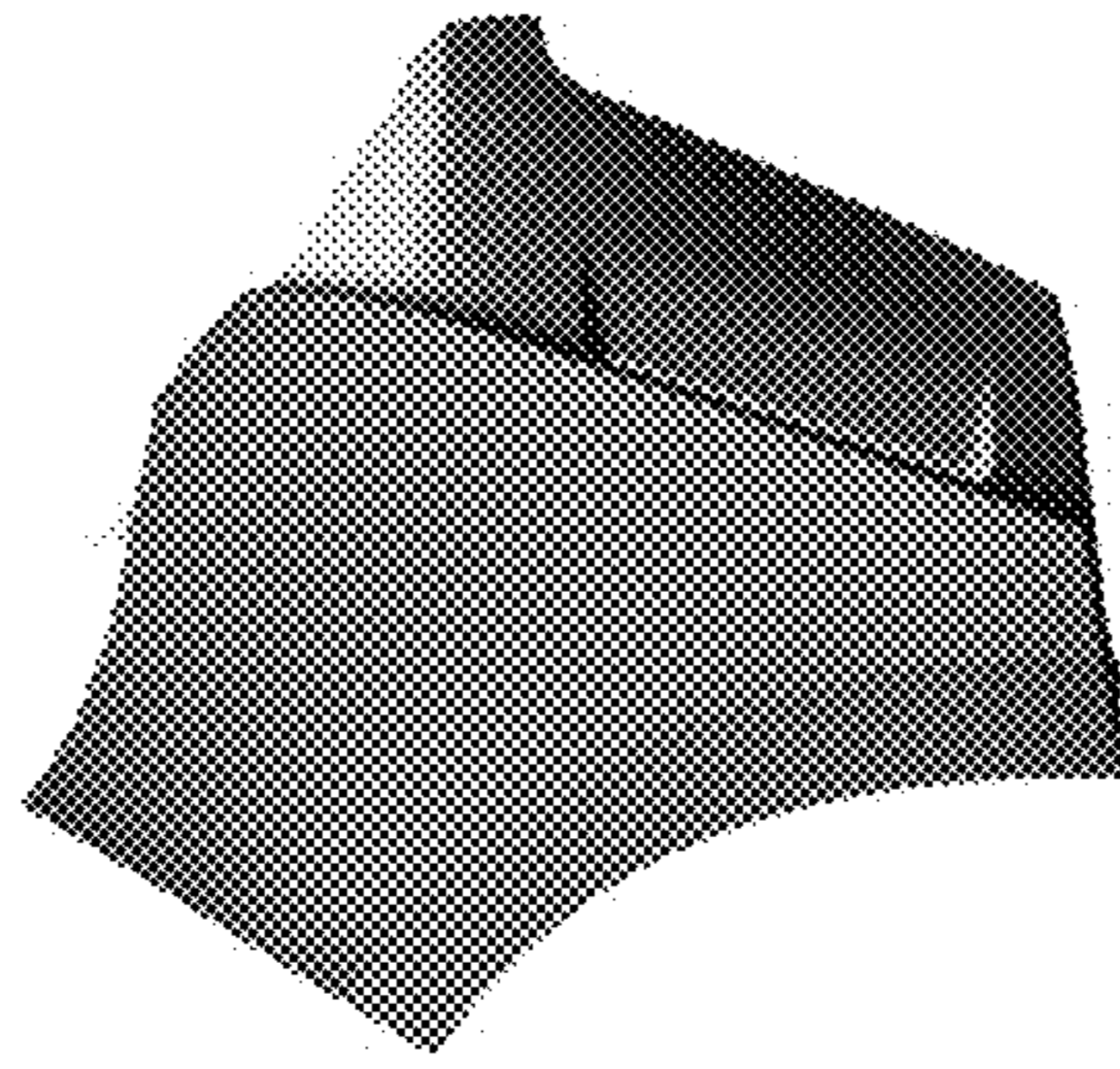


FIG. 4

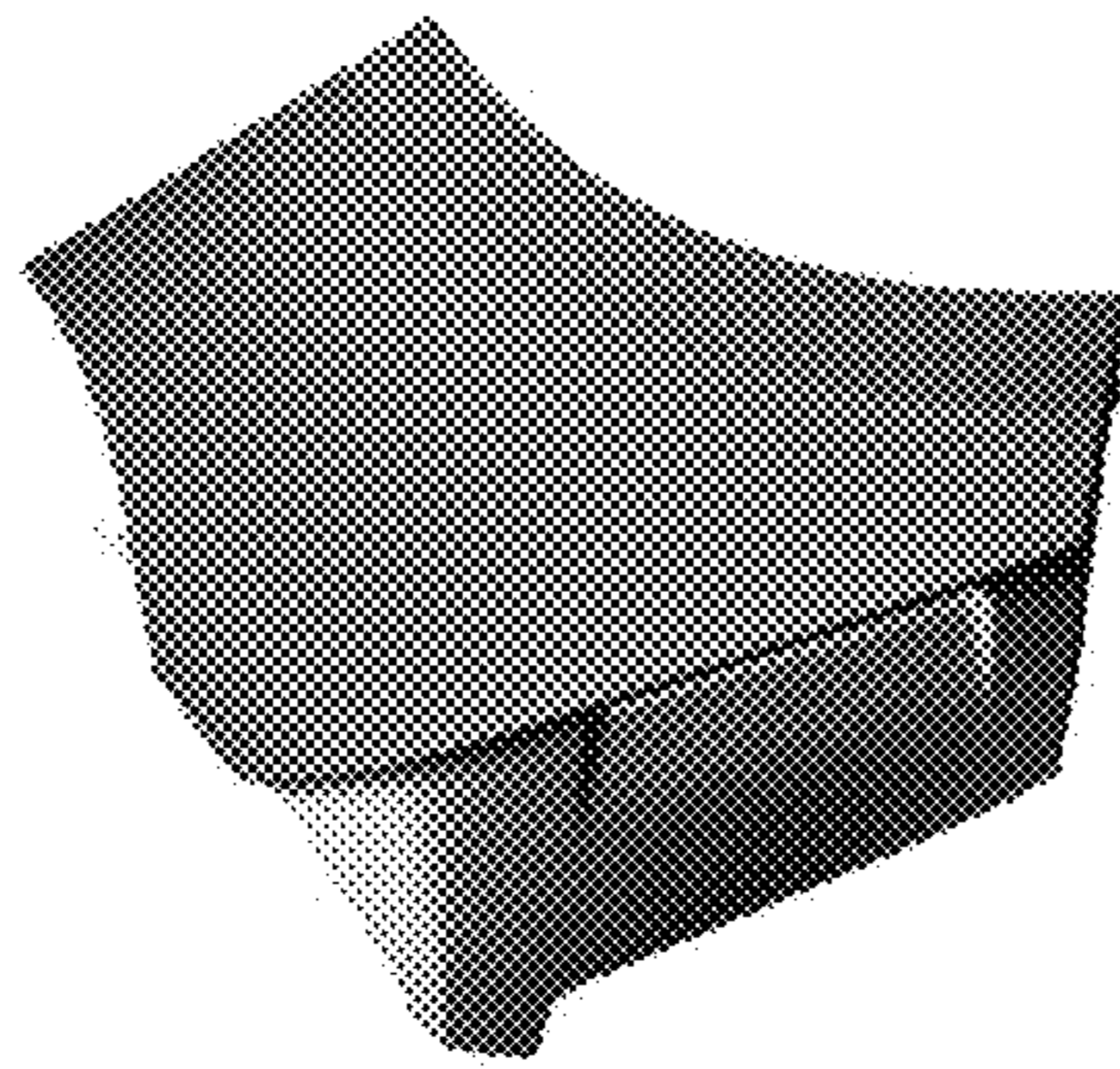


FIG. 5

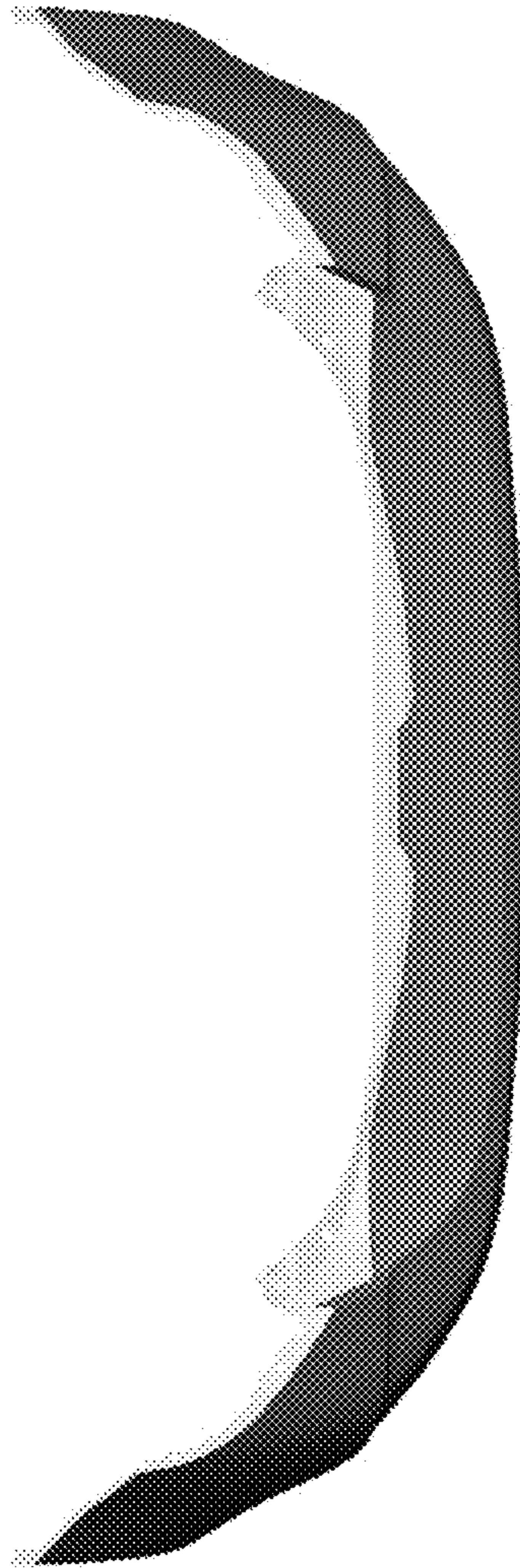


FIG. 6

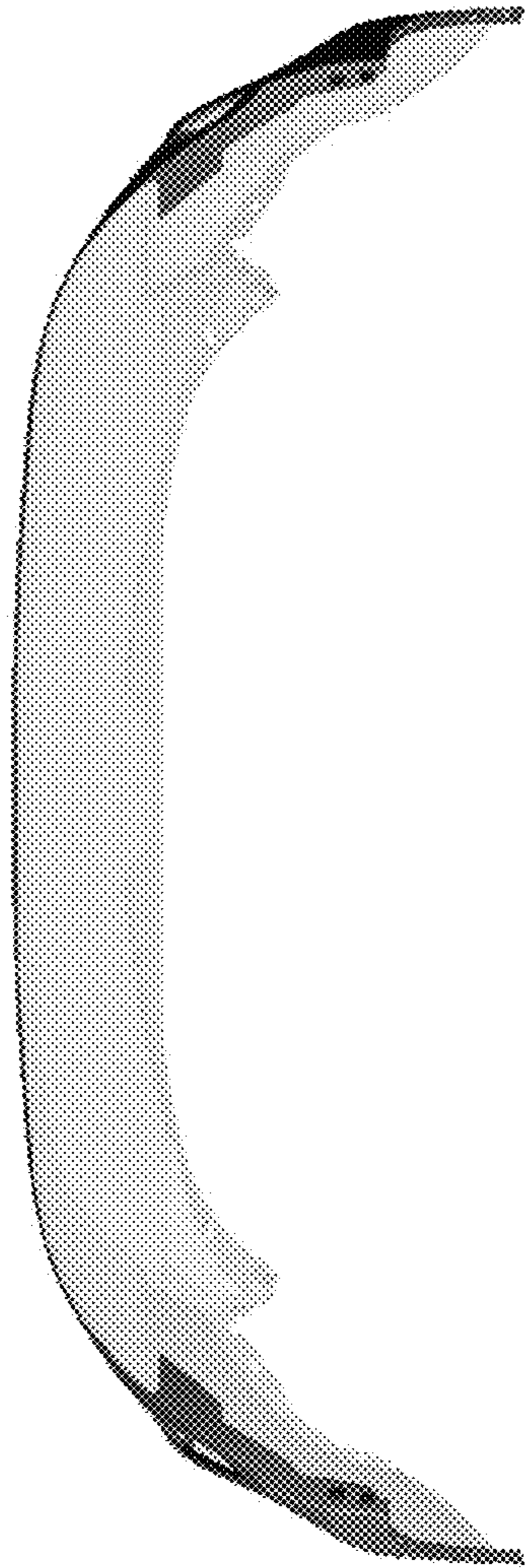


FIG. 7