



US00D882464S

(12) **United States Design Patent**
Takamatsu

(10) **Patent No.:** **US D882,464 S**

(45) **Date of Patent:** **** Apr. 28, 2020**

(54) **FRONT GRILL FOR AN AUTOMOBILE**

(71) Applicant: **Subaru Corporation**, Tokyo (JP)

(72) Inventor: **Yuuki Takamatsu**, Tokyo (JP)

(73) Assignee: **Subaru Corporation**, Tokyo (JP)

(**) Term: **15 Years**

(21) Appl. No.: **29/658,245**

(22) Filed: **Jul. 30, 2018**

(30) **Foreign Application Priority Data**

Jan. 30, 2018 (JP) 2018-001679

(51) **LOC (12) Cl.** **12-16**

(52) **U.S. Cl.**
USPC **D12/163**

(58) **Field of Classification Search**

USPC D12/163, 196, 86, 90-92, 169, 190, 98,
D12/164; 293/102, 113, 115, 117, 120,
293/193.11; 296/180.1, 180.2; 180/68.1,
180/68.6

CPC B60R 19/52; B60K 11/08; B62D 25/08;
B62B 9/16

See application file for complete search history.

(56) **References Cited**

U.S. PATENT DOCUMENTS

D651,141 S * 12/2011 Tachibana D12/163
D665,314 S * 8/2012 Fukui D12/163

D665,315 S * 8/2012 Matsuno D12/163
D665,316 S * 8/2012 Asakura D12/163
D665,710 S * 8/2012 Matsuno D12/163
D672,290 S * 12/2012 Lamm D12/163
D711,789 S * 8/2014 Sahara D12/163
D742,288 S * 11/2015 Murase D12/163
D797,015 S * 9/2017 Nishii D12/163

* cited by examiner

Primary Examiner — Melody N Brown

(74) *Attorney, Agent, or Firm* — Schiff Hardin LLP

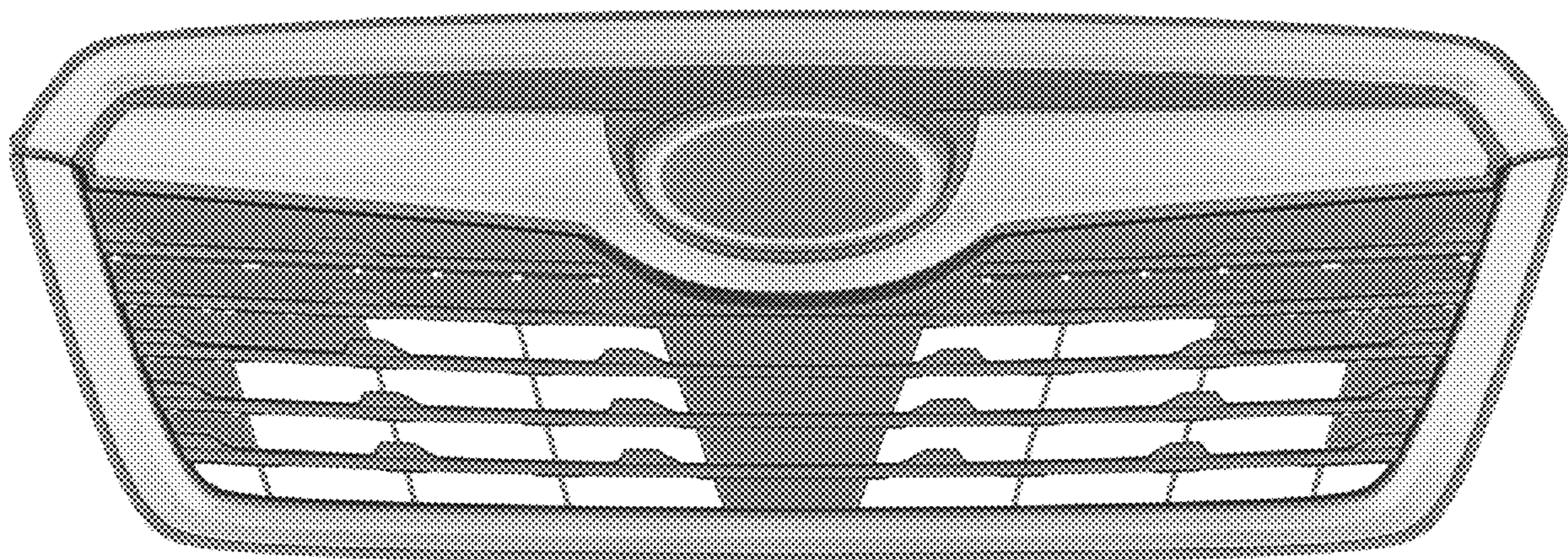
(57) **CLAIM**

The ornamental design for a front grill for an automobile, as shown and described.

DESCRIPTION

FIG. 1 is a front perspective view for a “front grill for an automobile” showing my new design,
FIG. 2 is a rear perspective view thereof,
FIG. 3 is a front view thereof,
FIG. 4 is a rear view thereof,
FIG. 5 is a top view thereof,
FIG. 6 is a bottom view thereof,
FIG. 7 is a left-side view thereof, and,
FIG. 8 is a right-side view thereof.

1 Claim, 8 Drawing Sheets



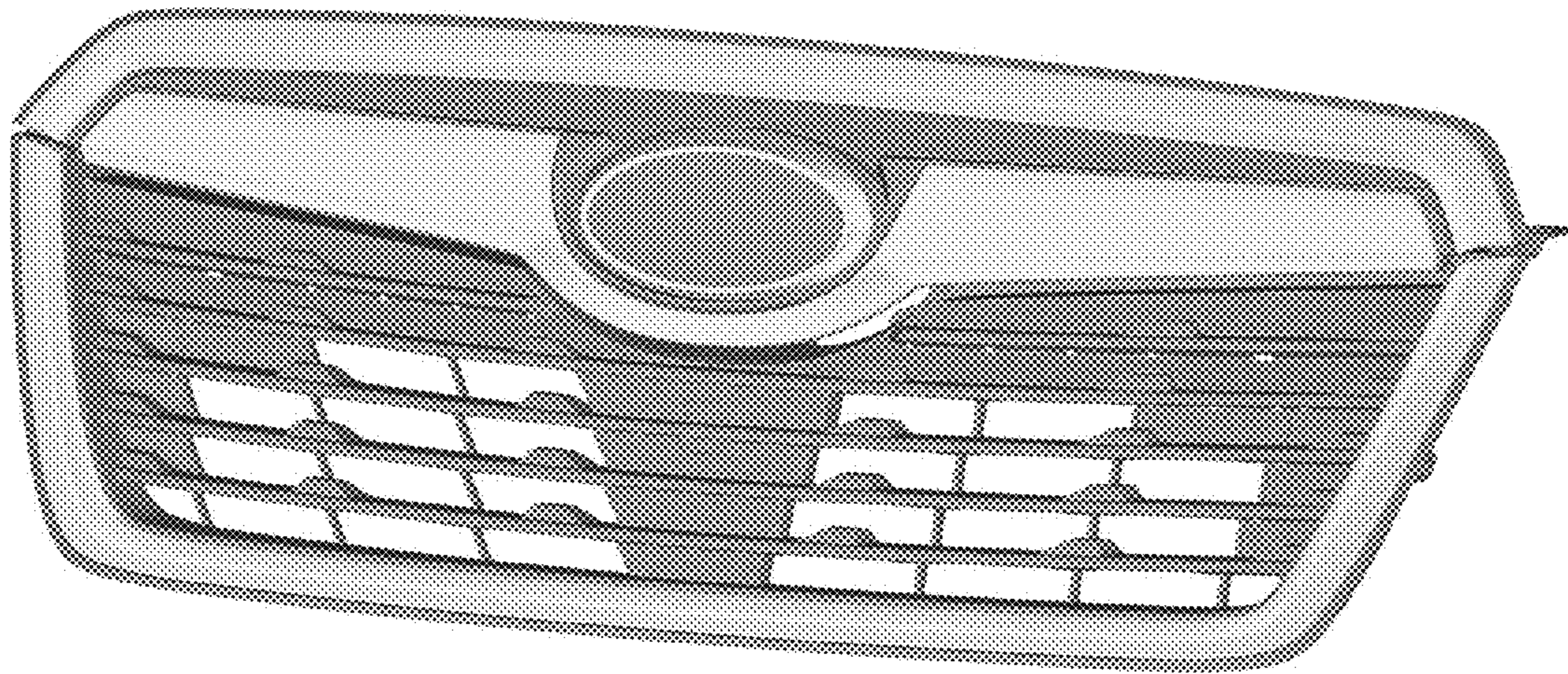


FIG. 1

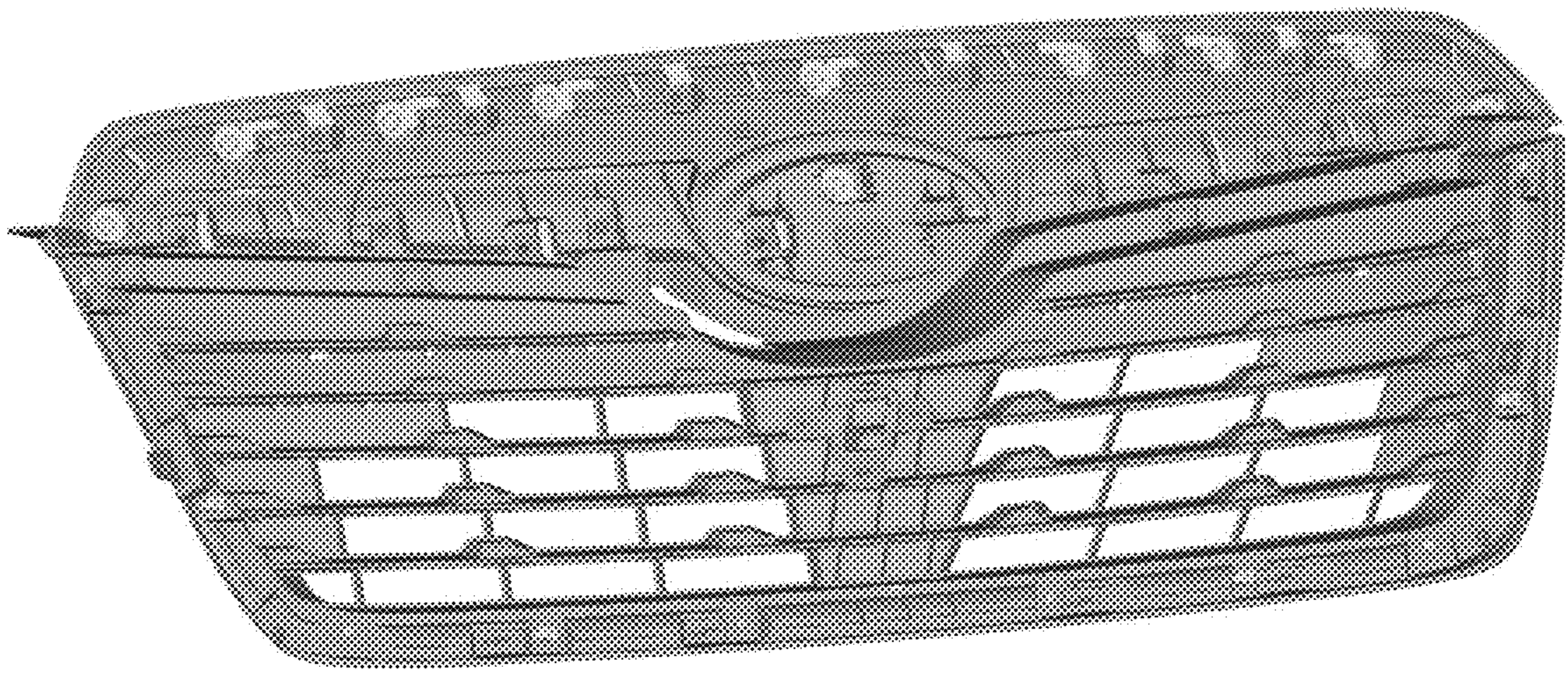


FIG. 2

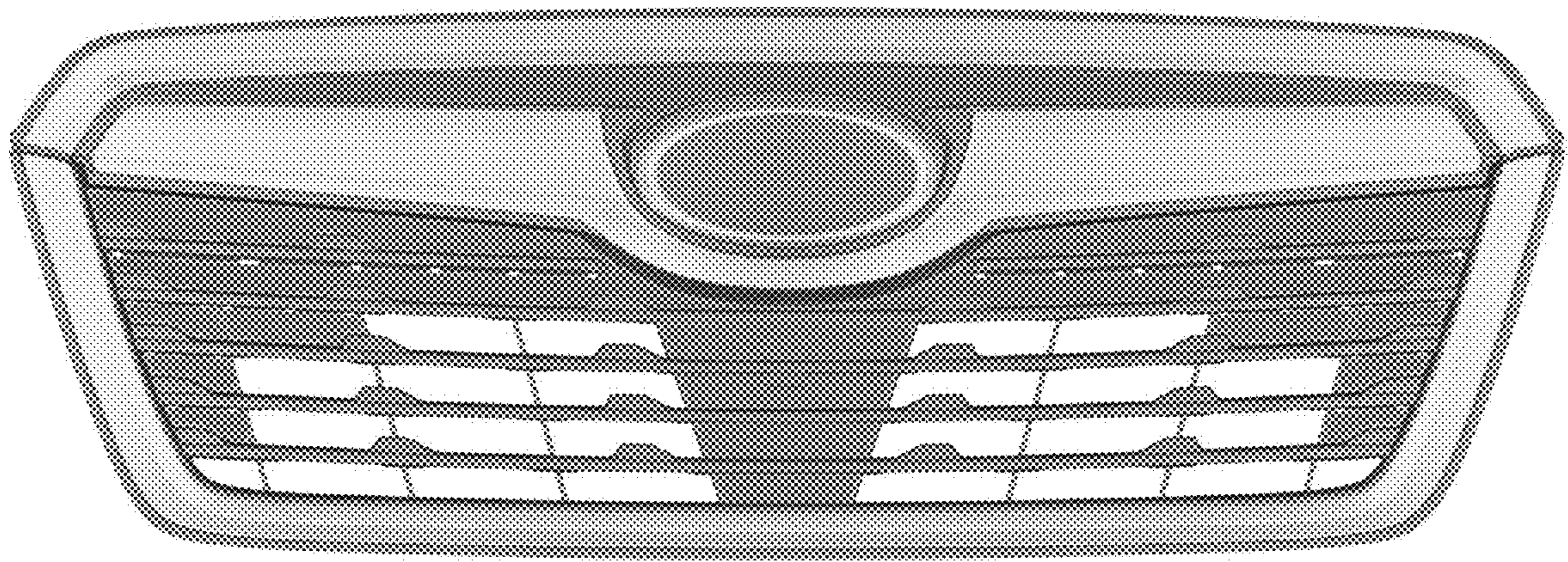


FIG. 3

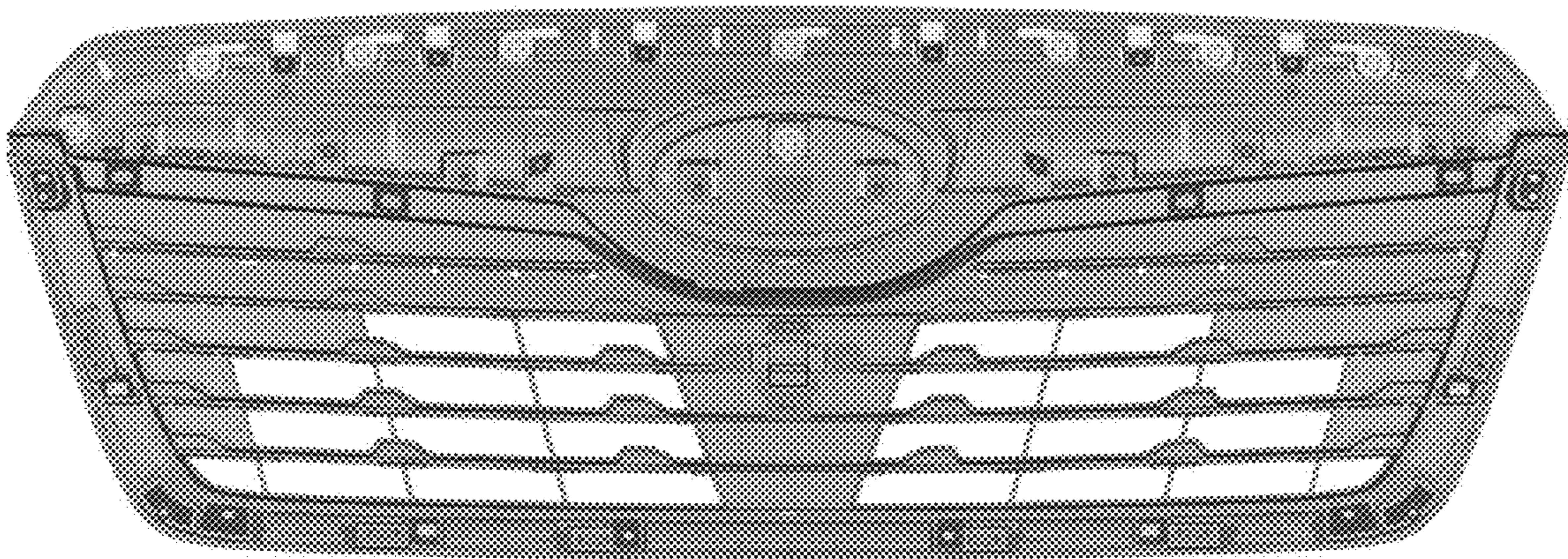


FIG. 4

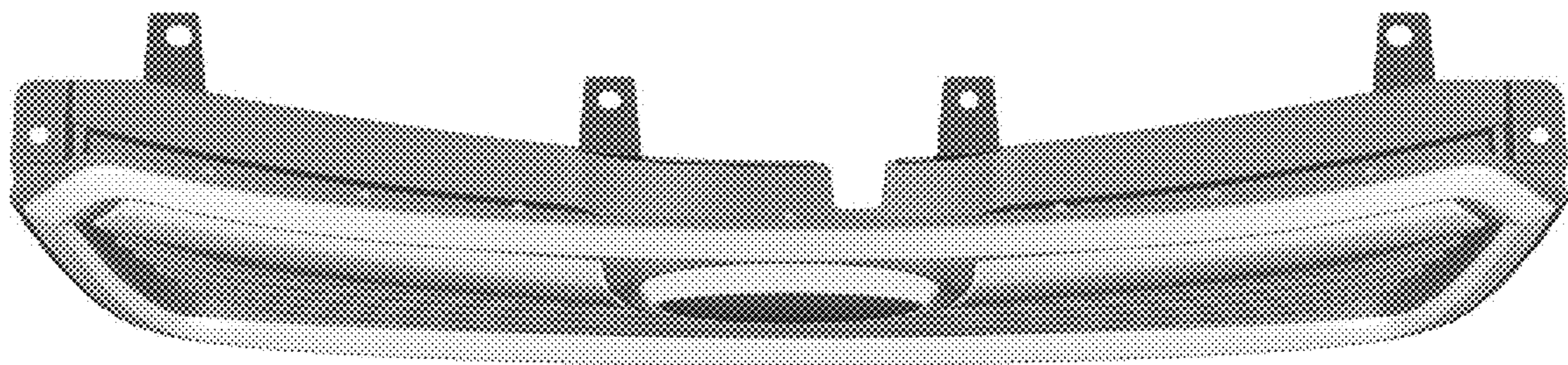


FIG. 5

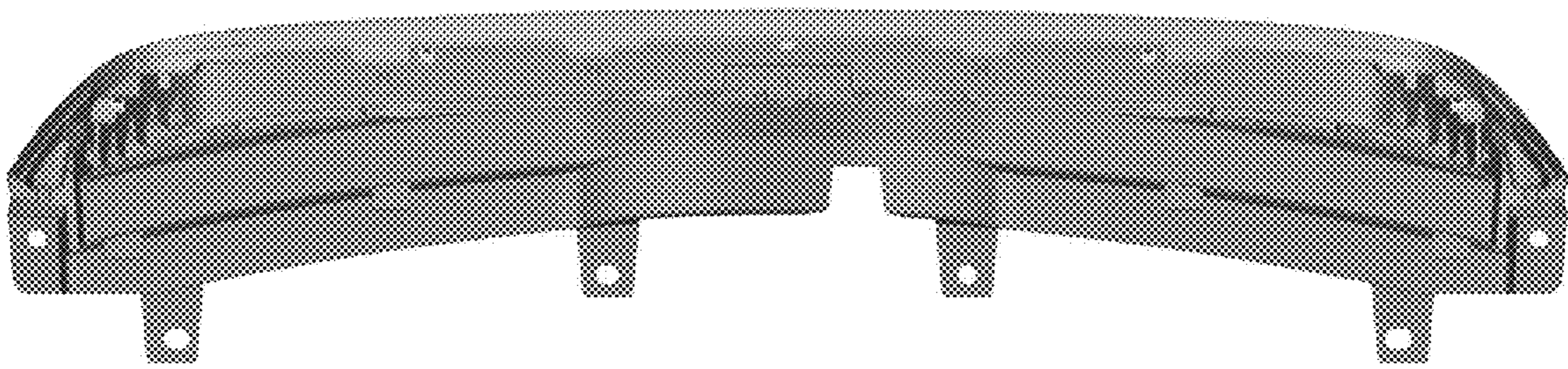


FIG. 6

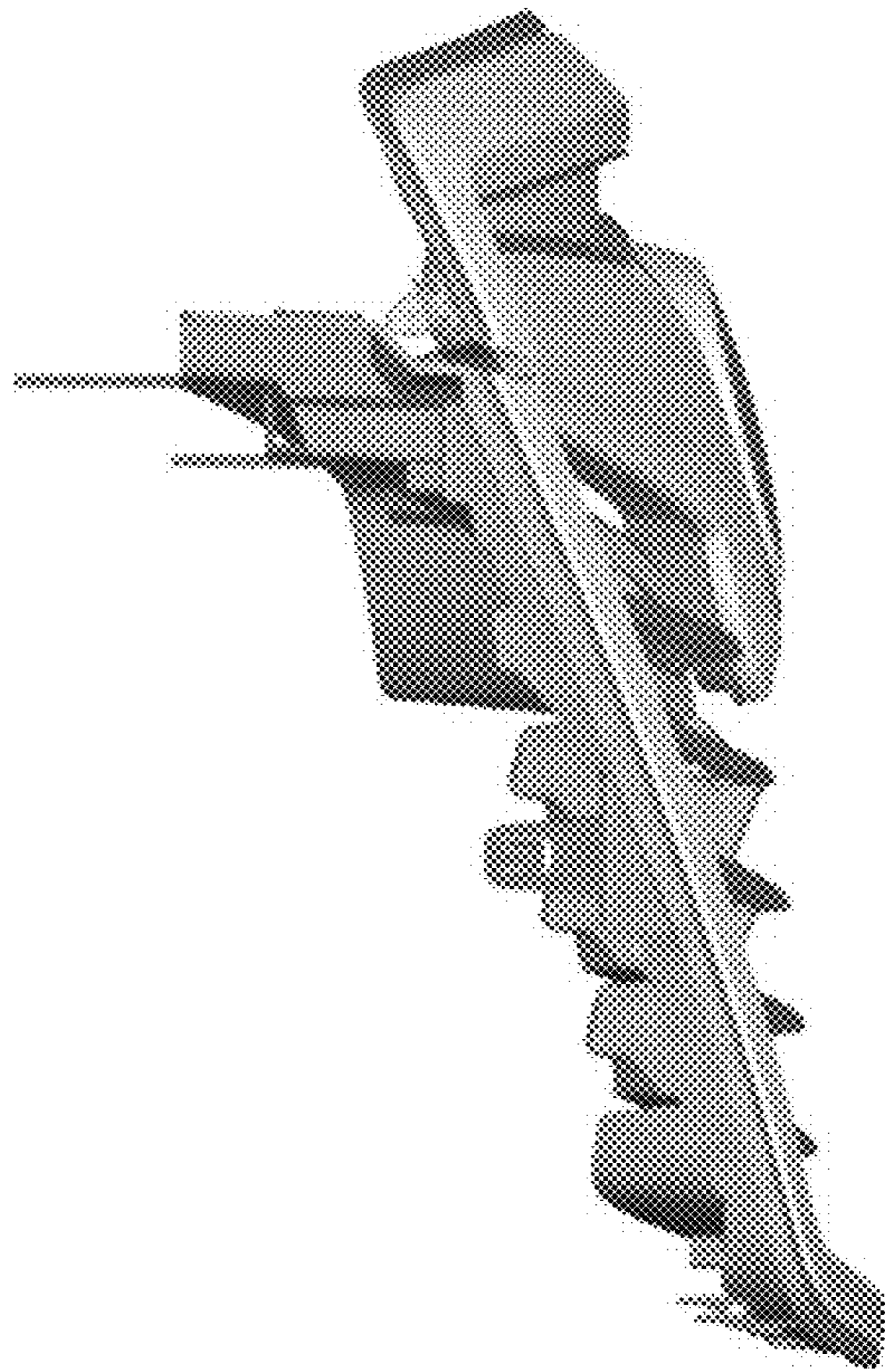


FIG. 7

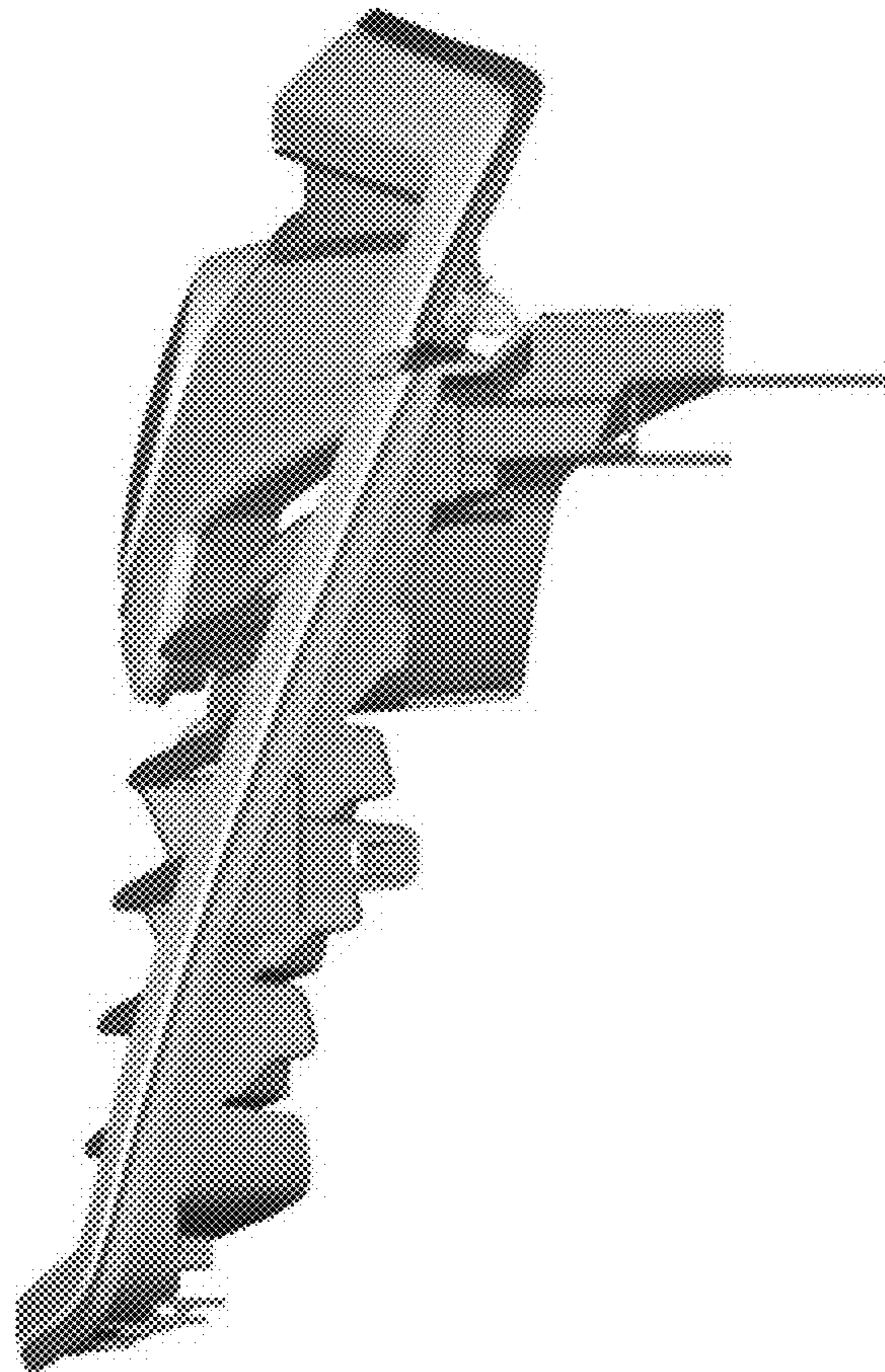


FIG. 8