



US00D882463S

(12) **United States Design Patent**  
**Hurd et al.**

(10) **Patent No.:** **US D882,463 S**

(45) **Date of Patent:** **\*\* Apr. 28, 2020**

(54) **STRAP FORCE DISTRIBUTOR FOR BOX TRAILER EDGE**

(71) Applicant: **Kevin Hurd**, Nipigon (CA)

(72) Inventors: **Kevin Hurd**, Nipigon (CA); **Tyler J. F. Bragnalo**, Thunder Bay (CA)

(73) Assignee: **Kevin Hurd**, Nipigon (CA)

(\*\*) Term: **15 Years**

(21) Appl. No.: **29/640,146**

(22) Filed: **Mar. 12, 2018**

(51) **LOC (12) Cl.** ..... **12-16**

(52) **U.S. Cl.**  
USPC ..... **D12/106**

(58) **Field of Classification Search**  
USPC ..... D12/19, 129, 100-106, 111-112, 162;  
D21/425, 435; D34/21-26, 12, 16-19  
CPC . B62D 35/02; B62D 35/00; B60P 3/10; B60P  
3/1033; A62B 3/005  
See application file for complete search history.

(56) **References Cited**

**U.S. PATENT DOCUMENTS**

D465,033 S *	10/2002	Messier	.....	D25/102
D801,798 S *	11/2017	Teng	.....	D8/403
D814,358 S *	4/2018	Norfleet	.....	D12/106
D837,780 S *	1/2019	Eulette	.....	D14/250

D844,426 S *	4/2019	Mueller	.....	D8/403
D860,058 S *	9/2019	Norfleet	.....	D12/106
D861,540 S *	10/2019	McGugan	.....	D12/106
2008/0066404 A1 *	3/2008	Beard	.....	E04F 19/0486 52/287.1
2008/0149649 A1 *	6/2008	Knupfer	.....	B62B 5/0006 220/694
2009/0250367 A1 *	10/2009	Murdoch	.....	B65D 81/057 206/453
2011/0094174 A1 *	4/2011	Meahl	.....	E04F 19/04 52/288.1

\* cited by examiner

*Primary Examiner* — Katrina A Betton

(74) *Attorney, Agent, or Firm* — Ryan W. Dupuis; Ade & Company Inc; Kyle R Satterthwaite

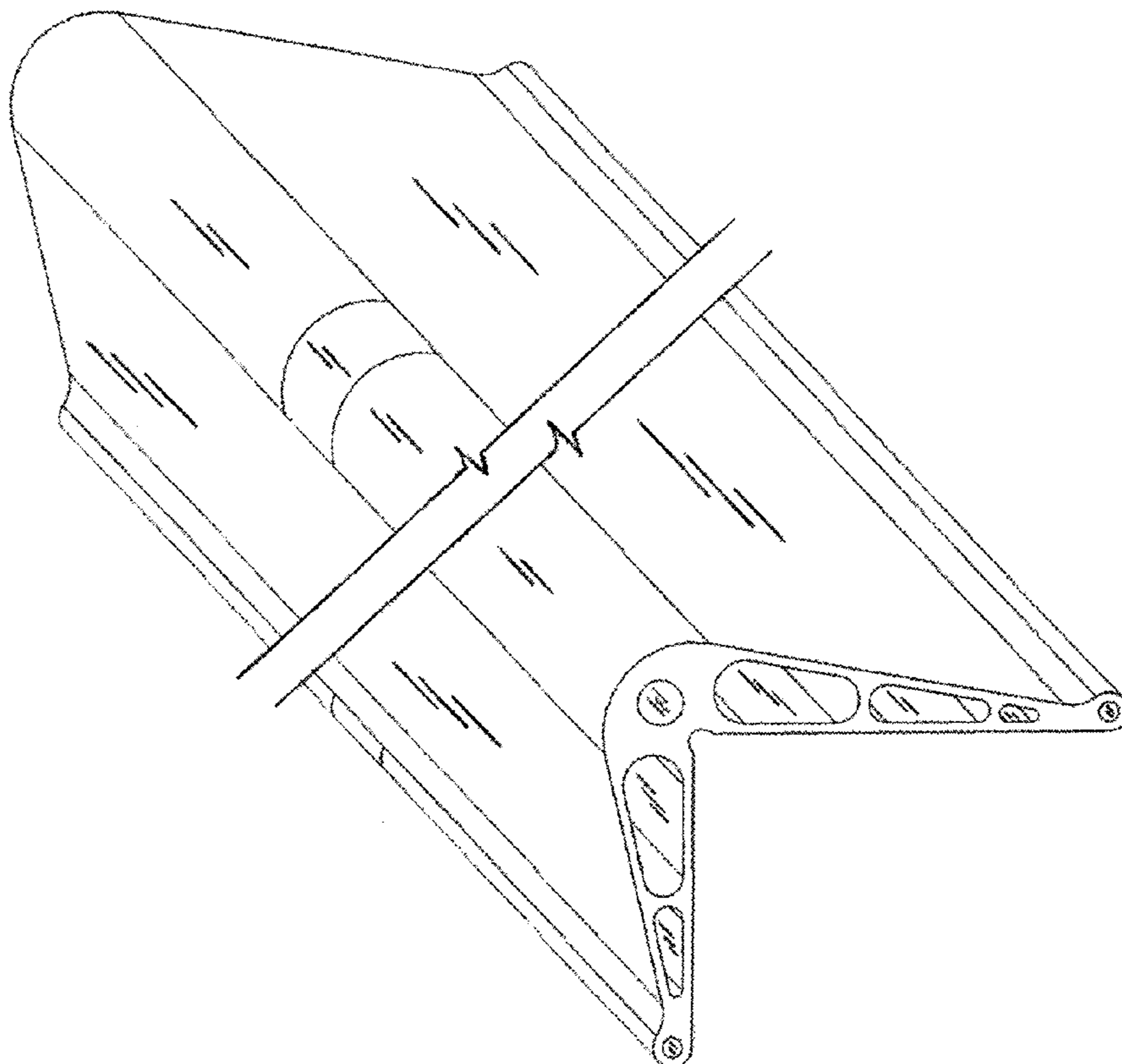
(57) **CLAIM**

The ornamental design for a strap force distributor for box trailer edge, as shown and described.

**DESCRIPTION**

FIG. 1 is a perspective view of the design, showing a top, a front and a left-hand side of the design;  
FIG. 2 is a front elevational view of the design;  
FIG. 3 is a left side elevational view of the design;  
FIG. 4 is a right side elevational view of the design;  
FIG. 5 is a top plan view of the design; and,  
FIG. 6 is a bottom plan view of the design.  
The breaks in the drawing figures show no specific length.

**1 Claim, 3 Drawing Sheets**



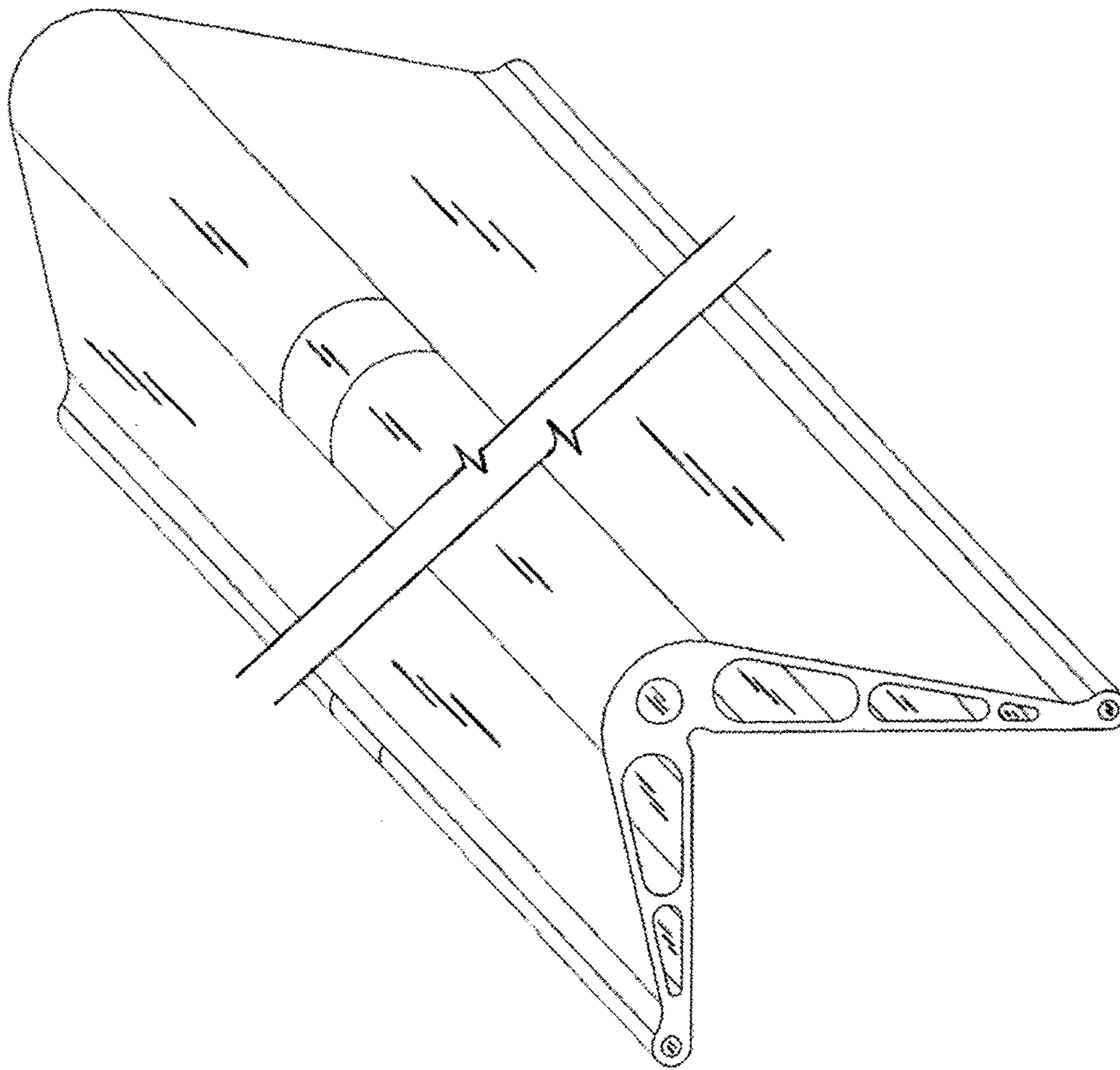


FIG. 1

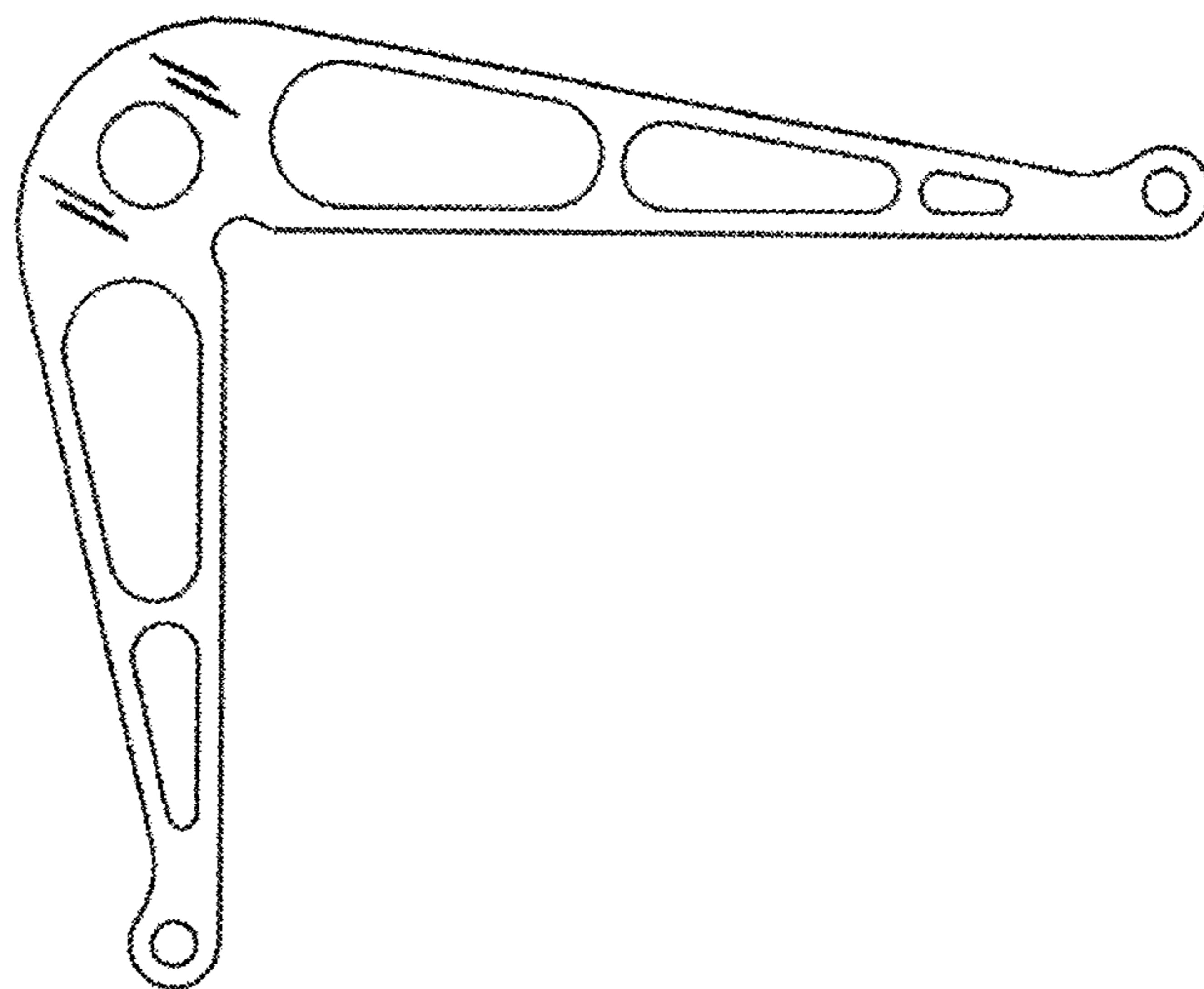


FIG. 2

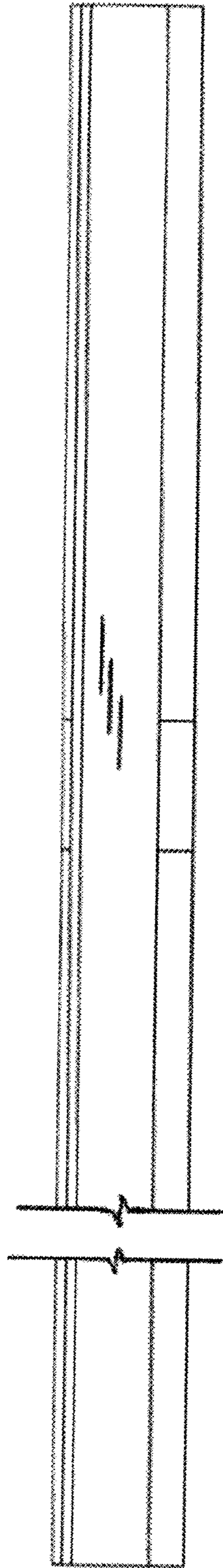


FIG. 3

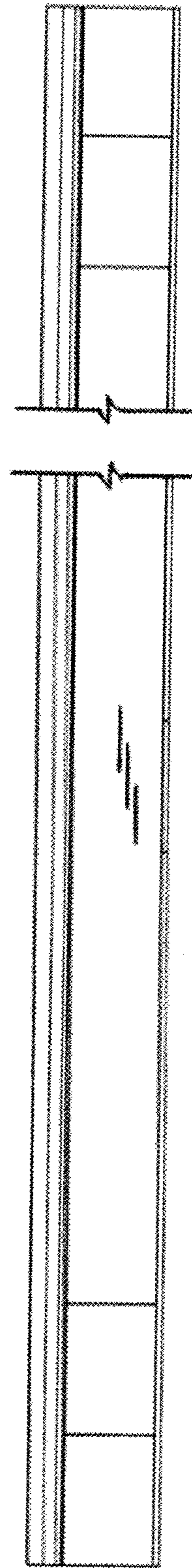


FIG. 4

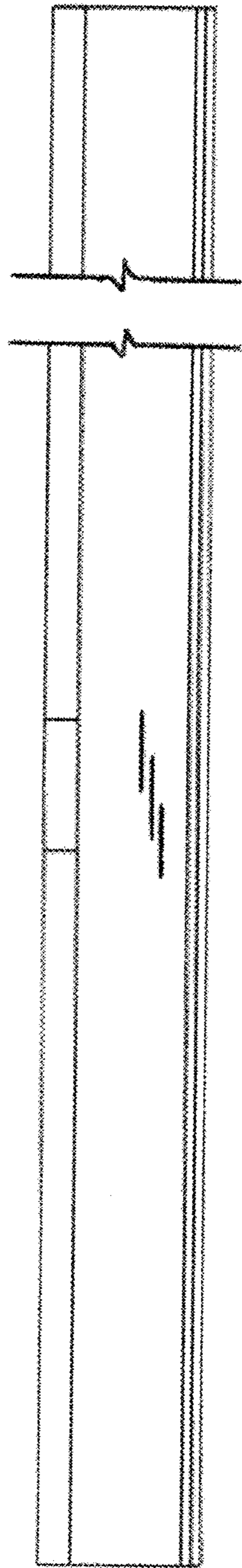


FIG. 5

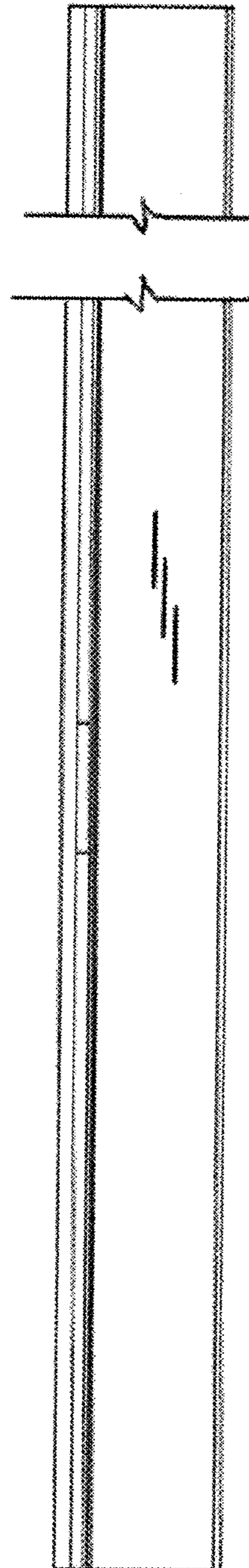


FIG. 6