



US00D882460S

(12) **United States Design Patent**
Chen

(10) **Patent No.:** **US D882,460 S**

(45) **Date of Patent:** **** Apr. 28, 2020**

(54) **UNMANNED AERIAL VEHICLE**

(71) Applicant: **Junxian Chen**, Zhangzhou (CN)

(72) Inventor: **Junxian Chen**, Zhangzhou (CN)

(**) Term: **15 Years**

(21) Appl. No.: **29/695,713**

(22) Filed: **Jun. 21, 2019**

(51) **LOC (12) Cl.** **12-07**

(52) **U.S. Cl.**
USPC **D12/16.1**

(58) **Field of Classification Search**
USPC D12/1, 2, 3, 4, 16.1, 319–345;
D21/437–455
CPC B64C 29/0033; B64C 2201/021; B64C
29/02; B64C 2201/088; B64C 2201/104;
B64C 2201/141
See application file for complete search history.

D813,724 S * 3/2018 Hu D12/16.1
D814,970 S * 4/2018 Chen D12/16.1
D814,971 S * 4/2018 Huang D12/16.1
D816,546 S * 5/2018 Wang D12/16.1
D817,850 S * 5/2018 Xiao D12/328
D818,872 S * 5/2018 Ho D12/16.1
D818,874 S * 5/2018 Tian D12/16.1
D819,749 S * 6/2018 Caubel D21/449
D830,896 S * 10/2018 Lutterodt D12/16.1
D843,267 S * 3/2019 Gao D12/16.1
D849,154 S * 5/2019 Zhao D21/436
D850,978 S * 6/2019 Gao D12/16.1
10,317,915 B2 * 6/2019 Tankersley G05D 1/0094
D852,673 S * 7/2019 Chen D12/16.1
D853,279 S * 7/2019 Gan D12/16.1
D854,448 S * 7/2019 Chen D12/16.1
D856,848 S * 8/2019 Kim D12/16.1
D858,353 S * 9/2019 Gan D12/16.1
D860,047 S * 9/2019 Gan D12/16.1
D860,048 S * 9/2019 Caubel D12/16.1
D861,573 S * 10/2019 He D12/328
D864,022 S * 10/2019 Gan D12/16.1
D864,082 S * 10/2019 Zhou D12/328

(Continued)

Primary Examiner — Marissa J Cash

(56) **References Cited**
U.S. PATENT DOCUMENTS

D628,658 S * 12/2010 Wurm D21/442
D710,454 S * 8/2014 Barajas D12/16.1
D741,779 S * 10/2015 Hsiao D12/16.1
D768,539 S * 10/2016 Lee D12/16.1
D772,991 S * 11/2016 Caubel D12/16.1
D793,486 S * 8/2017 Lee D21/453
D795,741 S * 8/2017 Li D12/16.1
D795,742 S * 8/2017 Li D12/16.1
D795,743 S * 8/2017 Li D12/16.1
D795,967 S * 8/2017 Haley D12/16.1
D797,602 S * 9/2017 Li D12/16.1
D798,961 S * 10/2017 Li D21/441
D803,098 S * 11/2017 Lee D12/16.1
D803,328 S * 11/2017 Lee D21/441
D805,431 S * 12/2017 Li D12/16.1
D806,606 S * 1/2018 Morrison D12/16.1
D813,723 S * 3/2018 Ahn D12/16.1

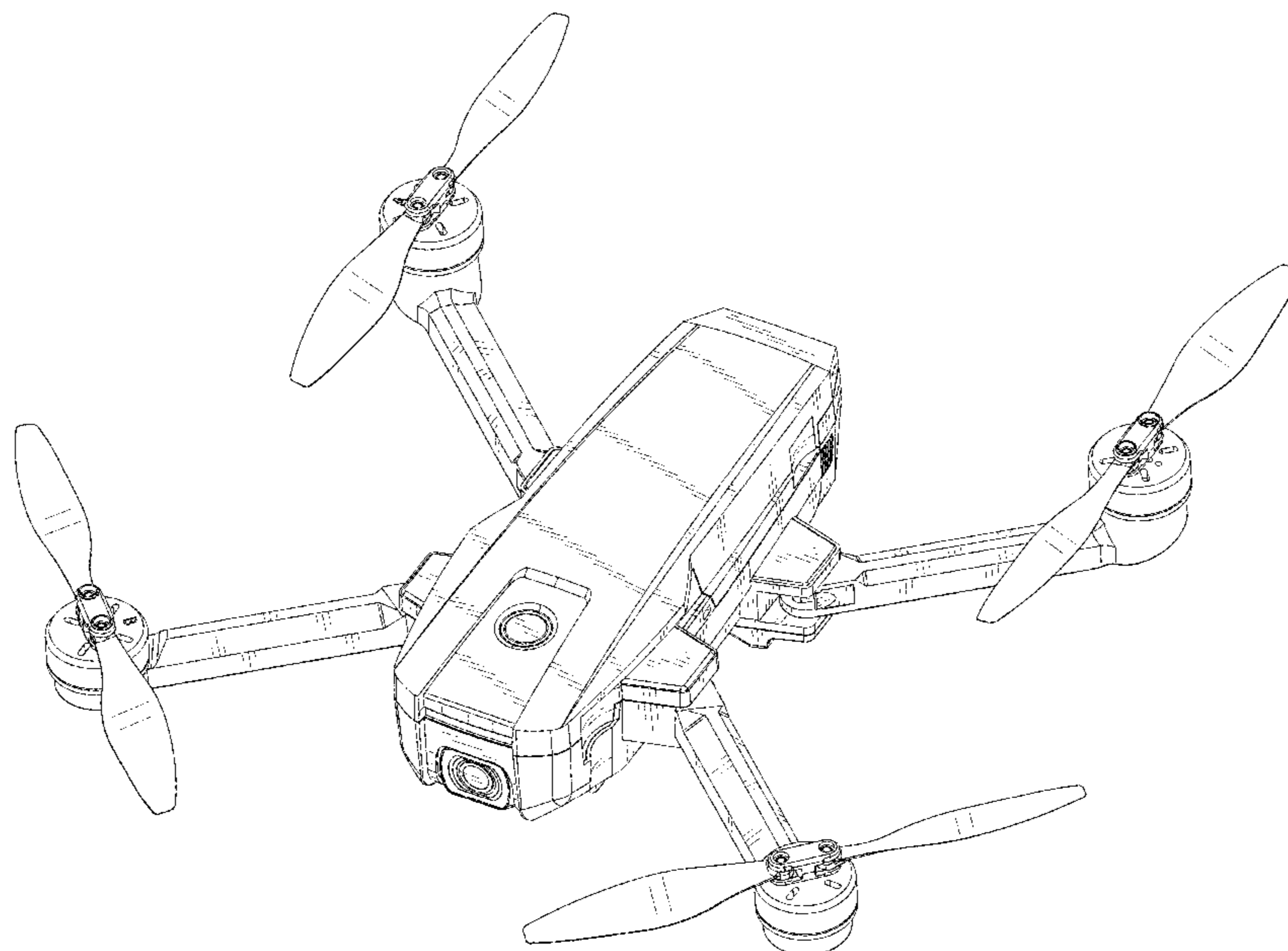
(57) **CLAIM**

The ornamental design for a unmanned aerial vehicle, as shown and described.

DESCRIPTION

FIG. 1 is a front, top perspective view of the unmanned aerial vehicle showing my new design;
FIG. 2 is a rear, bottom perspective view thereof;
FIG. 3 is a front elevational view thereof;
FIG. 4 is a rear elevational view thereof;
FIG. 5 is a left side elevational view thereof;
FIG. 6 is a right side elevational view thereof;
FIG. 7 is a top plan view thereof; and,
FIG. 8 is a bottom plan view thereof.

1 Claim, 8 Drawing Sheets



(56)

References Cited

U.S. PATENT DOCUMENTS

| | | | | | | |
|--------------|----|---|---------|-------|-------|-------------|
| D864,083 | S | * | 10/2019 | Zhou | | D12/328 |
| D866,396 | S | * | 11/2019 | Chen | | D12/16.1 |
| D869,375 | S | * | 12/2019 | Kim | | D12/328 |
| D873,175 | S | * | 1/2020 | Li | | D12/16.1 |
| D874,973 | S | * | 2/2020 | Zhou | | D12/16.1 |
| D874,974 | S | * | 2/2020 | Zhou | | D12/16.1 |
| 2017/0001721 | A1 | * | 1/2017 | Saika | | B64C 39/024 |
| 2018/0149947 | A1 | * | 5/2018 | Kim | | G05D 1/0038 |

* cited by examiner

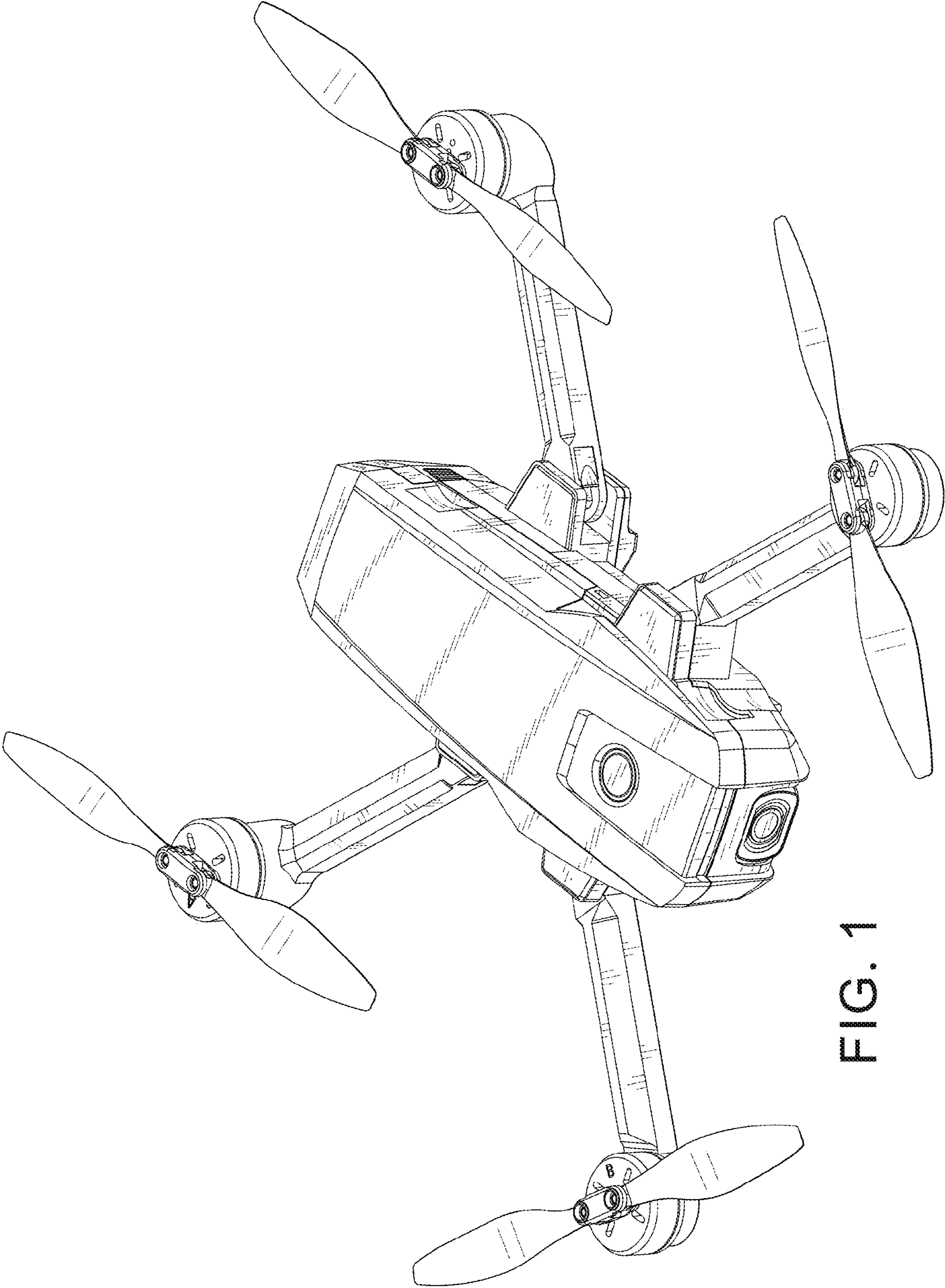


FIG. 1

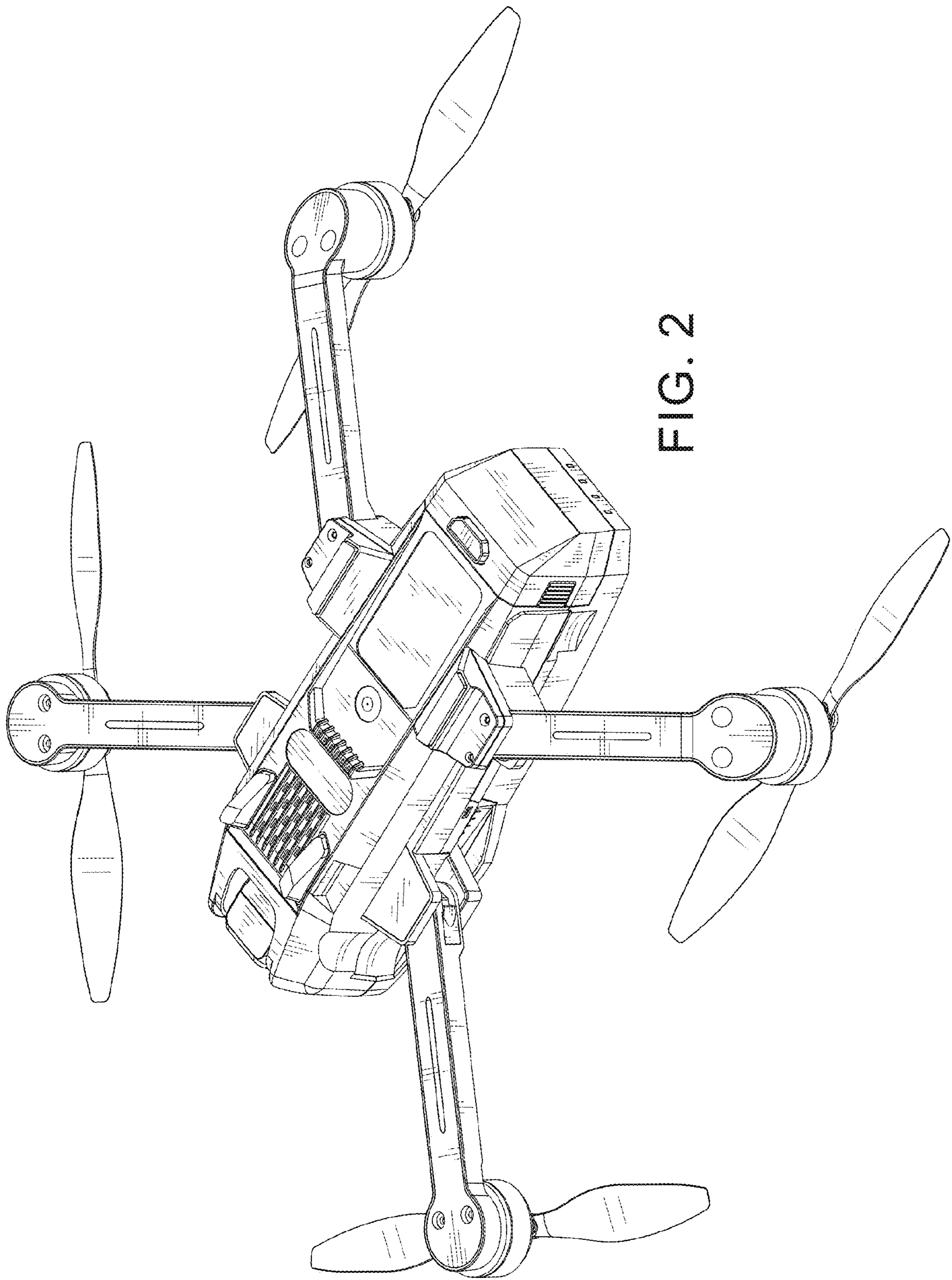
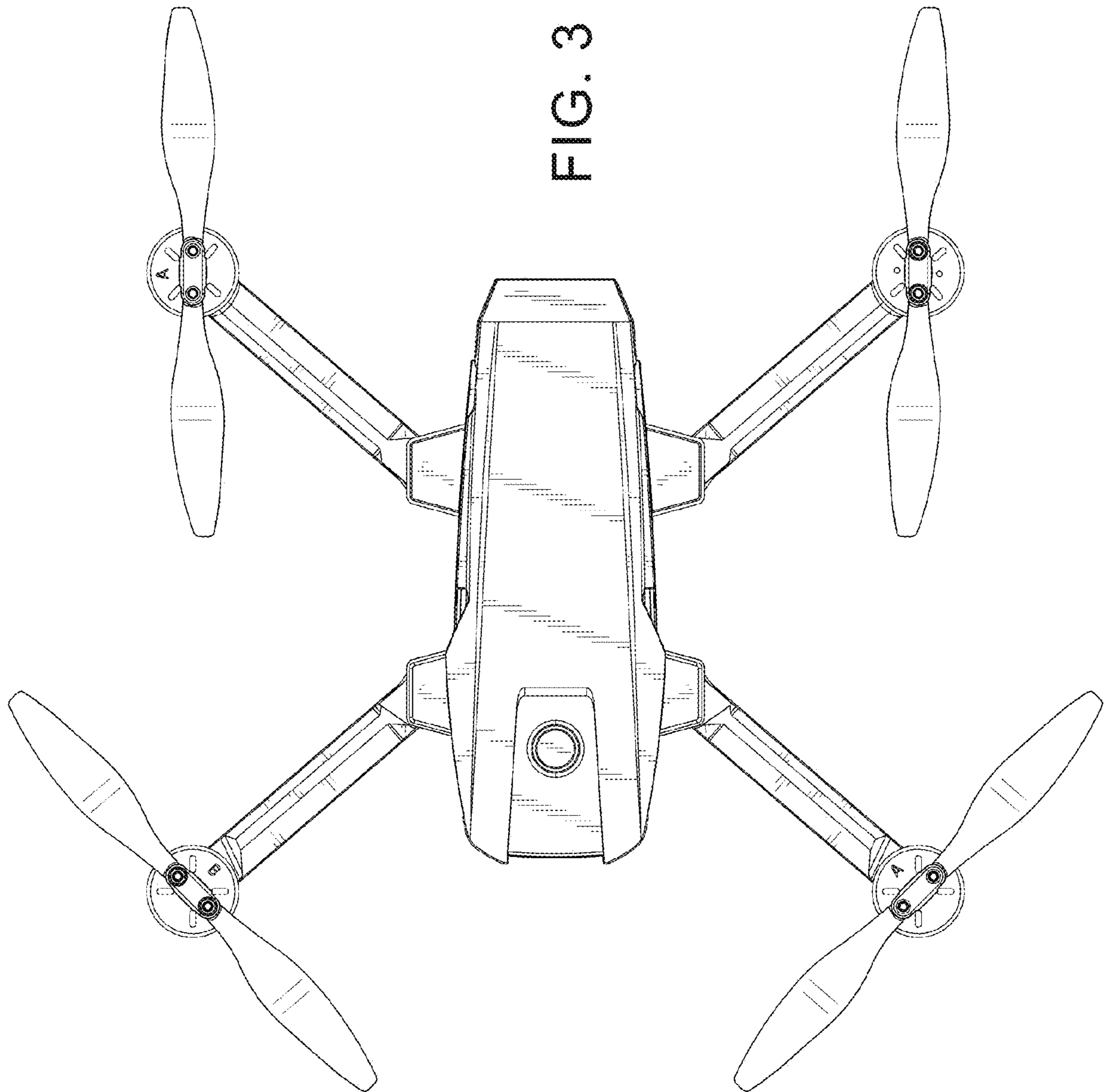
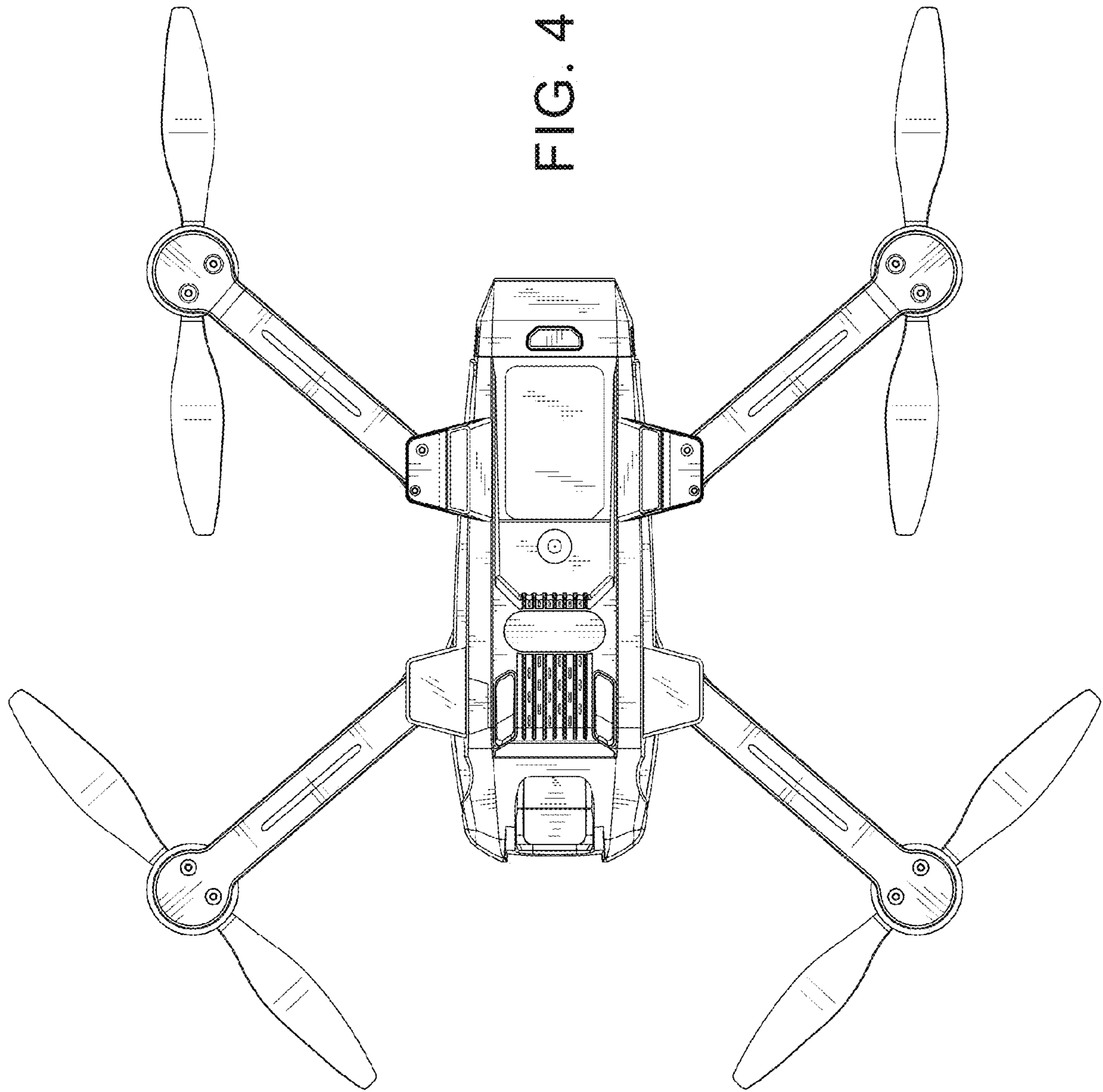


FIG. 2





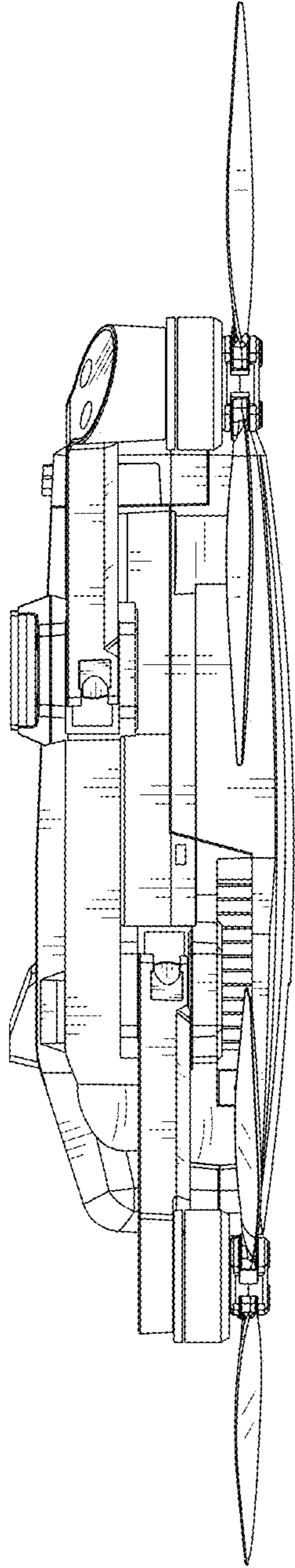


FIG. 5

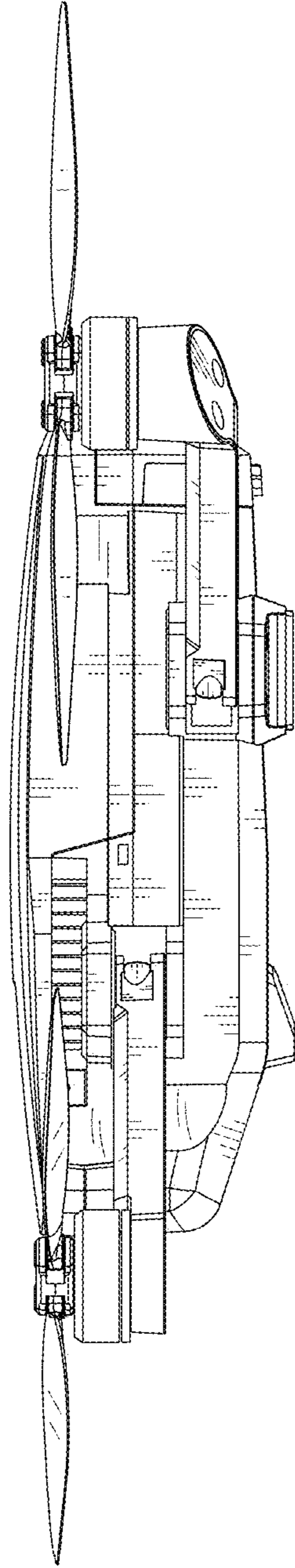


FIG. 6

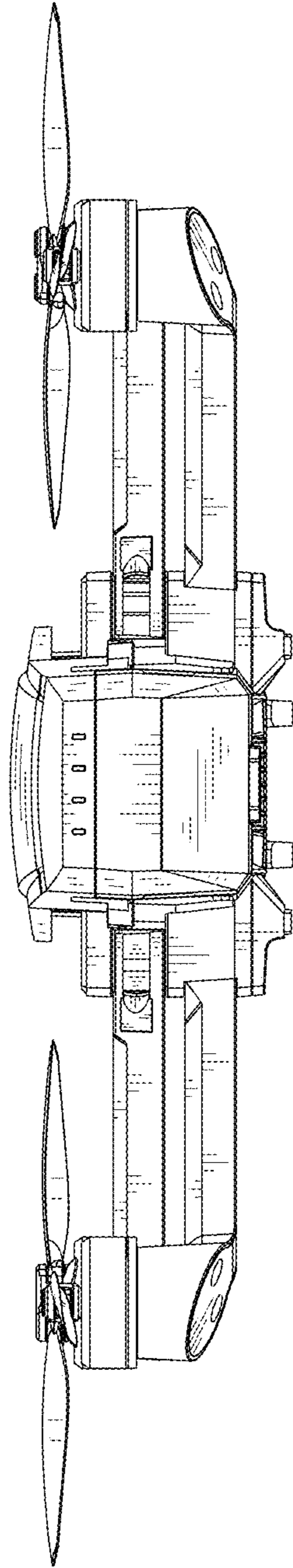


FIG. 7

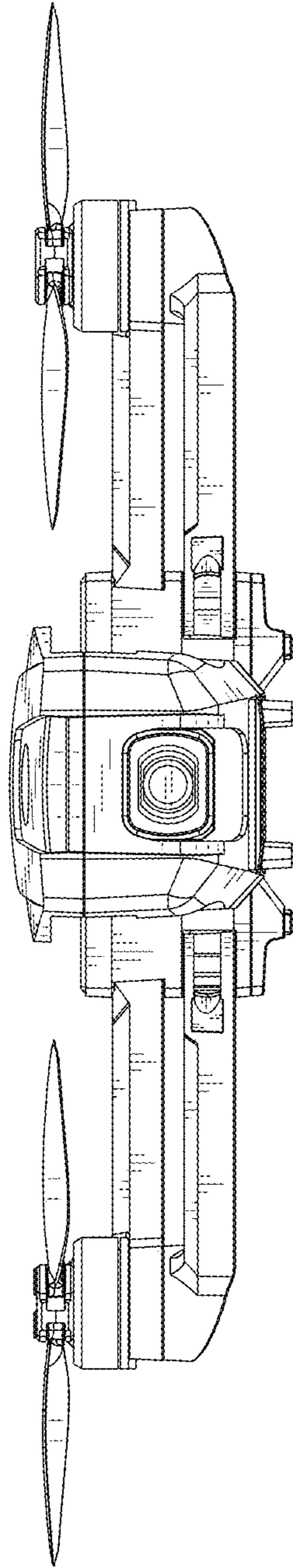


FIG. 8