



US00D882459S

(12) **United States Design Patent** (10) **Patent No.:** **US D882,459 S**
Fildan et al. (45) **Date of Patent:** **** Apr. 28, 2020**

(54) **GARMENT FASTENER** 2,013,997 A * 9/1935 Freysinger A44B 11/2588
24/313
(71) Applicants: **Gerhard Fildan**, Vienna (AT); **Karl Wanzenböck**, Teesdorf (AT) 2,346,887 A 4/1944 Winkler
3,445,901 A 5/1969 Kamper
3,836,049 A * 9/1974 Smith A44B 11/2588
24/587.12
(72) Inventors: **Gerhard Fildan**, Vienna (AT); **Karl Wanzenböck**, Teesdorf (AT) 4,000,544 A * 1/1977 Fildan A41C 3/02
24/588.12
4,161,806 A * 7/1979 Hennisse A41F 1/006
24/586.11
(73) Assignee: **Dubrosky & Tracy Patent Services Corp.**, Central (HK) 4,204,300 A 5/1980 Fildan
D274,862 S 7/1984 Fildan
4,633,549 A 1/1987 Lovato
D341,336 S * 11/1993 Stathis D11/216
D349,473 S * 8/1994 Fildan D11/212
(**) Term: **15 Years**
(21) Appl. No.: **29/652,005**
(22) Filed: **Apr. 25, 2018**
(Continued)

Related U.S. Application Data

(63) Continuation of application No. 15/390,242, filed on Dec. 23, 2016, now Pat. No. 10,231,519, which is a continuation-in-part of application No. 15/374,317, filed on Dec. 9, 2016, now Pat. No. 10,136,690.
(51) **LOC (12) Cl.** **02-07**
(52) **U.S. Cl.**
USPC **D11/216**
(58) **Field of Classification Search**
USPC D11/200, 201, 210, 216-219; D30/152, D30/155; D2/706
CPC A44B 11/04; A44B 11/06; A44B 11/25; A44B 11/258; A44B 11/2588; A44B 11/2592; A44B 11/2596; A44B 11/26; A44B 11/263; A44B 11/266; A44B 17/0023; A44B 99/005; A41F 1/002; A41F 1/006; A41F 1/008; A01K 11/00; A01K 11/08; A01K 27/001; Y10T 24/45948
See application file for complete search history.

References Cited

(56) **U.S. PATENT DOCUMENTS**
D64,374 S * 4/1924 Schaaff A44B 11/2588
D11/218
1,851,730 A 3/1932 Rutherford

FOREIGN PATENT DOCUMENTS

EM 002855593-0001 S 3/2018
JP 2004218119 A 8/2004

Primary Examiner — Kevin K Rudzinski
Assistant Examiner — Clare Ann Gannon
(74) *Attorney, Agent, or Firm* — Kintner IP, LLC; Mary Frances Ludwig

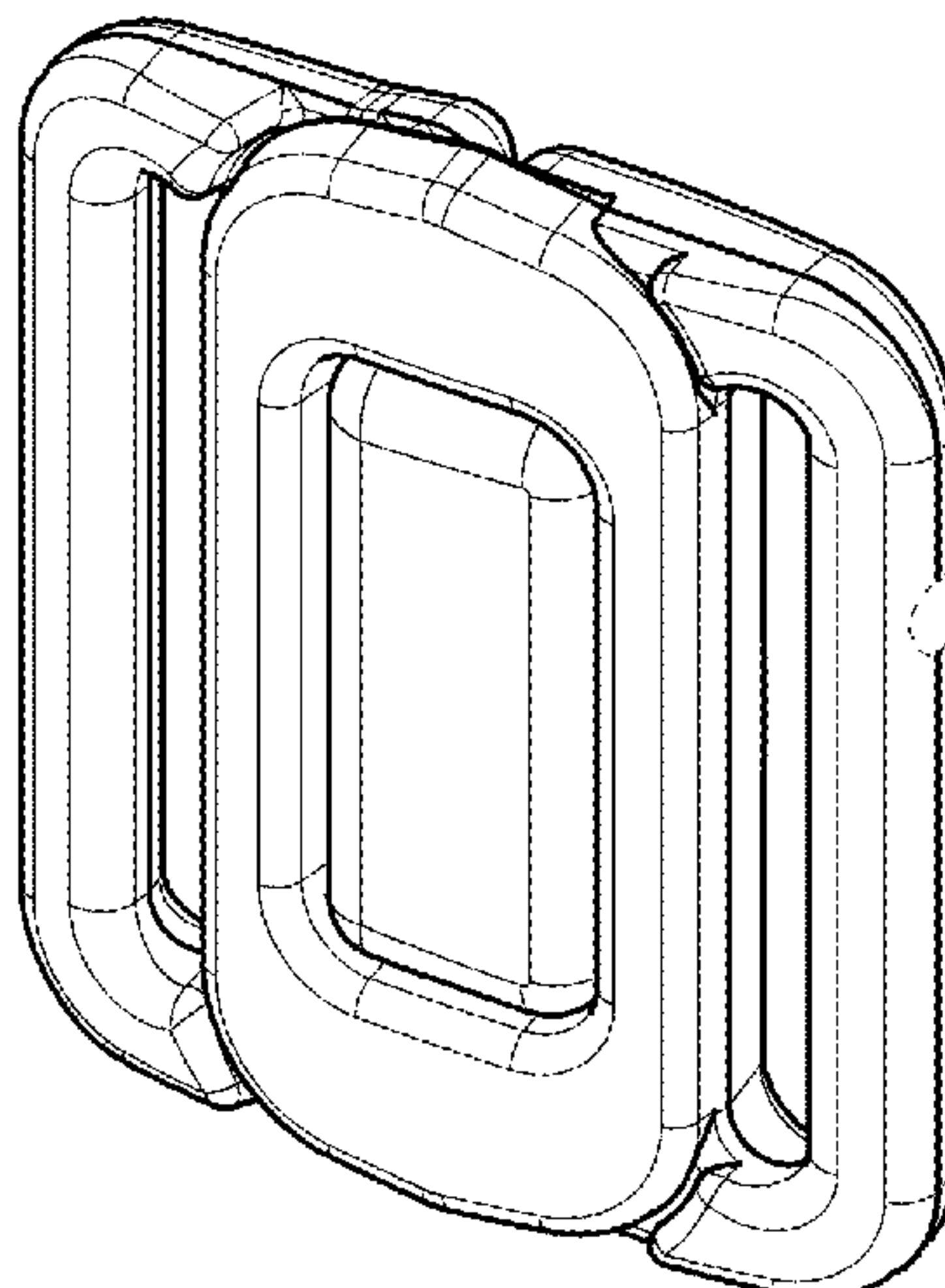
CLAIM

(57) The ornamental design for a garment fastener, as shown and described.

DESCRIPTION

FIG. 1 is a perspective view of a garment fastener showing our new design;
FIG. 2 is a front elevation view thereof;
FIG. 3 is a top plan view thereof;
FIG. 4 is a bottom plan view thereof; and,
FIG. 5 is a rear elevation view thereof.
Elements shown in broken lines depict portions of the garment fastener that form no part of the claimed design.

1 Claim, 2 Drawing Sheets



(56)

References Cited

U.S. PATENT DOCUMENTS

5,380,238 A * 1/1995 Crew-Gee A41C 3/02
2/73
6,009,604 A * 1/2000 Fildan A41F 1/006
24/318
6,108,276 A * 8/2000 Chen G04B 37/1433
24/163 K
6,149,496 A 11/2000 Fildan
D440,905 S * 4/2001 Fildan D11/218
6,406,354 B1 * 6/2002 Yamauchi A41C 3/02
450/58
6,412,153 B1 7/2002 Khachadourian et al.
D475,653 S * 6/2003 Fildan D11/216
D475,946 S * 6/2003 Fildan D11/216
6,640,400 B1 11/2003 Chen
6,793,556 B1 9/2004 Fildan et al.
D498,175 S * 11/2004 Ledein D11/218
D536,639 S * 2/2007 Fildan D11/212
D575,670 S * 8/2008 Niwa D11/216
D632,608 S 2/2011 Corrado

D732,423 S * 6/2015 Fildan D11/218
D739,785 S * 9/2015 Fildan D11/218
D740,168 S * 10/2015 Fildan G04B 37/1433
D11/218
D792,053 S * 7/2017 Chen A41F 1/006
D2/706
9,756,906 B1 9/2017 Fink
D805,426 S * 12/2017 Fildan A41C 3/02
D11/216
D811,934 S * 3/2018 Martinet A44B 11/2588
D11/218
10,362,837 B1 * 7/2019 Fink A41F 1/006
D867,923 S * 11/2019 Li D11/216
2002/0062539 A1 5/2002 Matsushima et al.
2002/0095752 A1 * 7/2002 Fildan A41F 1/006
24/586.11
2003/0115727 A1 6/2003 Yokozeki et al.
2009/0133230 A1 * 5/2009 Wanzenboeck A41F 1/006
24/326
2017/0164671 A1 * 6/2017 Fildan A44B 17/0023
2017/0164672 A1 * 6/2017 Fildan A41F 1/006
2018/0160779 A1 * 6/2018 Fildan A44B 11/2588

* cited by examiner

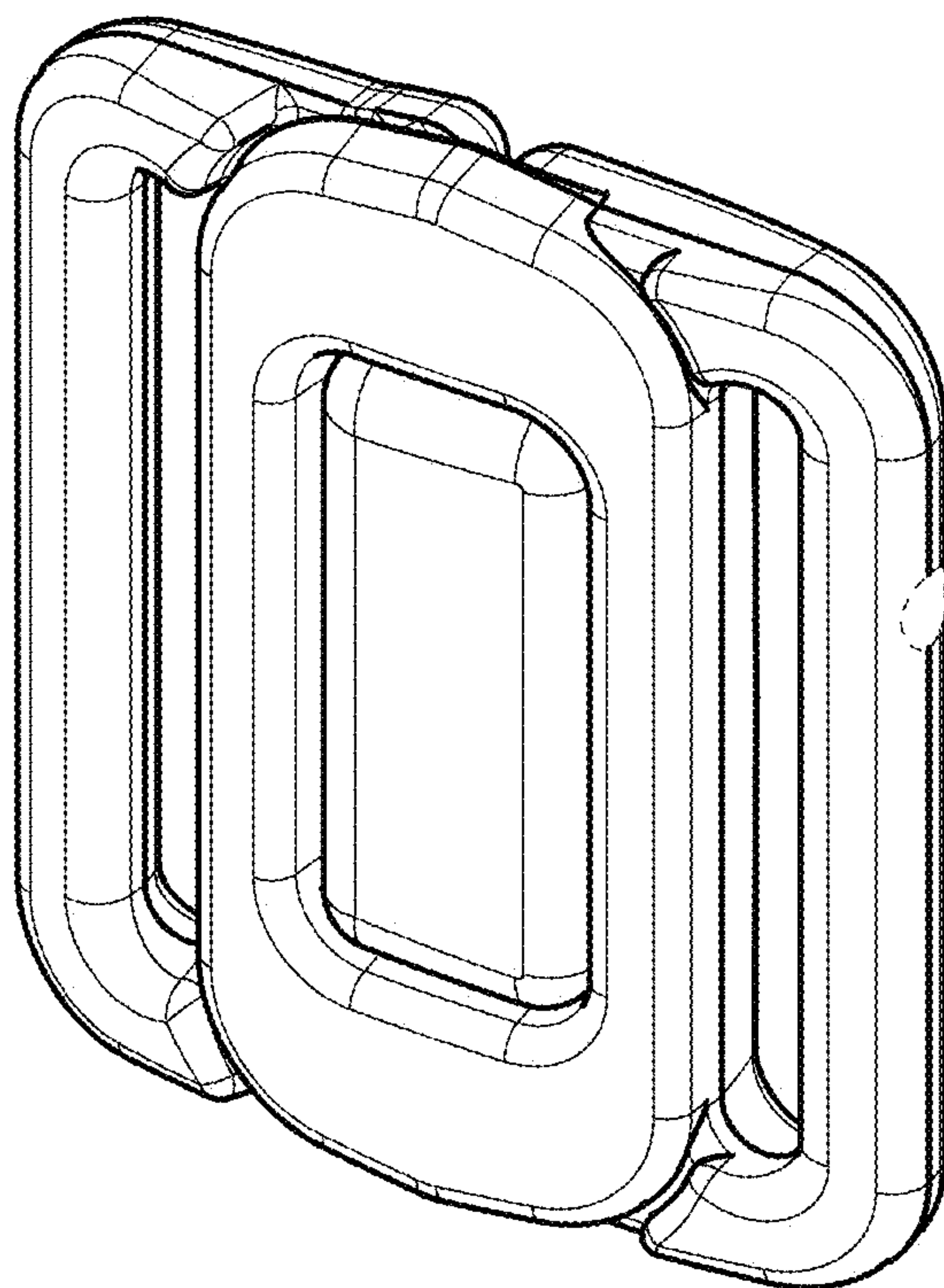


FIG. 1

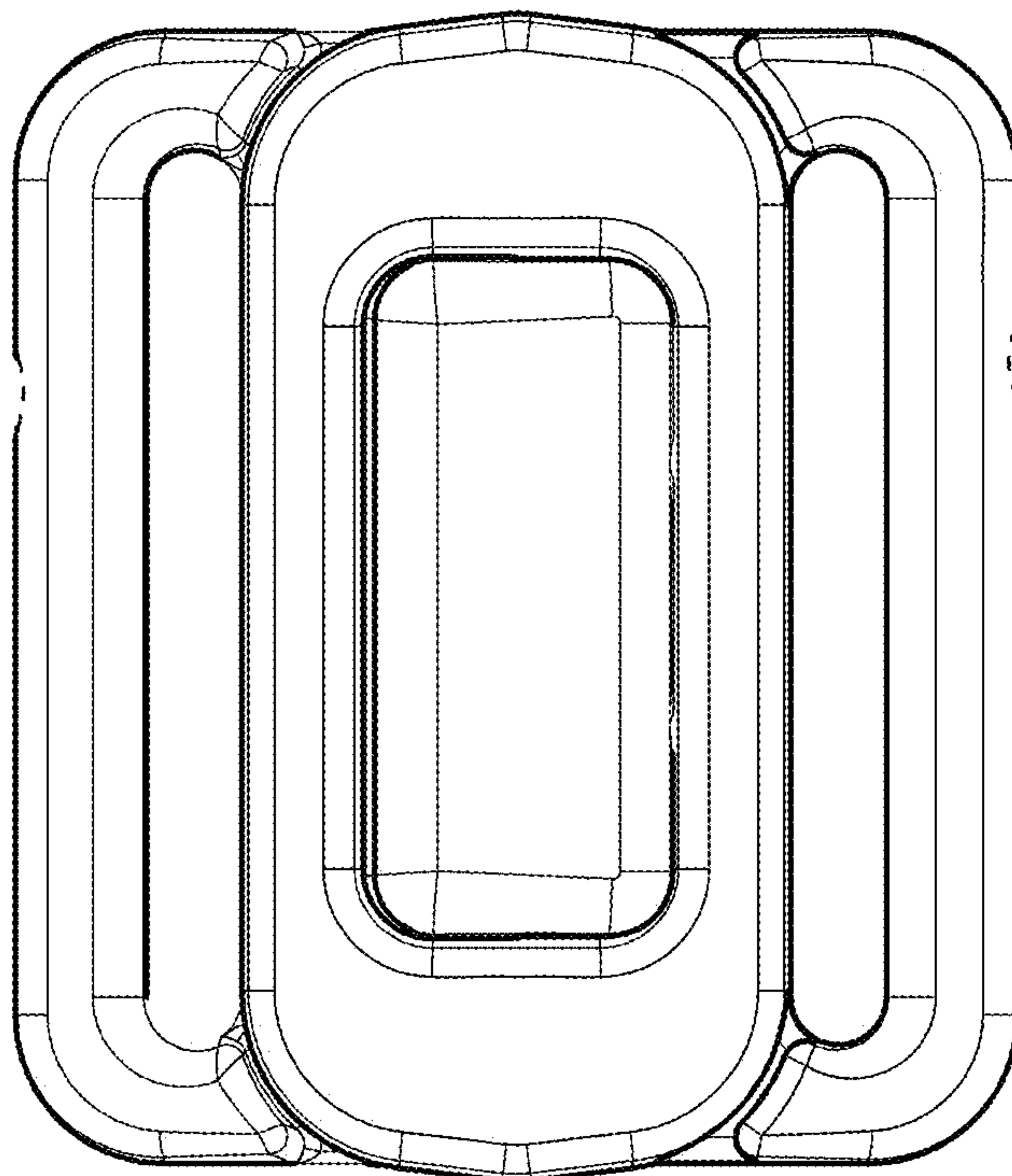


FIG. 2

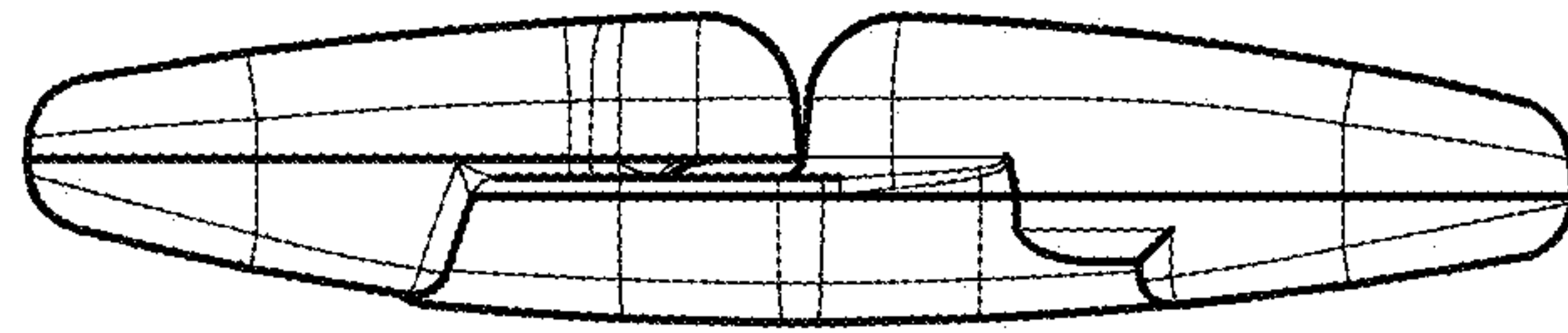


FIG. 3

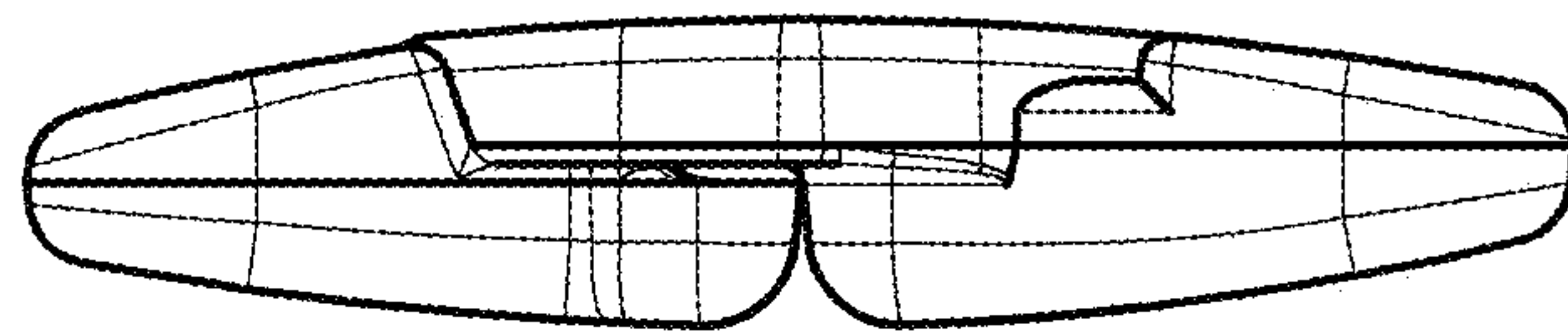


FIG. 4

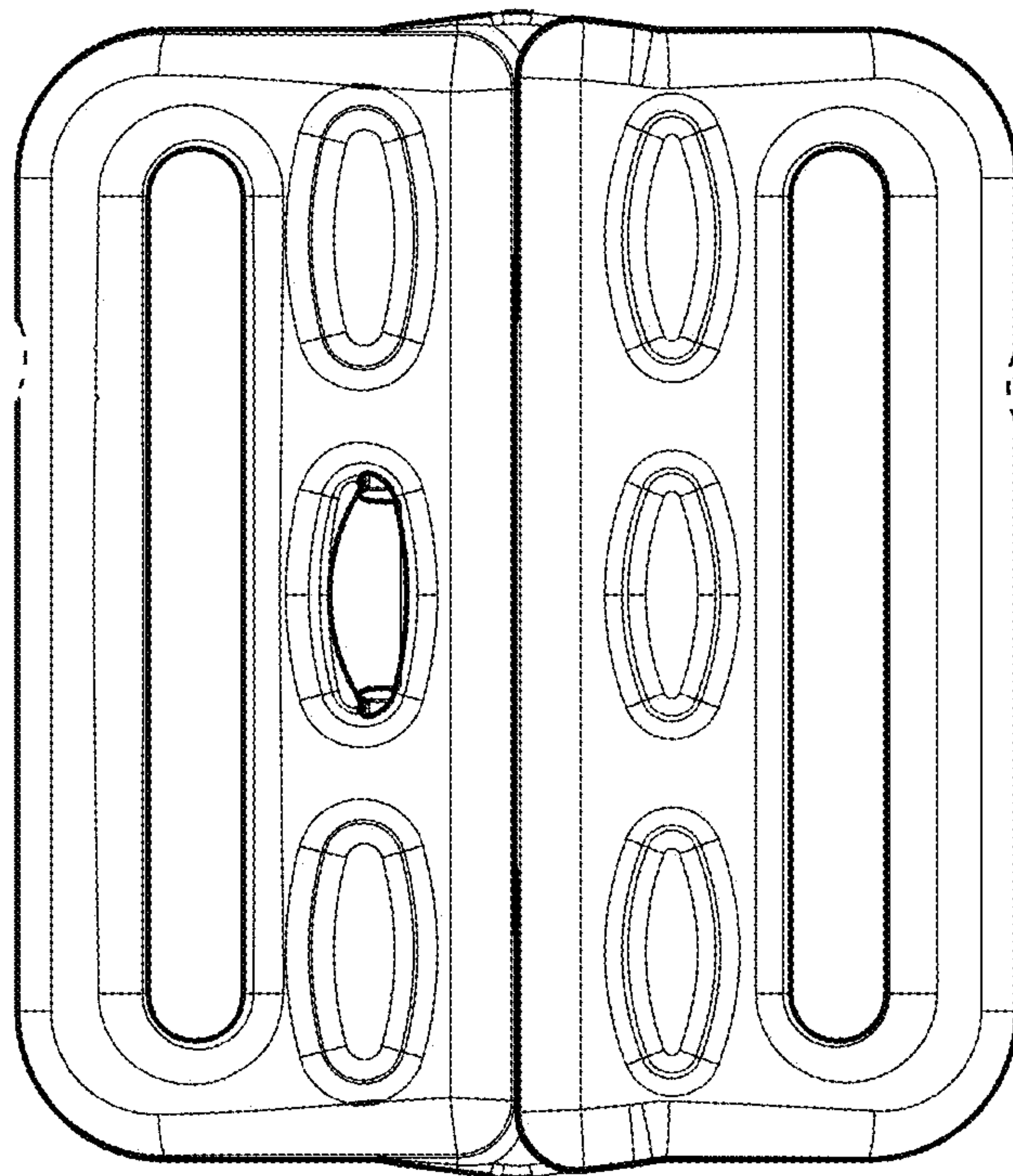


FIG. 5