



US00D882458S

(12) **United States Design Patent** (10) **Patent No.:** **US D882,458 S**
Shaw (45) **Date of Patent:** **** Apr. 28, 2020**

(54) **PLANTER**
(71) Applicant: **Crawford Shaw**, Atlanta, GA (US)
(72) Inventor: **Crawford Shaw**, Atlanta, GA (US)
(73) Assignee: **In The Black Revocable Trust**, Dallas, TX (US)
(**) Term: **15 Years**
(21) Appl. No.: **29/653,830**
(22) Filed: **Jun. 19, 2018**
(51) **LOC (12) Cl.** **11-02**
(52) **U.S. Cl.**
USPC **D11/164**
(58) **Field of Classification Search**
USPC D11/164, 143, 144, 146; 111/100, 200, 111/905
CPC A01G 9/021; A01G 9/028
See application file for complete search history.

Primary Examiner — W. A. Teddy Falloway
(74) *Attorney, Agent, or Firm* — Eversheds Sutherland (US) LLP

(57) **CLAIM**

I claim the ornamental design for a planter, as shown and described.

DESCRIPTION

FIG. 1 is an upper perspective view showing my new design for a planter;
FIG. 2 is a lower perspective view showing the design of FIG. 1;
FIG. 3 is a side view showing the design of FIG. 1;
FIG. 4 is a top view showing the design of FIG. 1;
FIG. 5 is a bottom view showing the design of FIG. 1;
FIG. 6 is an upper perspective view of the design of FIG. 1 with a topper accessory;
FIG. 7 is a lower perspective view showing the design of FIG. 6;
FIG. 8 is a side view showing the design of FIG. 6;
FIG. 9 is another side view showing the design of FIG. 6;
FIG. 10 is a top view showing the design of FIG. 6;
FIG. 11 is a bottom view showing the design of FIG. 6;
FIG. 12 is an upper perspective view of the design of FIG. 1 with a topper accessory;
FIG. 13 is a lower perspective view showing the design of FIG. 12;
FIG. 14 is a side view showing the design of FIG. 12;
FIG. 15 is another side view showing the design of FIG. 12;
FIG. 16 is a top view showing the design of FIG. 12; and,
FIG. 17 is a bottom view showing the design of FIG. 12.
The broken lines showing a topper accessory represent environmental structure. All other broken lines illustrate portions of the planter. The broken lines form no part of the claimed design.

(56) **References Cited**

U.S. PATENT DOCUMENTS

D20,336 S *	11/1890	Whildin	D11/152
D253,757 S *	12/1979	Cone	D11/153
4,593,490 A	6/1986	Bodine		
D422,936 S *	4/2000	Tsou	D11/152
D503,654 S *	4/2005	Harbaugh	D11/151
D511,477 S *	11/2005	Hensen	D11/153
D515,970 S *	2/2006	Hensen	D11/153
D573,060 S *	7/2008	White	D11/152
D631,390 S *	1/2011	Izardel	D11/144
D642,957 S *	8/2011	Eckert	D11/153

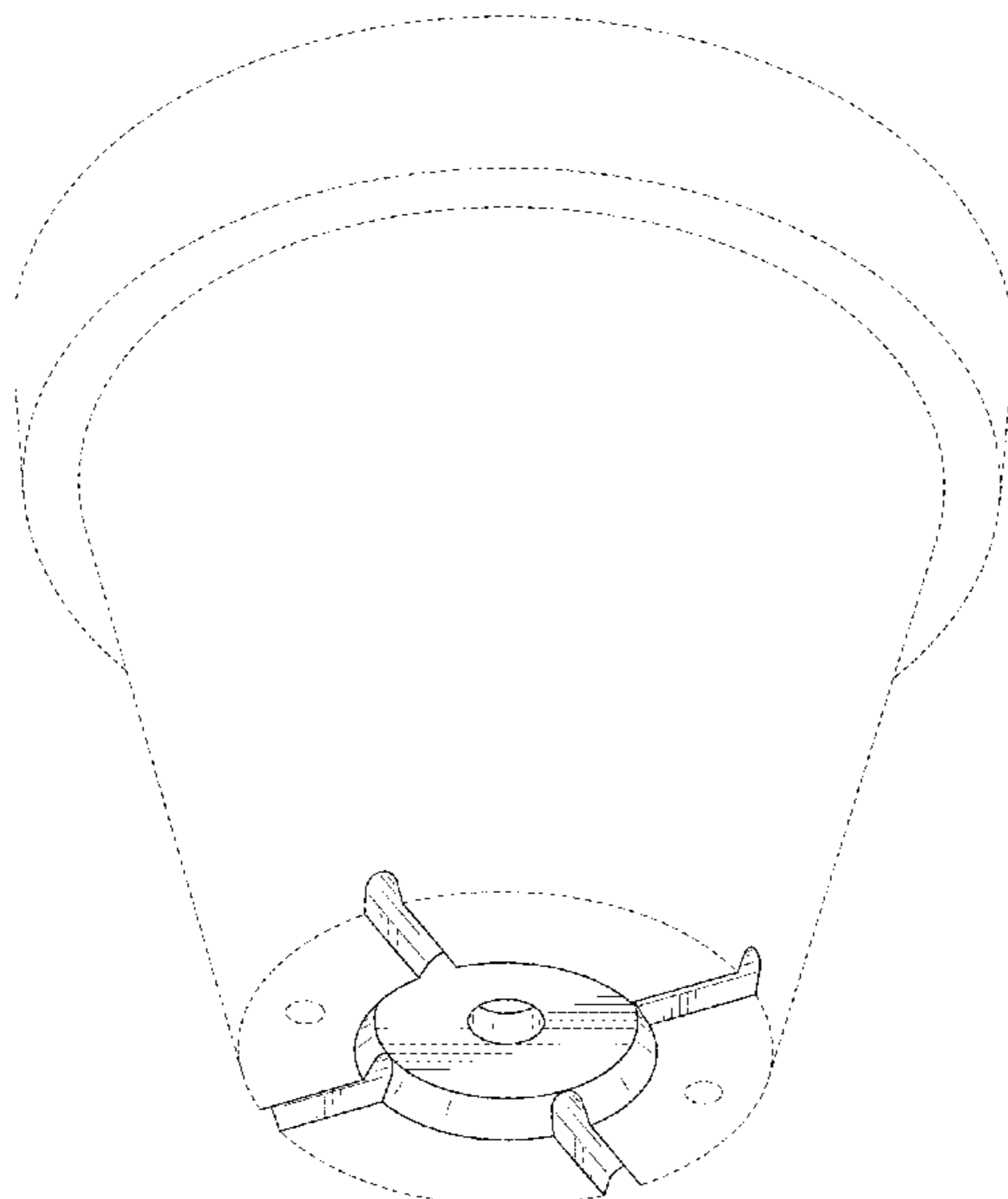
(Continued)

FOREIGN PATENT DOCUMENTS

DE	2014201002995	7/2014
FR	9913946 A	11/1999

(Continued)

1 Claim, 15 Drawing Sheets



(56)

References Cited

U.S. PATENT DOCUMENTS

8,434,261 B2 * 5/2013 Nobbe A01G 9/021
47/65.7
D819,488 S * 6/2018 Beesley D11/152
D819,490 S * 6/2018 Ryan D11/153
D820,149 S * 6/2018 Tao D11/152
D821,258 S * 6/2018 Tao D11/152
D832,135 S * 10/2018 Gentile D11/152
D853,273 S * 7/2019 Shaw, Jr. D11/152
D853,274 S * 7/2019 Shaw, Jr. D11/152
2005/0005516 A1 * 1/2005 Schmidt A01G 9/021
47/65.5
2008/0115414 A1 5/2008 Hogan
2009/0249688 A1 * 10/2009 Cameron A01G 9/02
47/65.7
2011/0083365 A1 * 4/2011 Nobbe A01G 9/021
47/65.7
2019/0200538 A1 * 7/2019 Middleton A01G 9/021

FOREIGN PATENT DOCUMENTS

KR 20130001866 U 3/2013
KR 20130105353 A 9/2013

* cited by examiner

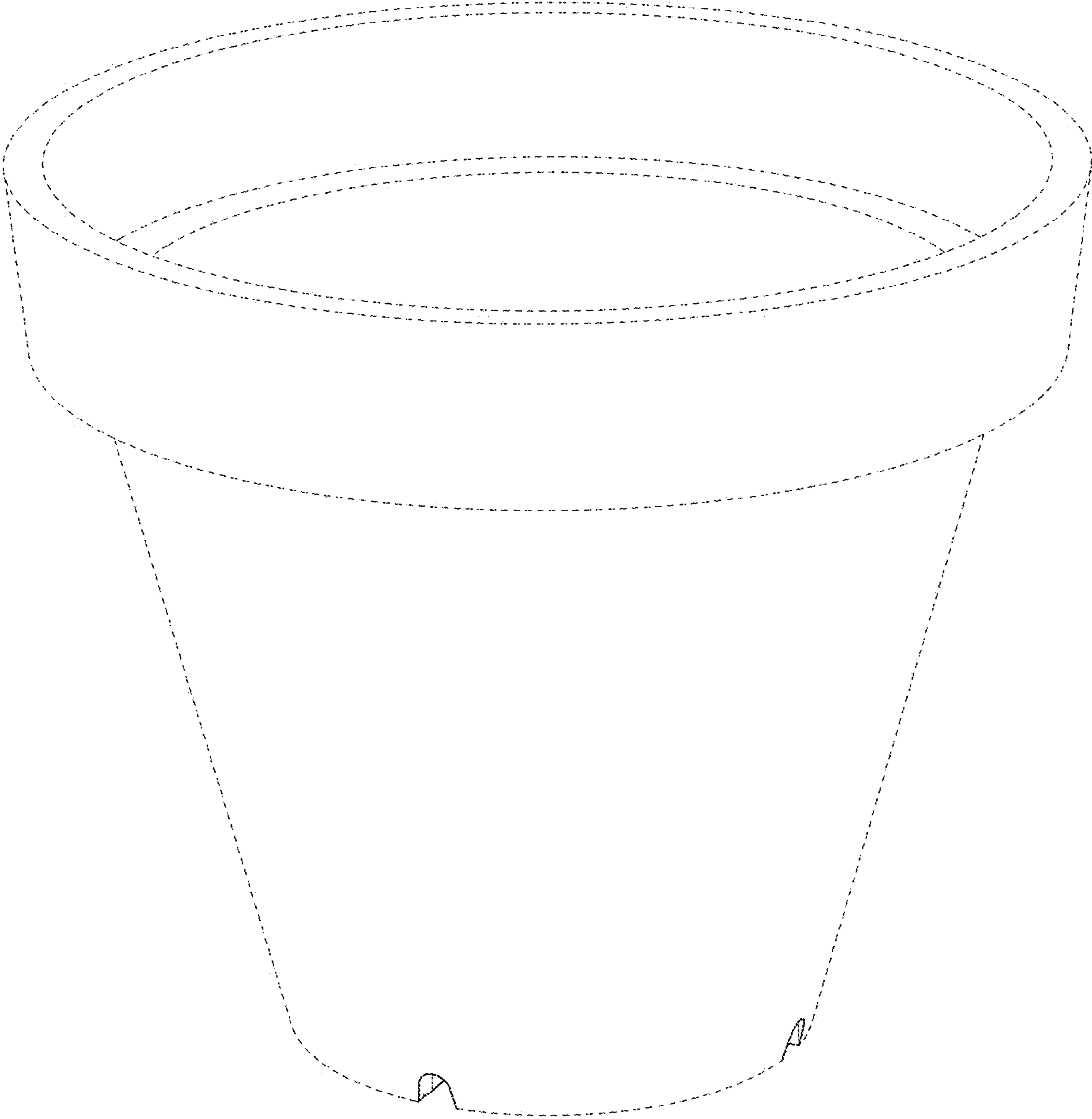


FIG. 1

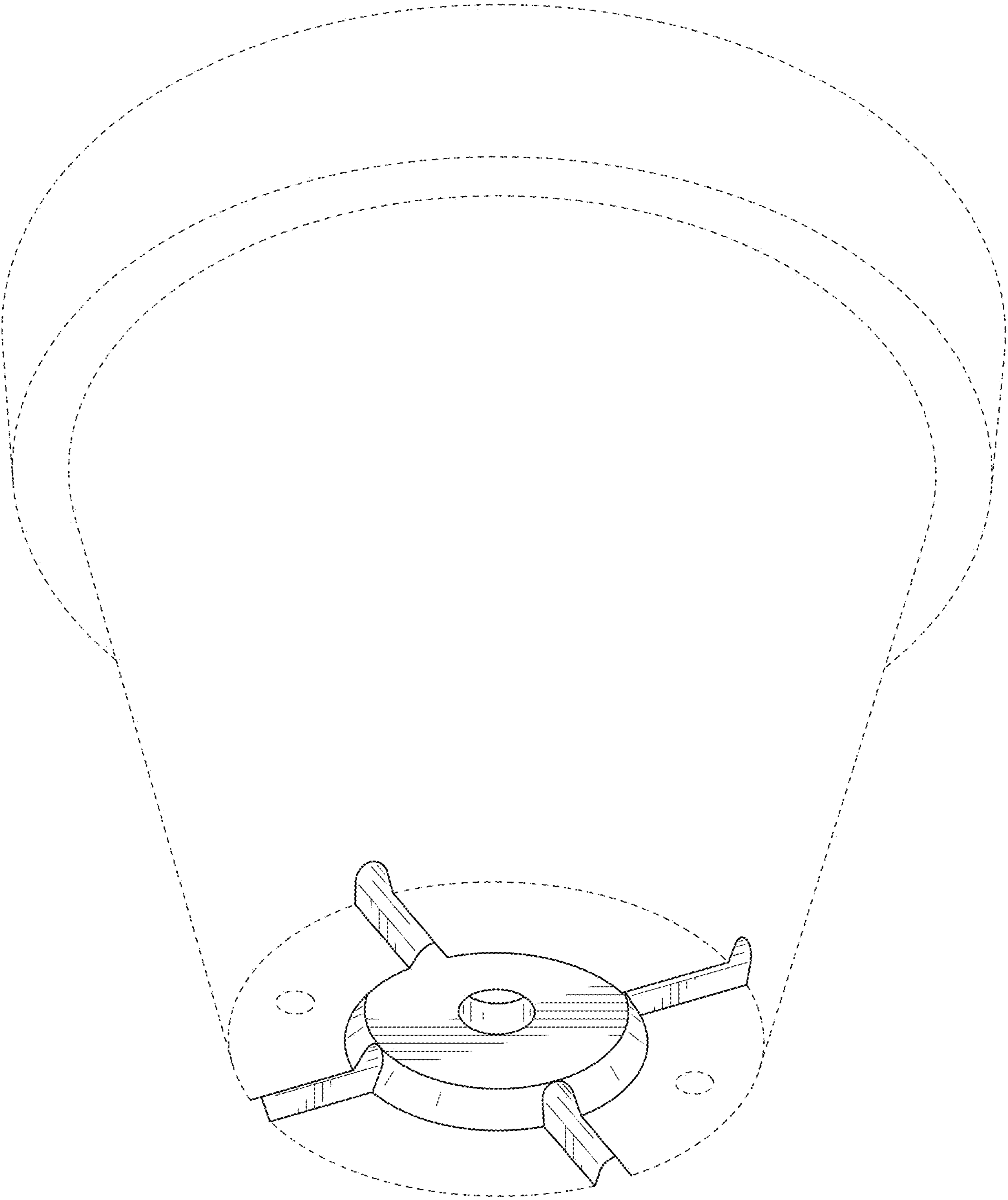


FIG. 2

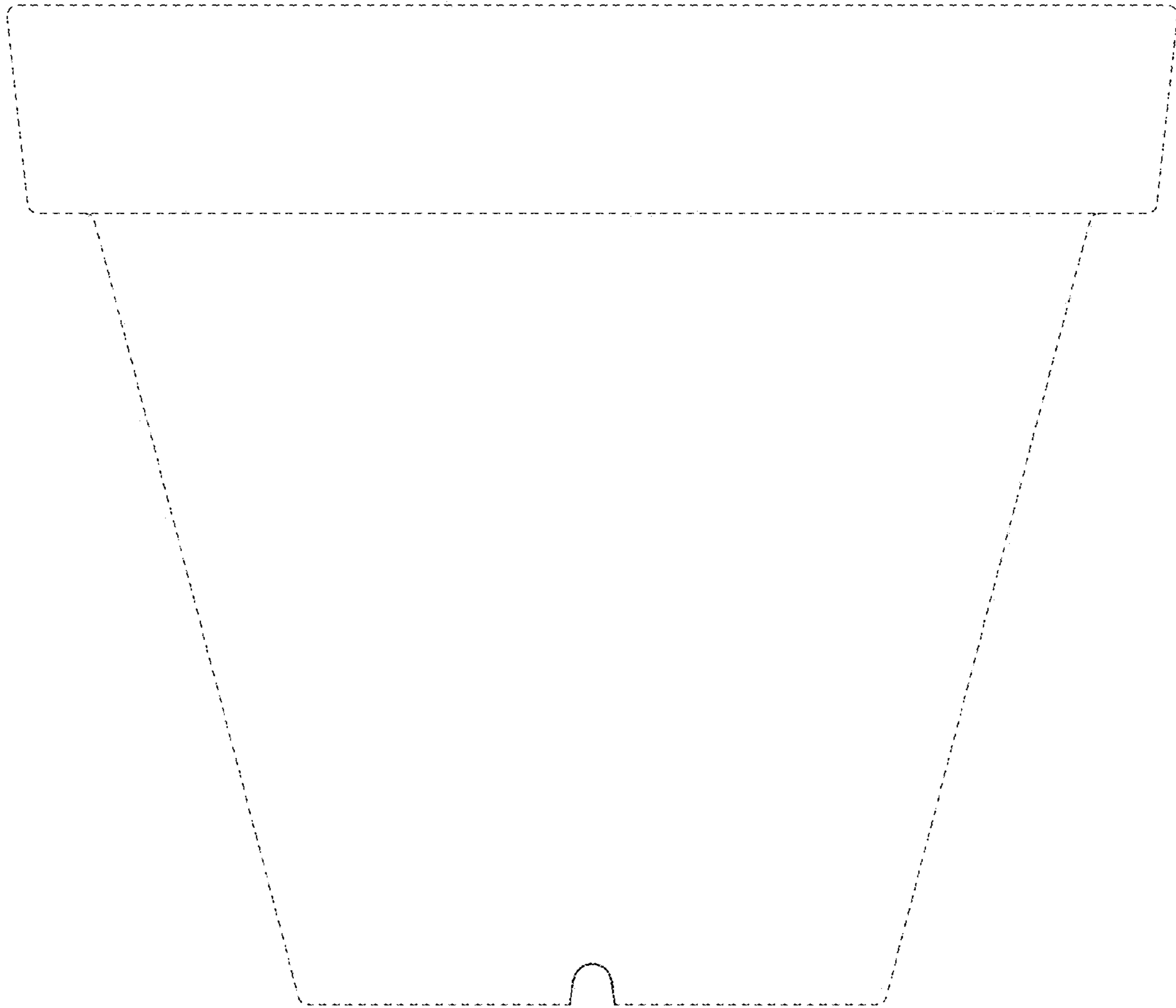


FIG. 3

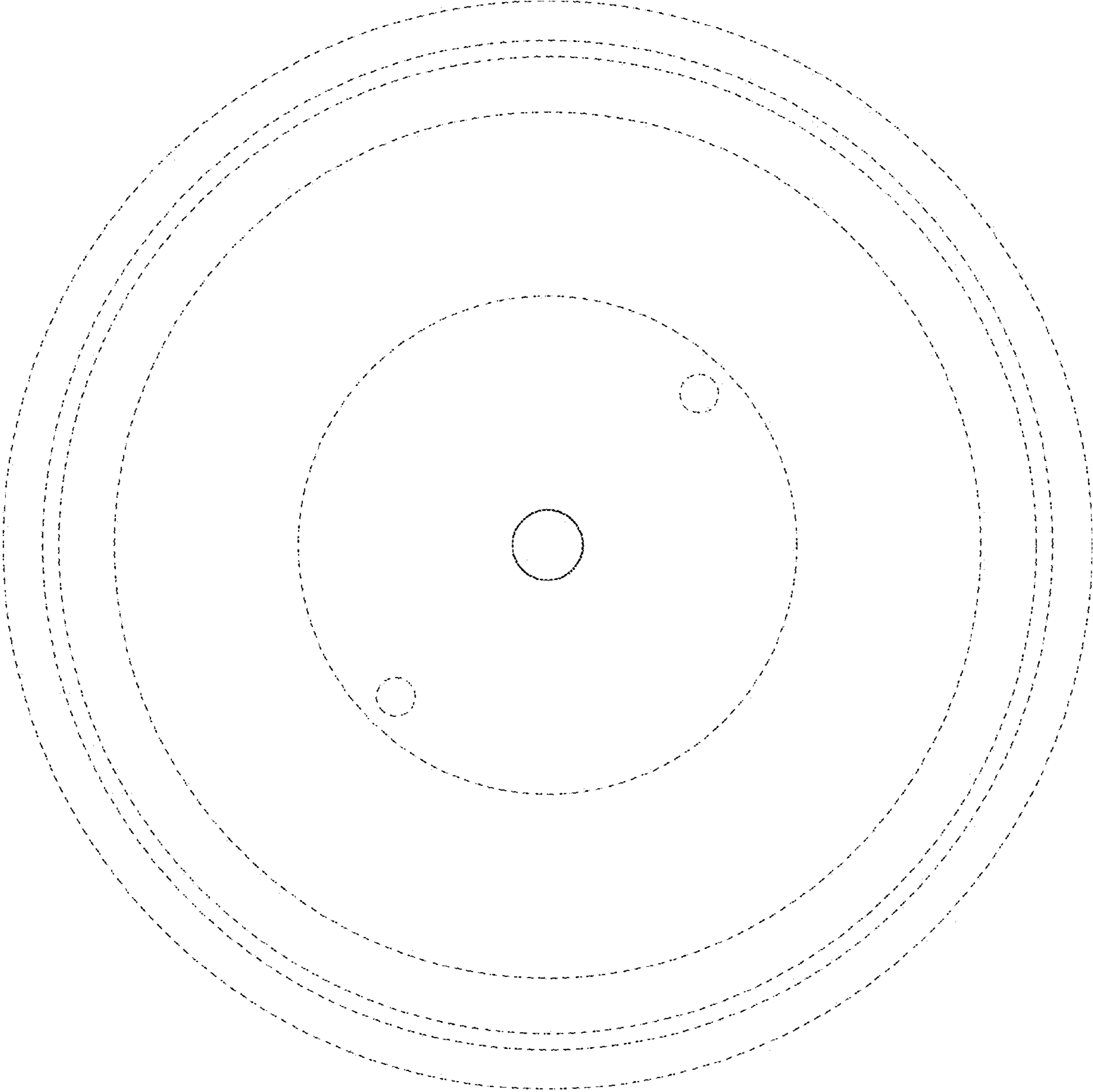


FIG. 4

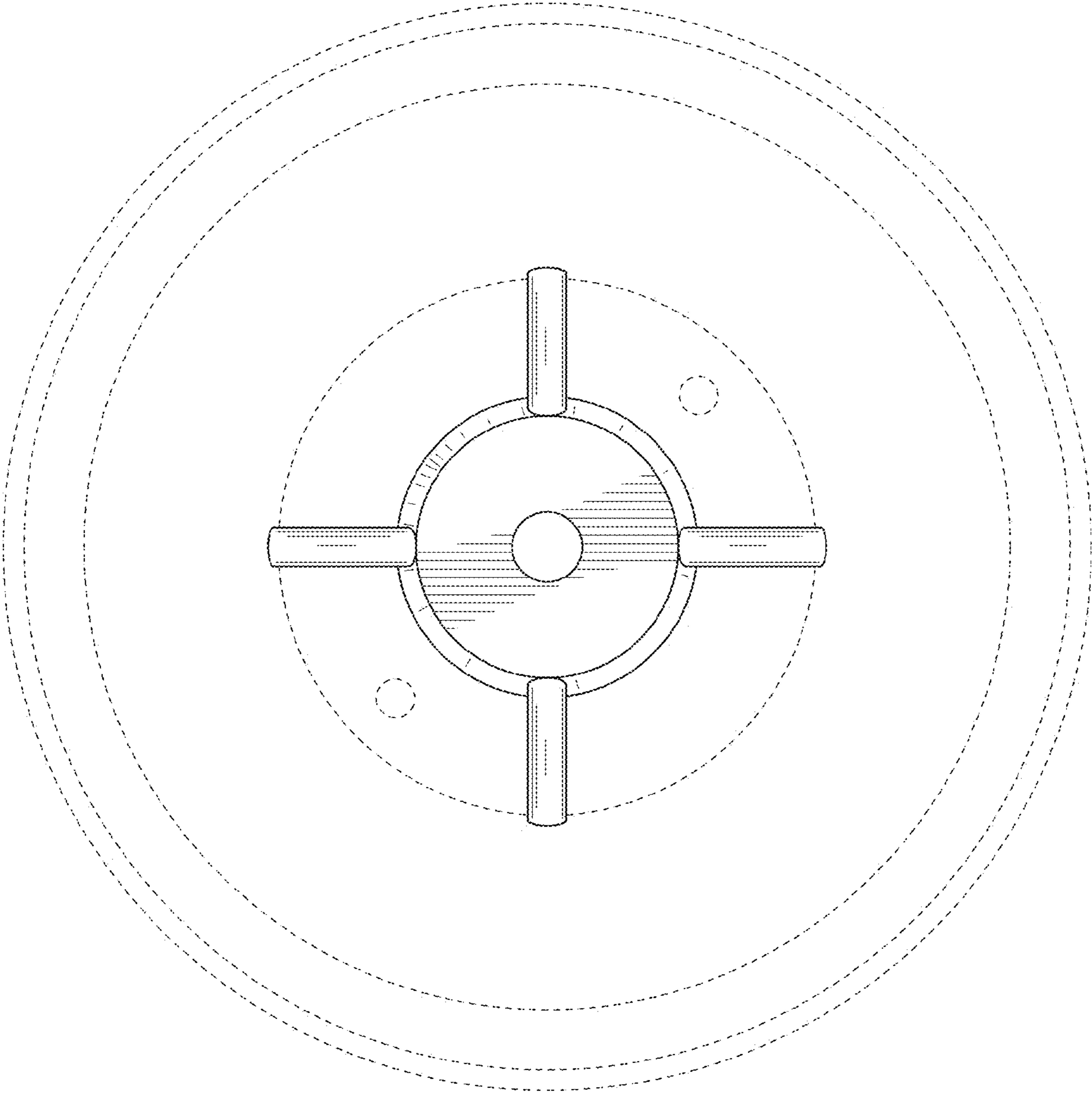


FIG. 5

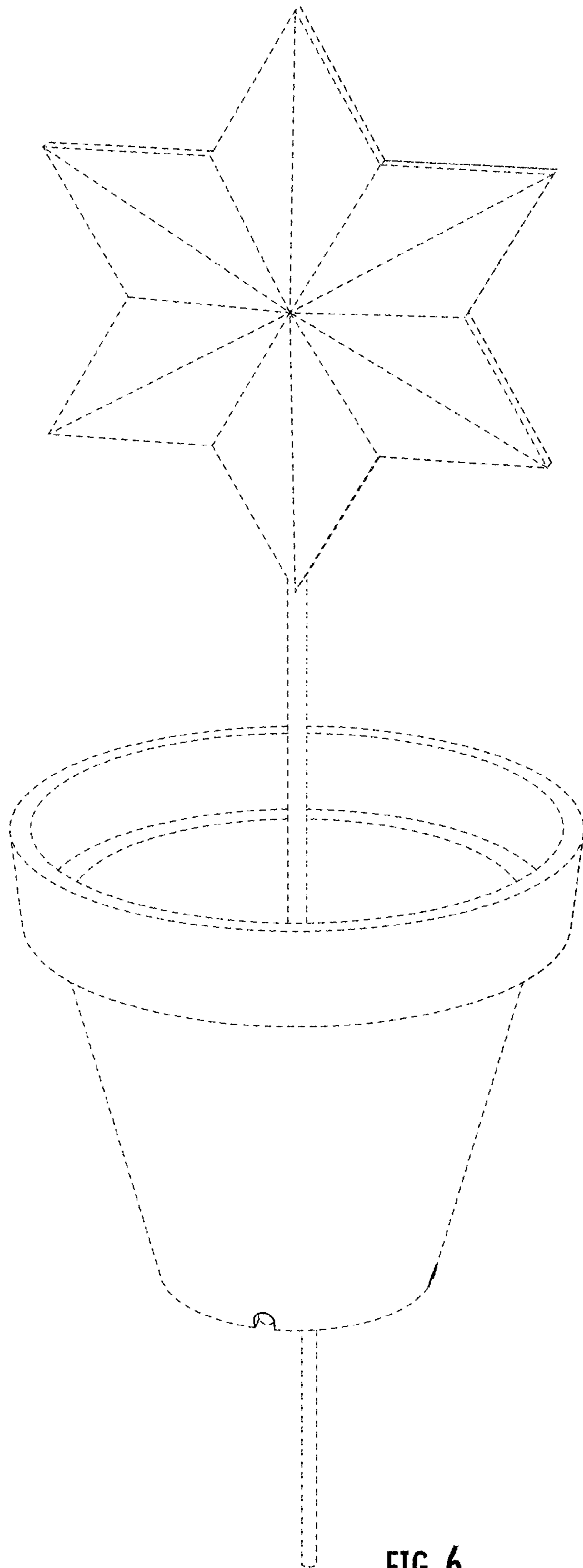


FIG. 6

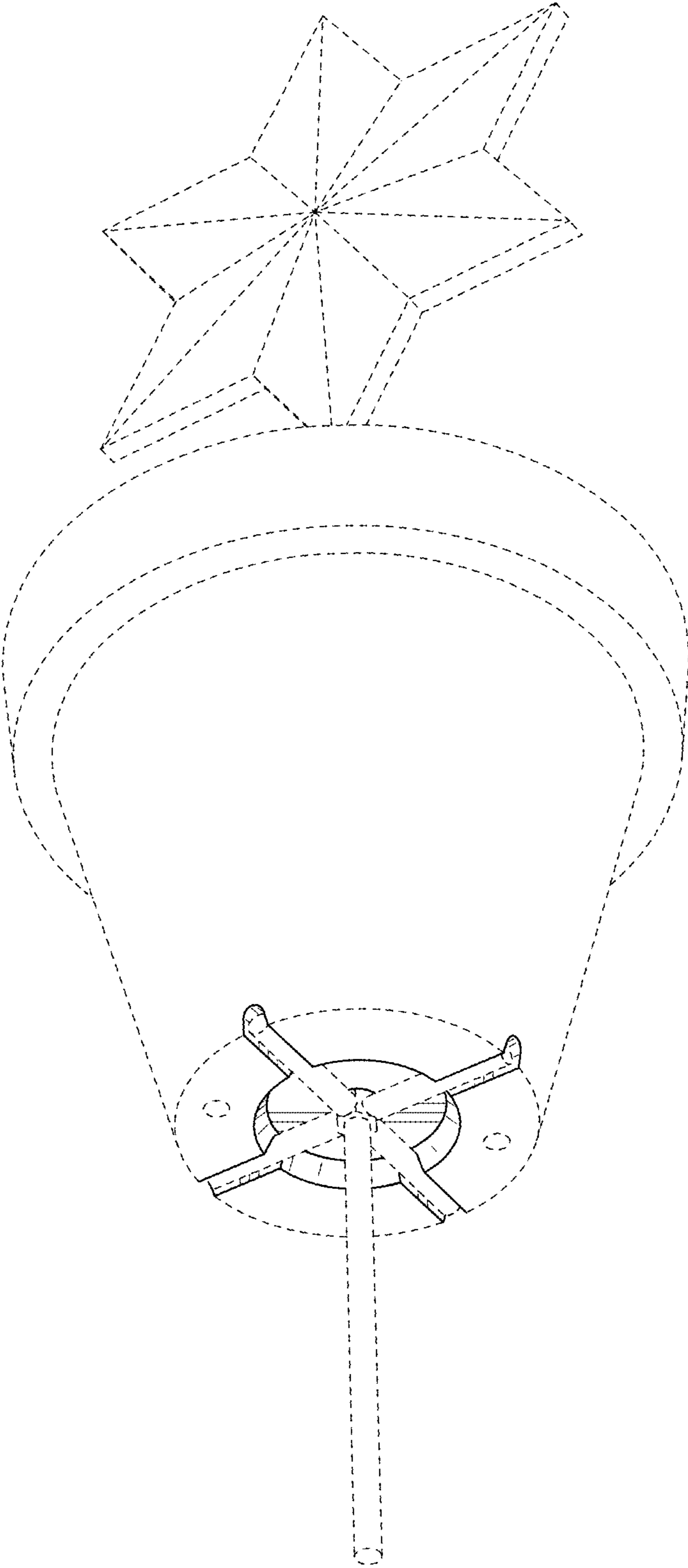


FIG. 7

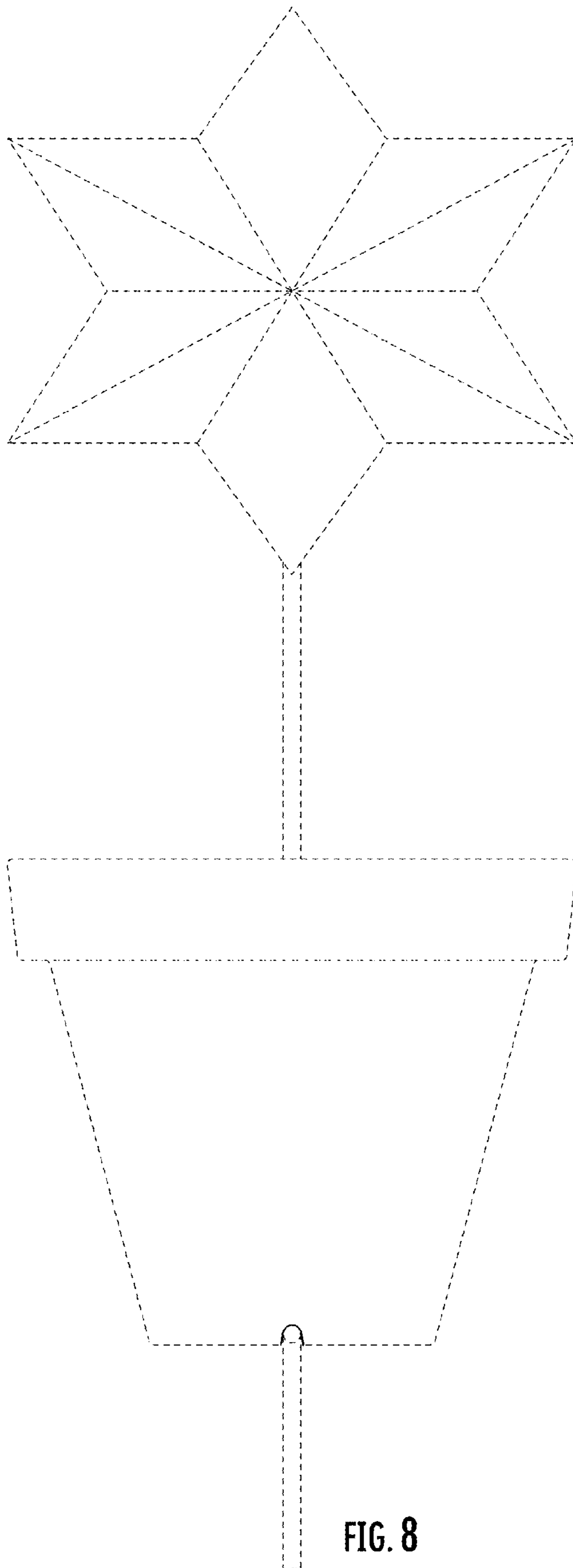


FIG. 8

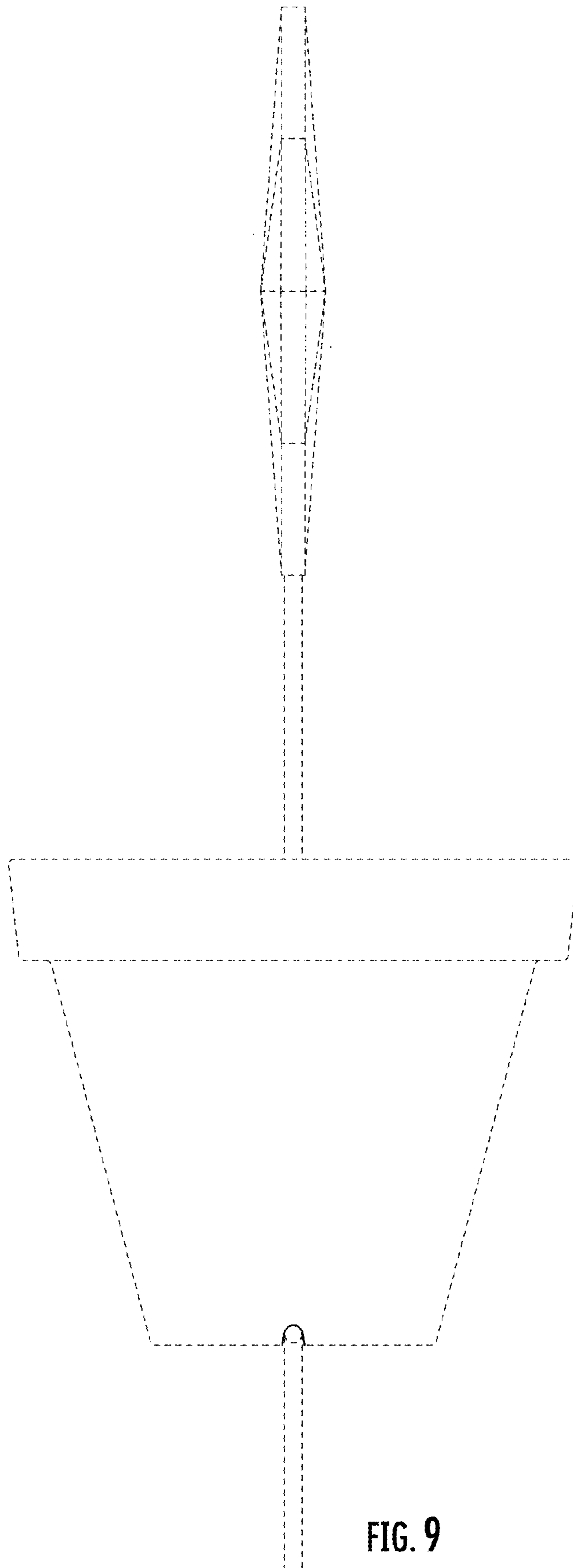


FIG. 9

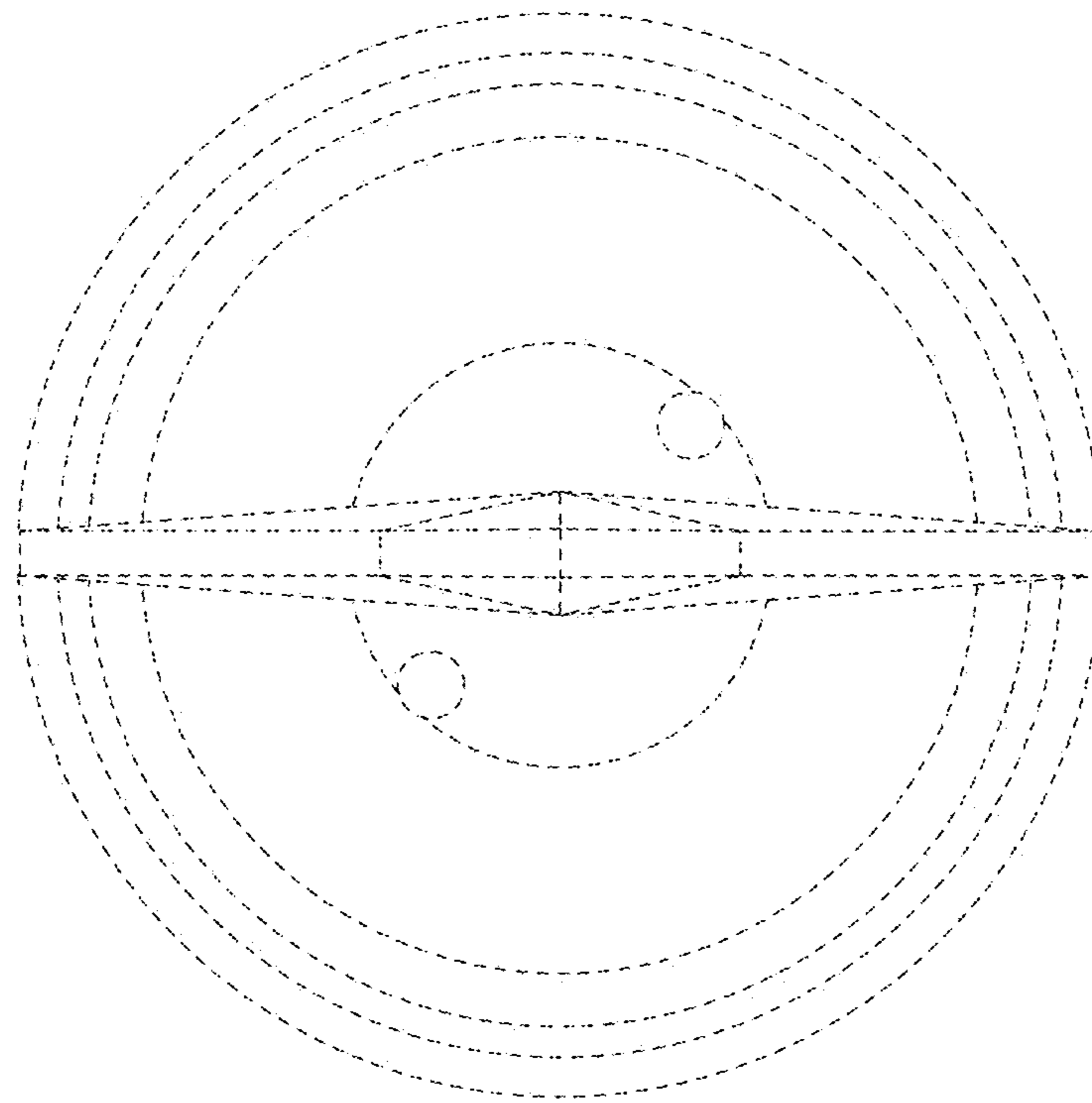


FIG. 10

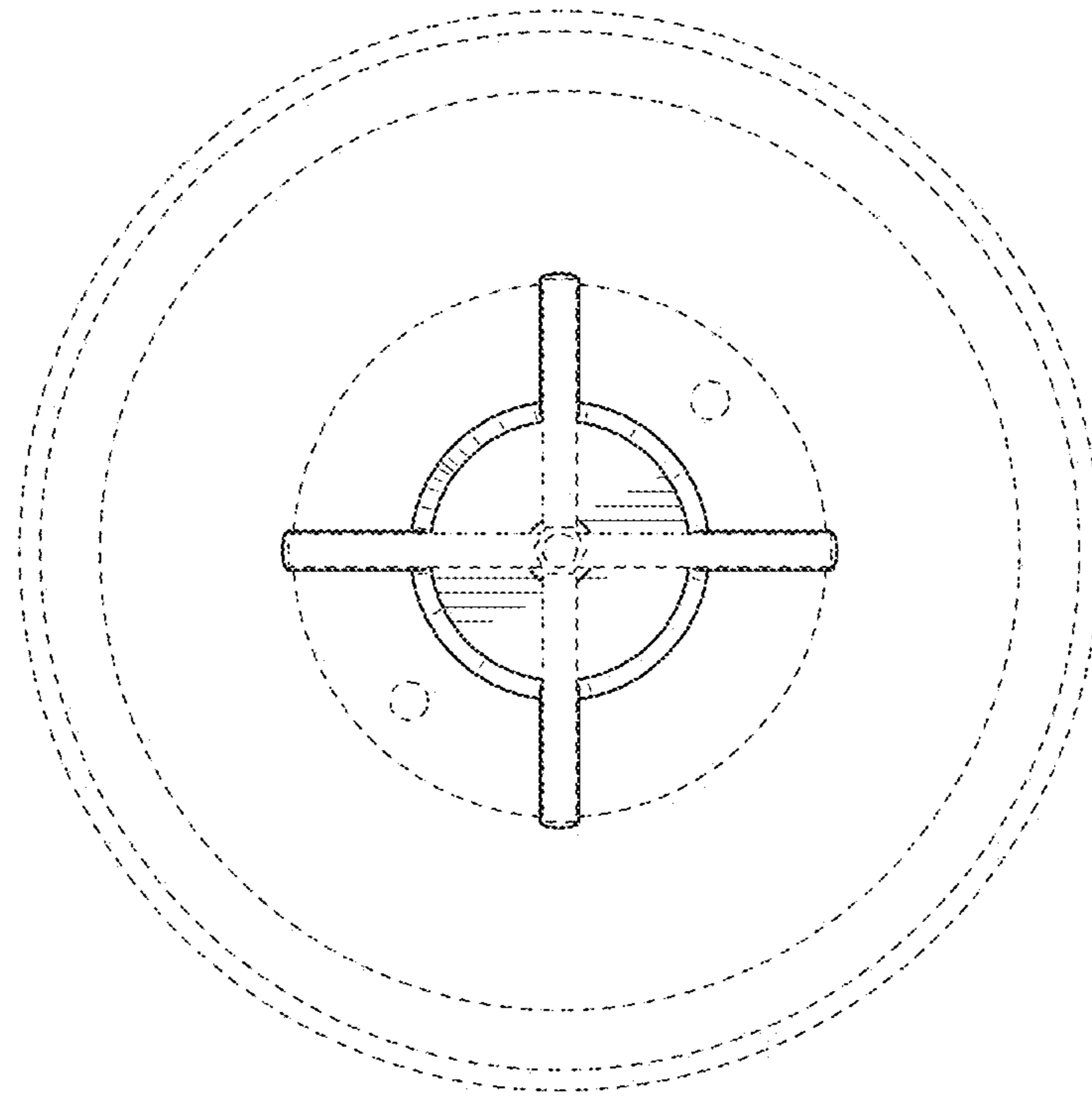


FIG. 11

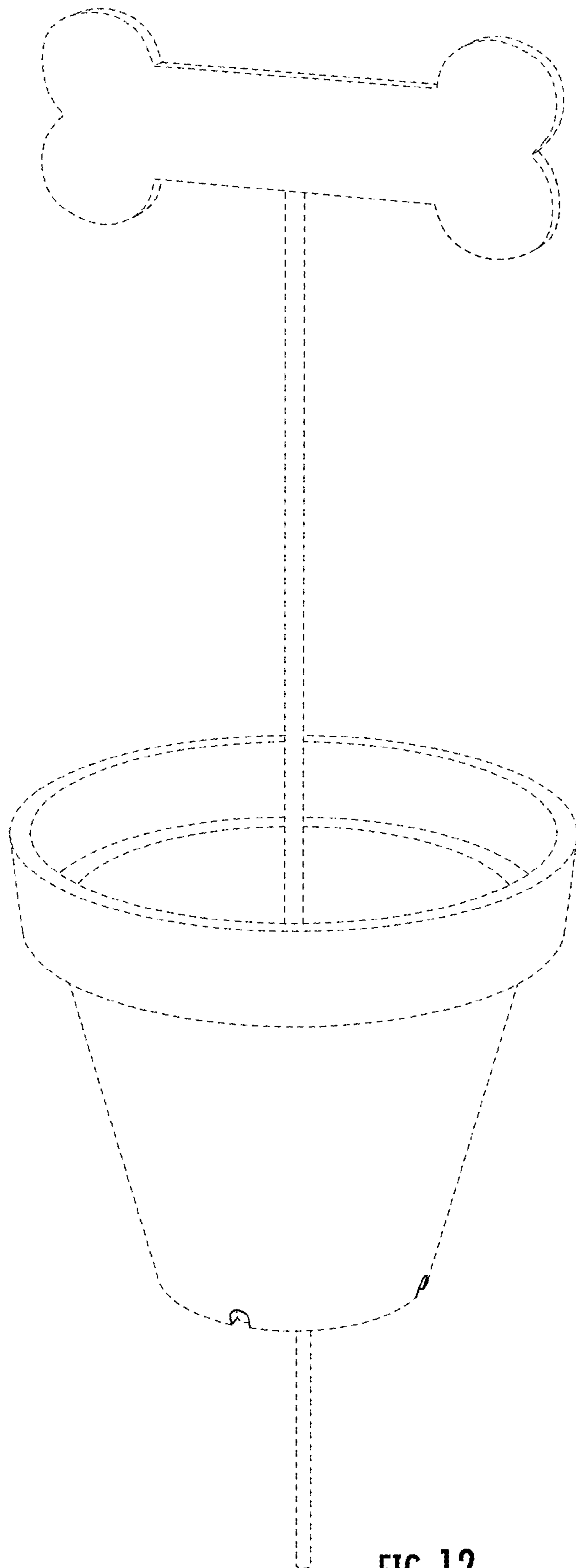


FIG. 12

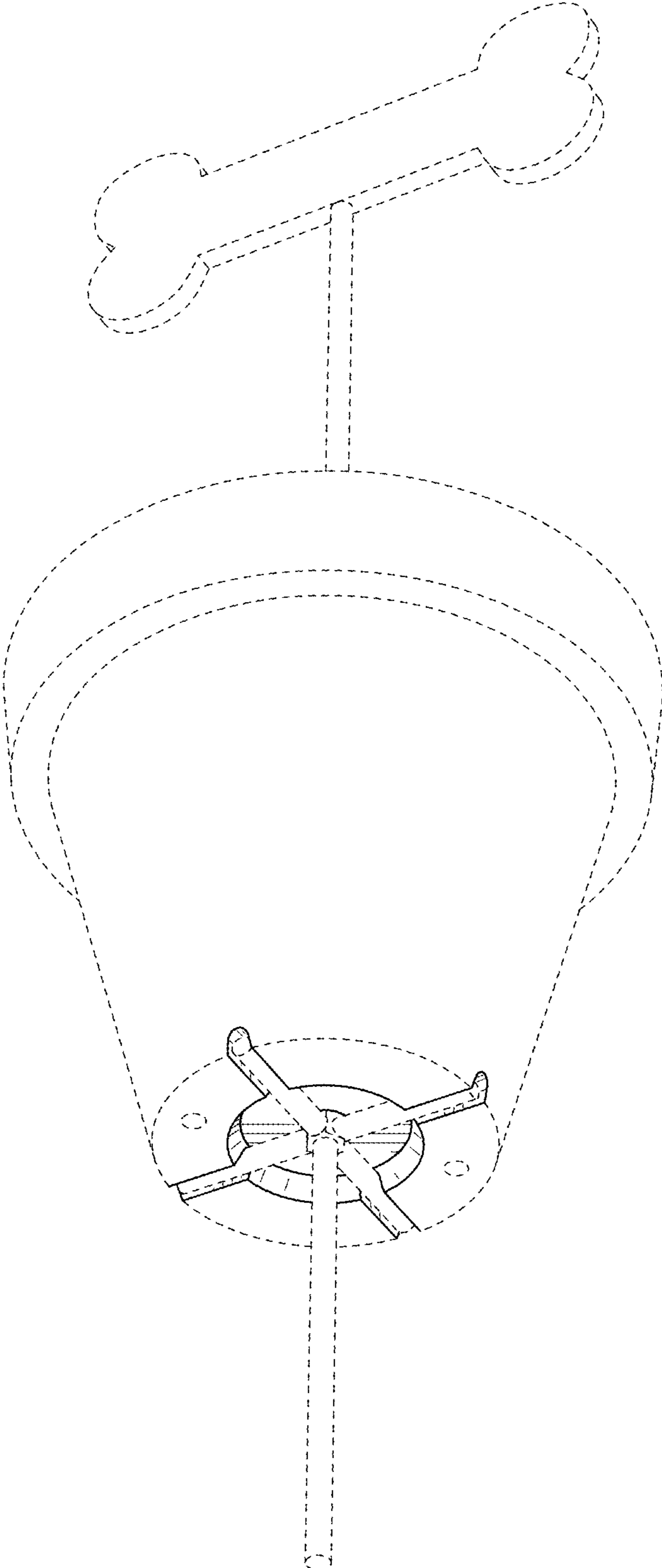


FIG. 13

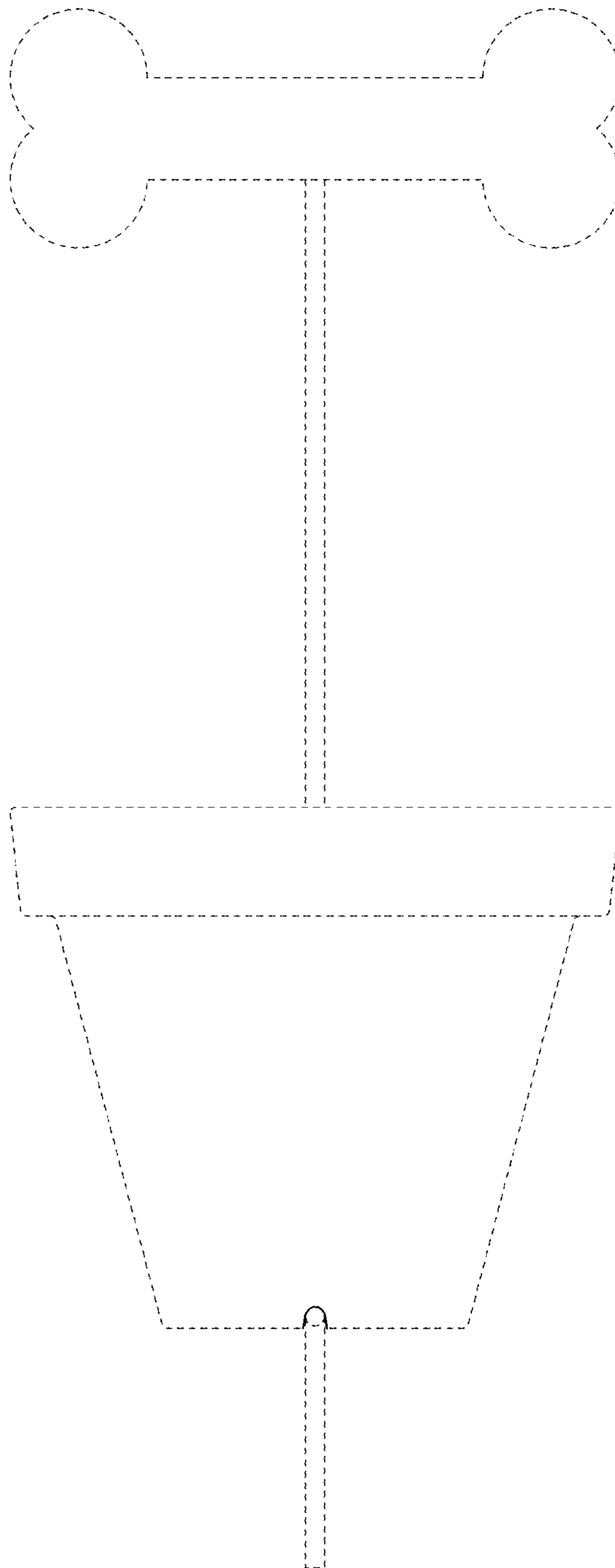


FIG. 14

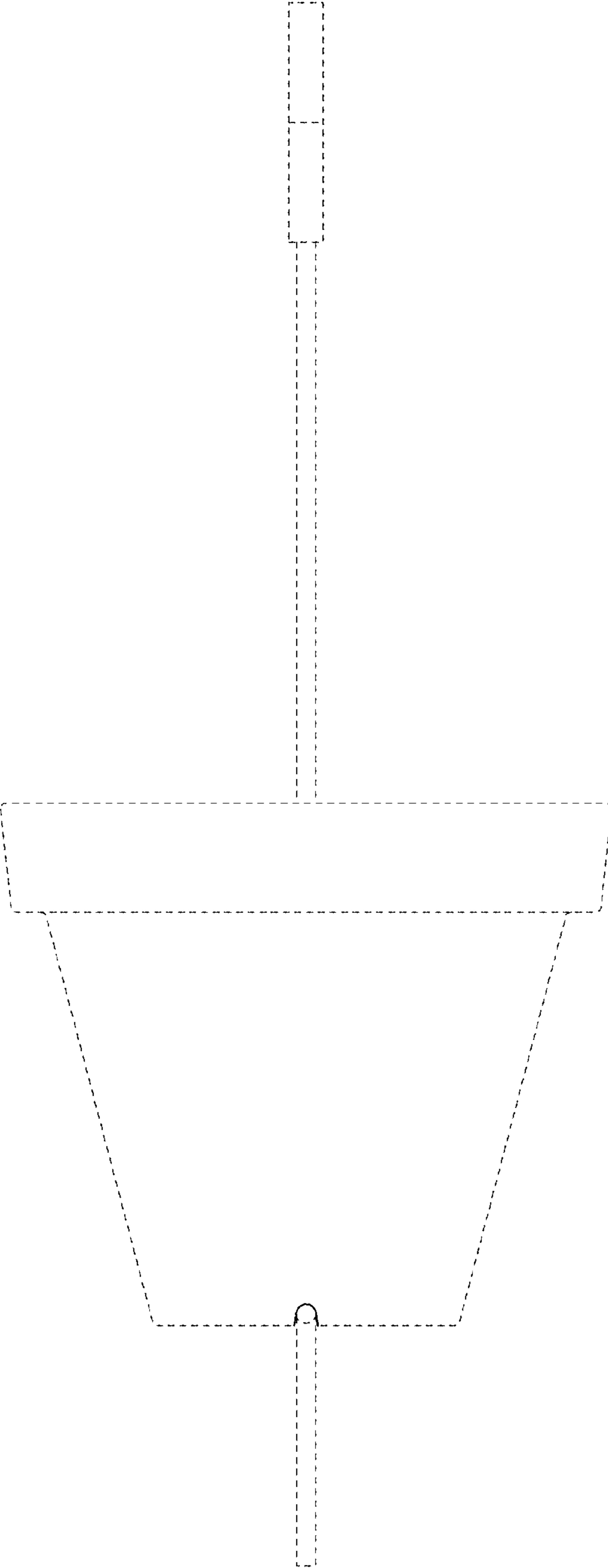


FIG. 15

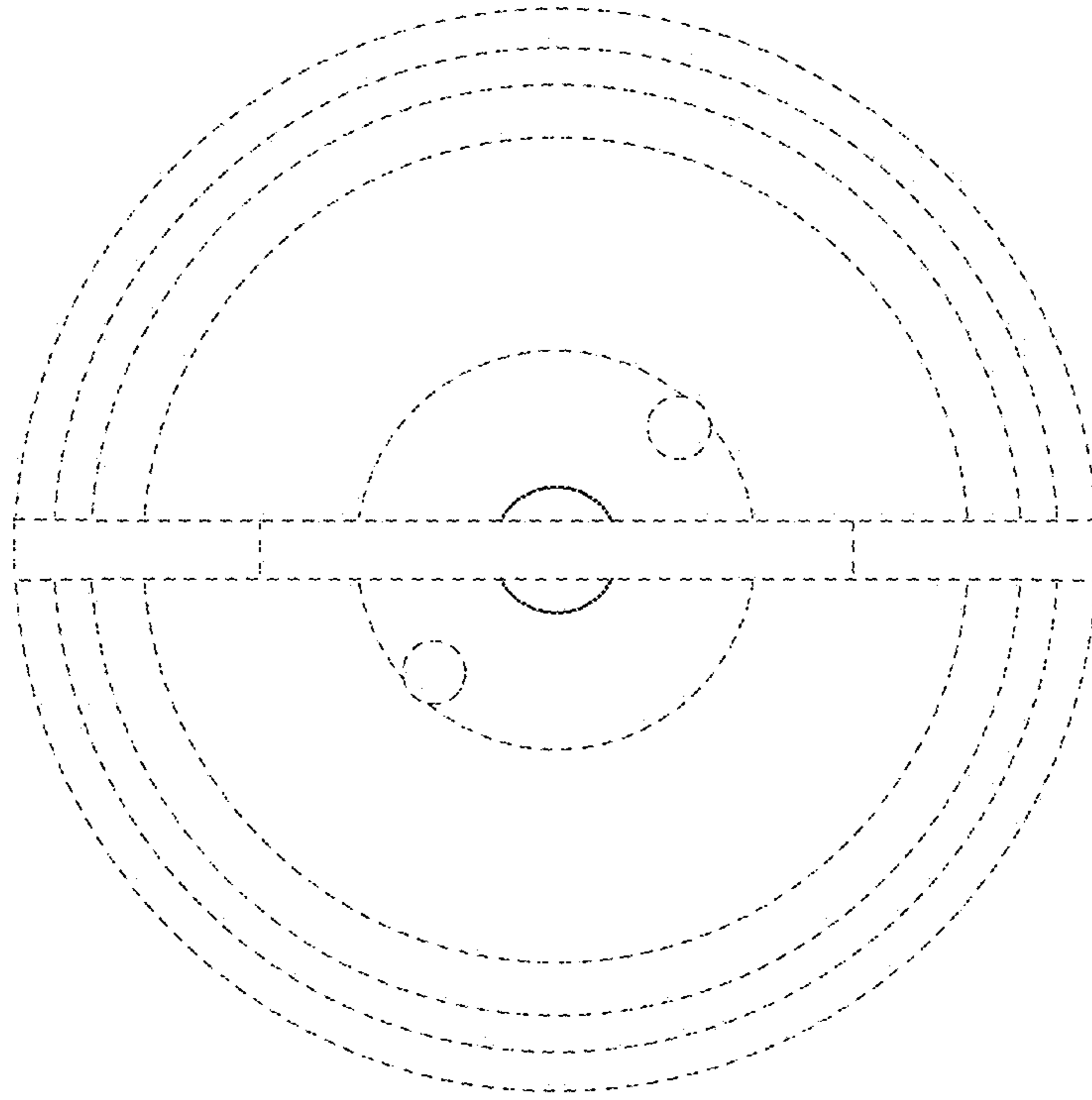


FIG. 16

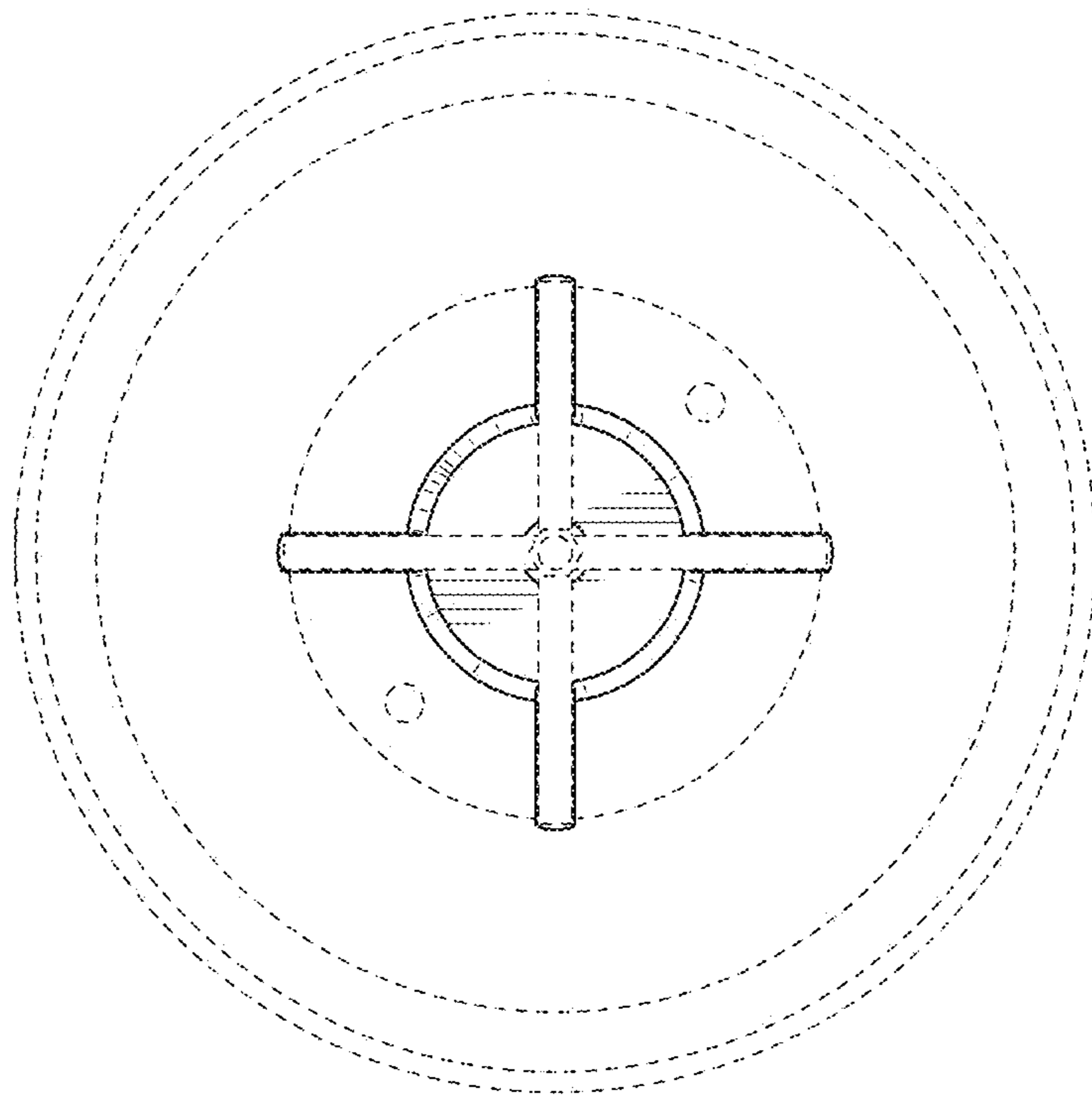


FIG. 17