



US00D882454S

(12) **United States Design Patent**
Chen

(10) **Patent No.:** **US D882,454 S**

(45) **Date of Patent:** **** Apr. 28, 2020**

(54) **STRAP BUCKLE**

(71) Applicant: **Zhi Qiang Chen**, Dongguan (CN)

(72) Inventor: **Zhi Qiang Chen**, Dongguan (CN)

(**) Term: **15 Years**

(21) Appl. No.: **29/715,191**

(22) Filed: **Nov. 28, 2019**

(51) **LOC (12) Cl.** **11-01**

(52) **U.S. Cl.**
USPC **D11/87; D11/3**

(58) **Field of Classification Search**
USPC D11/200, 201, 210, 211, 215, 218, 87,
D11/94, 234, 235, 236, 237, 93, 3, 14,
D11/86; D8/382

CPC A44B 11/00; A44B 11/006; A44B 11/18;
A44B 11/20; A44B 11/22; A44B 11/24;
A44B 11/25; A44B 11/2592; A44B
11/2596; A44B 19/00; A44B 19/26; A44B
99/005; A44C 5/02; A44C 5/022; A44C
5/025; A44C 5/102; A44C 5/105; A44C
5/107; A44C 5/145; A44C 5/2057; A44C
5/2061; A44C 5/2085

See application file for complete search history.

(56) **References Cited**

U.S. PATENT DOCUMENTS

- 5,440,787 A * 8/1995 Figueroa A41D 25/04
2/155
- D479,812 S 9/2003 Calvani
- D480,989 S 10/2003 Modolo
- D742,780 S * 11/2015 Barnes D11/87
- D749,009 S * 2/2016 Akana D11/94

- D787,981 S 5/2017 Hahn et al.
- D798,189 S * 9/2017 Nielsen D10/128
- D829,123 S * 9/2018 Nielsen D11/3
- D830,880 S * 10/2018 Akana D11/94
- 10,188,182 B2 * 1/2019 Weiss A44C 5/2085
- D862,459 S * 10/2019 Choplin D14/344
- D869,982 S * 12/2019 Paschke D11/94
- D874,311 S * 2/2020 Connor D11/3
- 2016/0270491 A1 * 9/2016 Spencer A44C 5/185
- 2020/0046090 A1 * 2/2020 Gunie A44C 5/2076

* cited by examiner

Primary Examiner — Sandra S Snapp

Assistant Examiner — Ieisha N Price

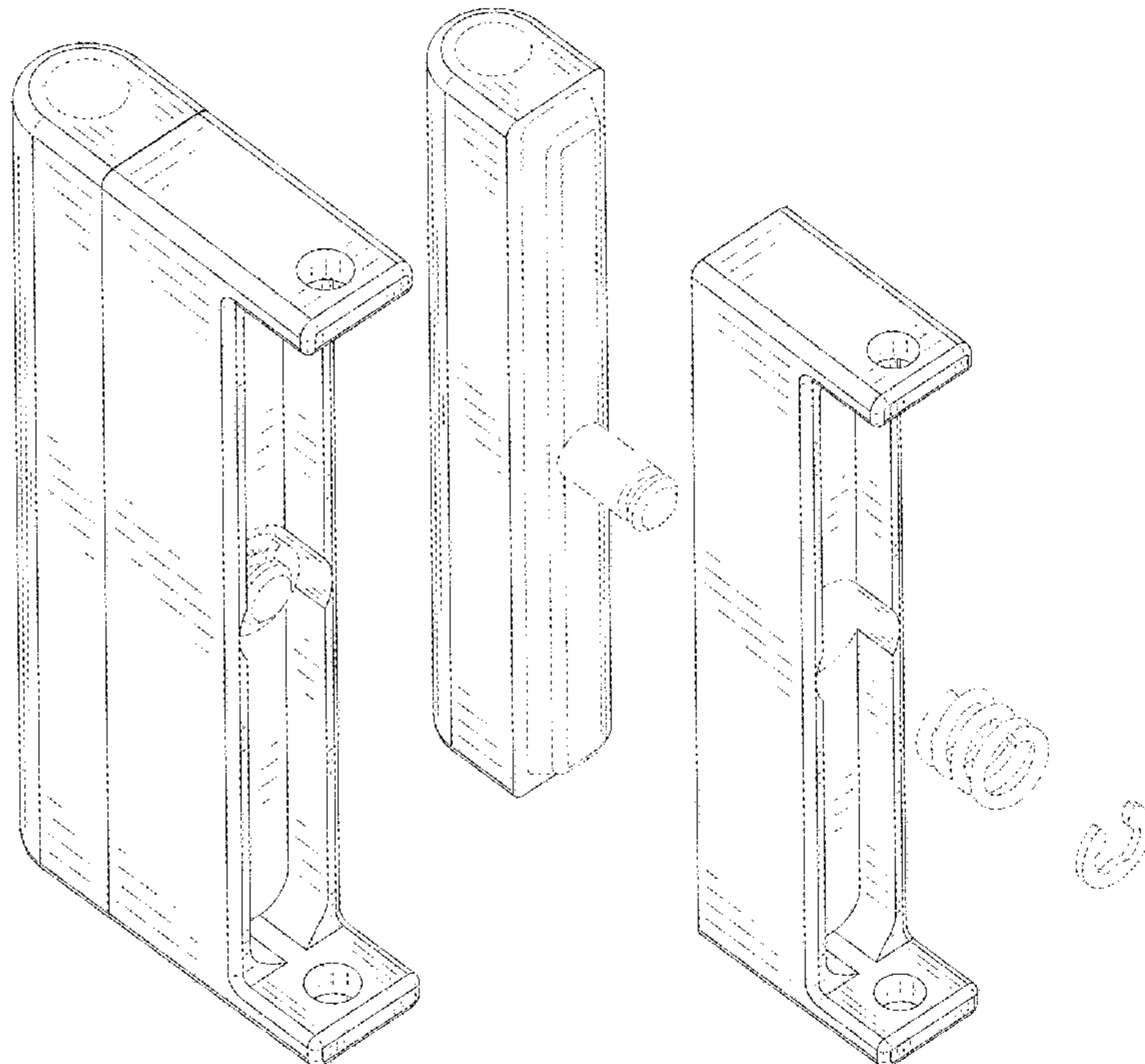
(57) **CLAIM**

The ornamental design for a strap buckle, as shown and described.

DESCRIPTION

FIG. 1 is a perspective view of a strap buckle showing my new design;
 FIG. 2 is another perspective view thereof;
 FIG. 3 is a front elevational view thereof;
 FIG. 4 is a rear elevational view thereof;
 FIG. 5 is a left side elevational view thereof;
 FIG. 6 is a right side elevational view thereof;
 FIG. 7 is a top plan view thereof;
 FIG. 8 is a bottom plan view thereof;
 FIG. 9 is a perspective view of the strap buckle where the strap buckle is in a configuration of use; and,
 FIG. 10 is an exploded perspective view of the strap buckle. The broken lines in the drawings depict portions of the strap buckle that form no part of the claimed design.

1 Claim, 10 Drawing Sheets



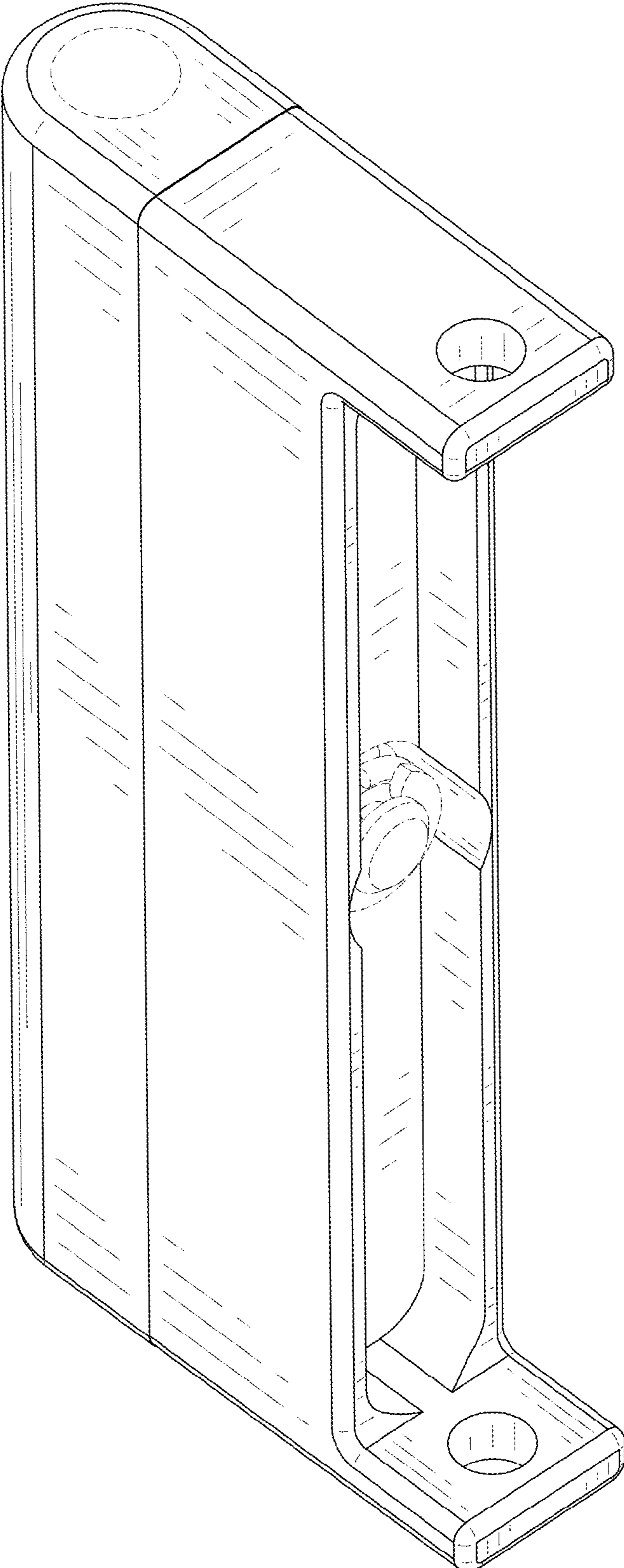


FIG. 1

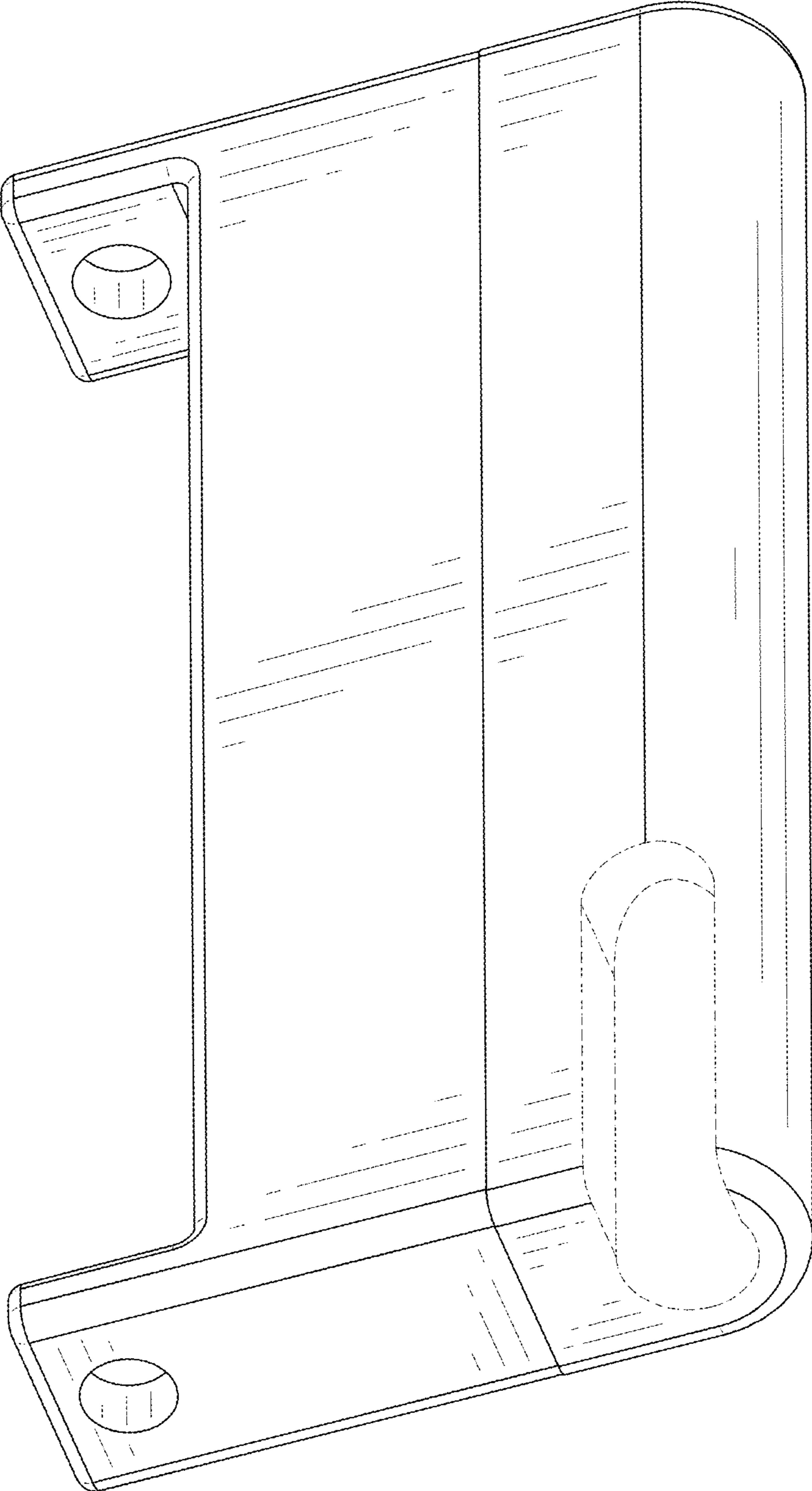


FIG. 2

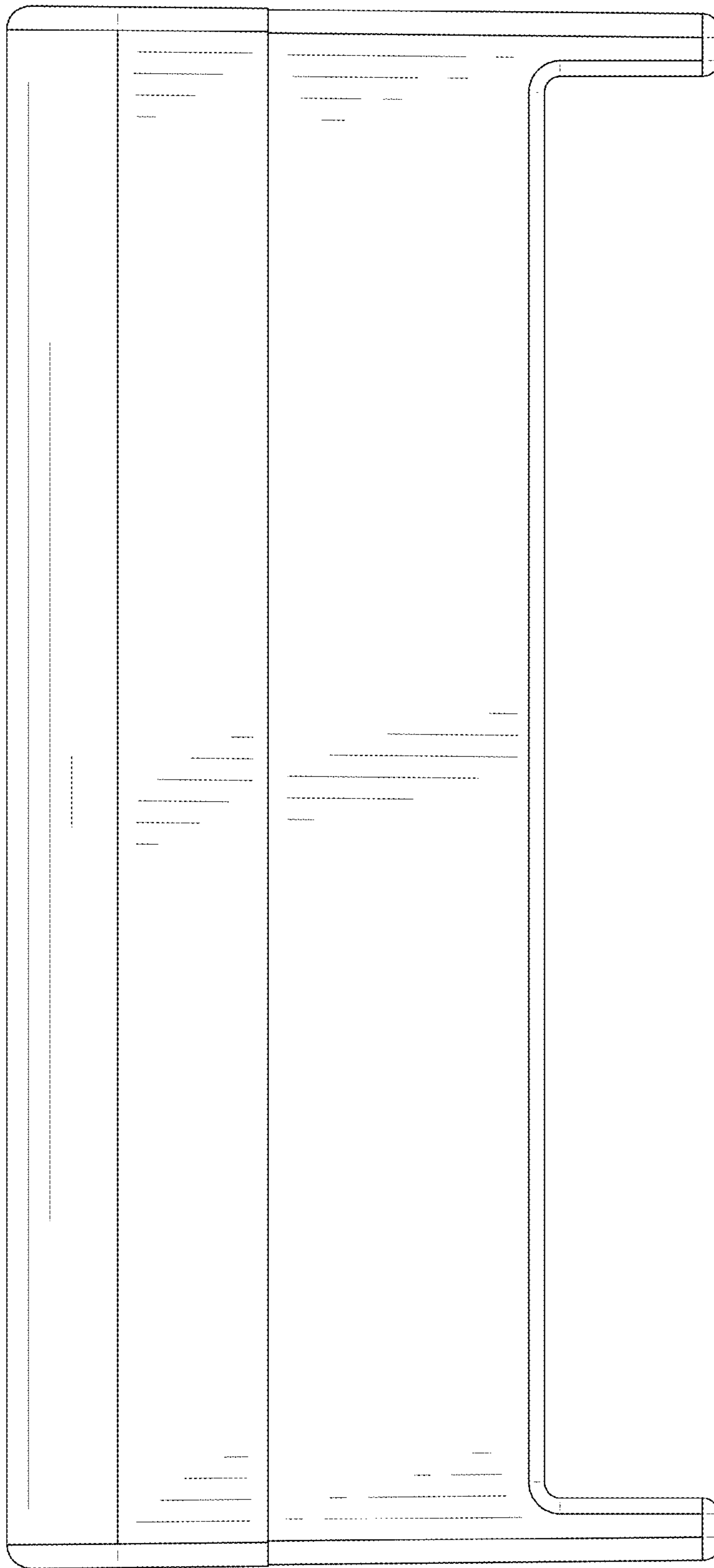


FIG. 3

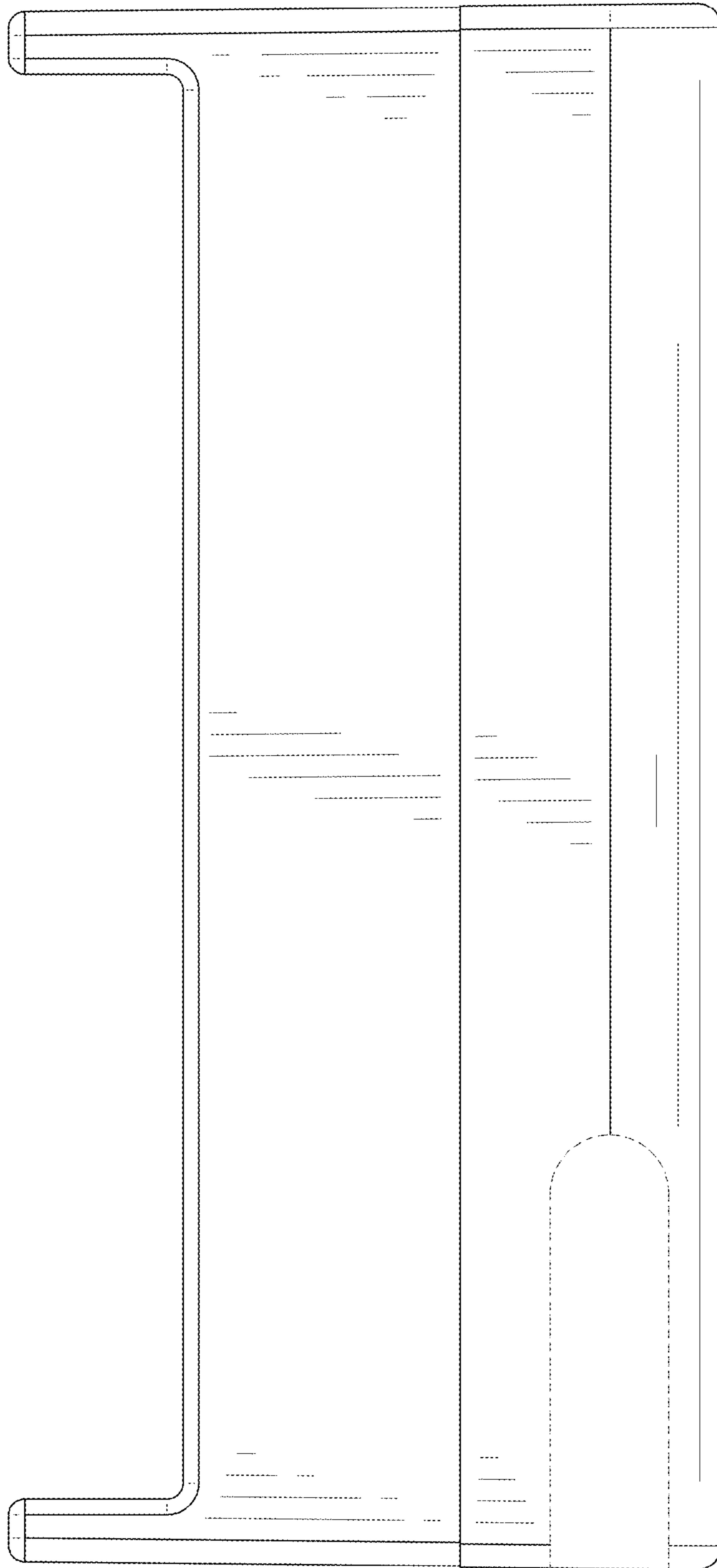


FIG. 4

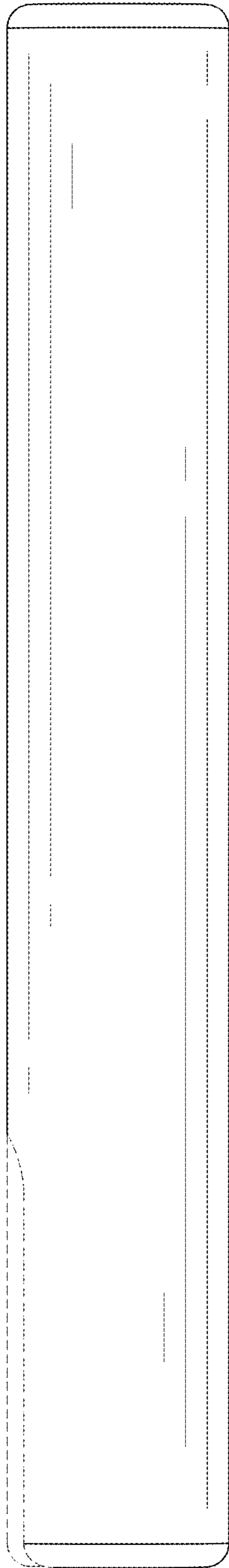


FIG. 5

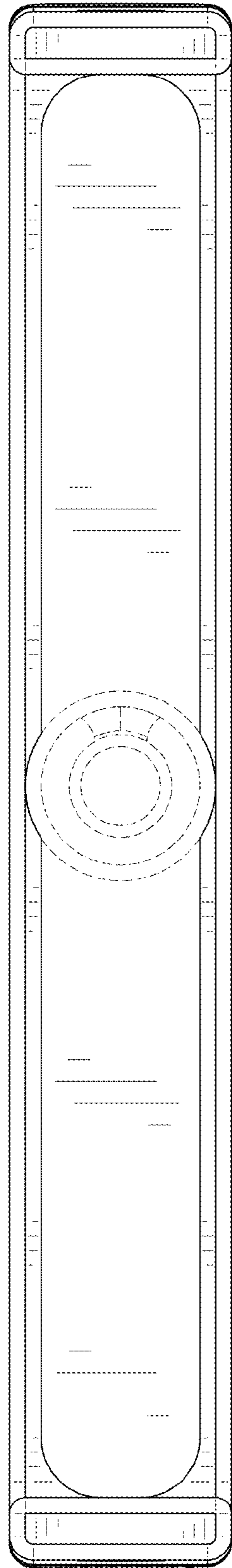


FIG. 6

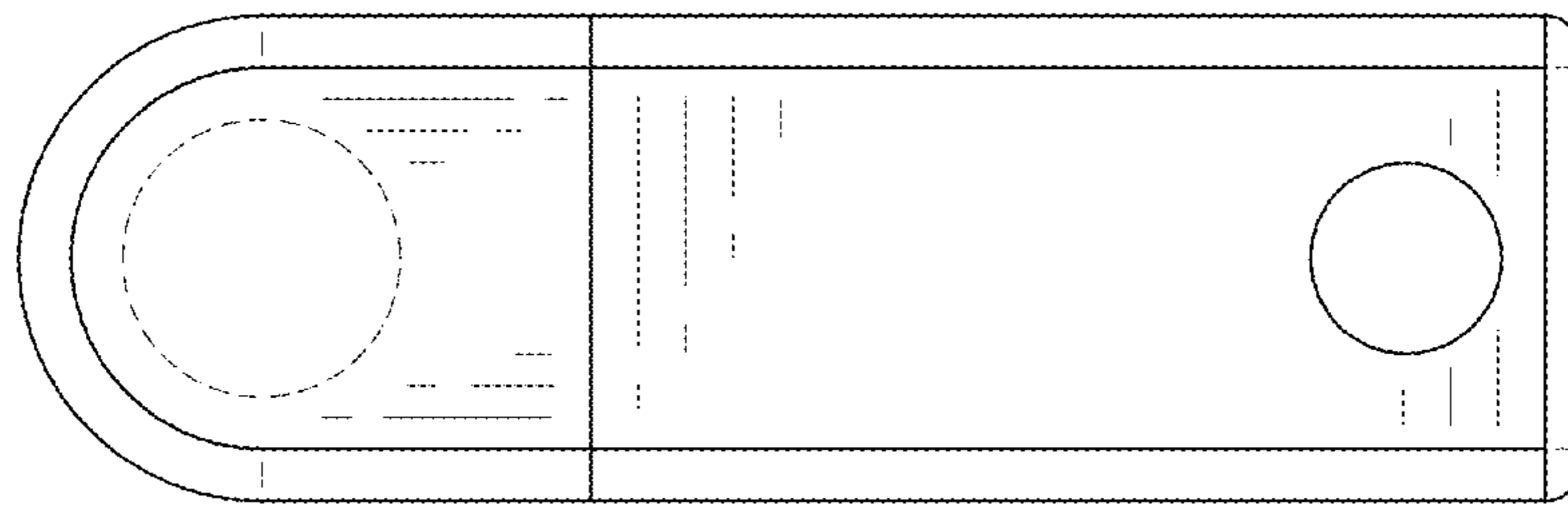


FIG. 7

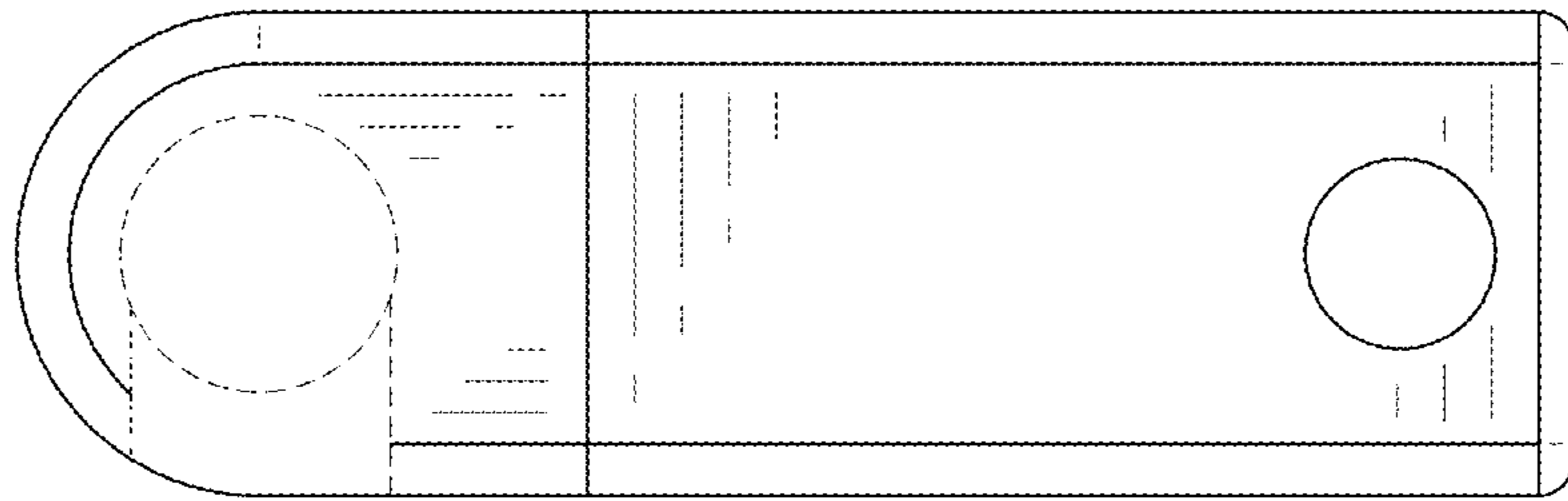


FIG. 8

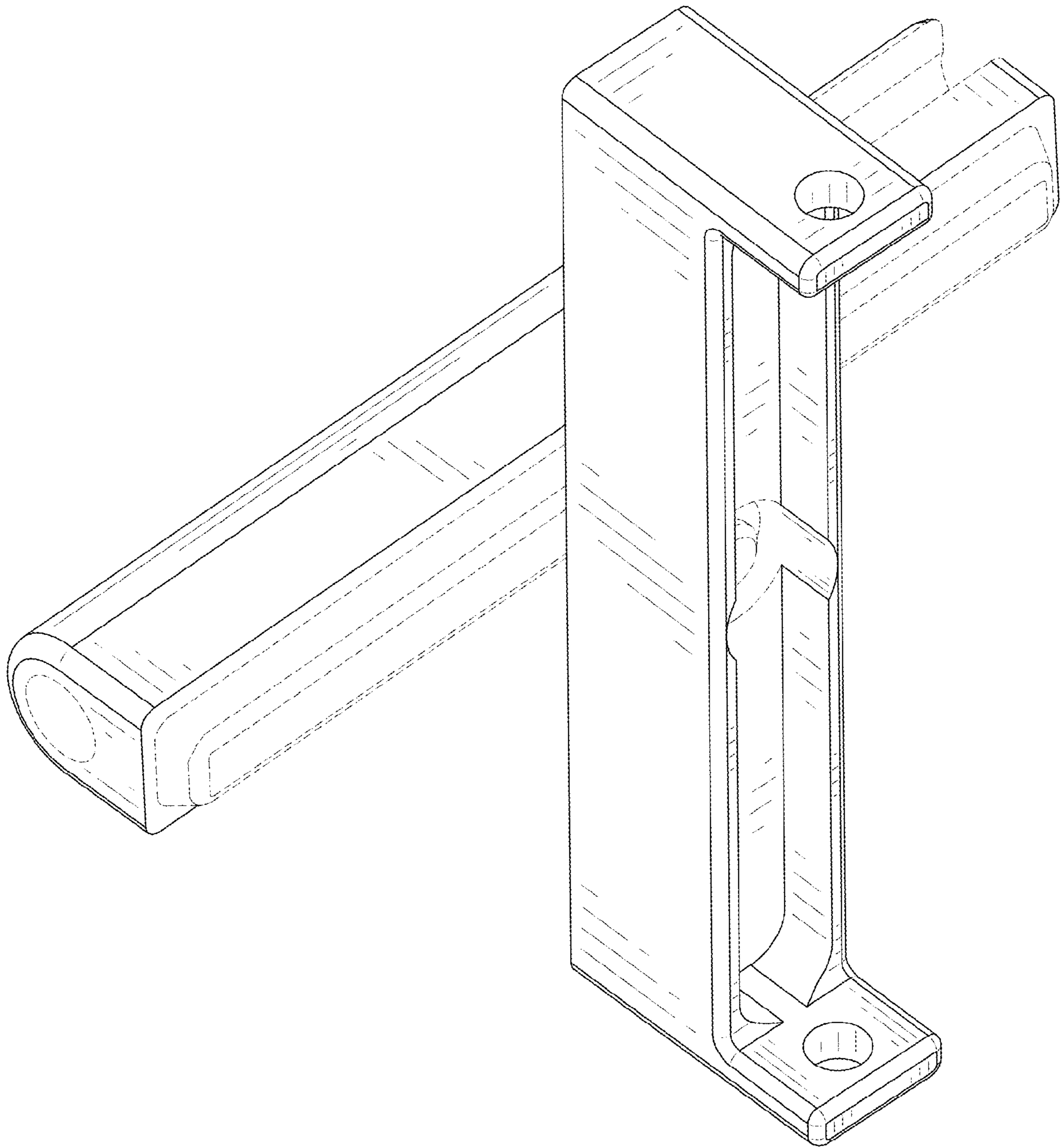


FIG. 9

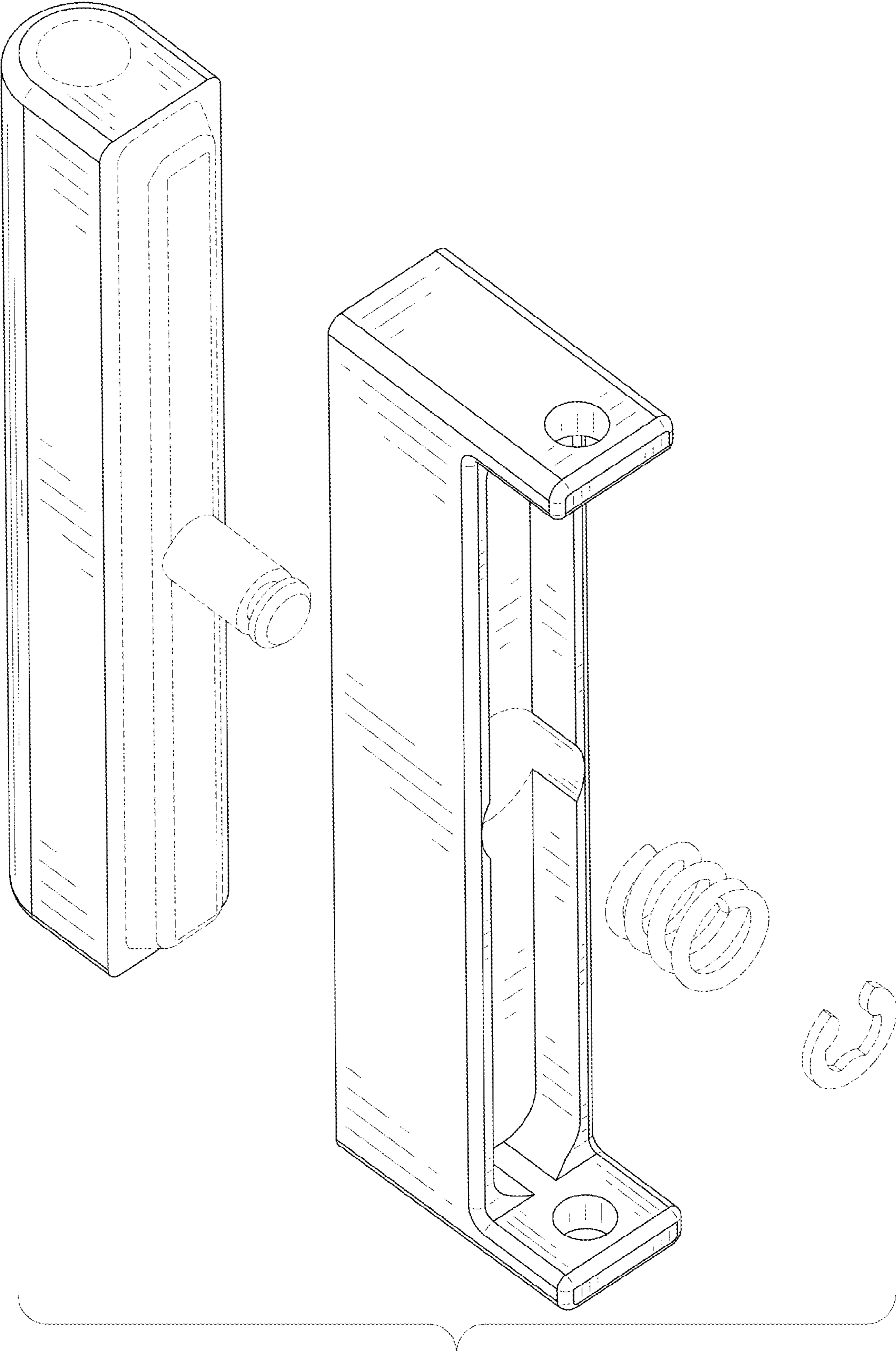


FIG. 10