



US00D882453S

(12) **United States Design Patent**  
**Duncan et al.**

(10) **Patent No.:** **US D882,453 S**  
(45) **Date of Patent:** **\*\* Apr. 28, 2020**

- (54) **MAGNETIC JEWELRY CLASP**
- (71) Applicants: **William Stuart Duncan**, Georgetown, SC (US); **Beeman E. Burgoon, Jr.**, Georgetown, SC (US)
- (72) Inventors: **William Stuart Duncan**, Georgetown, SC (US); **Beeman E. Burgoon, Jr.**, Georgetown, SC (US)

6,598,272 B2	7/2003	Nire	
7,007,507 B2	3/2006	Enevoldson	
7,207,091 B2 *	4/2007	Dunaye .....	A44C 5/2071 24/303
7,690,088 B2 *	4/2010	Kogen .....	A44C 5/2042 24/303
8,752,252 B2 *	6/2014	Ninomiya .....	H01F 7/0263 24/303
9,101,185 B1	8/2015	Greenberg	
2003/0005558 A1 *	1/2003	Wong .....	A41F 1/006 24/303

(\*\*) Term: **15 Years**

(Continued)

(21) Appl. No.: **29/698,601**

**FOREIGN PATENT DOCUMENTS**

(22) Filed: **Jul. 18, 2019**

DE 202014105724 U1 3/2016

**Related U.S. Application Data**

*Primary Examiner* — Zenia I Bennett

(63) Continuation of application No. 16/044,700, filed on Jul. 25, 2018, now Pat. No. 10,376,022.

(74) *Attorney, Agent, or Firm* — Carlson, Gaskey & Olds, P.C.

(51) **LOC (12) Cl.** ..... **11-01**

(57) **CLAIM**

(52) **U.S. Cl.**

USPC ..... **D11/87**

(58) **Field of Classification Search**

USPC ..... D11/1-29, 86-88

CPC ..... A44C 5/00; A44C 5/002; A44C 5/2085;  
A44C 5/2042; A44C 5/2071

See application file for complete search history.

We claim the ornamental design for a magnetic jewelry clasp, as shown and described.

**DESCRIPTION**

(56) **References Cited**

**U.S. PATENT DOCUMENTS**

2,615,227 A	10/1952	Hornik	
2,648,884 A	8/1953	Loofboro	
3,008,209 A	11/1961	Kurt	
4,231,137 A	11/1980	Fujimoto	
4,622,726 A *	11/1986	Nakamura .....	A44C 5/2057 24/303
4,901,405 A	2/1990	Grover et al.	
5,664,298 A	9/1997	Nessar-Ivanovic	
6,292,985 B1 *	9/2001	Grunberger .....	A44B 11/2592 24/303
6,598,271 B2	7/2003	Nire	

FIG. 1 is a perspective view of a disclosed magnetic jewelry clasp.

FIG. 2 is a first side view of the disclosed magnetic jewelry clasp.

FIG. 3 is a second side view of the disclosed magnetic jewelry clasp.

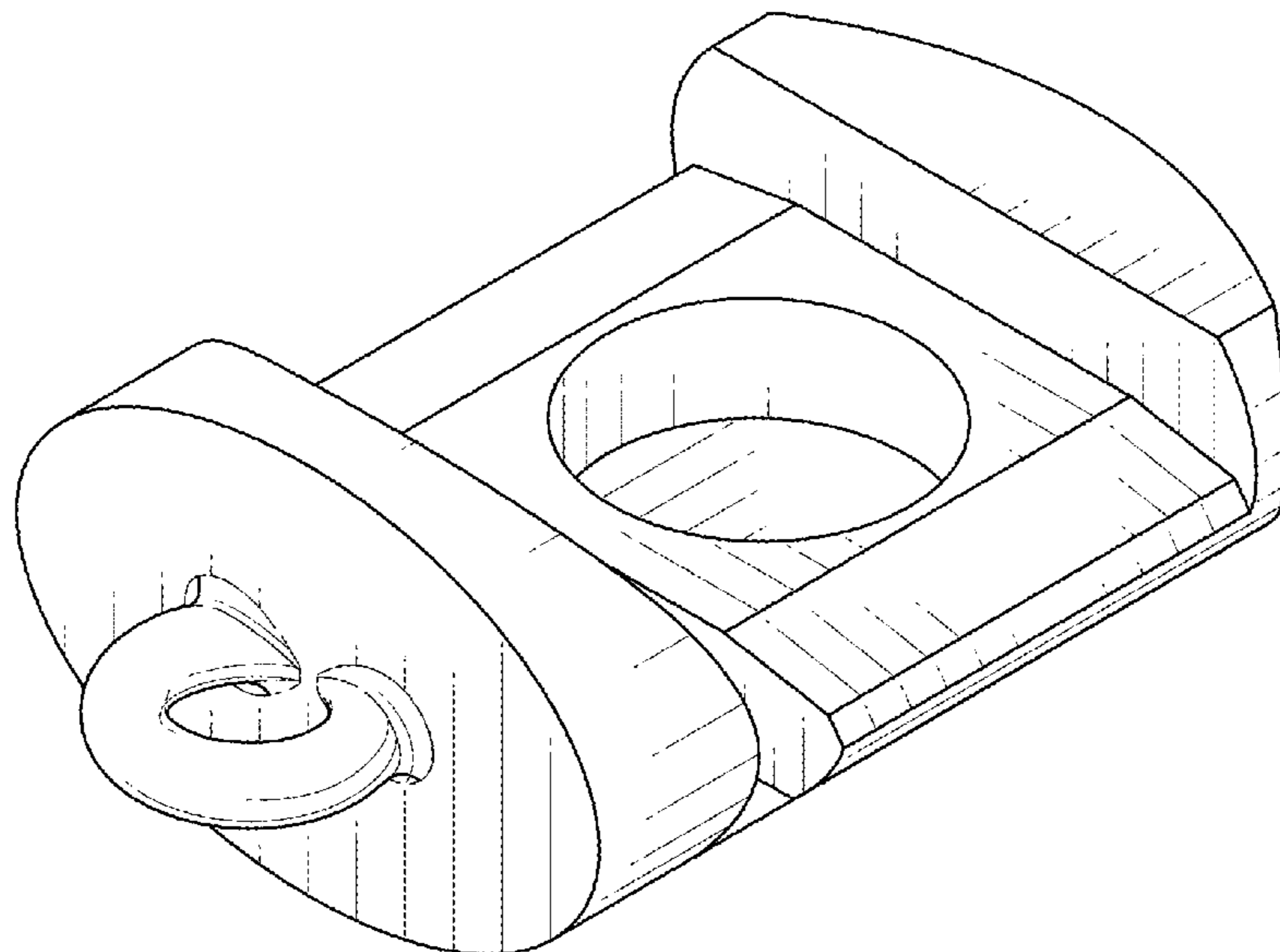
FIG. 4 is a first end view of the disclosed magnetic jewelry.

FIG. 5 is second end view the disclosed magnetic jewelry clasp.

FIG. 6 is a top view of the disclosed magnetic jewelry clasp; and,

FIG. 7 is a bottom of the disclosed magnetic jewelry clasp.

**1 Claim, 3 Drawing Sheets**



(56)

**References Cited**

U.S. PATENT DOCUMENTS

2012/0044031 A1 \* 2/2012 Ninomiya ..... A44C 5/2085  
335/219

\* cited by examiner

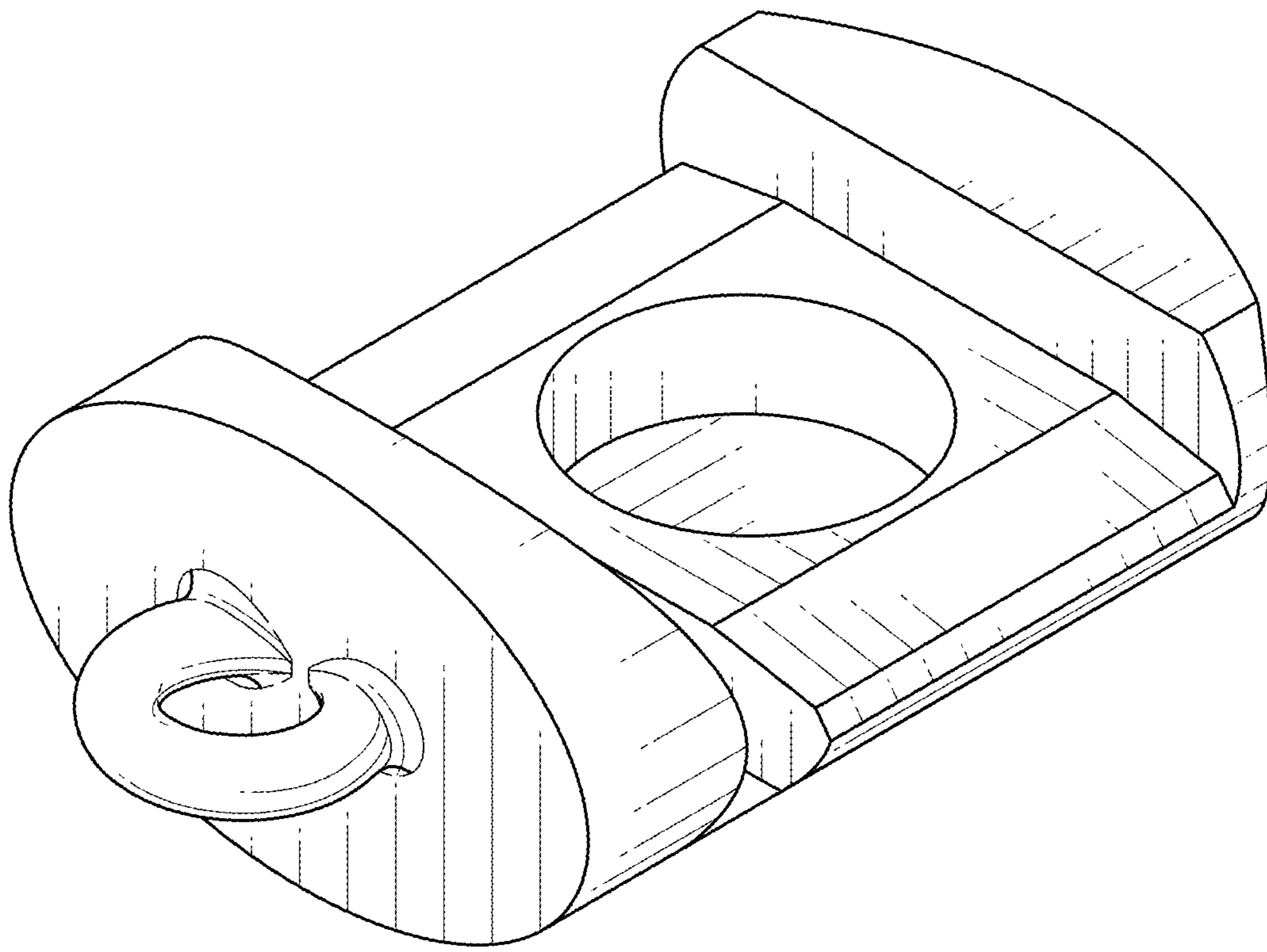


FIG. 1

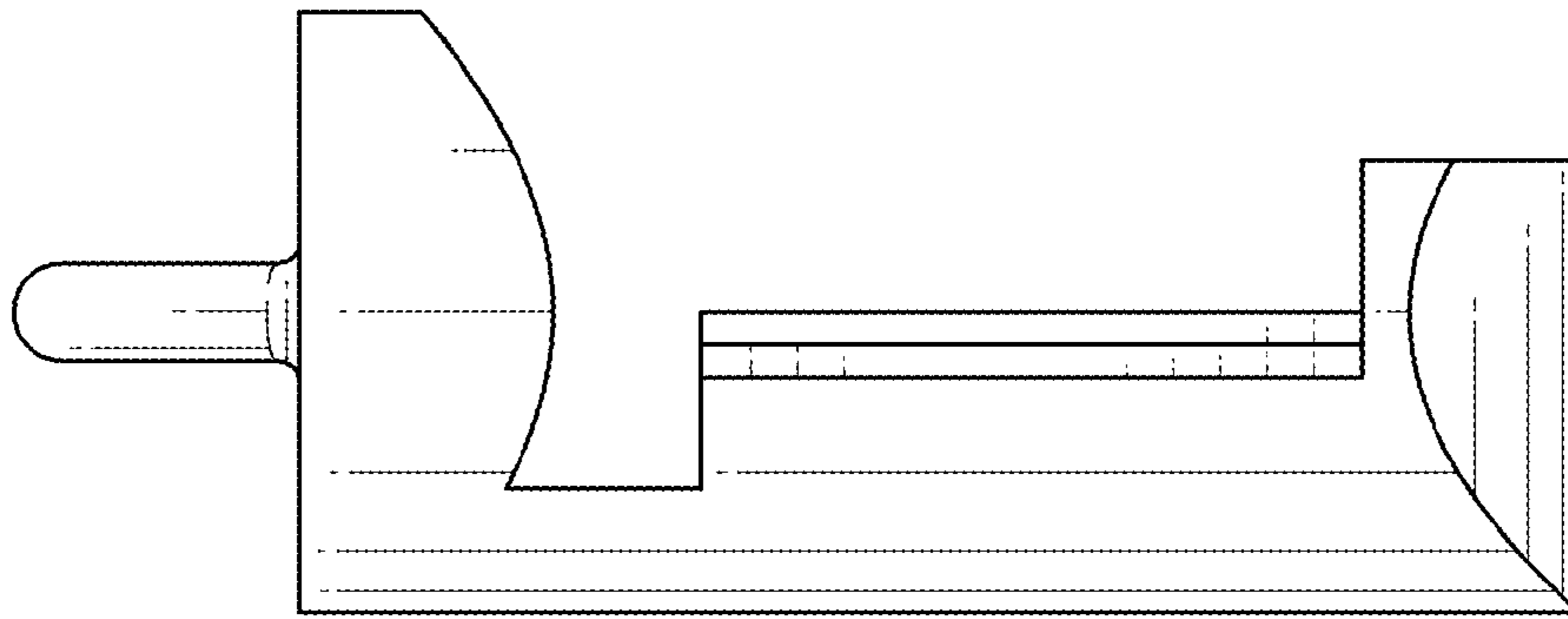


FIG. 2

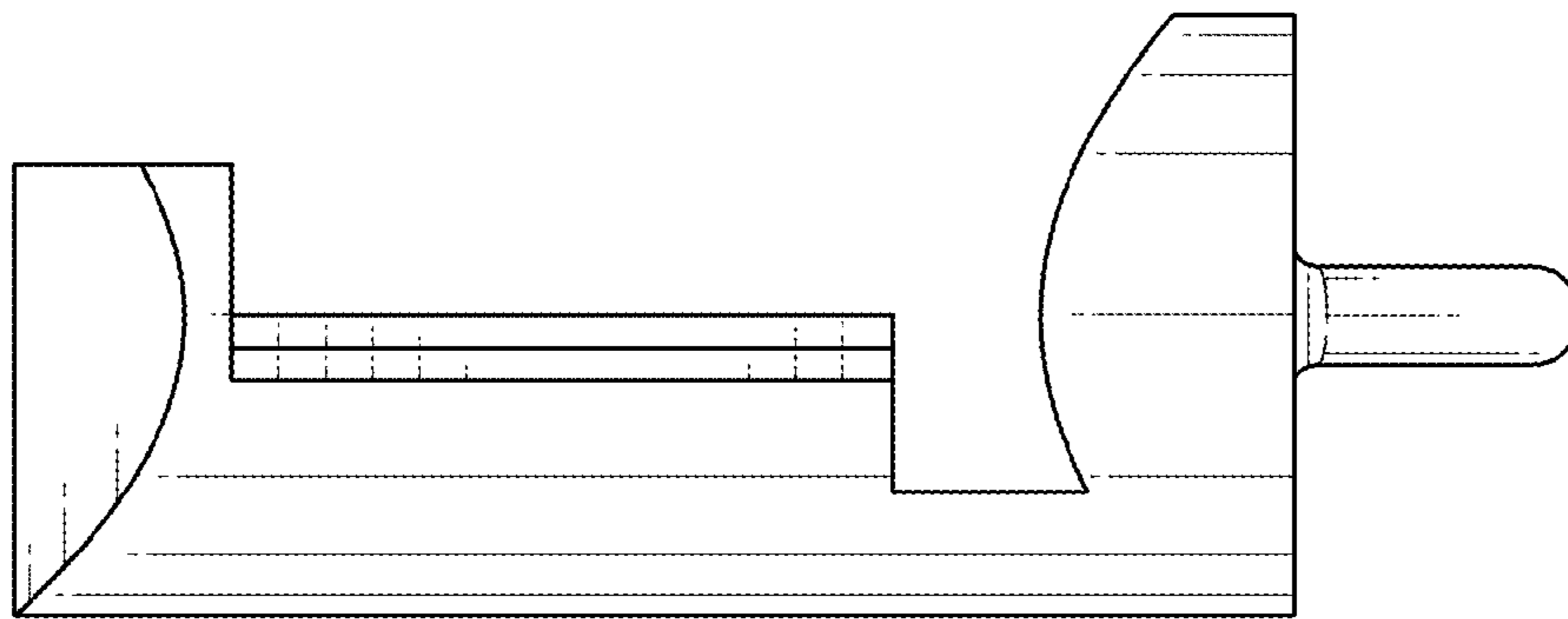


FIG. 3

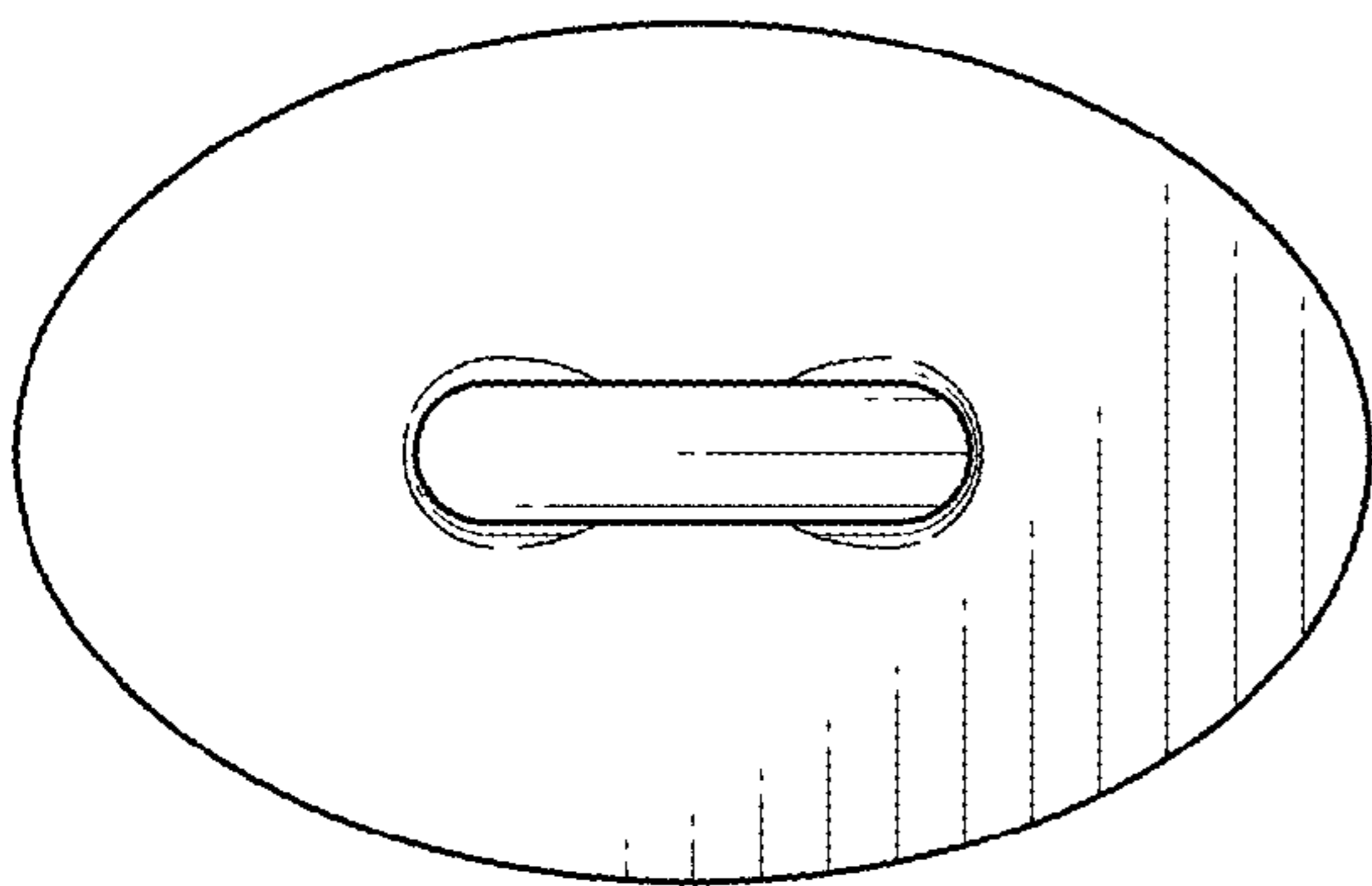


FIG. 4

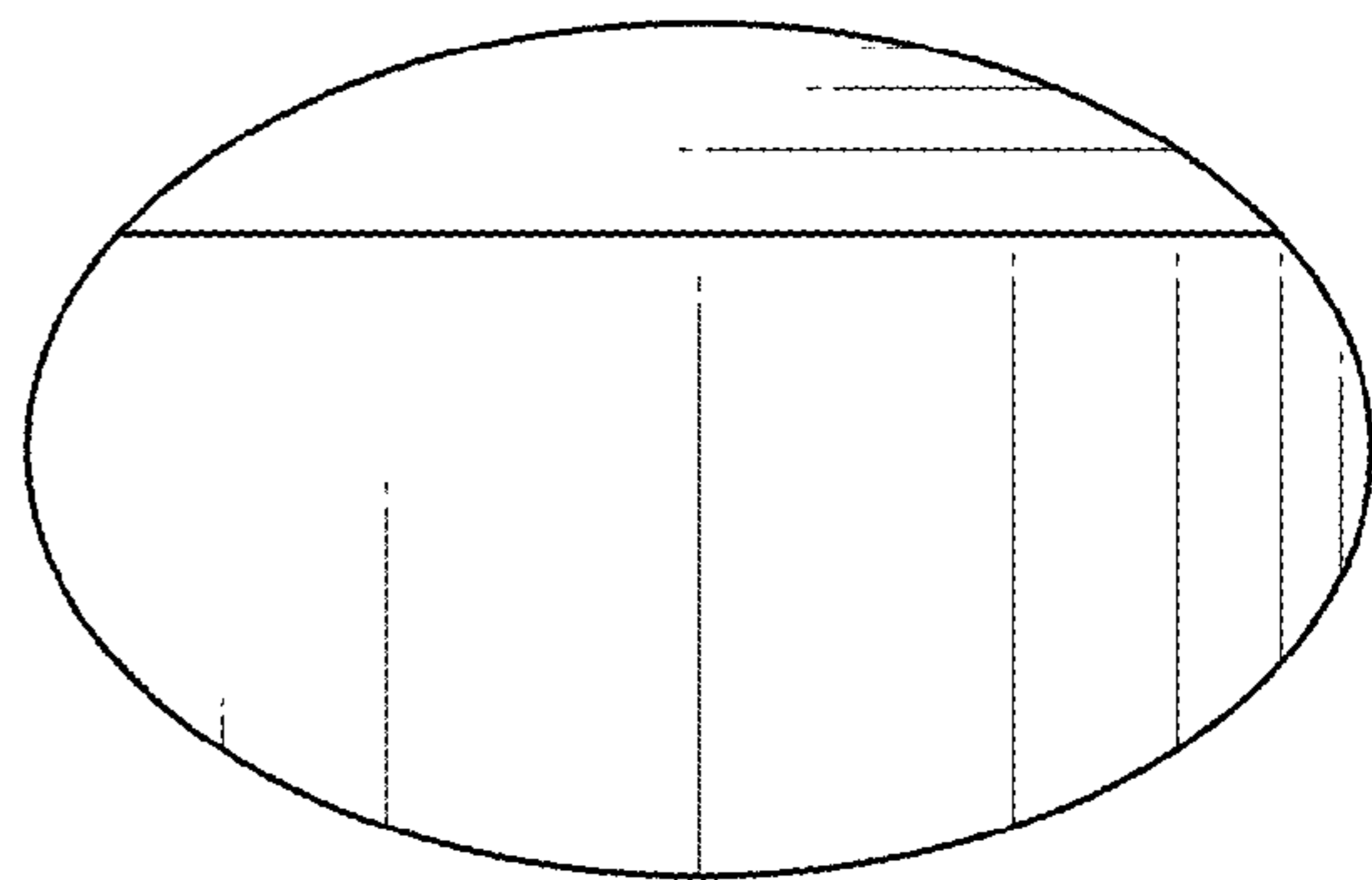


FIG. 5

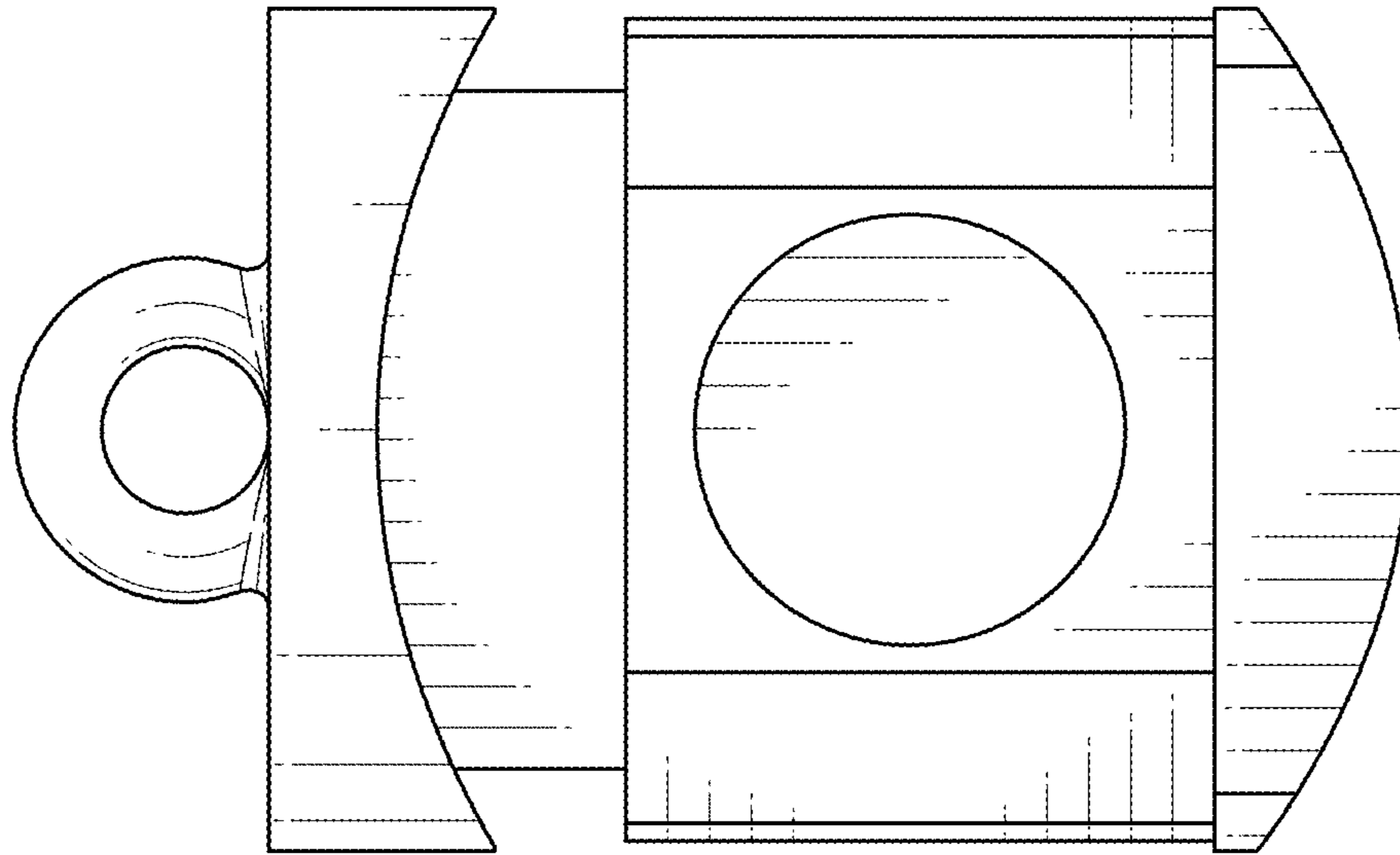


FIG. 6

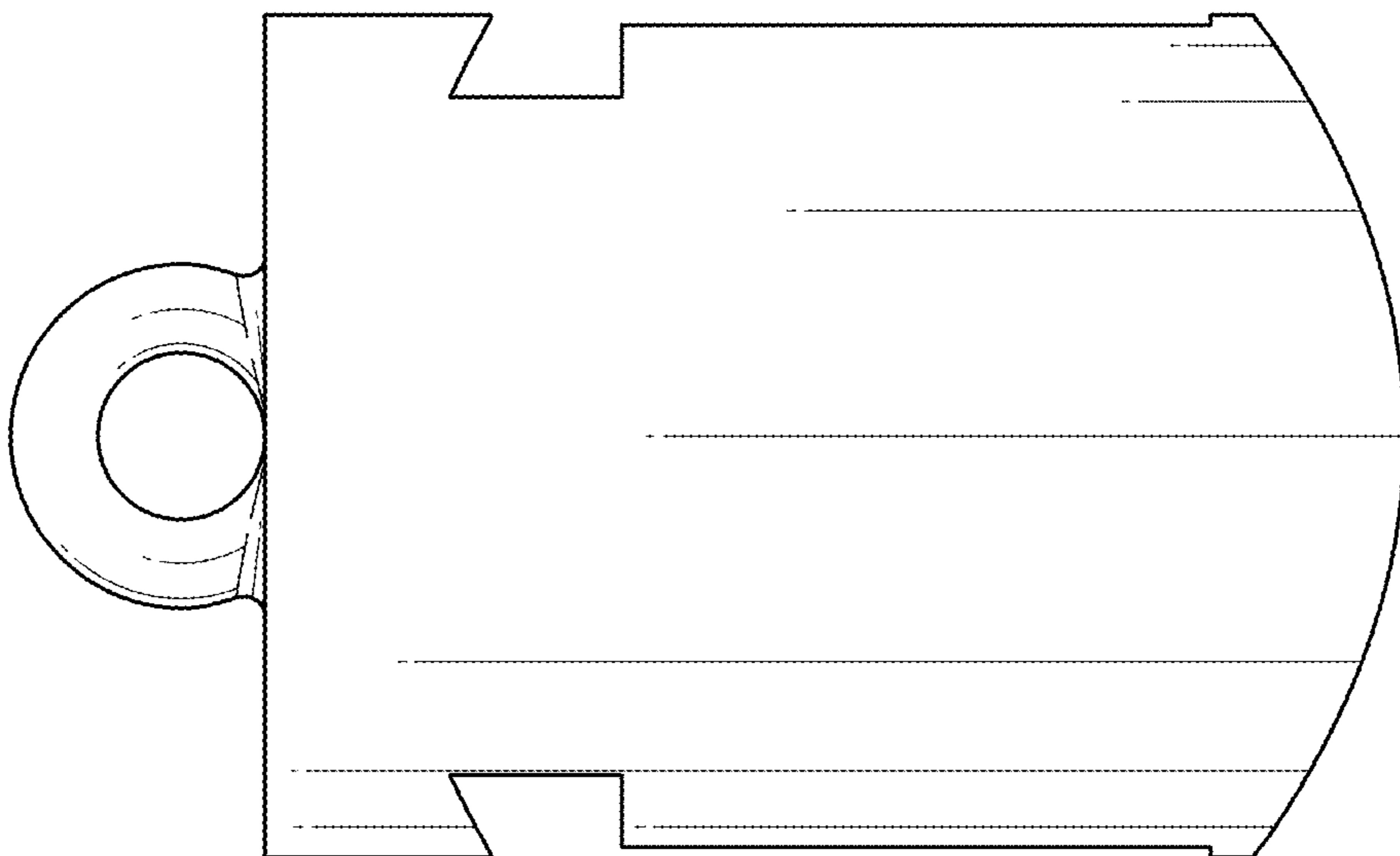


FIG. 7