



US00D882452S

(12) **United States Design Patent**
Duncan et al.

(10) **Patent No.:** **US D882,452 S**
(45) **Date of Patent:** **** Apr. 28, 2020**

- (54) **MAGNETIC JEWELRY CLASP**
- (71) Applicants: **William Stuart Duncan**, Georgetown, SC (US); **Beeman E. Burgoon, Jr.**, Georgetown, SC (US)
- (72) Inventors: **William Stuart Duncan**, Georgetown, SC (US); **Beeman E. Burgoon, Jr.**, Georgetown, SC (US)

7,207,091 B2 * 4/2007 Dunaye A44C 5/2071
24/303
7,690,088 B2 * 4/2010 Kogen A44C 5/2042
24/303
8,752,252 B2 * 6/2014 Ninomiya H01F 7/0263
24/303
9,101,185 B1 8/2015 Greenberg
2003/0005558 A1 * 1/2003 Wong A41F 1/006
24/303
2012/0044031 A1 * 2/2012 Ninomiya A44C 5/2085
335/219

(**) Term: **15 Years**

FOREIGN PATENT DOCUMENTS

(21) Appl. No.: **29/698,599**

DE 202014105724 U1 3/2016

(22) Filed: **Jul. 18, 2019**

* cited by examiner

(51) **LOC (12) Cl.** **11-01**

Primary Examiner — Zenia I Bennett

(52) **U.S. Cl.**

(74) *Attorney, Agent, or Firm* — Carlson, Gaskey & Olds, P.C.

USPC **D11/87**

(58) **Field of Classification Search**

USPC D11/1–29, 86–88
CPC A44C 5/00; A44C 5/002; A44C 5/2085;
A44C 5/2042; A44C 5/2071

See application file for complete search history.

(57) **CLAIM**

We claim the ornamental design for a magnetic jewelry clasp, as shown and described.

DESCRIPTION

(56) **References Cited**

U.S. PATENT DOCUMENTS

2,615,227 A 10/1952 Hornik
2,648,884 A 8/1953 Loofboro
3,008,209 A 11/1961 Kurt
4,231,137 A 11/1980 Fujimoto
4,622,726 A * 11/1986 Nakamura A44C 5/2057
24/303
4,901,405 A 2/1990 Grover et al.
5,664,298 A 9/1997 Nessar-Ivanovic
6,292,985 B1 * 9/2001 Grunberger A44B 11/2592
24/303
6,598,271 B2 7/2003 Nire
6,598,272 B2 7/2003 Nire
7,007,507 B2 3/2006 Enevoldson

FIG. 1 is a perspective view of a disclosed magnetic jewelry clasp.

FIG. 2 is a first side view of the disclosed magnetic jewelry clasp.

FIG. 3 is a second side view of the disclosed magnetic jewelry clasp.

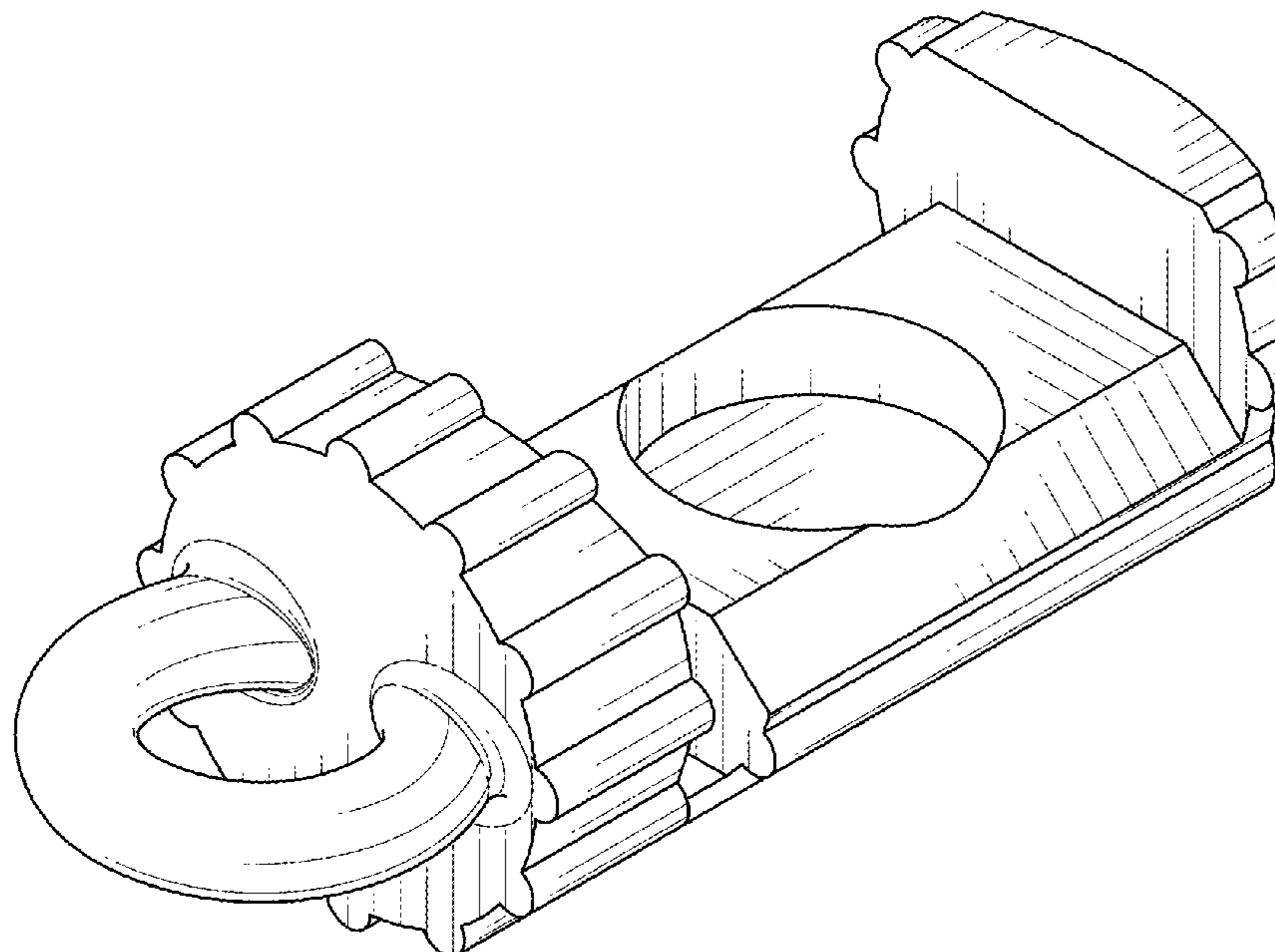
FIG. 4 is a first end view of the disclosed magnetic jewelry clasp.

FIG. 5 is second end view the disclosed magnetic jewelry clasp.

FIG. 6 is a top view of the disclosed magnetic jewelry clasp; and,

FIG. 7 is a bottom of the disclosed magnetic jewelry clasp.

1 Claim, 4 Drawing Sheets



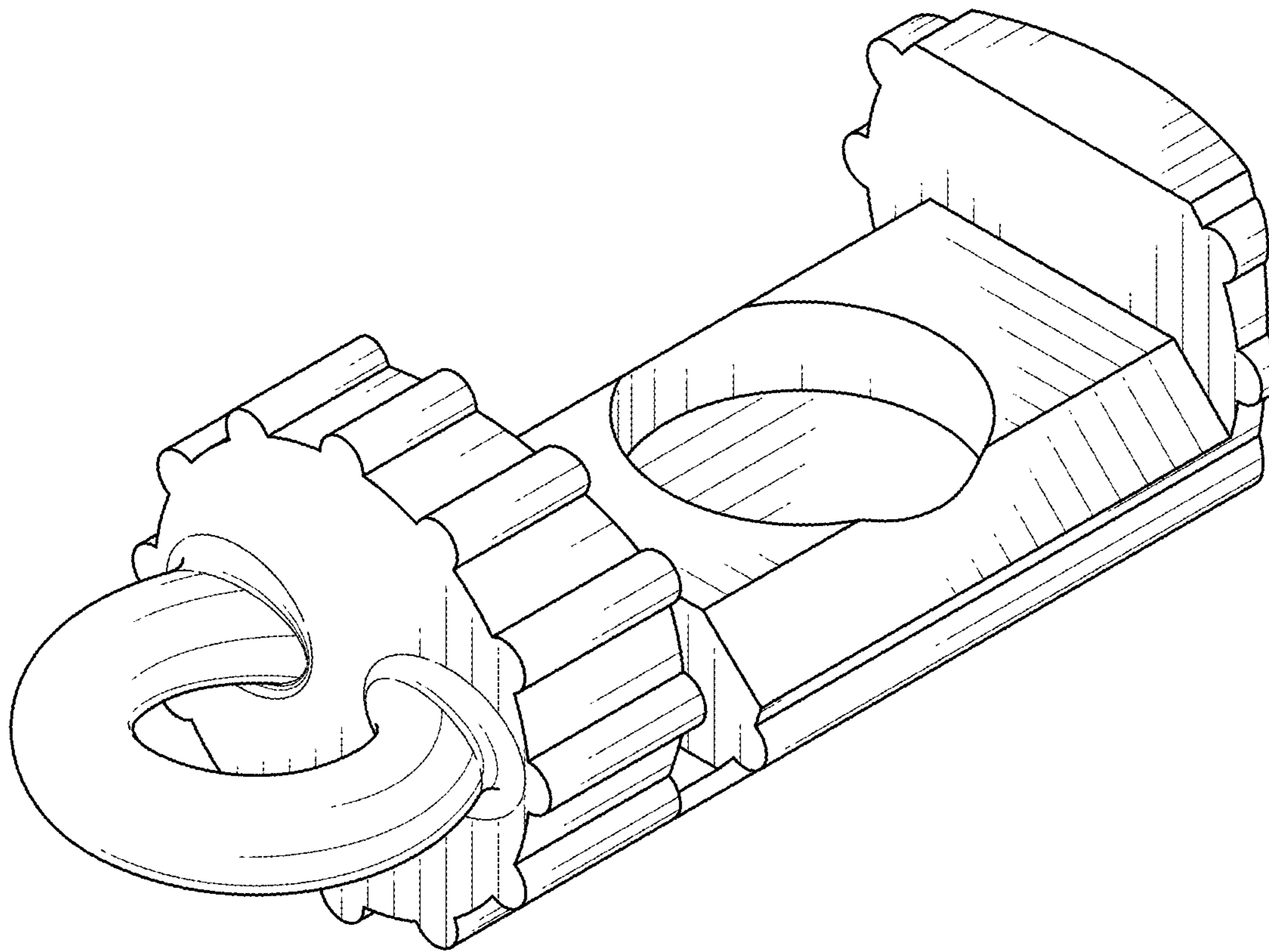


FIG. 1

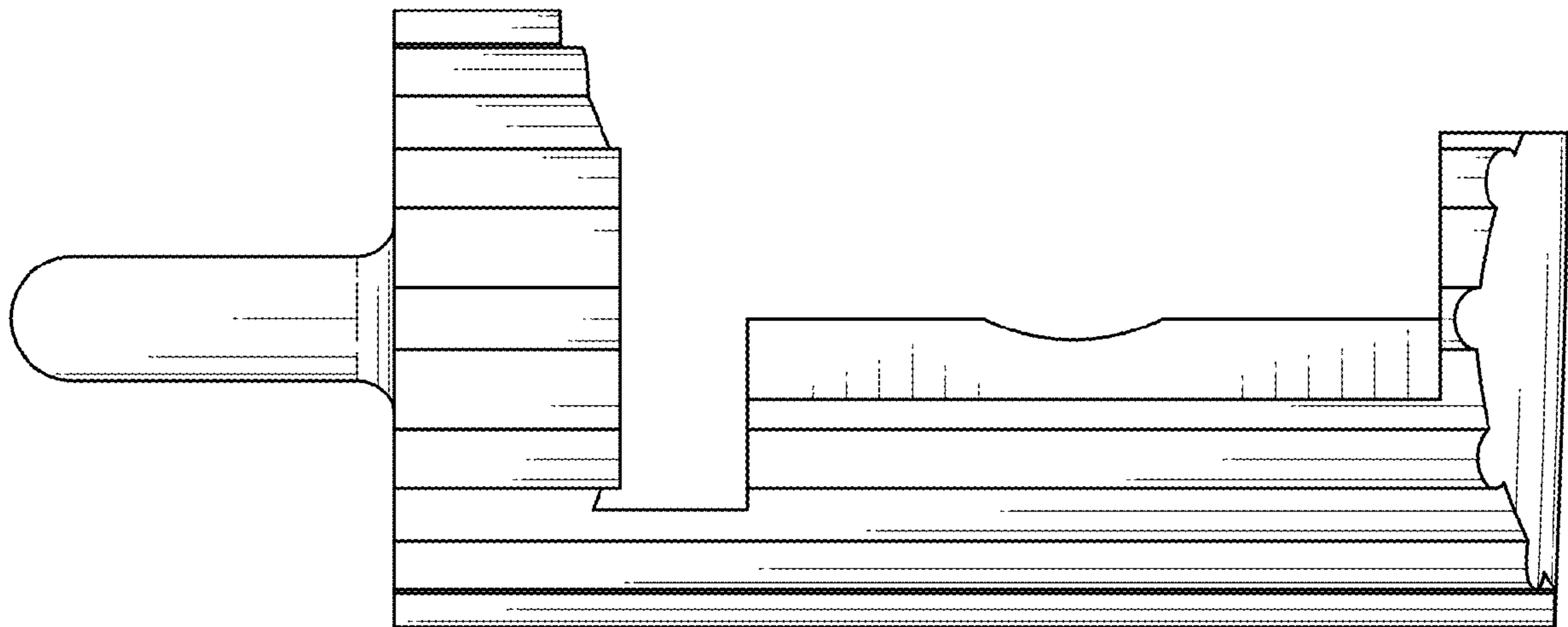


FIG. 2

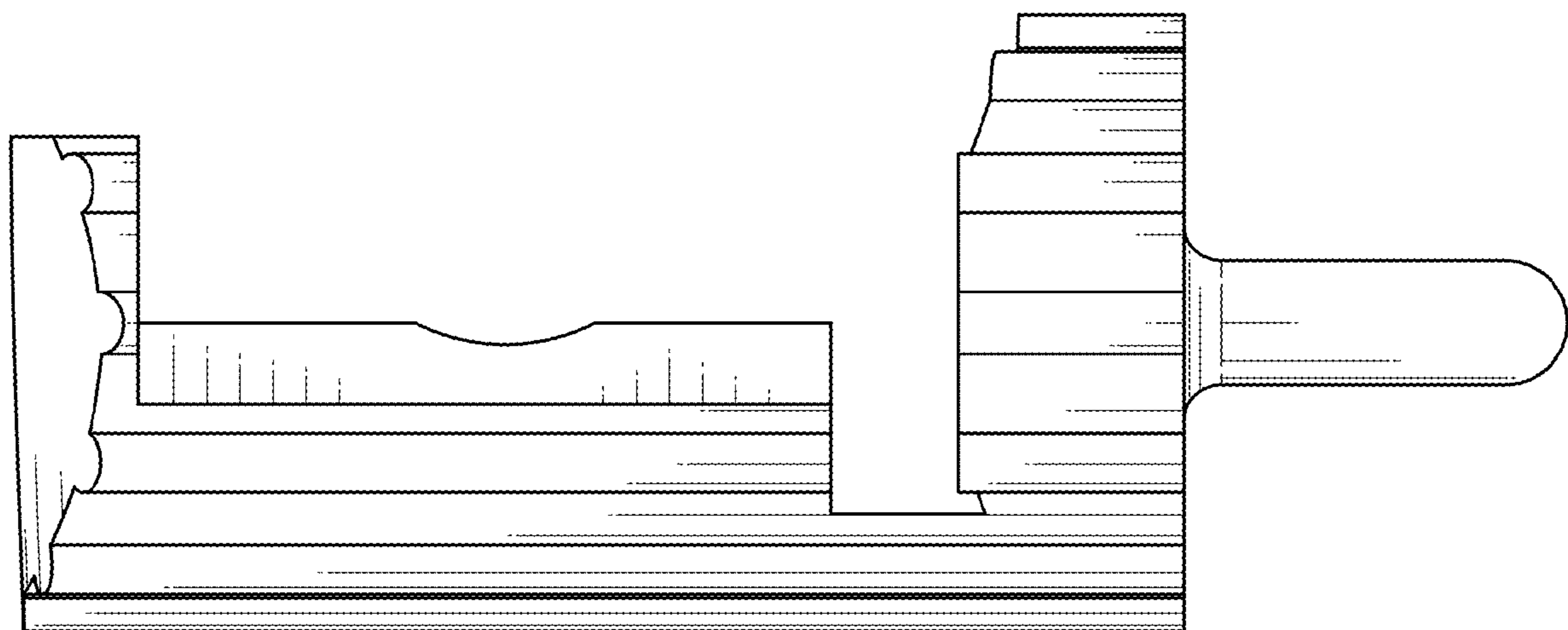


FIG. 3

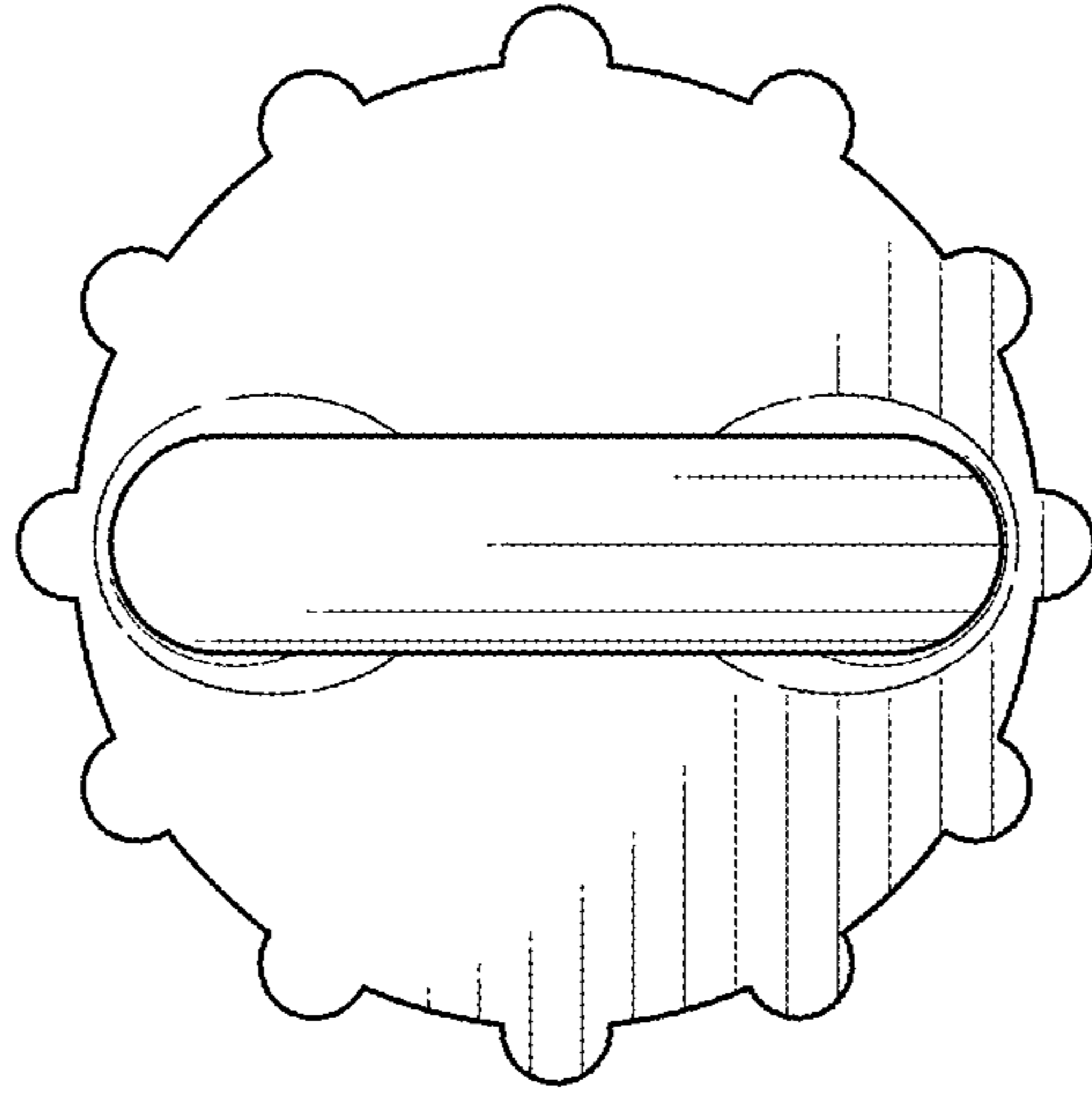


FIG. 4

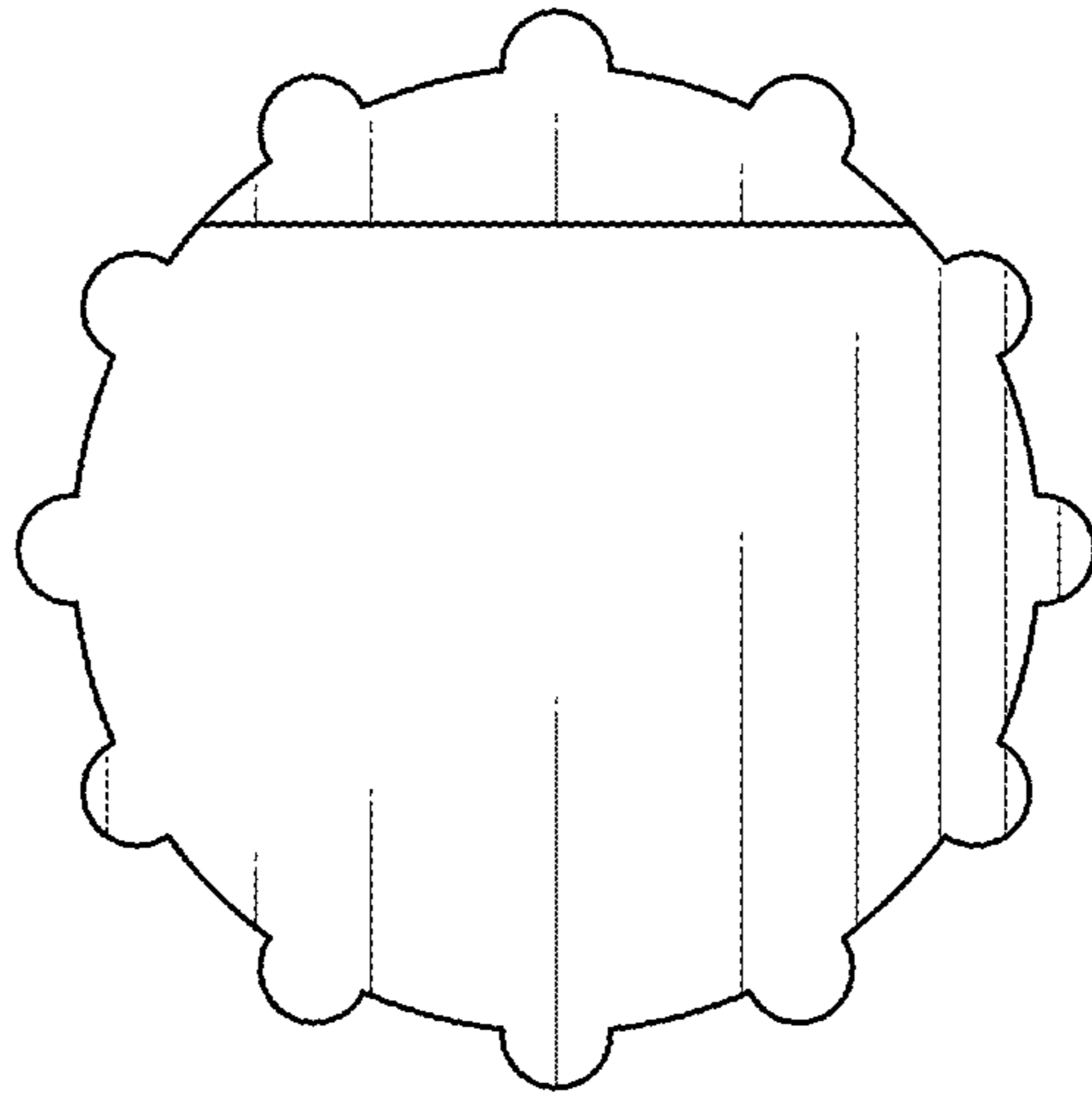


FIG. 5

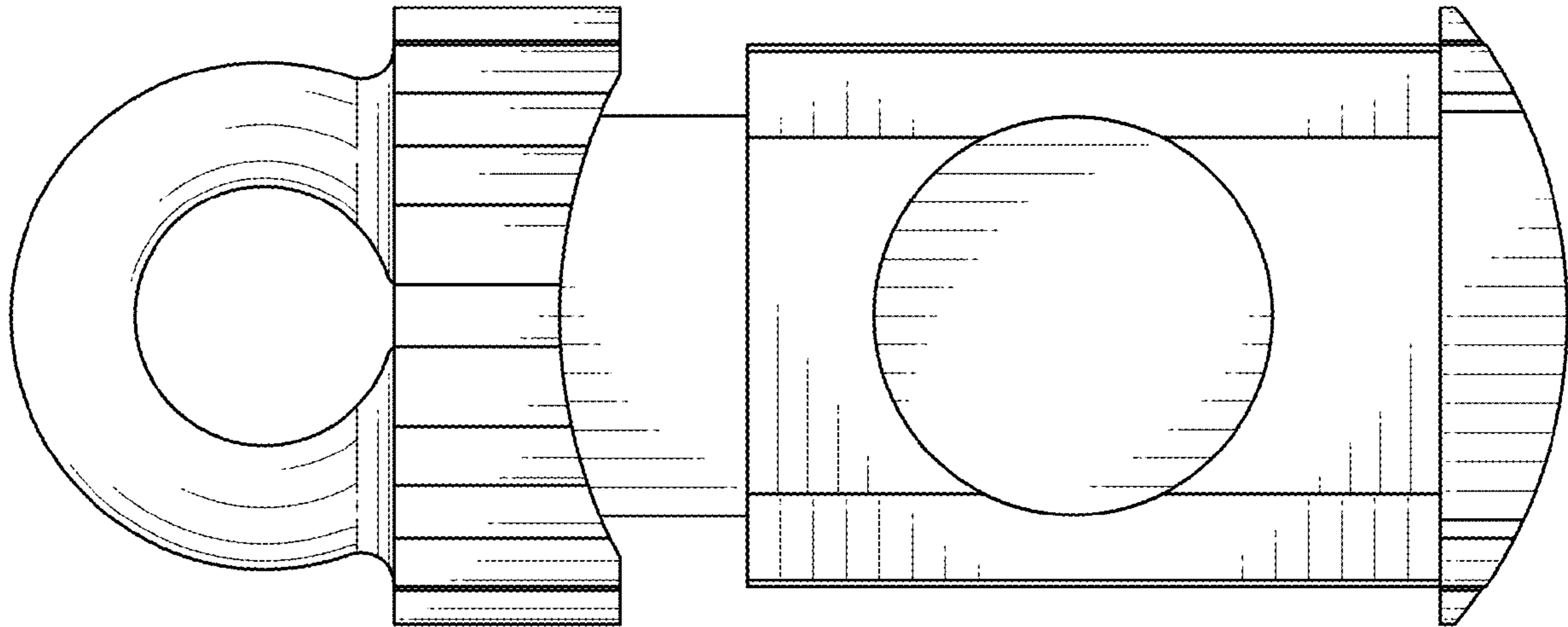


FIG. 6

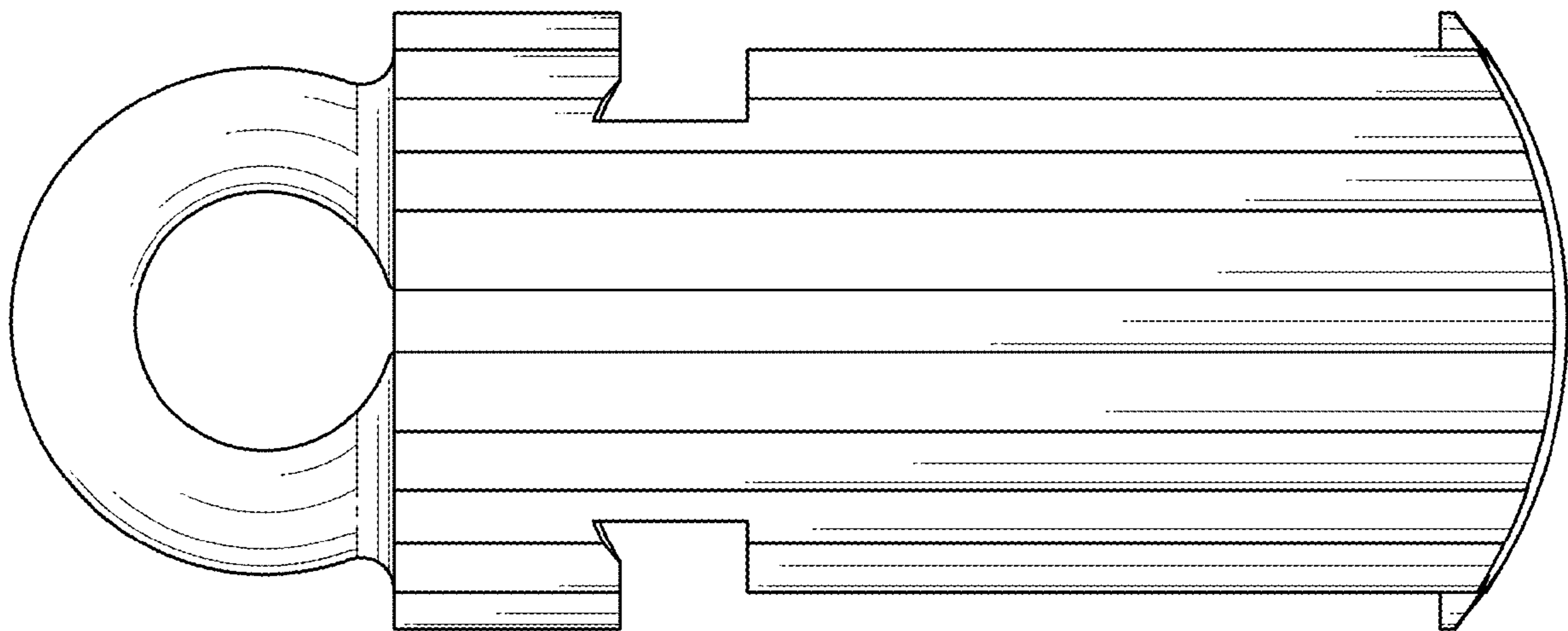


FIG. 7