



US00D882448S

(12) **United States Design Patent**
Gurung

(10) **Patent No.:** **US D882,448 S**

(45) **Date of Patent:** **** Apr. 28, 2020**

(54) **RING**

D228,758 S * 10/1973 Petrosky D22/117
D326,430 S * 5/1992 Ortega D11/40
D843,874 S * 3/2019 Yamada D11/26

(71) Applicant: **Tasaki & Co., Ltd.**, Kobe (JP)

(72) Inventor: **Prabal Gurung**, New York, NY (US)

(73) Assignee: **Tasaki & Co., Ltd.**, Kobe (JP)

(**) Term: **15 Years**

(21) Appl. No.: **29/650,090**

(22) Filed: **Jun. 4, 2018**

(51) **LOC (12) Cl.** **11-01**

(52) **U.S. Cl.**
USPC **D11/26**

(58) **Field of Classification Search**

USPC D11/1-5, 16, 26-39, 49, 91, 92
CPC A44C 9/00; A44C 9/0007; A44C 9/0015;
A44C 9/0023; A44C 9/003; A44C
9/0038; A44C 9/0046; A44C 9/0053;
A44C 9/0061; A44C 9/0069; A44C
9/0076; A44C 9/0084; A44C 9/0092;
A44C 9/02; A44C 17/02; A44C 17/0208;
A44C 17/0216; A44C 17/0225; A44C
17/0233; A44C 17/0241; A44C 17/025;
A44C 17/0258; A44C 17/0266; A44C
17/0275; A44C 17/0283; A44C 17/0291

See application file for complete search history.

(56) **References Cited**

U.S. PATENT DOCUMENTS

2,242,544 A * 5/1941 Porter A44C 9/02
63/15.5
D135,259 S * 3/1943 Pereira D11/27

OTHER PUBLICATIONS

[Online] "Moulin Ring" https://www.tasaki-global.com/jewellery/atelier/tasaki_atelier/moulin/R-4739-18KWG/?jewellery=ring. Retrieved Dec. 21, 2019.*

* cited by examiner

Primary Examiner — Melanie Pellegrini

(74) *Attorney, Agent, or Firm* — Fitch, Even, Tabin & Flannery LLP

(57) **CLAIM**

I claim the ornamental design for a ring, as shown and described.

DESCRIPTION

FIG. 1 is a front, top, and right side perspective view of a ring showing my new design;

FIG. 2 is a rear, bottom, and left side perspective view thereof;

FIG. 3 is a front elevational view thereof;

FIG. 4 is a rear elevational view thereof;

FIG. 5 is a top plan view thereof;

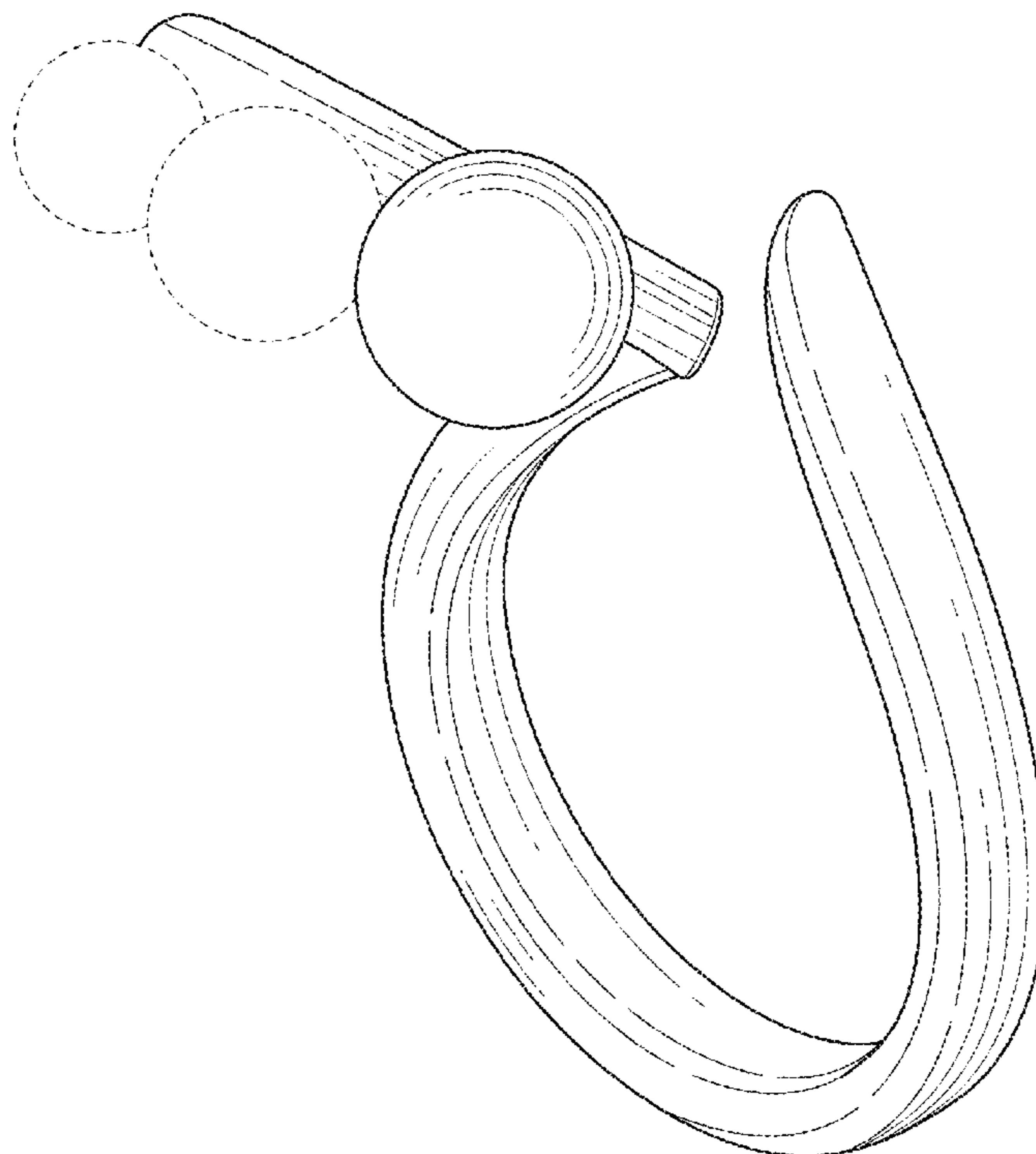
FIG. 6 is a bottom plan view thereof;

FIG. 7 is a right side elevational view thereof; and,

FIG. 8 is a left side elevational view thereof.

The features shown in broken lines in the drawings form no part of the claimed design.

1 Claim, 8 Drawing Sheets



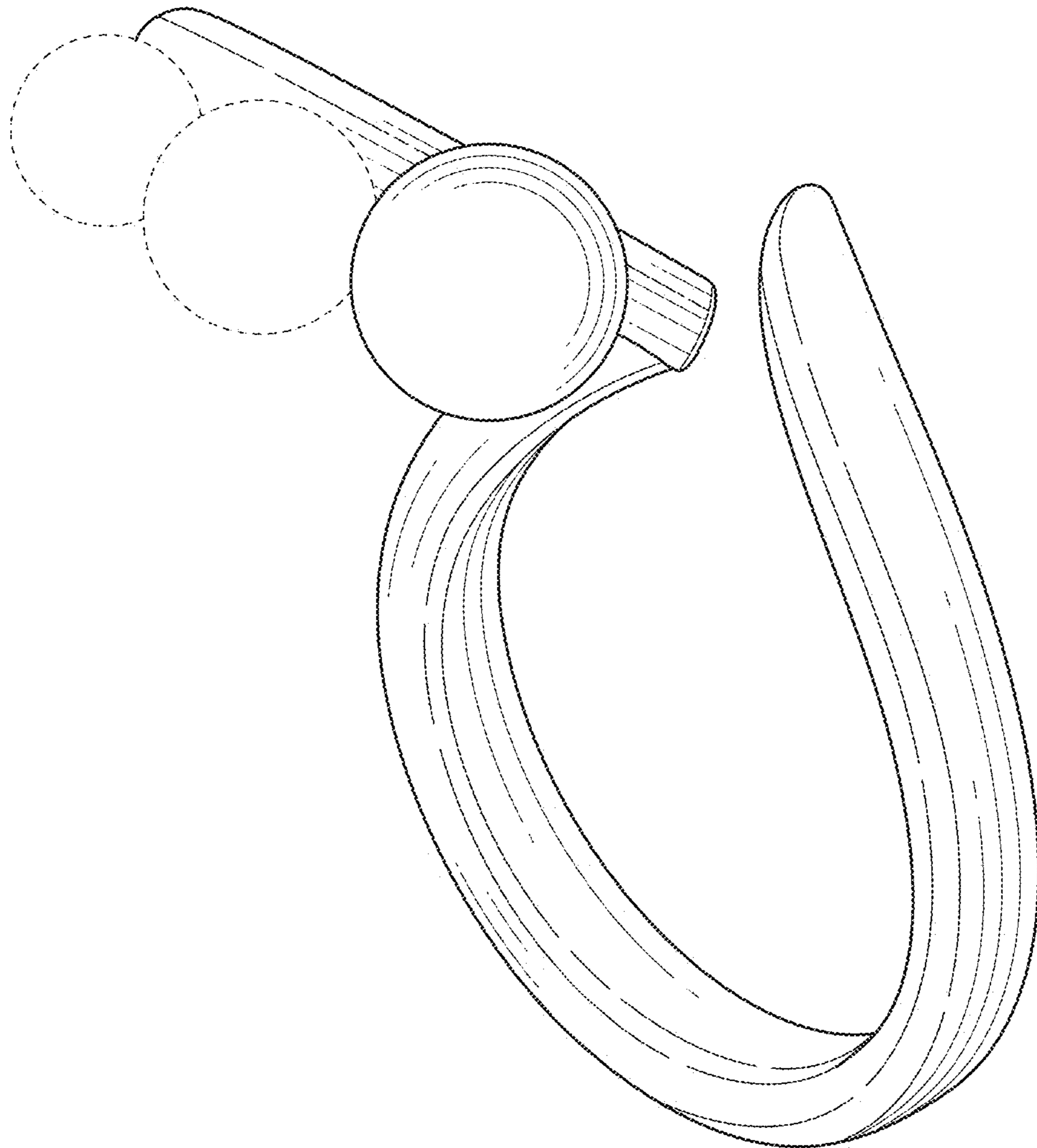


FIG. 1

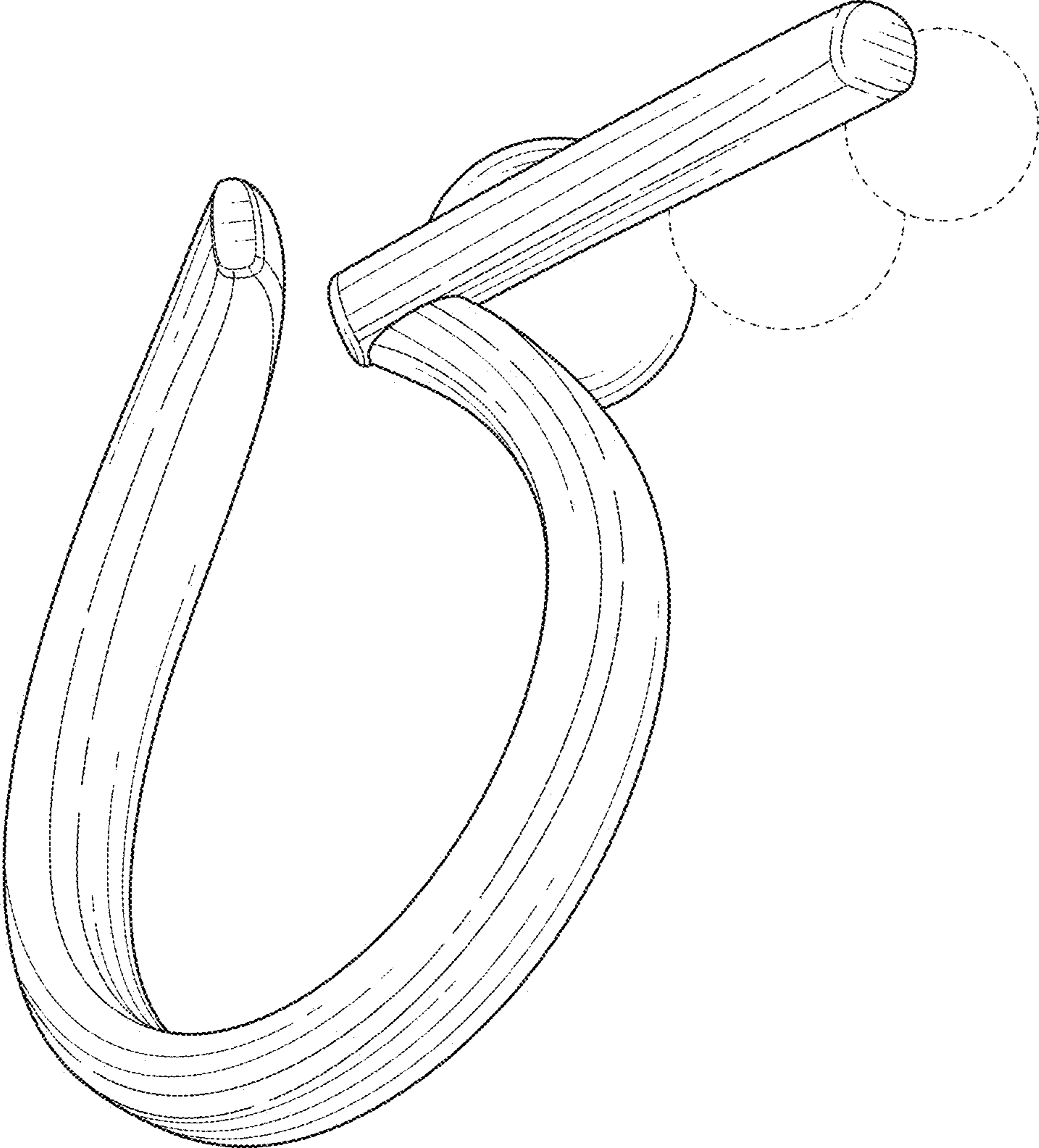


FIG. 2

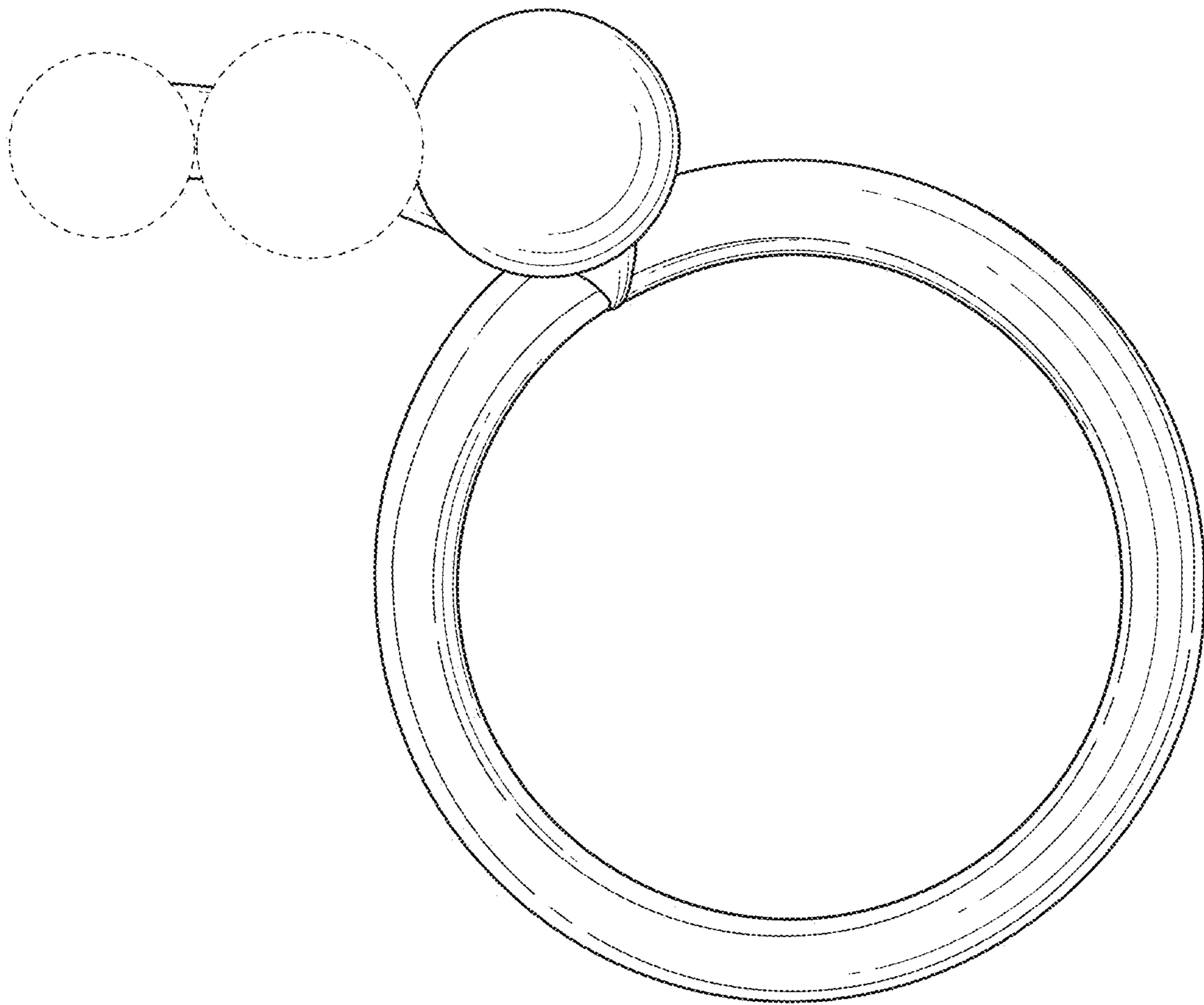


FIG. 3

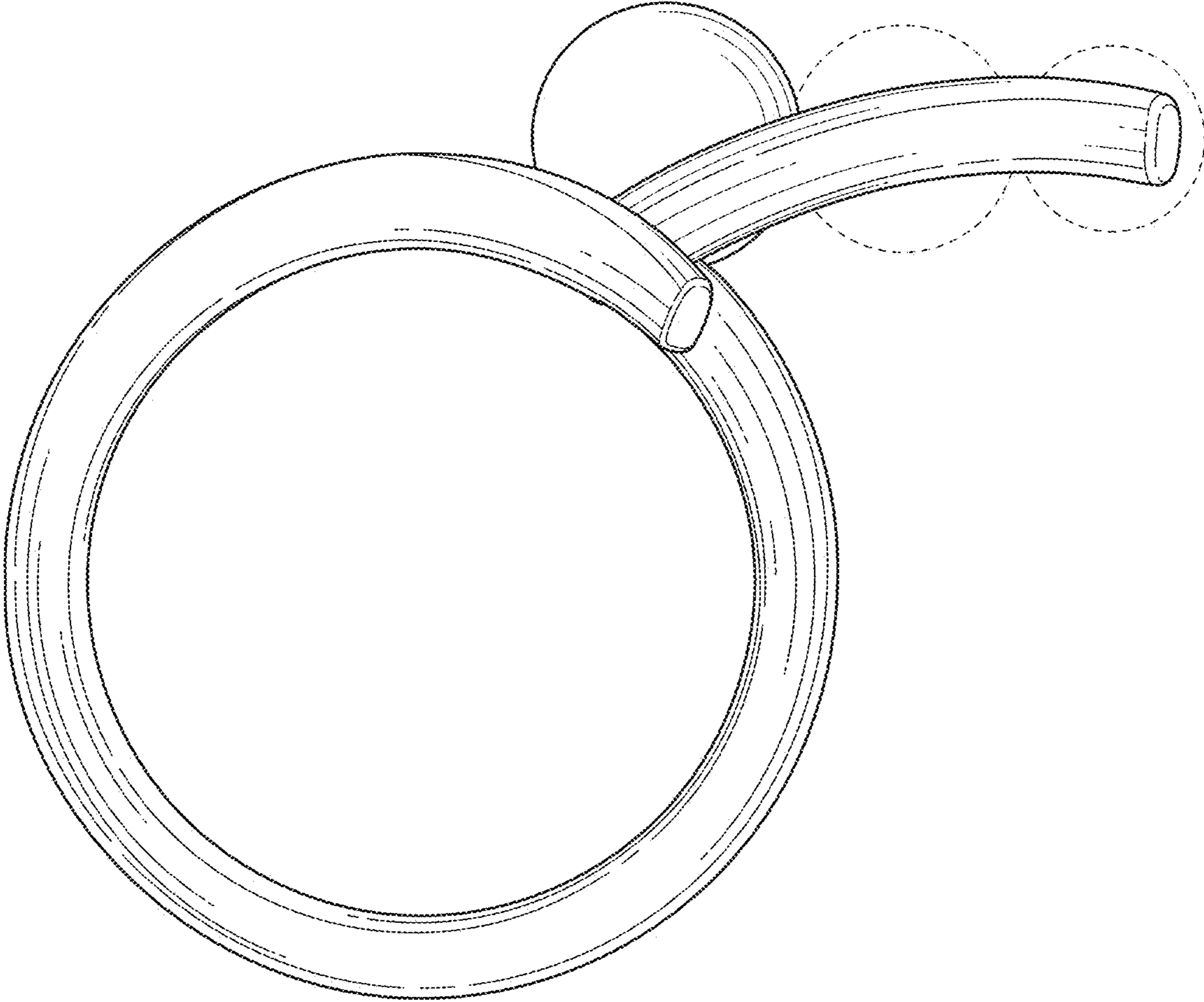


FIG. 4

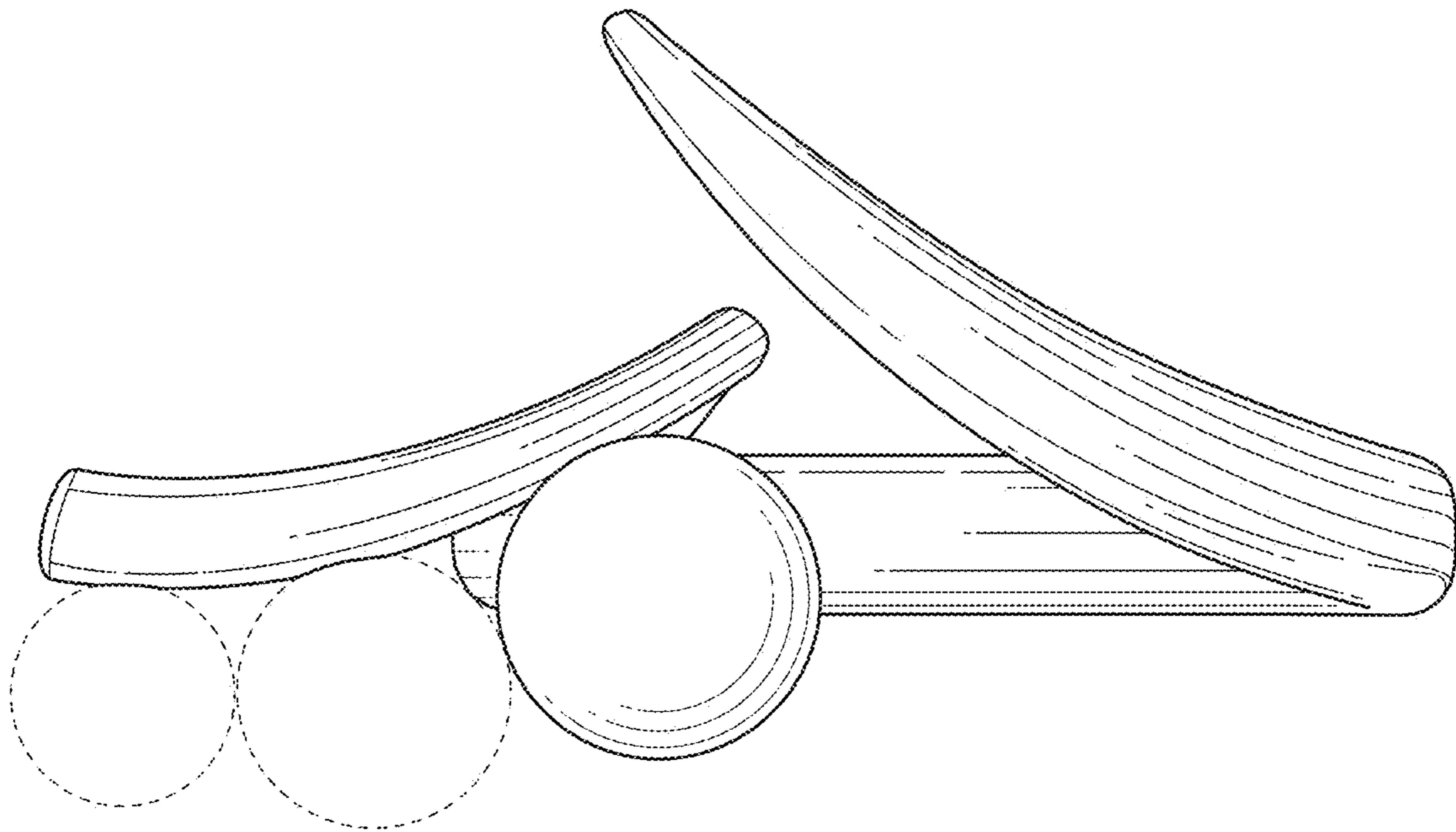


FIG. 5

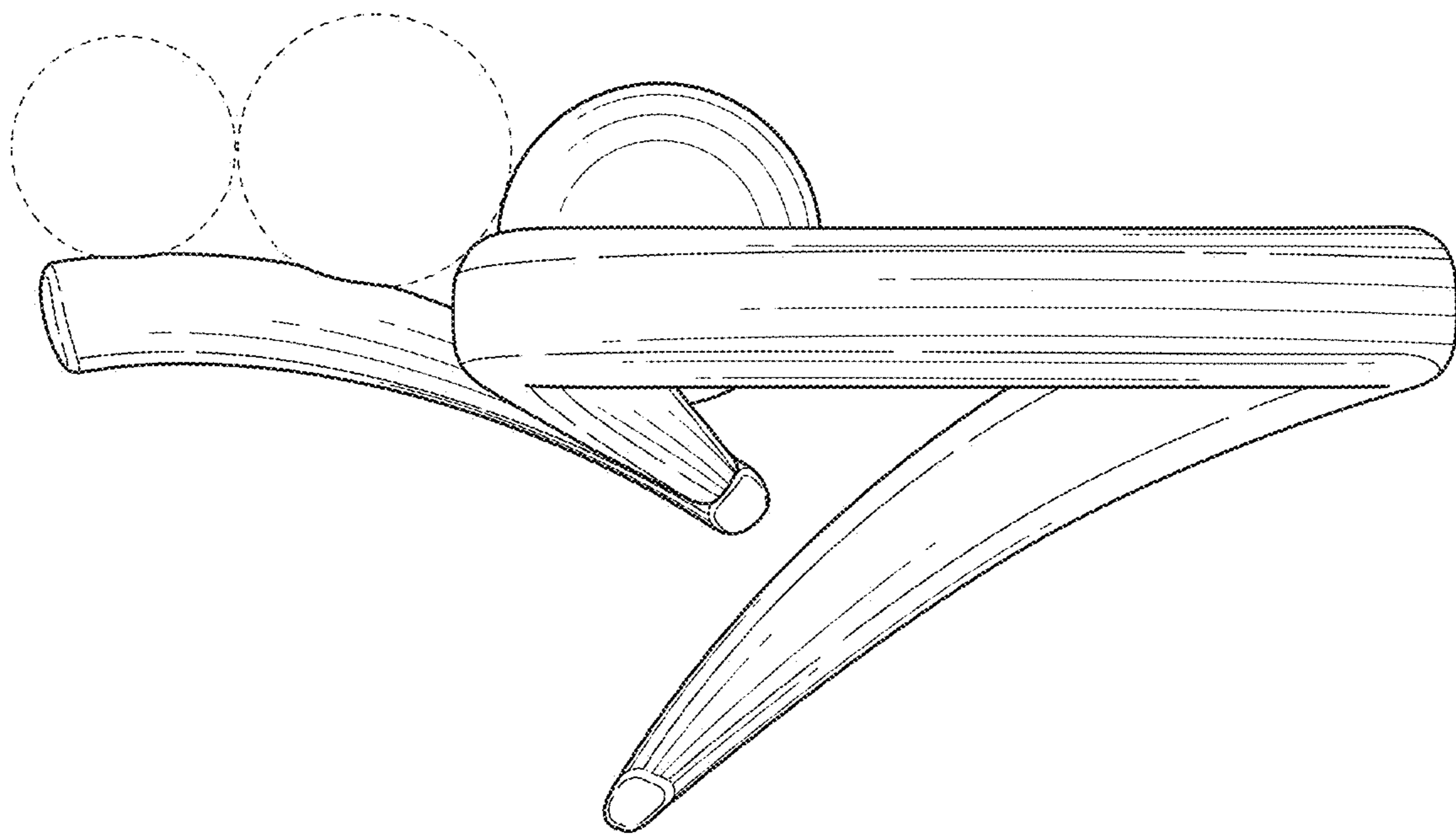


FIG. 6

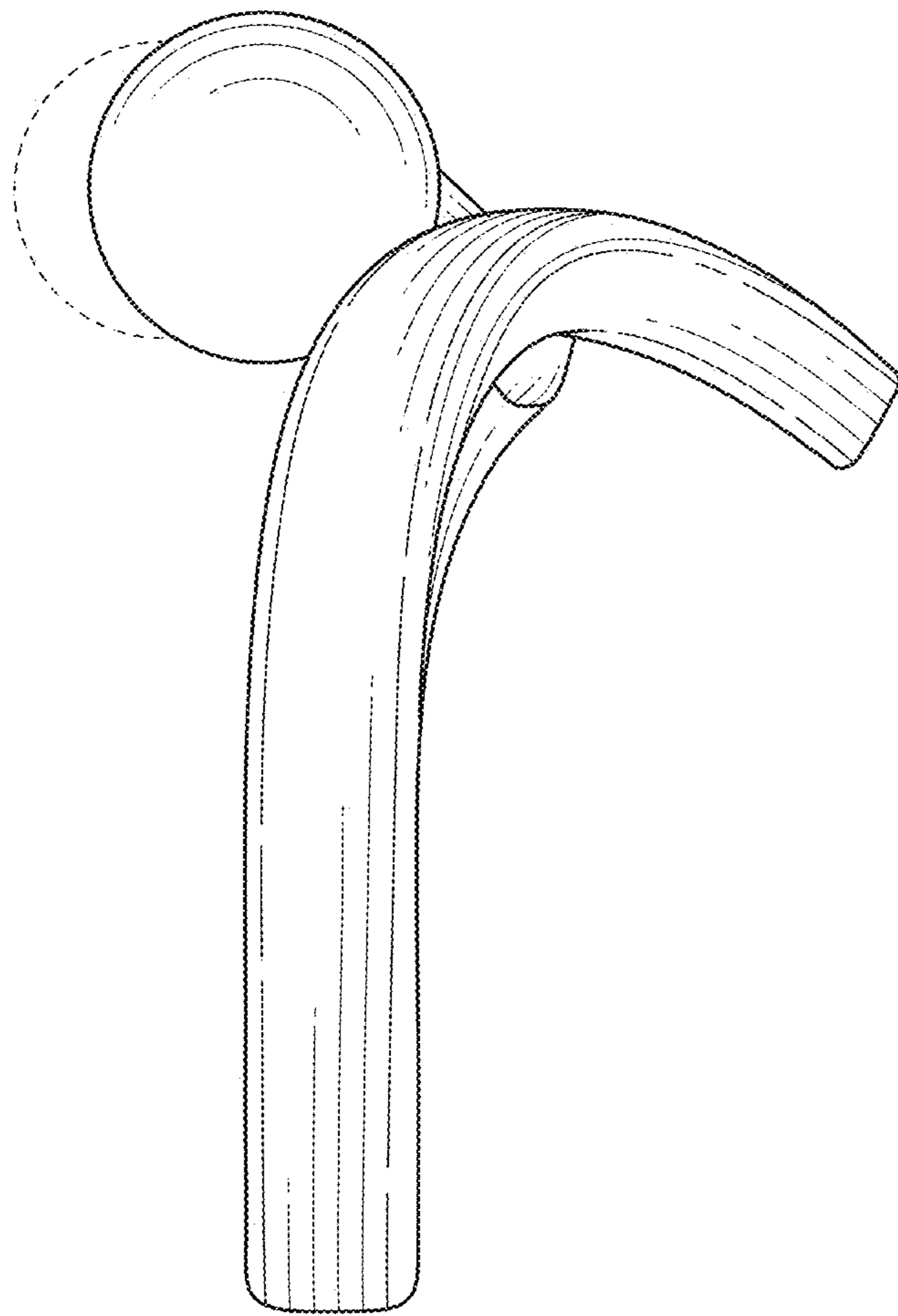


FIG. 7

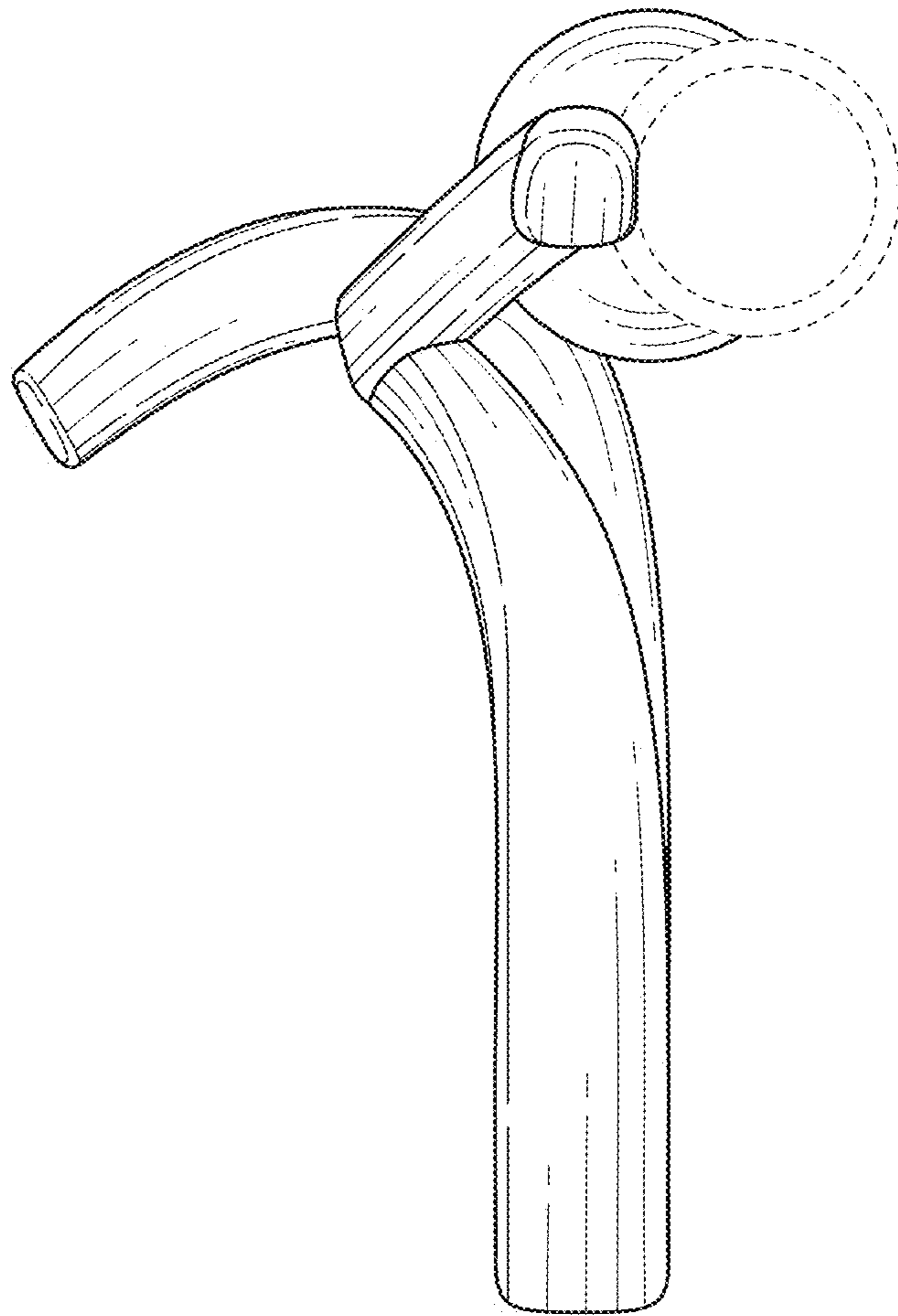


FIG. 8