



US00D882443S

(12) **United States Design Patent** (10) **Patent No.:** **US D882,443 S**
Siminoff et al. (45) **Date of Patent:** **** Apr. 28, 2020**

(54) **WIRELESS ENTRANCE COMMUNICATION DEVICE**

FOREIGN PATENT DOCUMENTS

(71) Applicant: **A9.com, Inc.**, Palo Alto, CA (US)

CN 97311797.4 7/1998
CN 200730060916.7 7/2008

(Continued)

(72) Inventors: **James Siminoff**, Pacific Palisades, CA (US); **Mark Siminoff**, Mountain View, CA (US); **Christopher Loew**, Palo Alto, CA (US)

OTHER PUBLICATIONS

(73) Assignee: **A9.COM, INC.**, Palo Alto, CA (US)

Office Action for U.S. Appl. No. 29/667,614, dated Oct. 28, 2019, Siminoff et al., "Wireless Entrance Communication Device", 5 pages.

(**) Term: **15 Years**

Primary Examiner — George D. Kirschbaum

(21) Appl. No.: **29/602,977**

Assistant Examiner — Joseph J Kukella

(22) Filed: **May 5, 2017**

(74) *Attorney, Agent, or Firm* — Lee & Hayes, P.C.

Related U.S. Application Data

(57) **CLAIM**

(63) Continuation of application No. 29/558,589, filed on Mar. 18, 2016, now Pat. No. Des. 788,061, which is a continuation-in-part of application No. 14/499,828, filed on Sep. 29, 2014, now Pat. No. 9,584,775, which (Continued)

The ornamental design for a wireless entrance communication device, as shown and described.

(51) **LOC (12) Cl.** **10-05**

(52) **U.S. Cl.**
USPC **D10/118.2**

(58) **Field of Classification Search**
USPC D10/104.1, 108, 116.1, 118, 118.2, D10/121-126; D16/202, 203, 208, 209, D16/215
CPC ... G08B 3/00; G08B 3/10; G08B 7/00; G08B 7/06; G08B 13/1436; G08B 13/1463; G08B 13/1481
See application file for complete search history.

DESCRIPTION

FIG. 1 is a front perspective view of a preferred embodiment of the wireless entrance communication device according to the present design;
FIG. 2 is a front elevational view of the wireless entrance communication device of FIG. 1;
FIG. 3 is a rear elevational view of the wireless entrance communication device of FIG. 1;
FIG. 4 is a left-side elevational view of the wireless entrance communication device of FIG. 1, the right-side elevational view being a mirror image thereof;
FIG. 5 is a top plan view of the wireless entrance communication device of FIG. 1; and
FIG. 6 is a bottom plan view of the wireless entrance communication device of FIG. 1.
The broken line showing of features and mounting elements is included for the purpose of illustrating portions of the wireless entrance communication device, and forms no part of the claimed design.

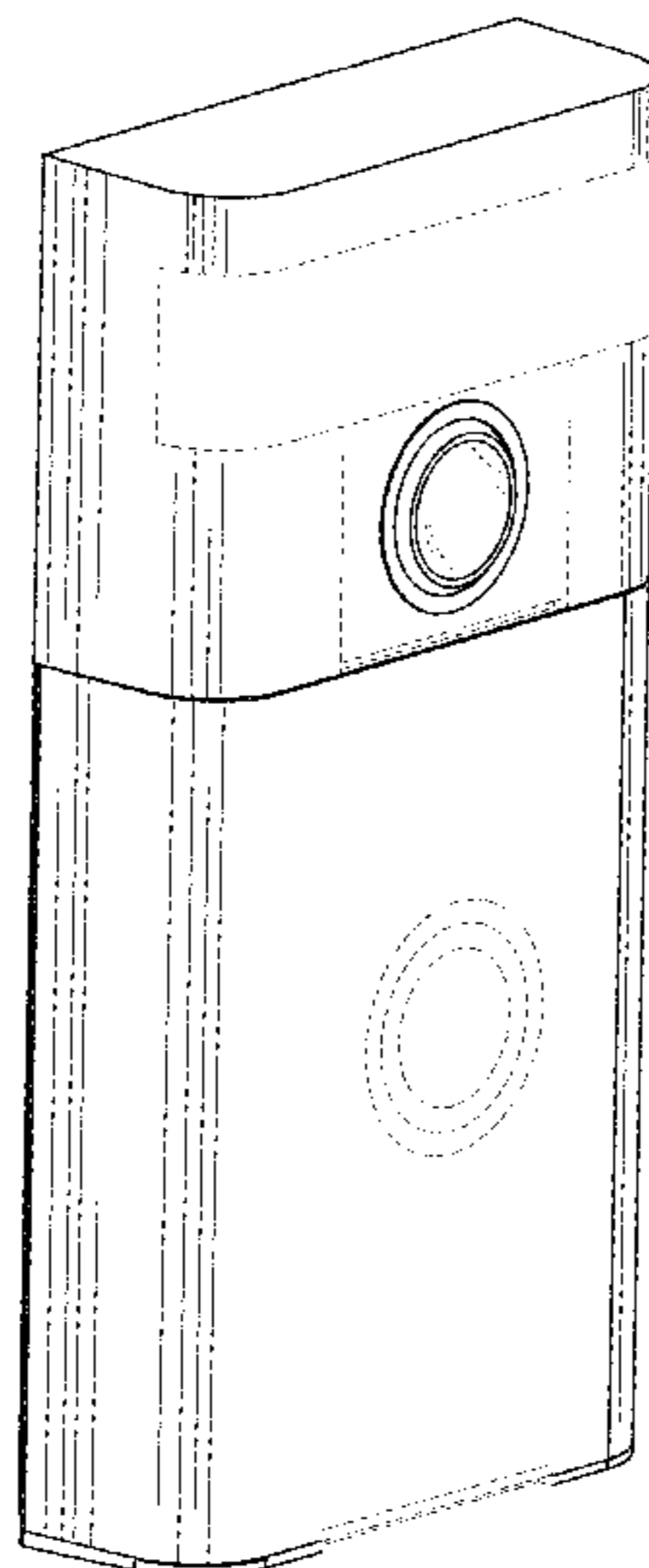
(56) **References Cited**

U.S. PATENT DOCUMENTS

D197,278 S * 1/1964 Stevenson D13/171
D258,424 S 3/1981 Doggart
D505,127 S 5/2005 Yoshida et al.

(Continued)

1 Claim, 5 Drawing Sheets



Related U.S. Application Data

is a continuation-in-part of application No. 14/334,922, filed on Jul. 18, 2014, now abandoned.

(56)

References Cited

U.S. PATENT DOCUMENTS

D526,306 S 8/2006 Hori
 D569,819 S 5/2008 Rinaldi et al.
 D573,500 S 7/2008 Beland et al.
 D574,742 S 8/2008 Spencer
 D605,542 S 12/2009 Ho
 D610,031 S 2/2010 Beland et al.
 D612,882 S * 3/2010 Kim D16/202
 D621,795 S 8/2010 Tsui et al.
 D633,930 S * 3/2011 Dinger D16/202
 D635,102 S 3/2011 Tsui et al.
 D636,286 S 4/2011 Khor et al.
 D636,287 S 4/2011 Khor et al.
 D637,099 S 5/2011 Khor et al.
 D696,224 S 12/2013 Murayama
 D698,841 S * 2/2014 Lee D16/202
 D707,147 S 6/2014 Crippa et al.
 D749,006 S 2/2016 Ure et al.
 D749,445 S 2/2016 Yang
 D752,011 S 3/2016 Takahata
 D761,753 S 7/2016 Michielan
 D764,957 S * 8/2016 Bhattacharya D10/104.1
 D765,530 S 9/2016 Scalisi
 D766,865 S 9/2016 Tani
 D773,428 S 12/2016 Takahata
 D774,875 S 12/2016 Yu
 D778,195 S 2/2017 Li
 D778,755 S 2/2017 Yang
 D782,282 S 3/2017 Huang et al.
 D787,359 S 5/2017 Scalisi
 D788,061 S 5/2017 Siminoff
 D789,820 S 6/2017 Siminoff et al.
 D792,192 S 7/2017 Huang et al.
 D793,268 S 8/2017 Ye
 D794,487 S 8/2017 Chui et al.
 D795,833 S 8/2017 Zhou
 D798,177 S 9/2017 Siminoff et al.
 D801,843 S 11/2017 Siminoff
 D802,463 S 11/2017 Siminoff et al.
 9,819,713 B2 11/2017 Siminoff et al.
 D806,773 S 1/2018 Wieser et al.
 D817,208 S 5/2018 Ravat et al.
 D819,476 S 6/2018 Siminoff et al.
 D820,137 S 6/2018 Siminoff et al.
 D820,708 S 6/2018 Siminoff et al.
 D822,518 S 7/2018 Siminoff et al.
 D822,519 S 7/2018 Siminoff et al.
 D822,520 S 7/2018 Siminoff et al.
 D829,585 S 10/2018 Siminoff et al.
 D830,871 S 10/2018 Siminoff et al.
 D833,313 S 11/2018 Siminoff et al.
 D837,080 S 1/2019 Siminoff et al.
 D840,856 S * 2/2019 Scalisi D10/118.2
 D840,857 S * 2/2019 Scalisi D10/118.2
 D848,299 S * 5/2019 Li D10/118.2
 D854,958 S * 7/2019 Siminoff D10/118.2
 D856,838 S * 8/2019 Siminoff D10/118.2
 D860,029 S * 9/2019 Yang D10/118.2
 D866,379 S * 11/2019 Siminoff D10/118.2
 D866,380 S * 11/2019 Siminoff D10/118.2
 2016/0330403 A1 11/2016 Siminoff
 2017/0160137 A1 6/2017 Jeong
 2017/0160138 A1 6/2017 Jeong et al.
 2017/0163944 A1 6/2017 Jeong
 2017/0171516 A1 6/2017 Modestine et al.
 2017/0171517 A1 6/2017 Modestine et al.
 2017/0171518 A1 6/2017 Modestine et al.
 2017/0195639 A1 7/2017 Gluckman et al.
 2017/0251035 A1 8/2017 Siminoff et al.
 2017/0251173 A1 8/2017 Siminoff et al.
 2017/0251182 A1 8/2017 Siminoff et al.

2017/0272269 A1 9/2017 Siminoff
 2017/0272652 A1 9/2017 Siminoff et al.
 2017/0272706 A1 9/2017 Jeong
 2017/0280112 A1 9/2017 Siminoff
 2017/0289450 A1 10/2017 Lemberger
 2017/0294694 A1 10/2017 Tso et al.
 2017/0322942 A1 11/2017 Duda et al.
 2017/0323591 A1 11/2017 Siminoff et al.
 2017/0358186 A1 12/2017 Harpole

FOREIGN PATENT DOCUMENTS

CN 200830005669.5 7/2009
 CN 200830051165.7 8/2009
 CN 200930160044.0 1/2010
 CN 201030213400.3 3/2011
 CN 201030599337.1 5/2011
 CN 201030650290.7 7/2011
 CN 201130031465.0 8/2011
 CN 201130045384.6 9/2011
 CN 201130129307.9 9/2011
 CN 201130177281.5 3/2012
 CN 201130332618.5 3/2012
 CN 201130400536.X 4/2012
 CN 201130386421.X 5/2012
 CN 201230071058.7 10/2012
 CN 201230223658.0 11/2012
 CN 201230308563.9 12/2012
 CN 201230385639 1/2013
 CN 201230446166.8 5/2013
 CN 201330122550.7 8/2013
 CN 201330201866.5 12/2013
 CN 201330381504.9 4/2014
 CN 201430016648.9 7/2014
 CN 201430064553.4 7/2014
 CN 201430008365.X 11/2014
 CN 201430108945.6 11/2014
 CN 201430103226.5 12/2014
 CN 201430108956.4 12/2014
 CN 201430324510.5 2/2015
 CN 201430342643.5 2/2015
 CN 201430127252.1 3/2015
 CN 201530056056.4 7/2015
 CN 201530133351.5 10/2015
 CN 201530365453.X 1/2016
 CN 201530330230.X 3/2016
 CN 201530531772.3 6/2016
 CN 201630031783.X 6/2016
 CN 303770686 8/2016
 CN 201630052295.7 8/2016
 CN 201630029834.5 9/2016
 CN 201630205050.3 9/2016
 CN 201630297995.2 11/2016
 CN 201630304323.X 11/2016
 CN 201630304326.3 12/2016
 CN 201630386371.8 12/2016
 CN 201630159909.1 1/2017
 CN 201630175983.2 1/2017
 CN 201630409103.3 2/2017
 CN 201630483103.8 2/2017
 CN 201630483201.1 2/2017
 CN 201630471417.6 4/2017
 CN 201630596799.5 4/2017
 CN 201630581428.X 6/2017
 CN 201730002158.7 6/2017
 CN 201730015753.4 6/2017
 CN 201730006869.1 9/2017
 CN 201730124786.2 9/2017
 CN 201730184673.1 10/2017
 CN 201630493656.1 11/2017
 CN 201730131586.X 11/2017
 EM 000044466-0004 10/2003
 EM 000049390-0001 10/2003
 EM 000132790-0004 5/2004
 EM 000146642-0001 6/2004
 EM 000180823-0001 7/2004
 EM 000176672-0001 8/2004
 EM 000691977-0001 5/2007
 EM 000775986-0007 8/2007

(56)

References Cited

FOREIGN PATENT DOCUMENTS

EM	000839311-0003	1/2008
EM	000913298-0017	5/2008
EM	000913298-0025	5/2008
EM	000930722-0004	5/2008
EM	001603069-0007	8/2009
EM	001603069-0009	8/2009
EM	001603069-0010	8/2009
EM	001605163-0001	9/2009
EM	001657867-0003	1/2010
EM	001657867-0004	1/2010
EM	001730946-0002	7/2010
EM	002294181-0001	8/2013
EM	002482158-0001	6/2014
EM	002622332	1/2015
EM	002834226	11/2015
EM	003435965	1/2017
GB	2065450	5/1997
JP	D1998-1035859	7/2000
JP	D2001-741	11/2001
JP	D2001-12214	5/2002
JP	D2001-12215	5/2002
JP	D2002-24724	8/2003
JP	D2002-24727	8/2003
JP	1253840	4/2004
JP	D2004-12409	12/2004
JP	D2004-15036	12/2004
JP	D2004-10578	1/2005

JP	D2004-11058	7/2005
JP	D2004-22574	8/2005
JP	D2004-22576	8/2005
JP	D2004-11529	10/2005
JP	D2005-6144	10/2005
JP	D2005-21343	5/2006
JP	D2005-2433	9/2006
JP	D2005-1060	10/2006
JP	D2005-1062	10/2006
JP	D2005-1061	1/2007
JP	D2006-20268	7/2008
JP	D2007-35724	9/2008
JP	D2009-6904	12/2009
JP	D2010-14493	1/2011
JP	D2014-21235	6/2015
KR	300778965.0000	1/2015
KR	300844291.0000	3/2016
KR	300866651.0000	7/2016
KR	300867682.0000	8/2016
KR	300906526.0000	5/2017
KR	300911751.0000	6/2017
KR	300915848.0000	7/2017
KR	300933857.0000	11/2017
WO	WOD078154	5/2012
WO	WOD081439-0004	8/2013
WO	WOD082316-0003	12/2013
WO	WOD085822	3/2015
WO	WOD090425-0001	5/2016
WO	WOD094044-0001	1/2017

* cited by examiner

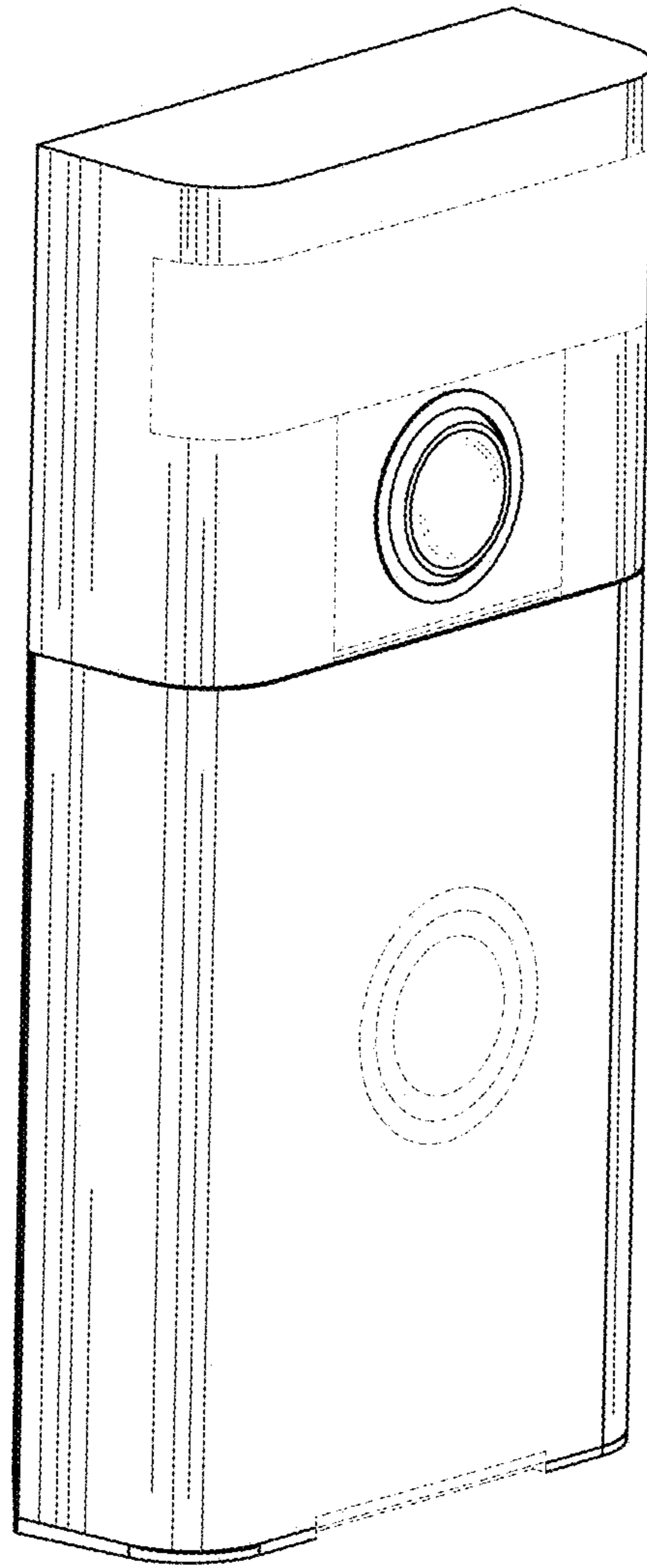


FIG. 1

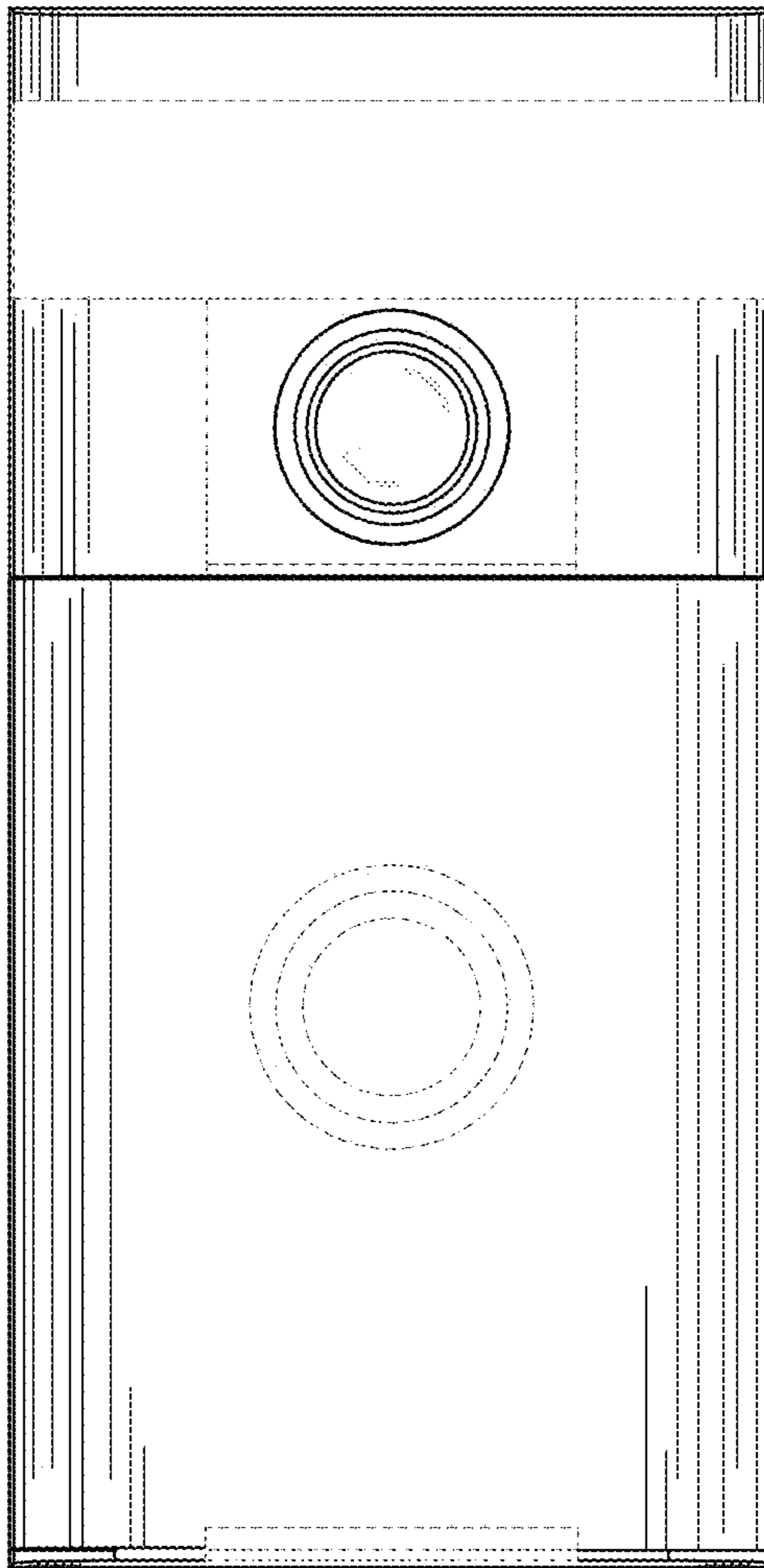


FIG. 2

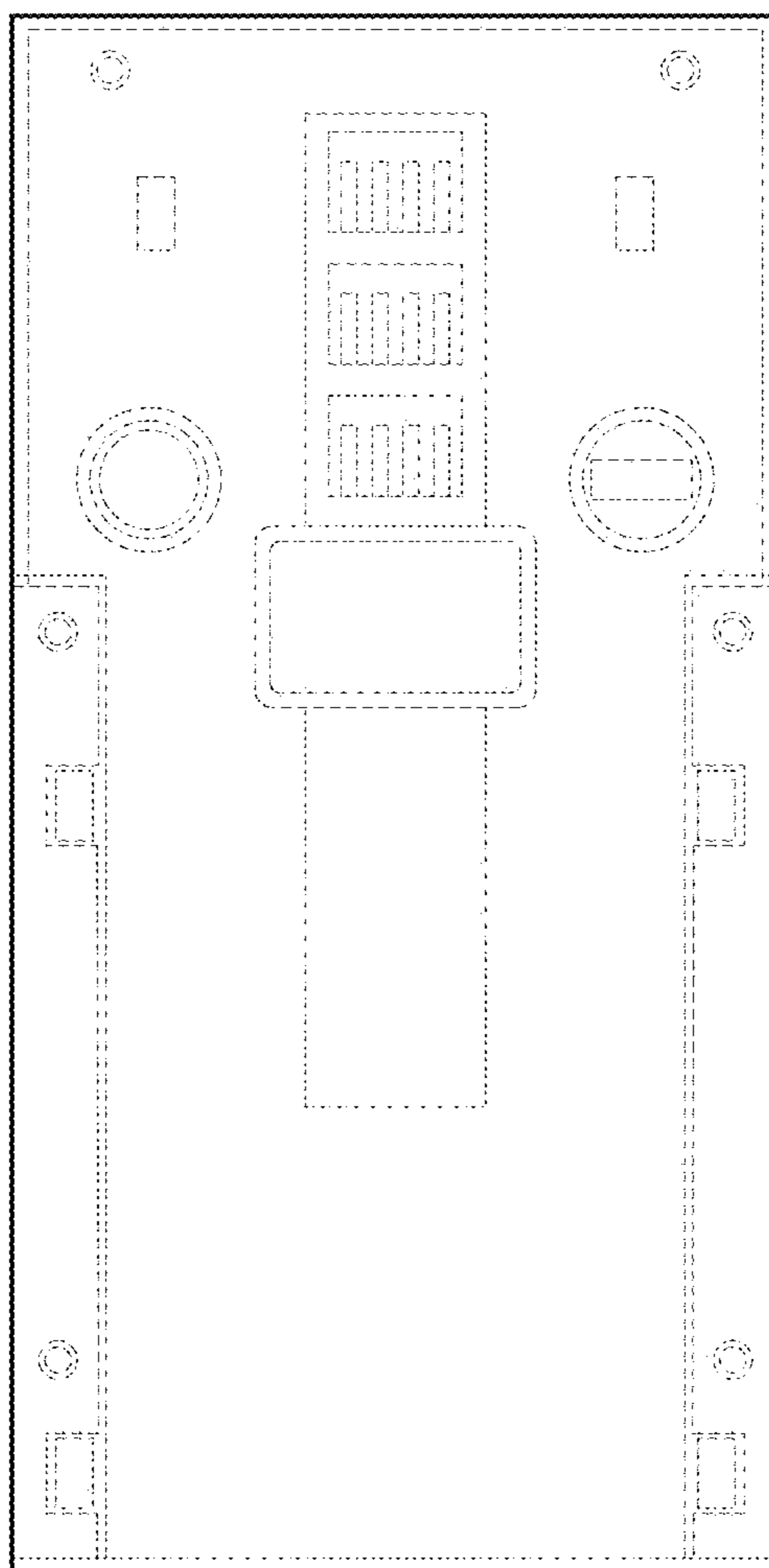


FIG. 3

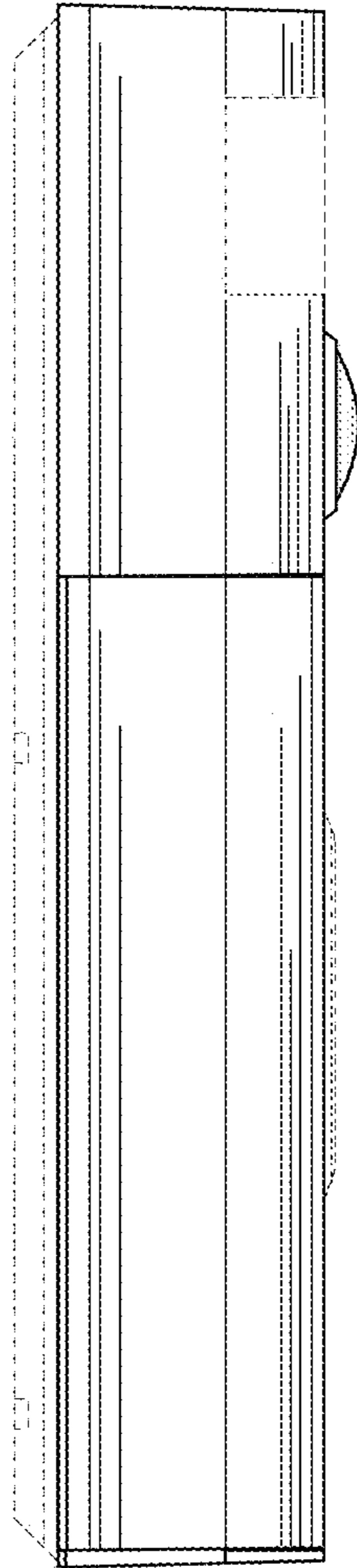


FIG. 4

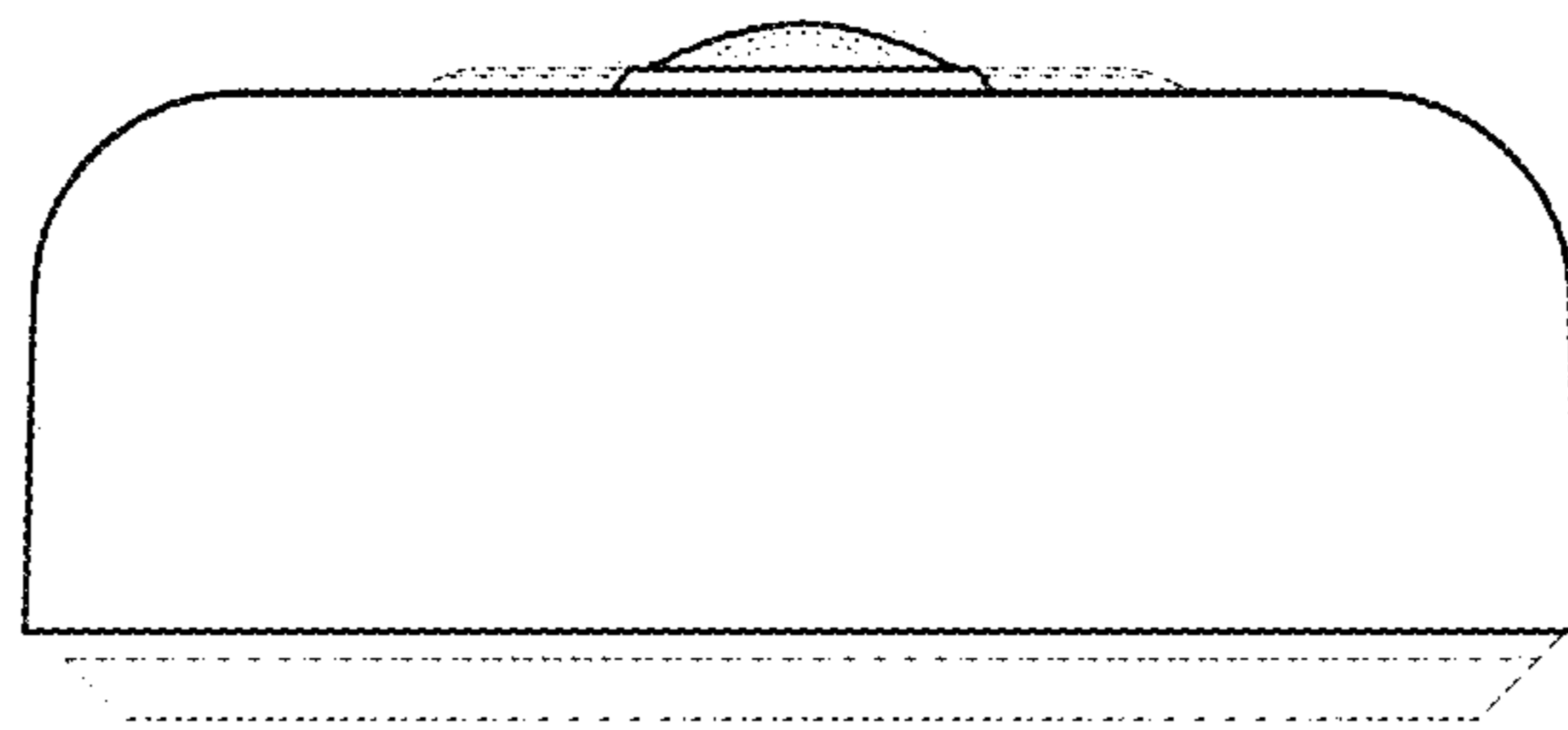


FIG. 5

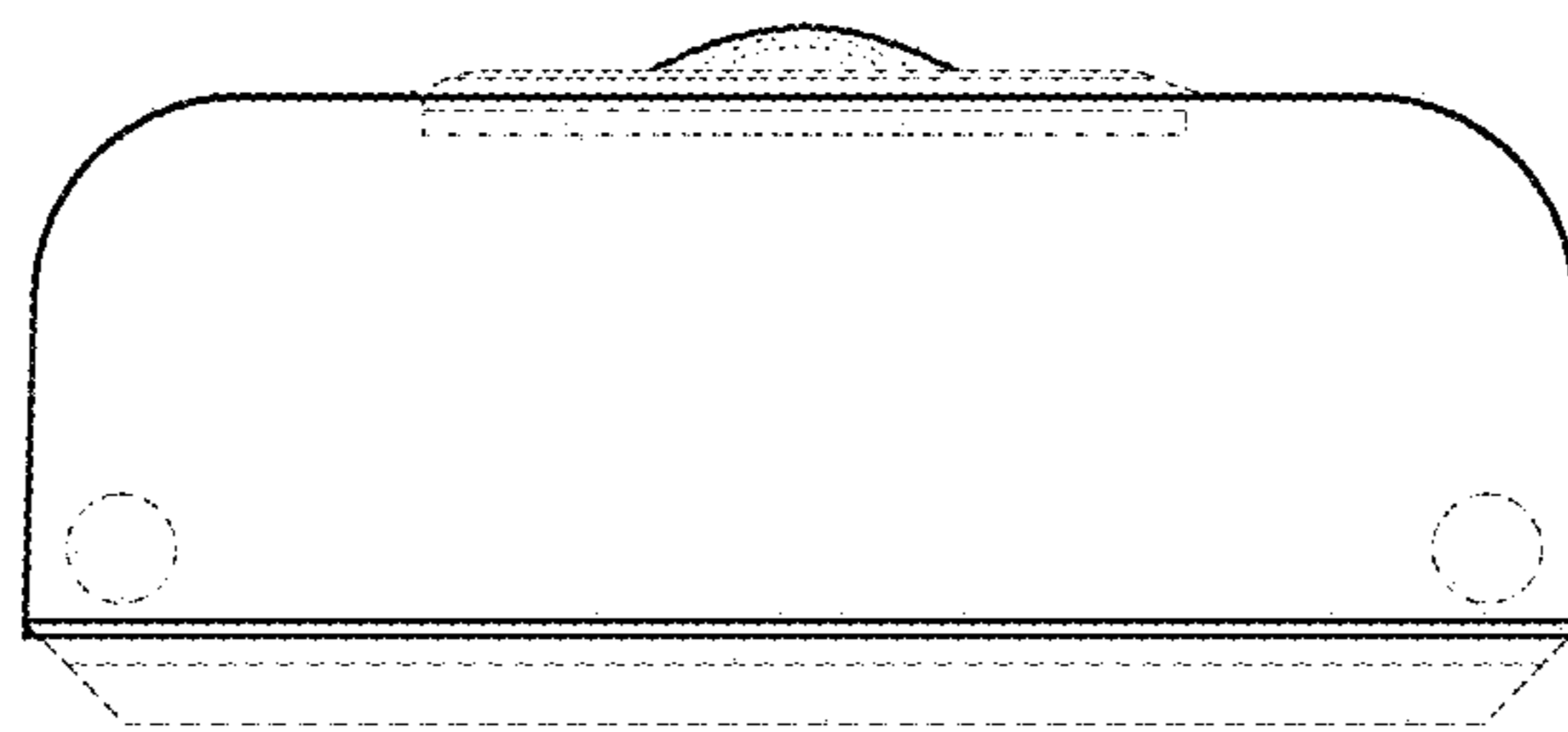


FIG. 6