



US00D882442S

(12) **United States Design Patent**
Tomney

(10) **Patent No.:** **US D882,442 S**

(45) **Date of Patent:** **** Apr. 28, 2020**

(54) **WARNING LIGHT**

(71) Applicant: **Ultra Bright Lightz, LLC**, Deer Park, NY (US)

(72) Inventor: **Justin Tomney**, West Islip, NY (US)

(**) Term: **15 Years**

(21) Appl. No.: **29/668,555**

(22) Filed: **Oct. 31, 2018**

(51) **LOC (12) Cl.** **10-05**

(52) **U.S. Cl.**
USPC **D10/114.1**

(58) **Field of Classification Search**
USPC D10/114.1; D26/119, 28, 35, 120;
D12/400

See application file for complete search history.

(56) **References Cited**

U.S. PATENT DOCUMENTS

D592,985 S *	5/2009	Barnett	D10/114.1
D618,125 S *	6/2010	Luscombe	D10/114.1
D714,994 S	10/2014	Deyaf		
D740,999 S	10/2015	Yu		
D779,984 S *	2/2017	Deyaf	D10/114.2
D792,639 S	7/2017	Deyaf et al.		
D797,327 S	9/2017	Deyaf et al.		
D797,328 S	9/2017	Deyaf et al.		
D797,360 S	9/2017	Deyaf et al.		
D797,366 S	9/2017	Deyaf et al.		
D825,368 S *	8/2018	Kuo	D10/114.1

* cited by examiner

Primary Examiner — George D. Kirschbaum

(74) *Attorney, Agent, or Firm* — Carter, DeLuca & Farrell LLP

(57) **CLAIM**

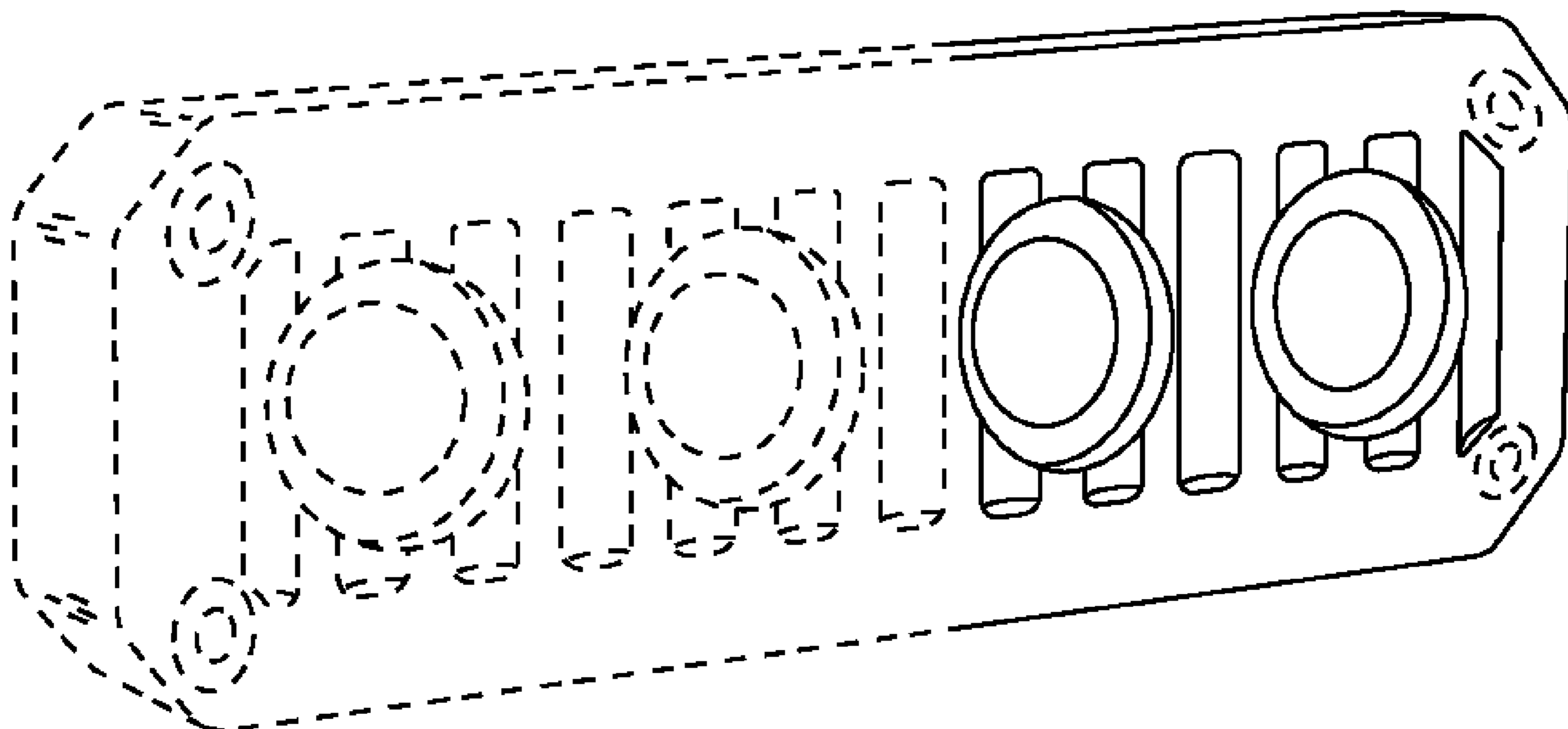
What is claimed the ornamental design for a warning light, as shown and described.

DESCRIPTION

FIG. 1 is a front, perspective view of one embodiment of a warning light in accordance with the present design; FIG. 2 is a left, side view of the warning light of FIG. 1; FIG. 3 is a right, side view of the warning light of FIG. 1; FIG. 4 is a bottom view of the warning light of FIG. 1; FIG. 5 is a top view of the warning light of FIG. 1; FIG. 6 is a front view of the warning light of FIG. 1; FIG. 7 is a rear view of the warning light of FIG. 1; FIG. 8 is a front, perspective view illustrating the warning light of FIG. 1 supported on a mount in accordance with the present design; FIG. 9 is a left, side view of FIG. 8; FIG. 10 is a right, side view of FIG. 8; FIG. 11 is a front view of FIG. 8; FIG. 12 is a bottom view of FIG. 8; FIG. 13 is a top view of FIG. 8; and, FIG. 14 is a rear view of FIG. 8.

The broken lines provided in the drawings form no part of the claimed design.

1 Claim, 7 Drawing Sheets



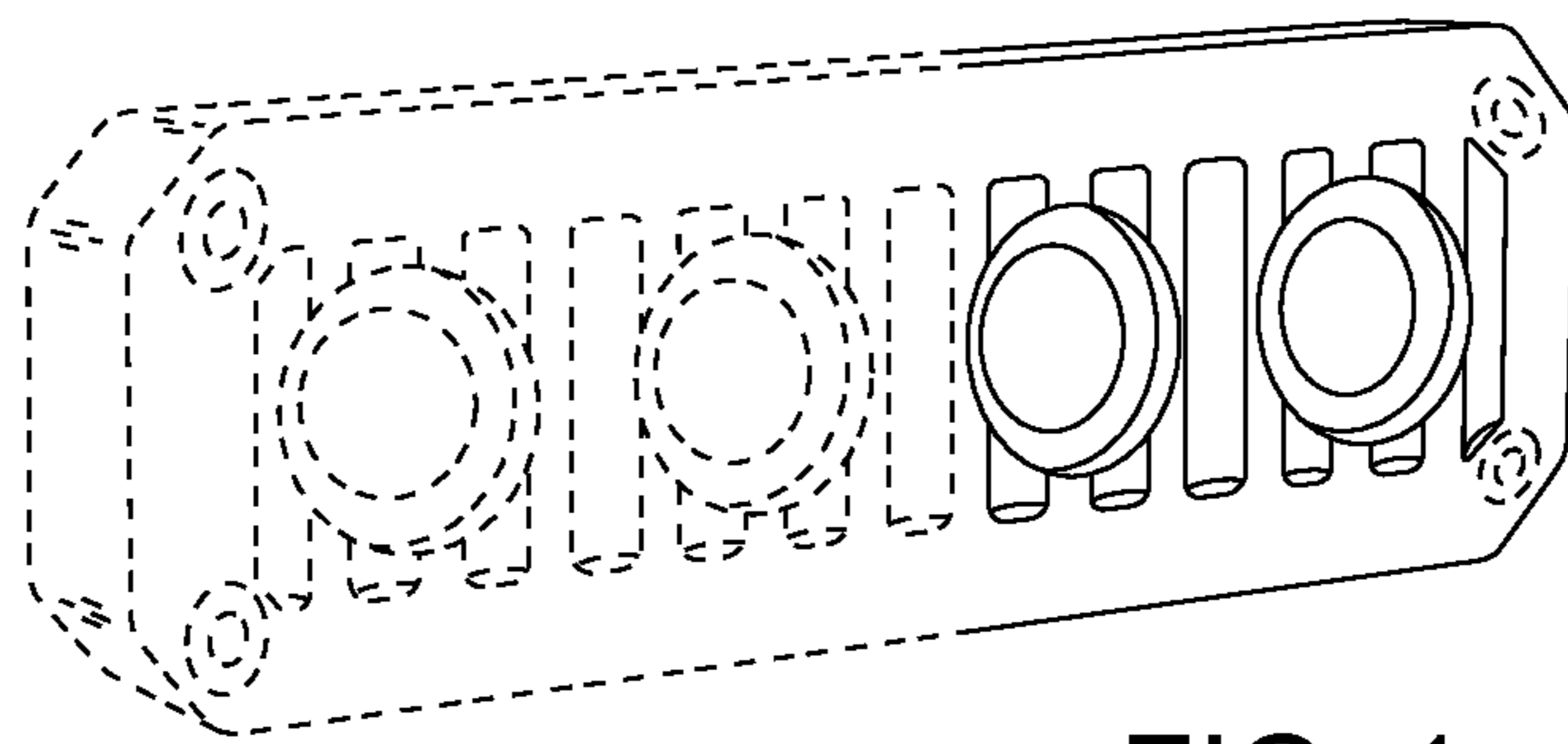


FIG. 1

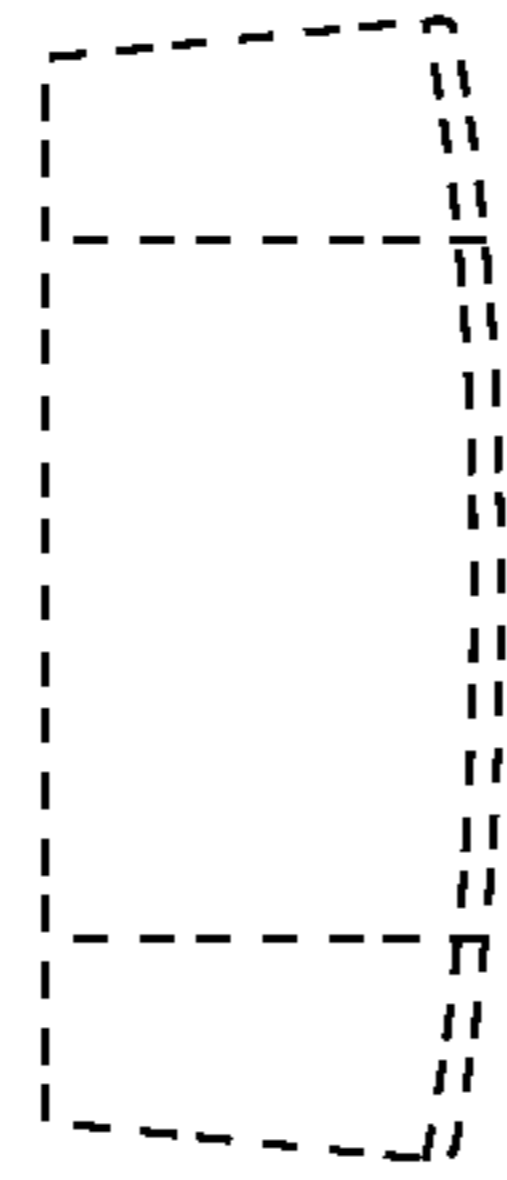


FIG. 2

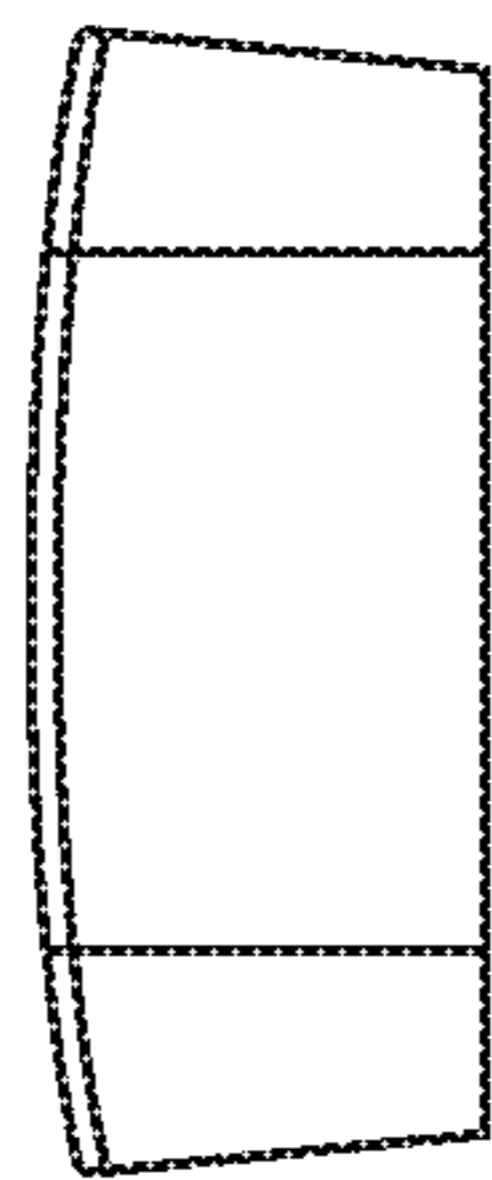


FIG. 3



FIG. 4



FIG. 5

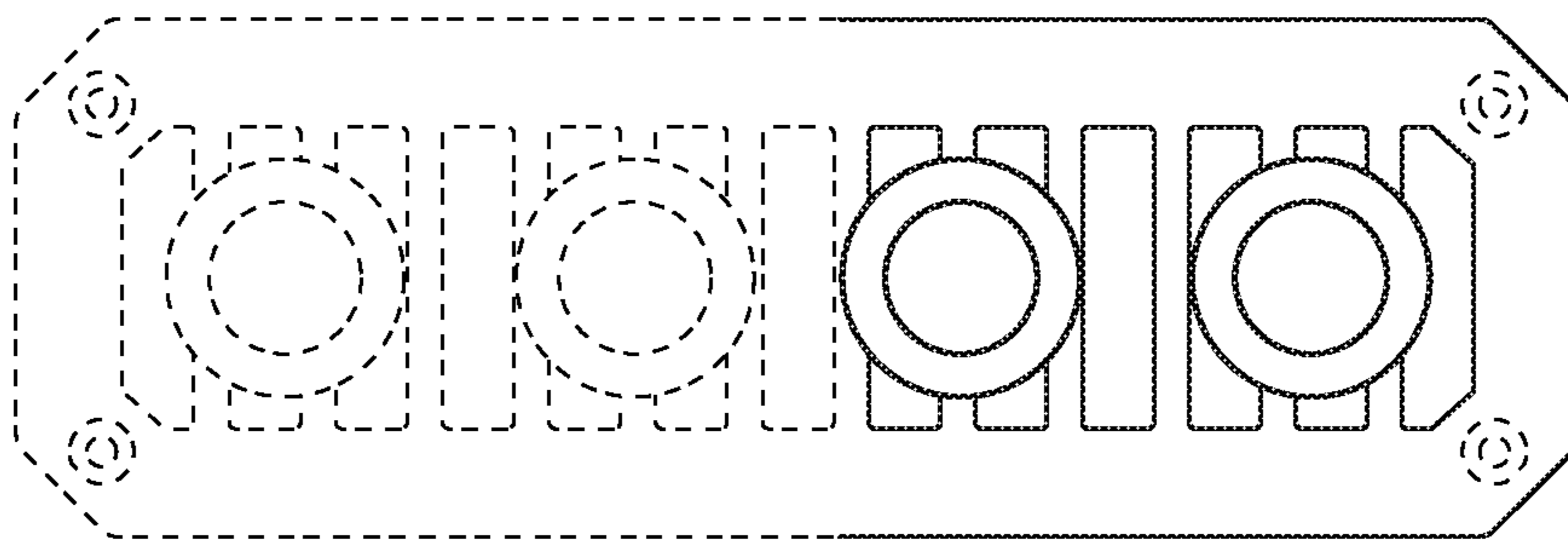


FIG. 6

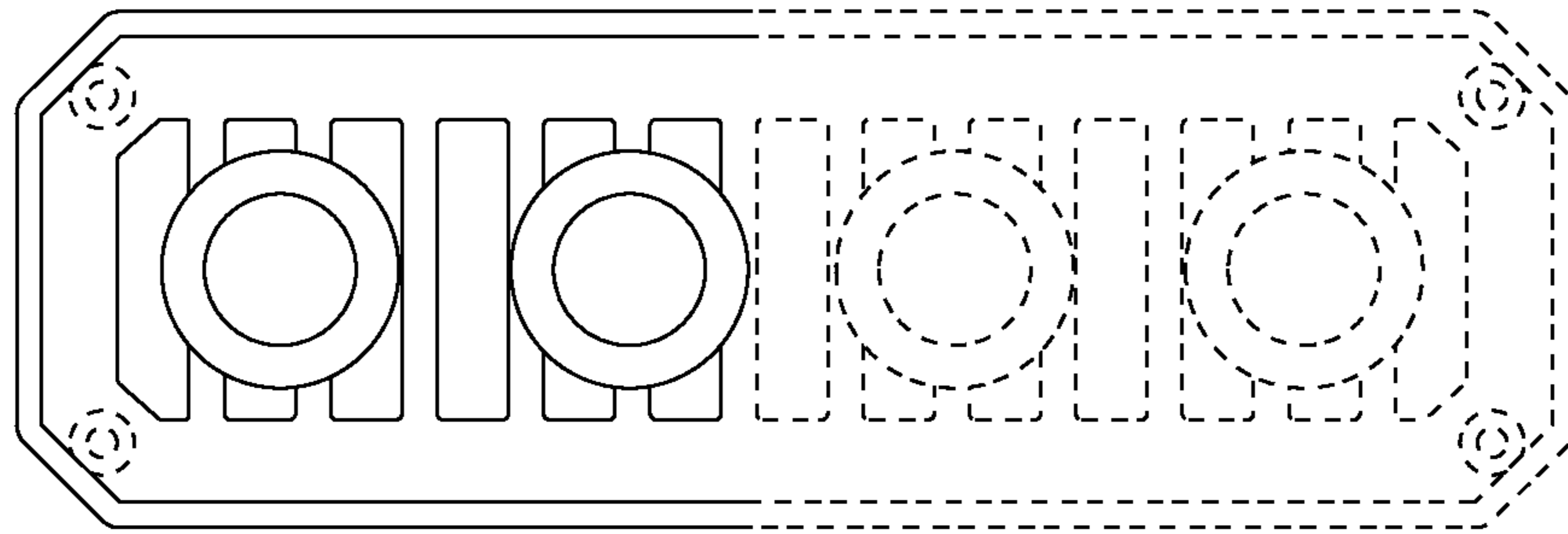


FIG. 7

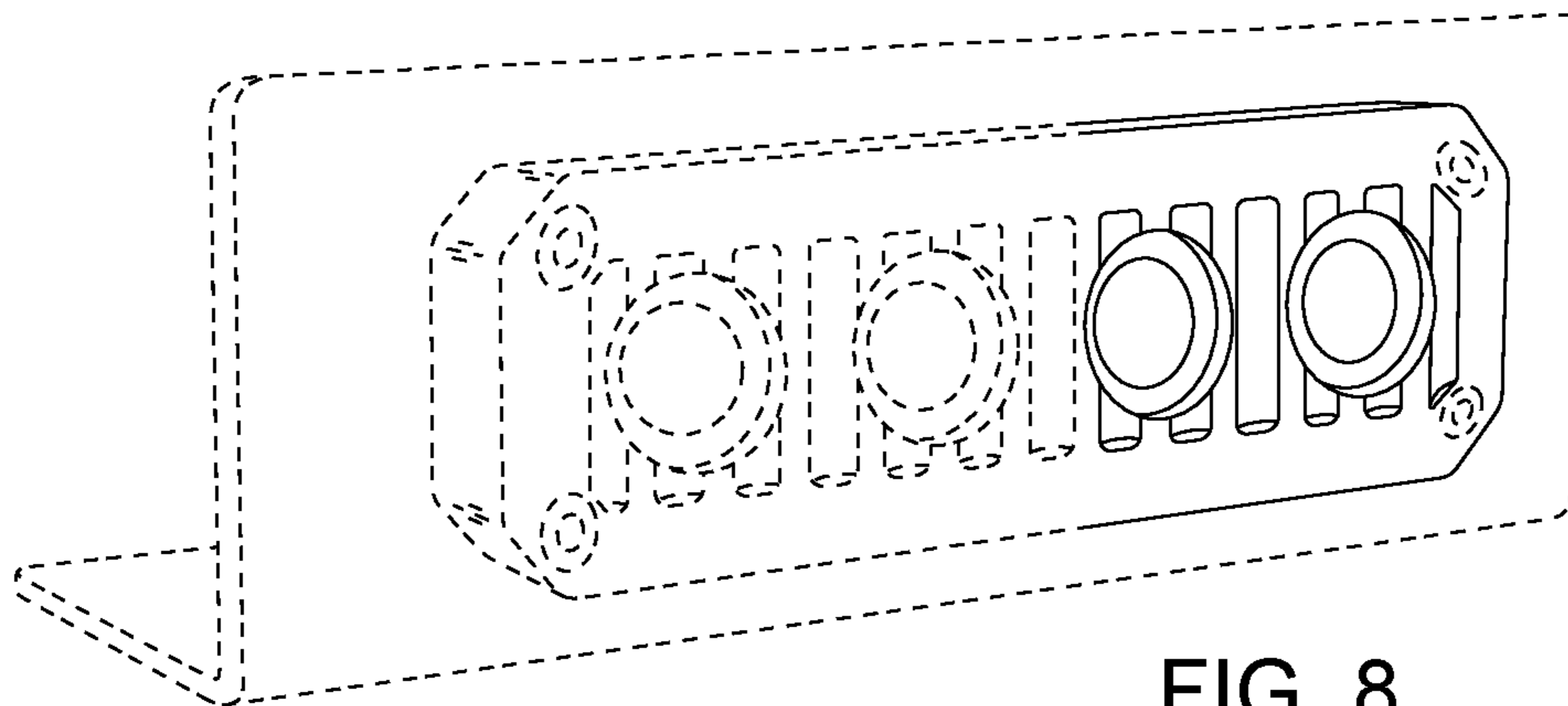


FIG. 8

FIG. 9

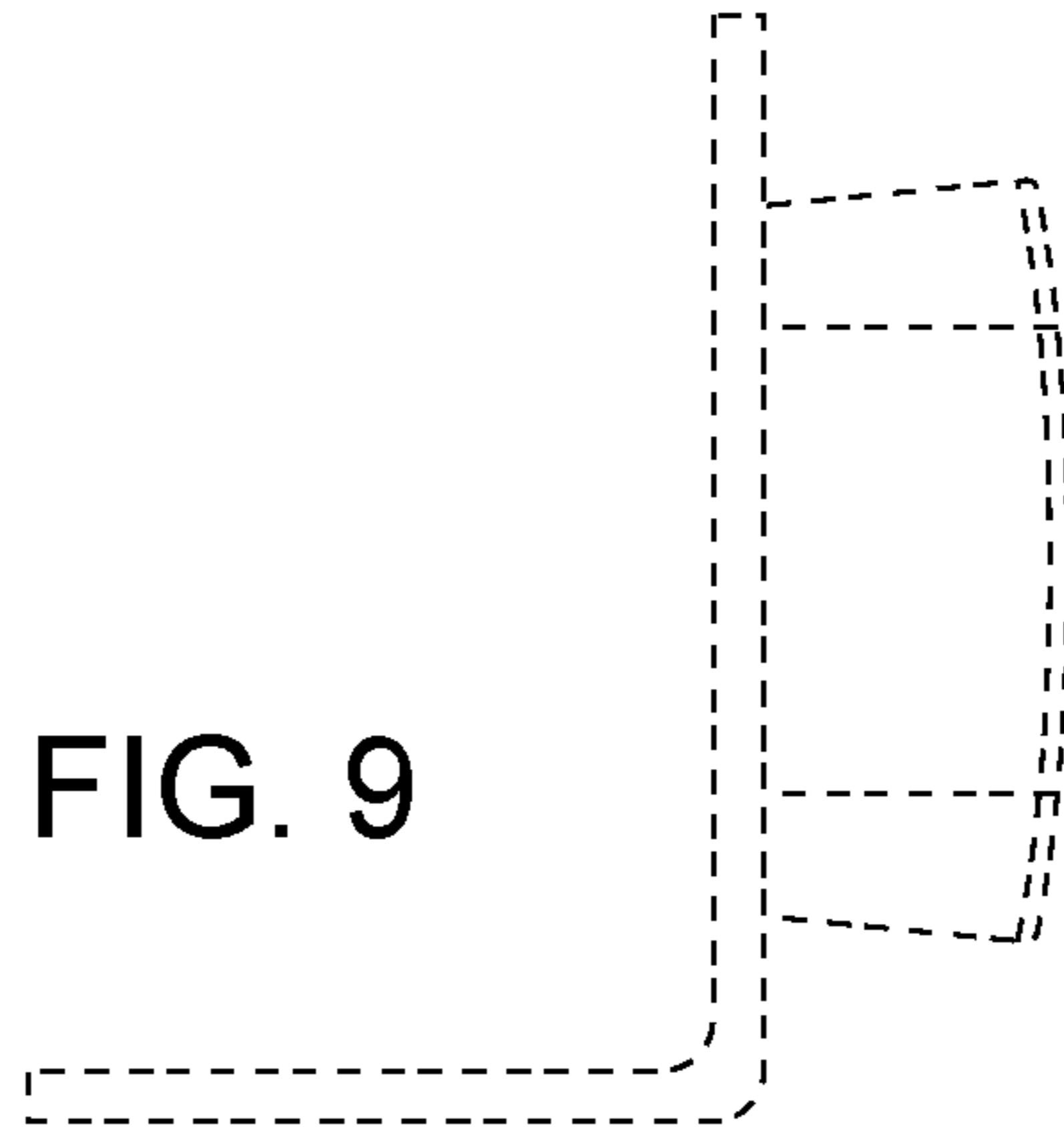
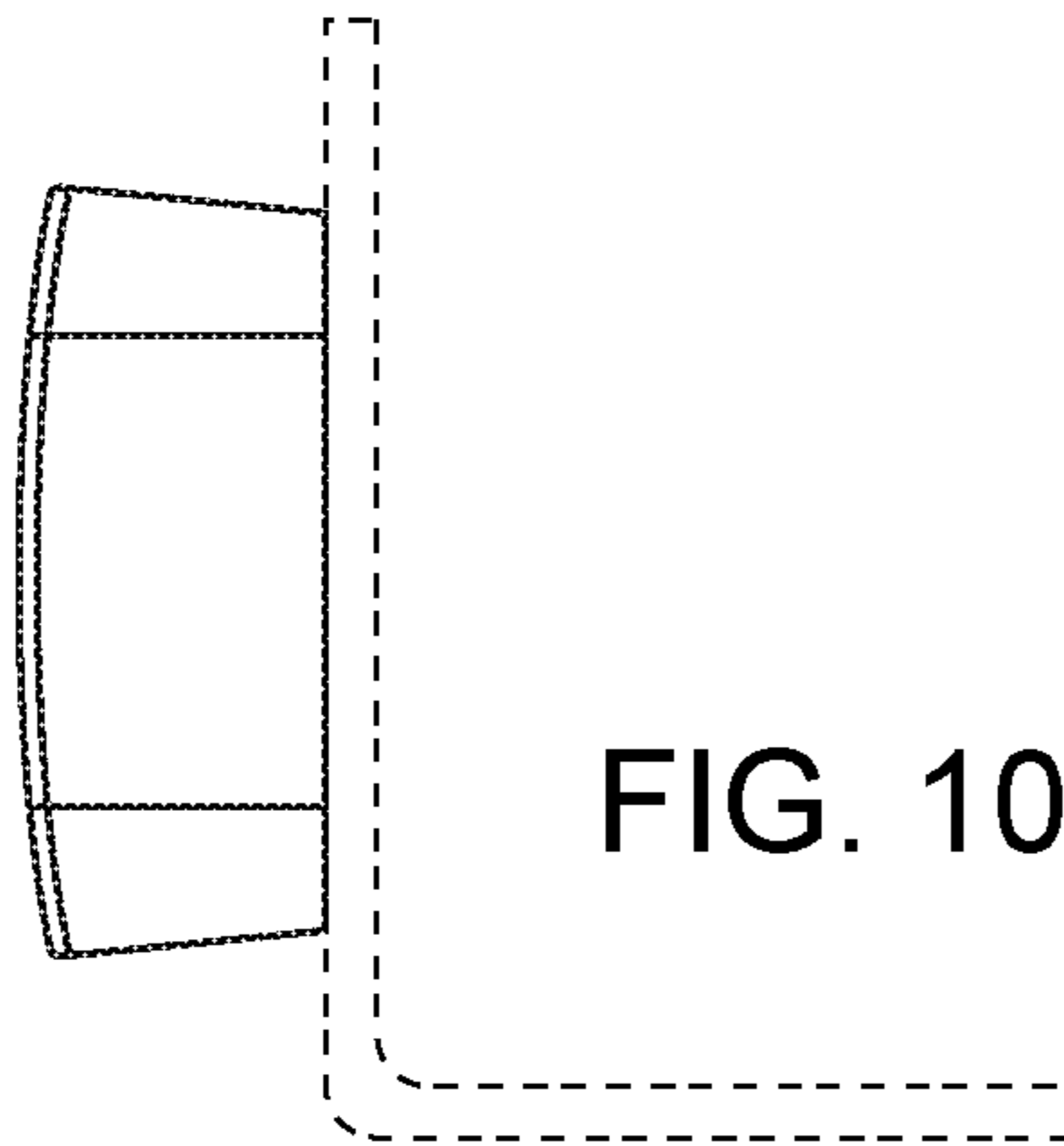


FIG. 10



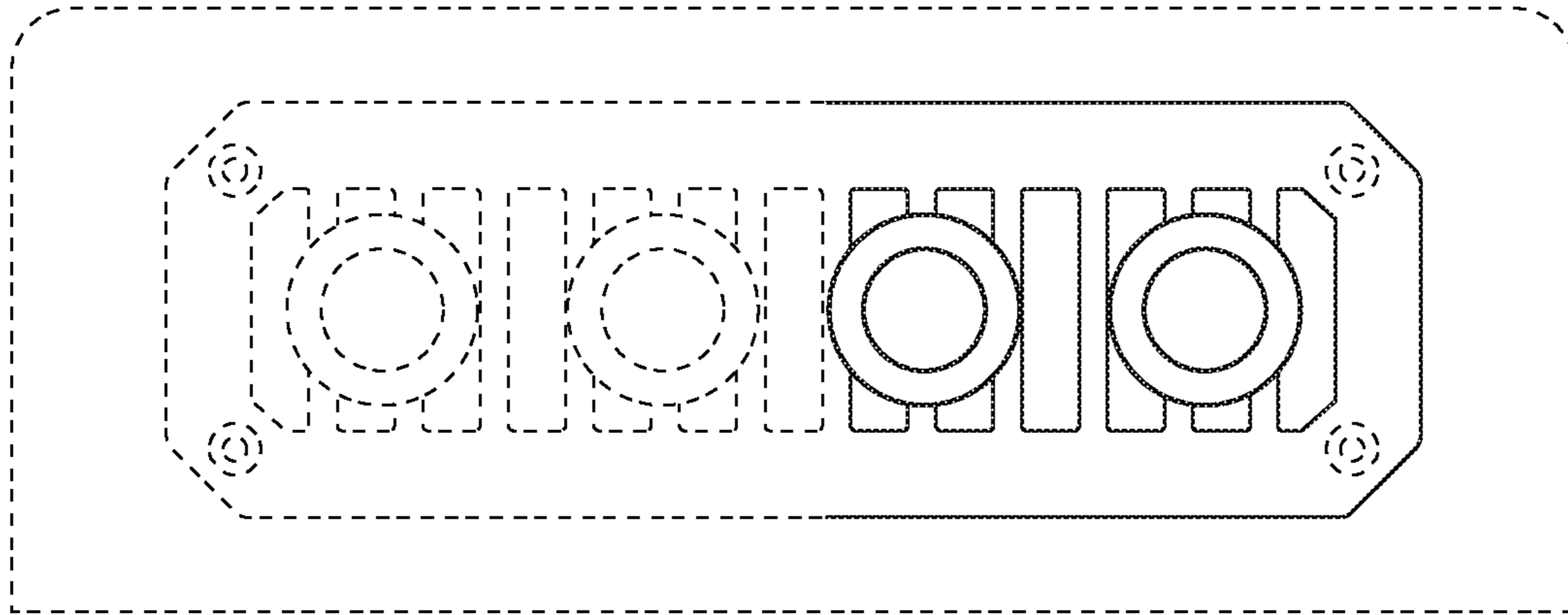


FIG. 11

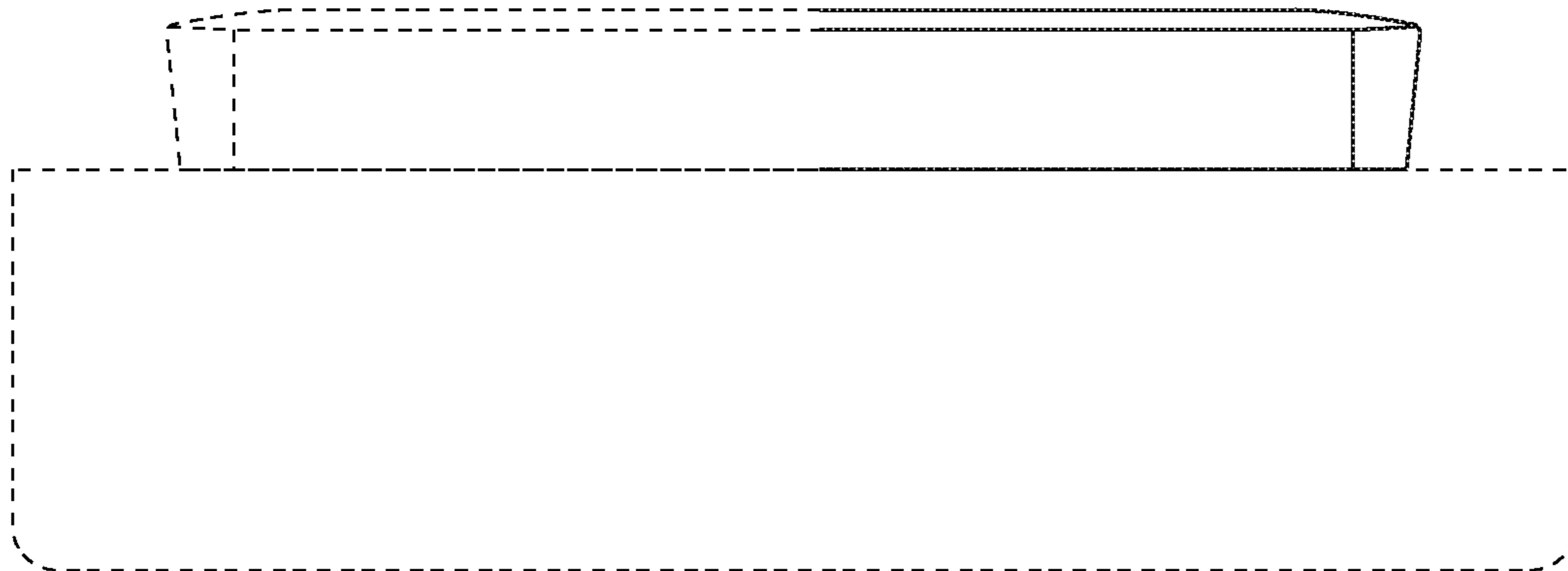


FIG. 12

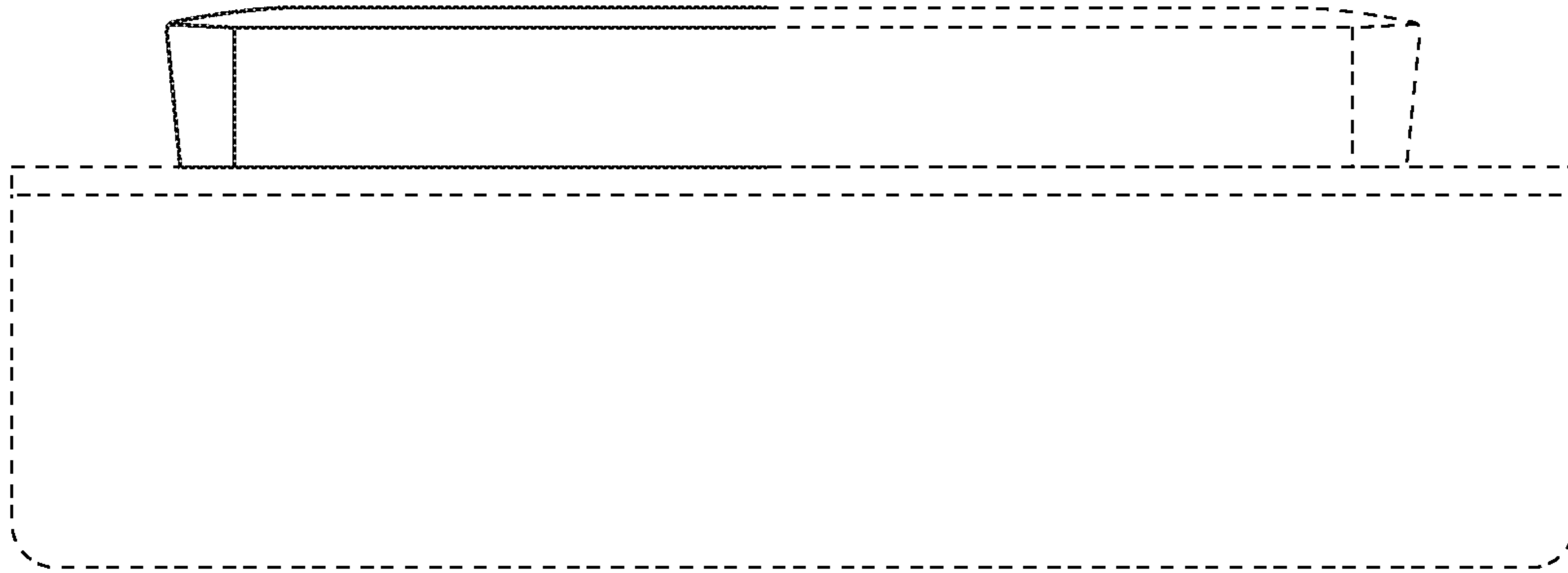


FIG. 13



FIG. 14