



US00D882440S

(12) **United States Design Patent**
Miller et al.

(10) **Patent No.:** **US D882,440 S**
(45) **Date of Patent:** **** Apr. 28, 2020**

(54) **SECURITY TAG WITH RETRACTABLE PIN**

(71) Applicants: **Channing Everett Miller**, Fort Lauderdale, FL (US); **Sergio M. Perez**, Boca Raton, FL (US)

(72) Inventors: **Channing Everett Miller**, Fort Lauderdale, FL (US); **Sergio M. Perez**, Boca Raton, FL (US)

(73) Assignee: **Sensormatic Electronics, LLC**, Boca Raton, FL (US)

(**) Term: **15 Years**

(21) Appl. No.: **29/638,999**

(22) Filed: **Mar. 2, 2018**

(51) **LOC (12) Cl.** **10-05**

(52) **U.S. Cl.**
USPC **D10/106.91**

(58) **Field of Classification Search**
USPC D10/104.1, 106.9, 106.91, 106.93, 109.1;
70/57.1; D14/140, 142, 240, 217, 218,
(Continued)

(56) **References Cited**

U.S. PATENT DOCUMENTS

D343,135 S * 1/1994 Witzky D10/106.91
D427,929 S * 7/2000 Sayegh D10/104.1
(Continued)

OTHER PUBLICATIONS

“New! Sensormatic InFuzion Tags” available Dec. 5, 2018, [online], [site visited May 15, 2019]. Retrieved from Internet, <URL:https://vimeo.com/304707722> (Year: 2018).*
(Continued)

Primary Examiner — Michael C Stout

Assistant Examiner — Katrina N Gonzalez

(74) *Attorney, Agent, or Firm* — Arent Fox LLP

(57) **CLAIM**

The ornamental design for a security tag with retractable pin, as shown and described.

DESCRIPTION

The file of this patent contains at least one drawing/photograph executed in color. Copies of this patent with color

drawing(s)/photograph(s) will be provided by the Office upon request and payment of the necessary fee.

FIG. 1 is a perspective view taken from the front and right sides showing the new design in an unlocked configuration, in which a movable locking button is in an undepressed position;

FIG. 2 is a perspective view of the design and configuration shown in FIG. 1 taken from the front and left sides;

FIG. 3 is a right side elevation view of the design and configuration shown in FIG. 1;

FIG. 4 is a left side elevation view of the design and configuration shown in FIG. 1;

FIG. 5 is a front end view of the design and configuration shown in FIG. 1;

FIG. 6 is a rear end view of the design and configuration shown in FIG. 1;

FIG. 7 is a top plan view of the design and configuration shown in FIG. 1;

FIG. 8 is a bottom plan view of the design and configuration shown in FIG. 1;

FIG. 9 is a perspective view of the design and configuration shown in FIG. 1 taken from the rear and left sides;

FIG. 10 is a perspective view of the design and configuration shown in FIG. 1 taken from the rear and right sides;

FIG. 11 is a perspective view taken from the front and right sides showing the new design in an locked configuration, in which the movable locking button is in a depressed position causing a locking pin (not visible in FIG. 11) to extend into a recess;

FIG. 12 is a perspective view of the design and configuration shown in FIG. 1 taken from the front and left sides;

FIG. 13 is a right side elevation view of the design and configuration shown in FIG. 11;

FIG. 14 is a left side elevation view of the design and configuration shown in FIG. 11;

FIG. 15 is a front end view of the design and configuration shown in FIG. 11;

FIG. 16 is a rear end view of the design and configuration shown in FIG. 11;

FIG. 17 is a top plan view of the design and configuration shown in FIG. 11;

FIG. 18 is a bottom plan view of the design and configuration shown in FIG. 11;

(Continued)

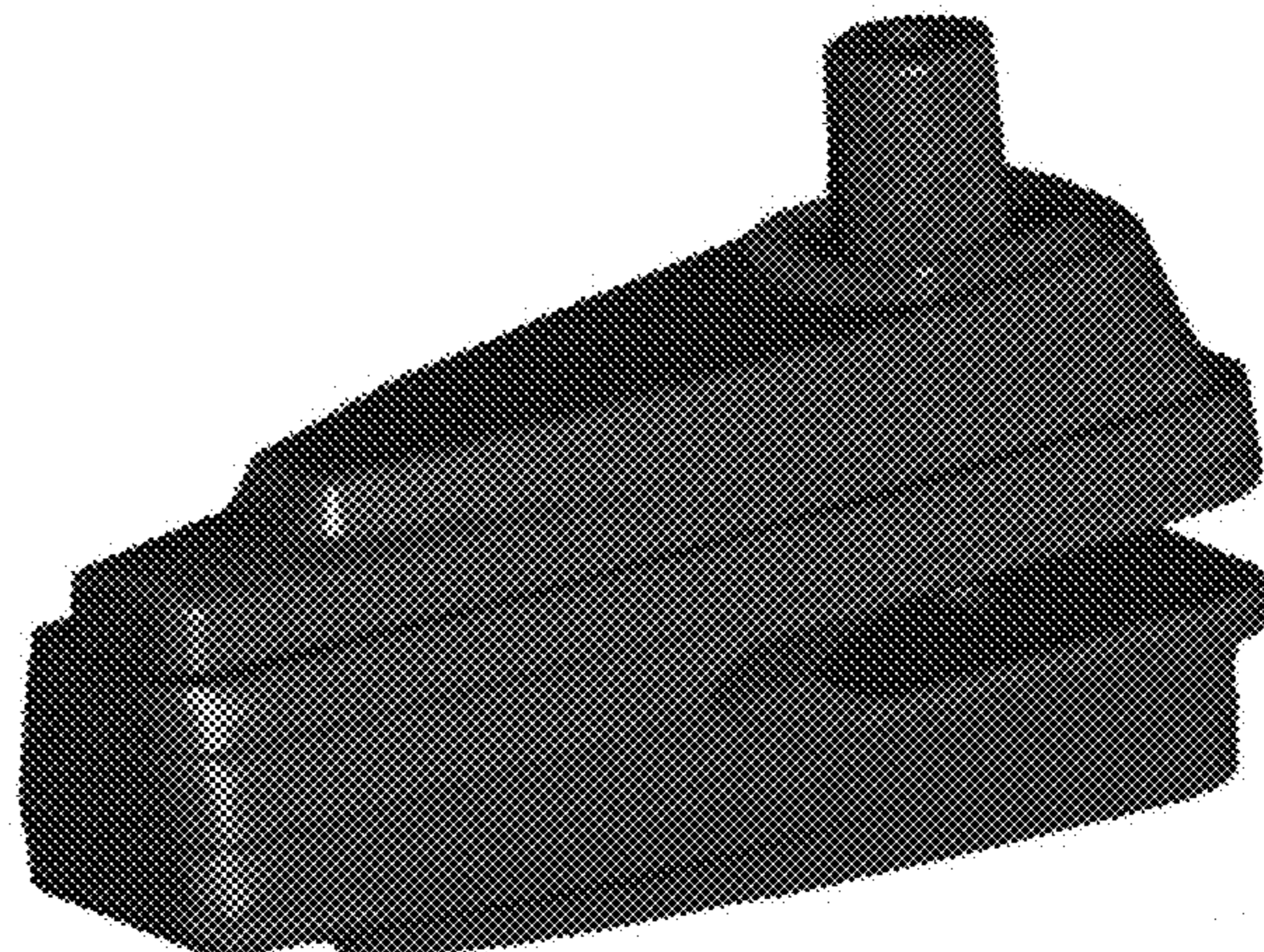


FIG. 19 is a perspective view of the design and configuration shown in FIG. 11 taken from the rear and left sides; and, FIG. 20 is a perspective view of the design and configuration shown in FIG. 11 taken from the rear and right sides.

**1 Claim, 10 Drawing Sheets
(10 of 10 Drawing Sheet(s) Filed in Color)**

(58) **Field of Classification Search**

USPC D14/155, 356, 357, 358, 359, 383, 385,
D14/432, 435, 435.1, 447, 553, 480.1,
D14/480.3, 480.5, 480.7, 483, 484.1;
D3/208; D13/168; D8/347
CPC H04W 4/80; H04W 4/029; H04W 12/08;
H04W 4/025; H04W 12/0023; H04W
12/02; H04W 12/04; H04W 12/06; H04W
4/046; H04W 4/40; H04W 52/0229;
H04W 88/02; H04W 12/00407; H04W
12/12; H04W 40/244; H04W 48/12;
H04W 48/16; H04W 4/00; H04W 4/023;
H04W 4/026; H04W 4/027; H04W 4/04;
H04W 4/06; H04W 4/18; H04W 4/21;
H04W 4/24; H04W 4/30; H04W 4/33;
H04W 4/35; H04W 4/44; H04W 4/70;
H04W 64/00; H04W 64/006; H04W
76/10; H04W 76/15; H04W 76/34; H04W
84/042; H04W 84/047; H04W 84/12;
H04W 84/18; H04W 88/06; H04W 8/26;
H04W 92/20; H03D 9/02
See application file for complete search history.

(56) **References Cited**

U.S. PATENT DOCUMENTS

6,449,991 B1 * 9/2002 Hogan E05B 73/0017
24/600.7ke

D466,426 S * 12/2002 Proulx D10/106.91
D492,214 S * 6/2004 Sayegh D10/106.91
D559,720 S * 1/2008 Raymond D10/106.91
D569,288 S * 5/2008 Raymond D10/104.1
D605,066 S * 12/2009 Raymond D10/106.91
D609,125 S * 2/2010 Perez D10/106.9
D625,637 S * 10/2010 Sayegh D10/106.91
D679,209 S * 4/2013 Reynolds D10/106.91
D686,099 S * 7/2013 Sayegh D10/106.93
D696,150 S * 12/2013 Wu D10/106.9
D696,151 S * 12/2013 Wu D10/106.91
D696,599 S * 12/2013 Luo D10/106.9
D696,600 S * 12/2013 Wu D10/106.9
D698,273 S * 1/2014 Sayegh D10/106.91
8,683,830 B2 * 4/2014 Conti E05B 73/0017
206/1.5
D705,686 S * 5/2014 Wu D10/106.91
D706,153 S * 6/2014 Sayegh D10/106.91
D709,398 S * 7/2014 Leyden D10/106.9
D714,176 S * 9/2014 Perez D10/106.91
D714,670 S * 10/2014 Wu D10/106.9
D742,772 S * 11/2015 Yang D10/106.9
9,734,683 B1 8/2017 Perez
2006/0254326 A1 * 11/2006 Lax E05B 73/0058
70/57.1
2013/0340489 A1 * 12/2013 Kozłowski, Jr. E05B 73/0017
70/57.1

OTHER PUBLICATIONS

“Tyco Retail Solutions launches the new EAS InFuzion label”
available Jun. 18, 2018, [online], [site visited May 15, 2019].
Retrieved from Internet, <URL:https://tpvnews.es/hardware/
dispositivos/tyco-retail-solutions-lanza-la-nueva-etiqueta-eas-infuzion-
201806189243.htm> (Year: 2018).*

* cited by examiner



FIG. 1

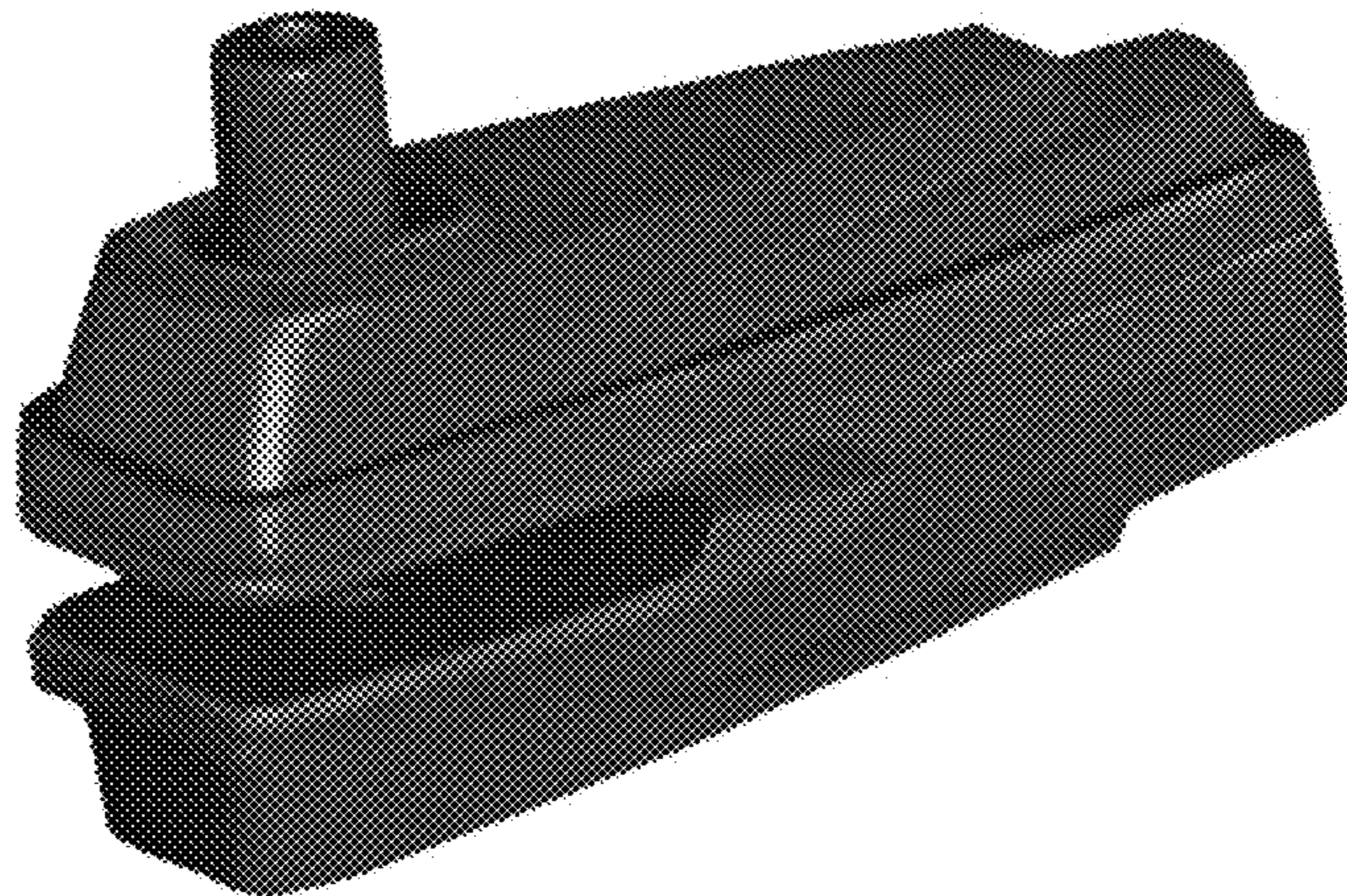


FIG. 2

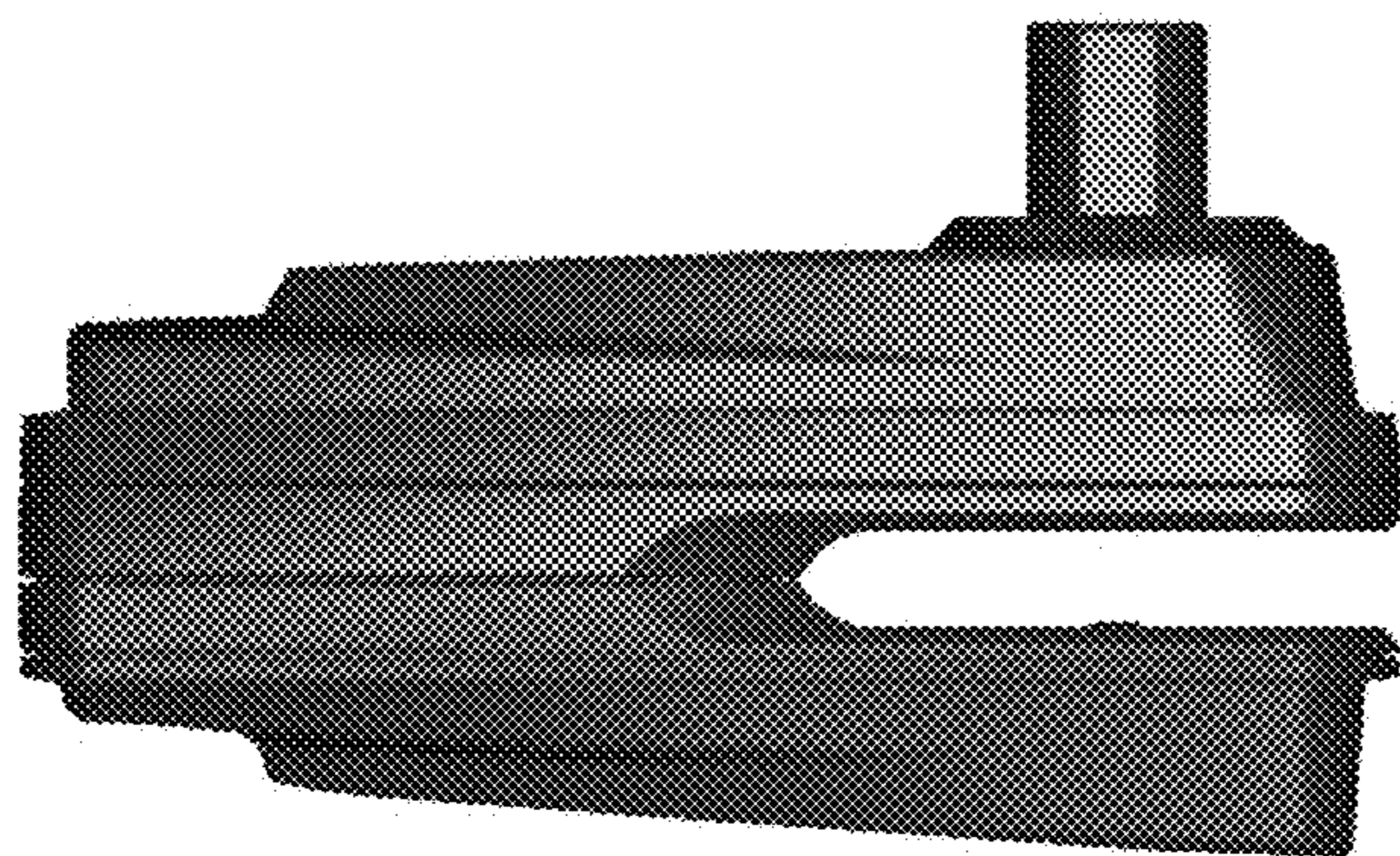


FIG. 3

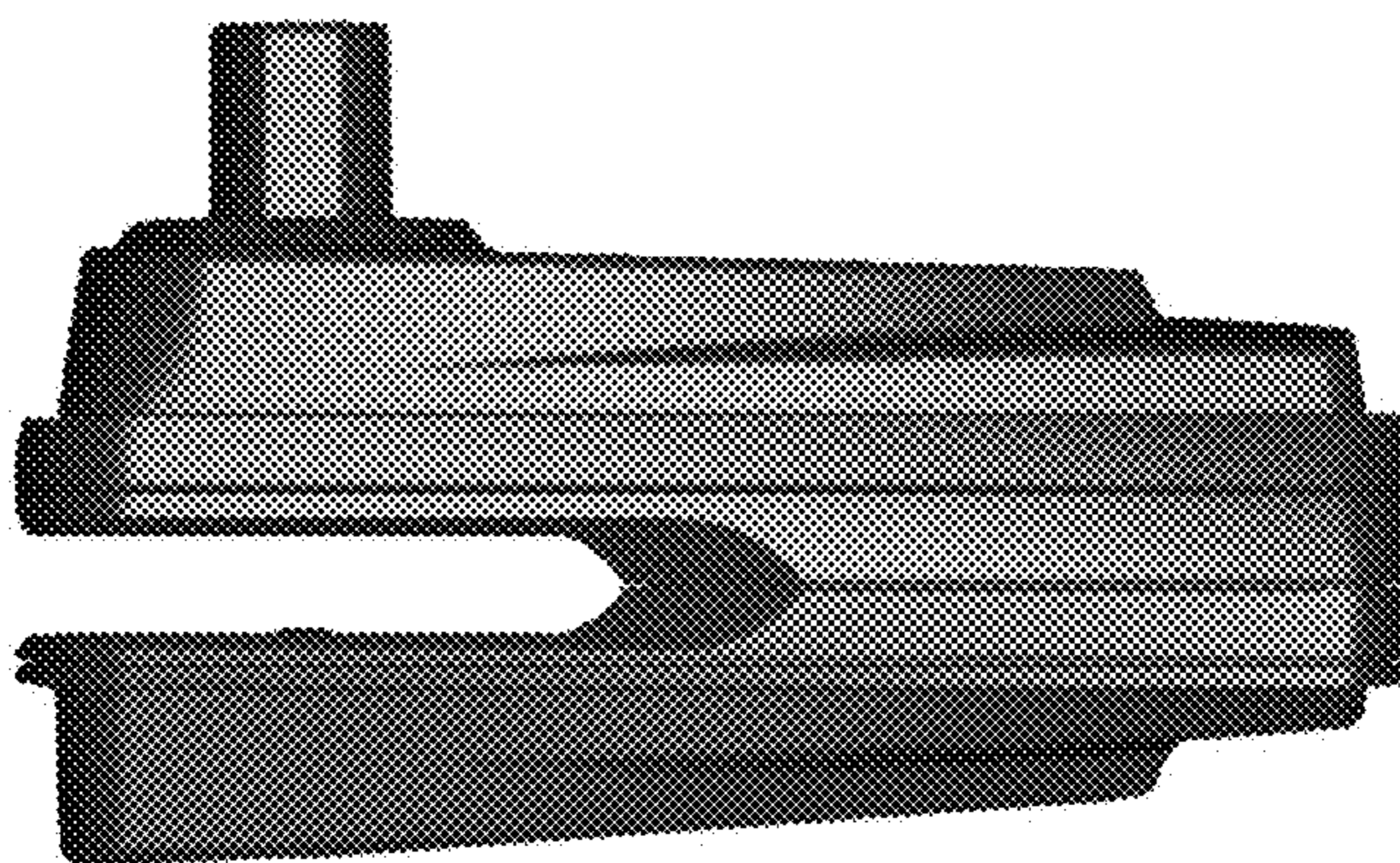


FIG. 4

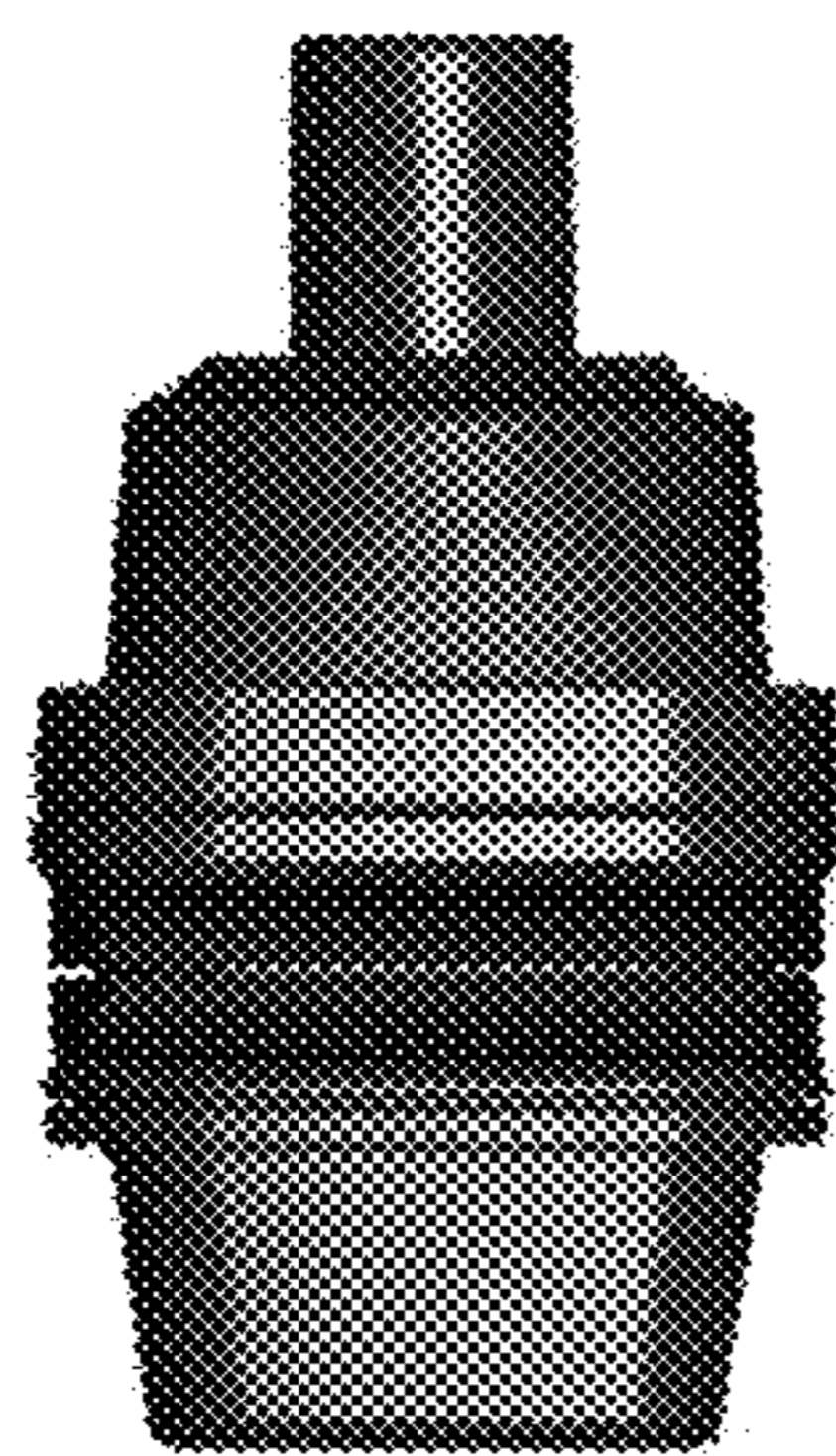


FIG. 5

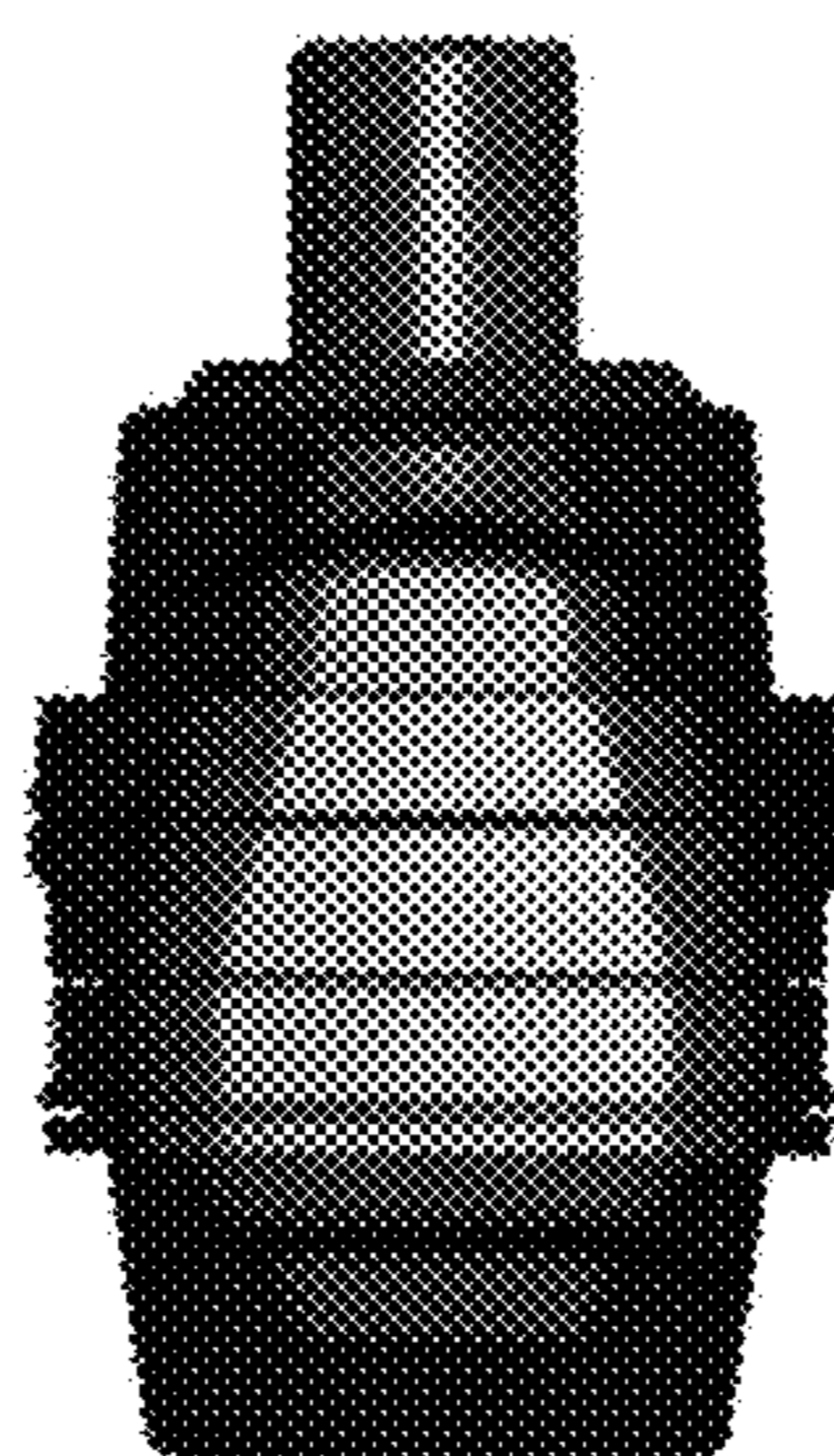


FIG. 6

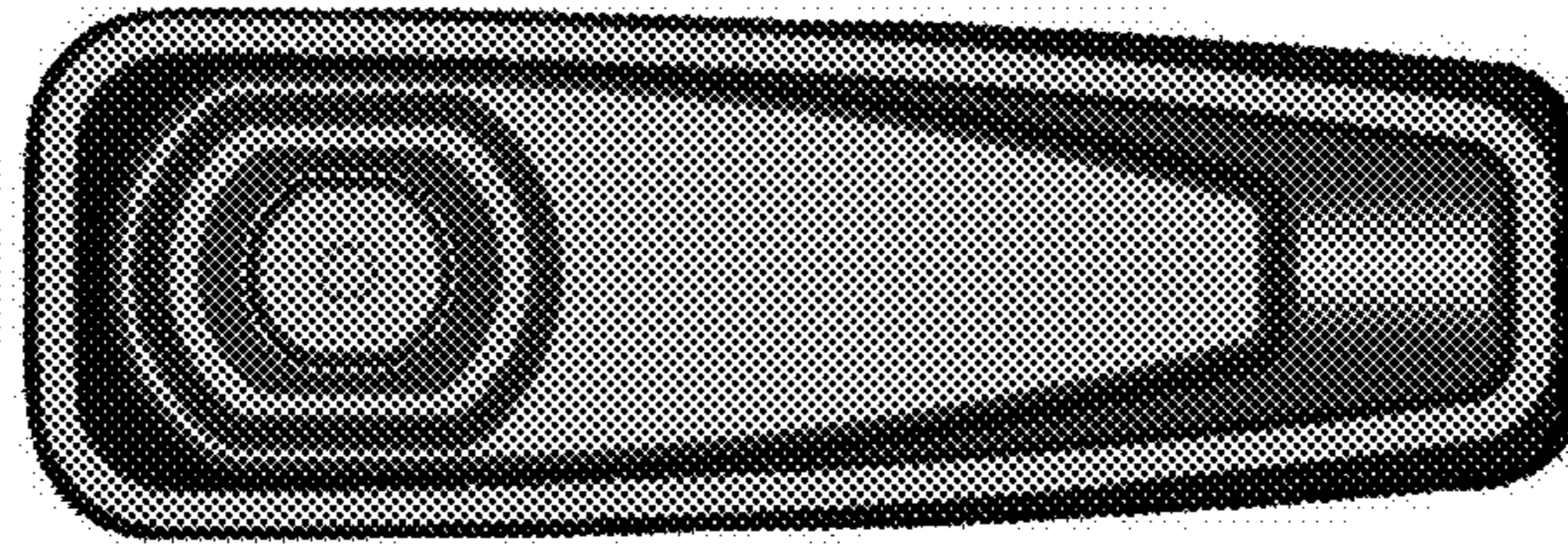


FIG. 7

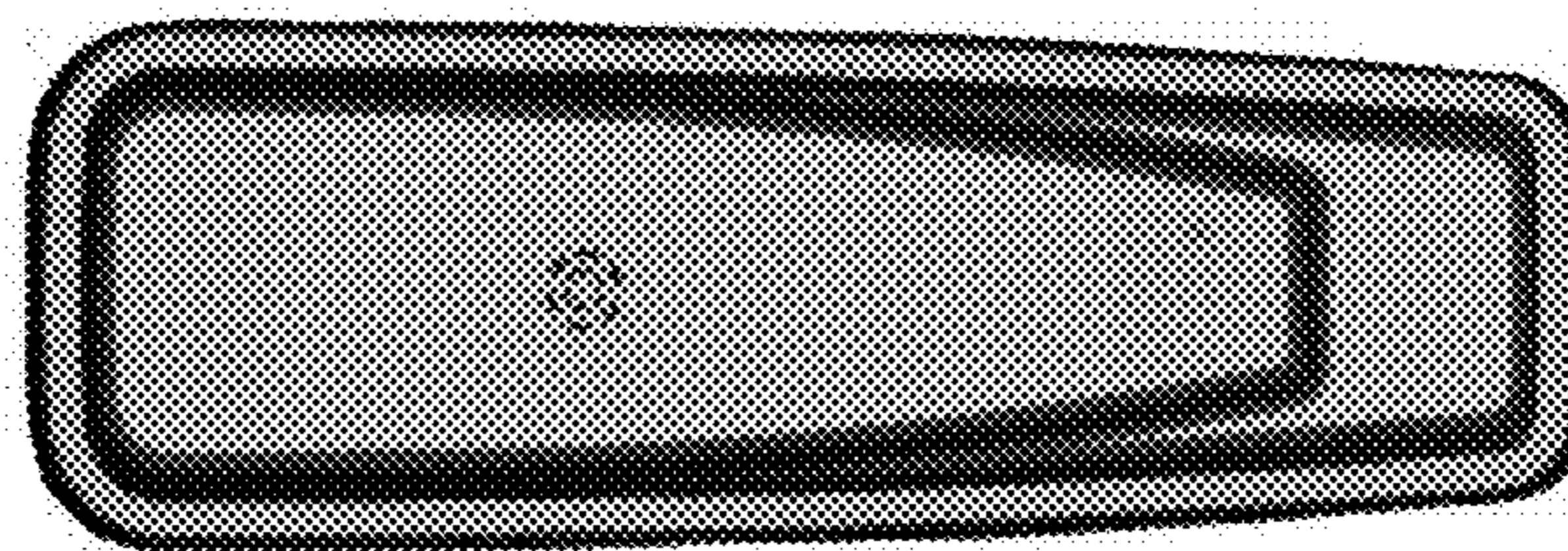


FIG. 8

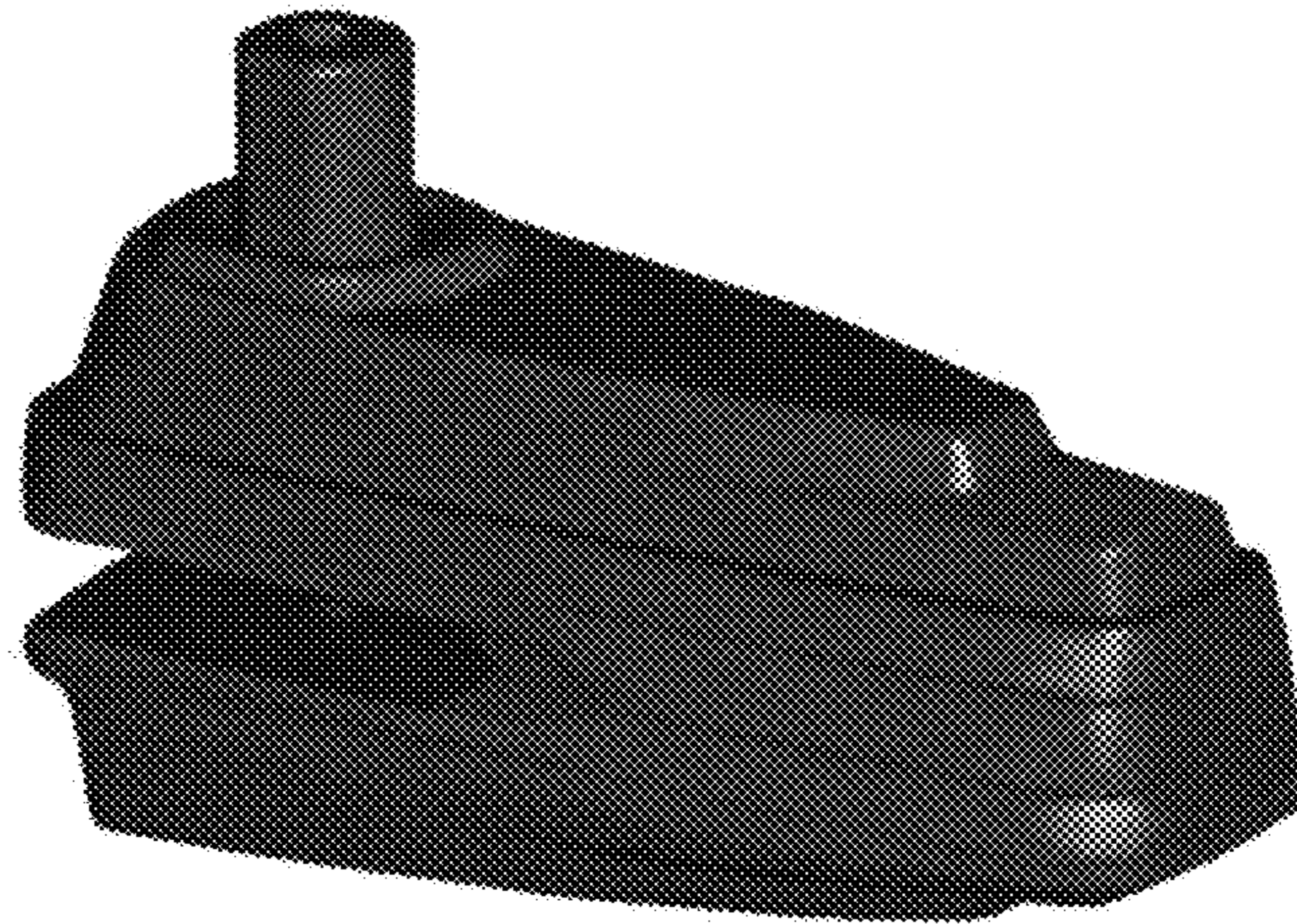


FIG. 9

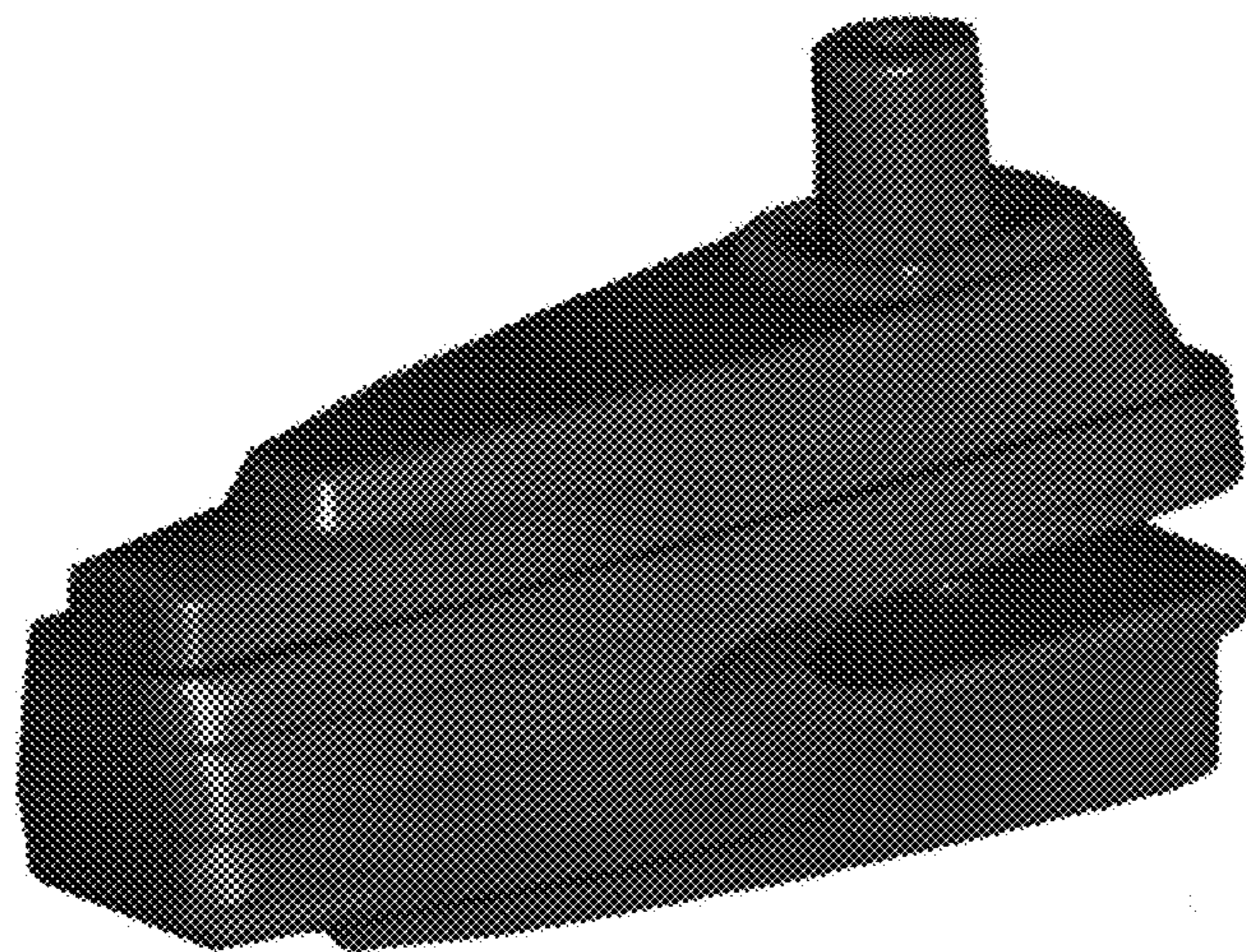


FIG. 10



FIG. 11

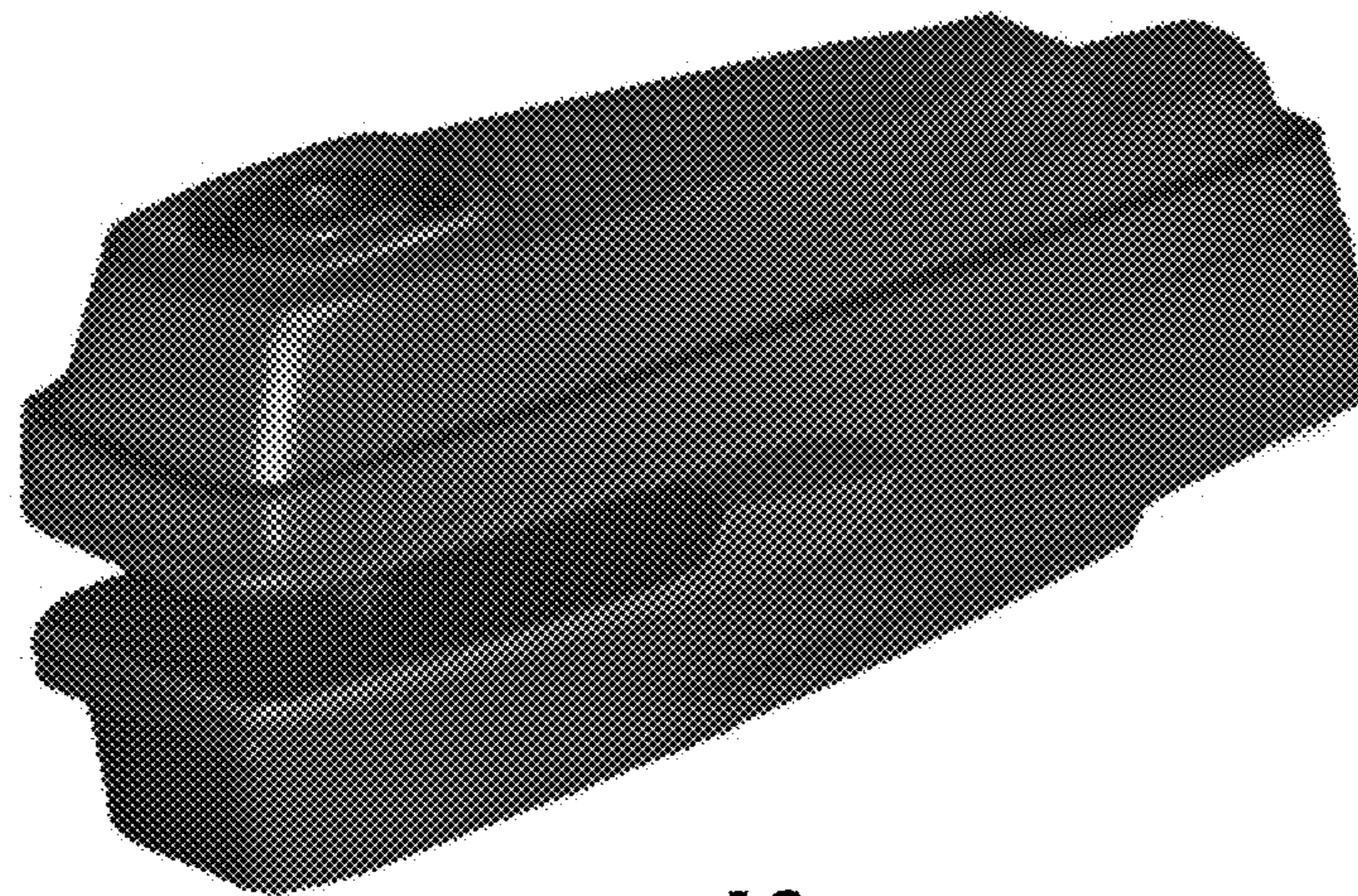


FIG. 12

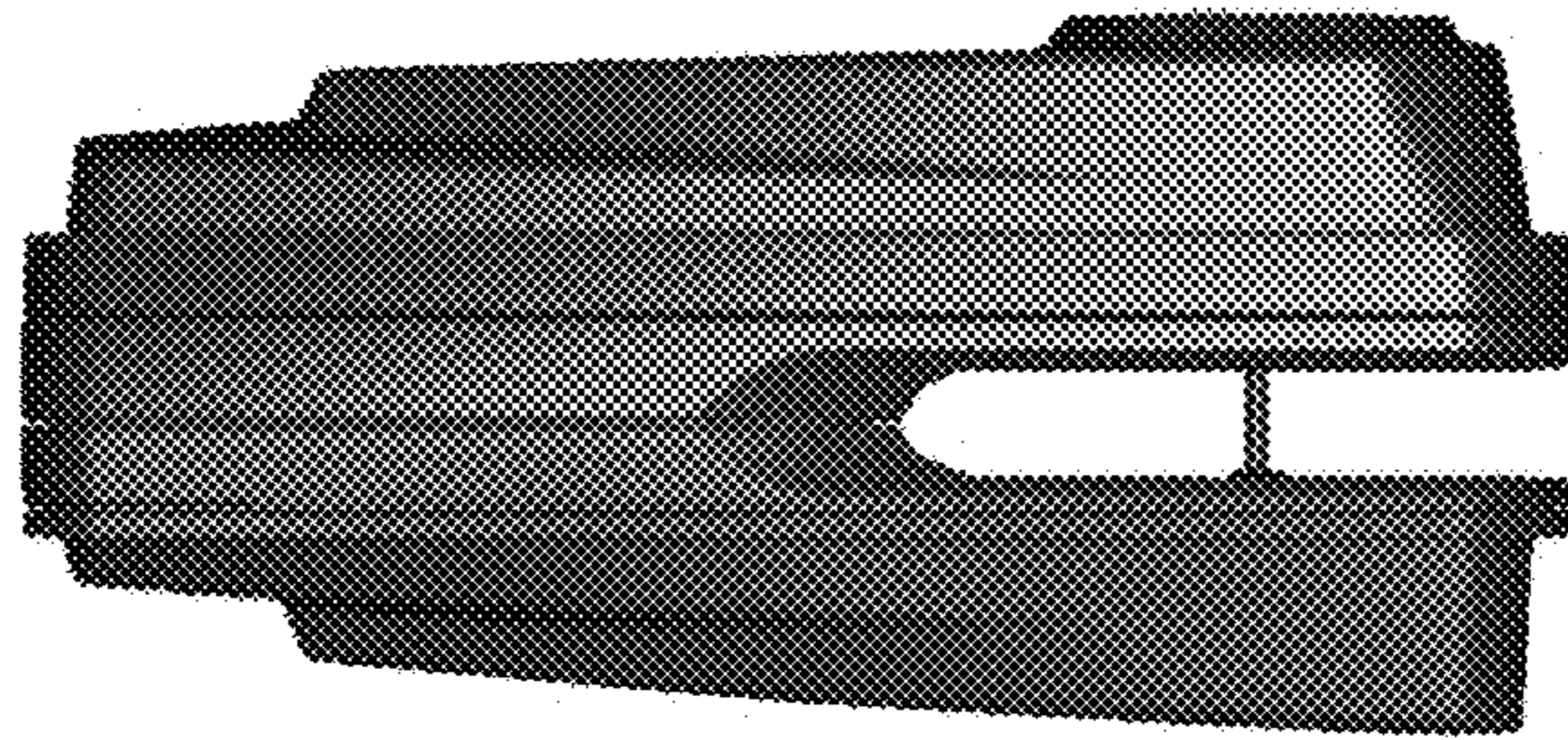


FIG. 13

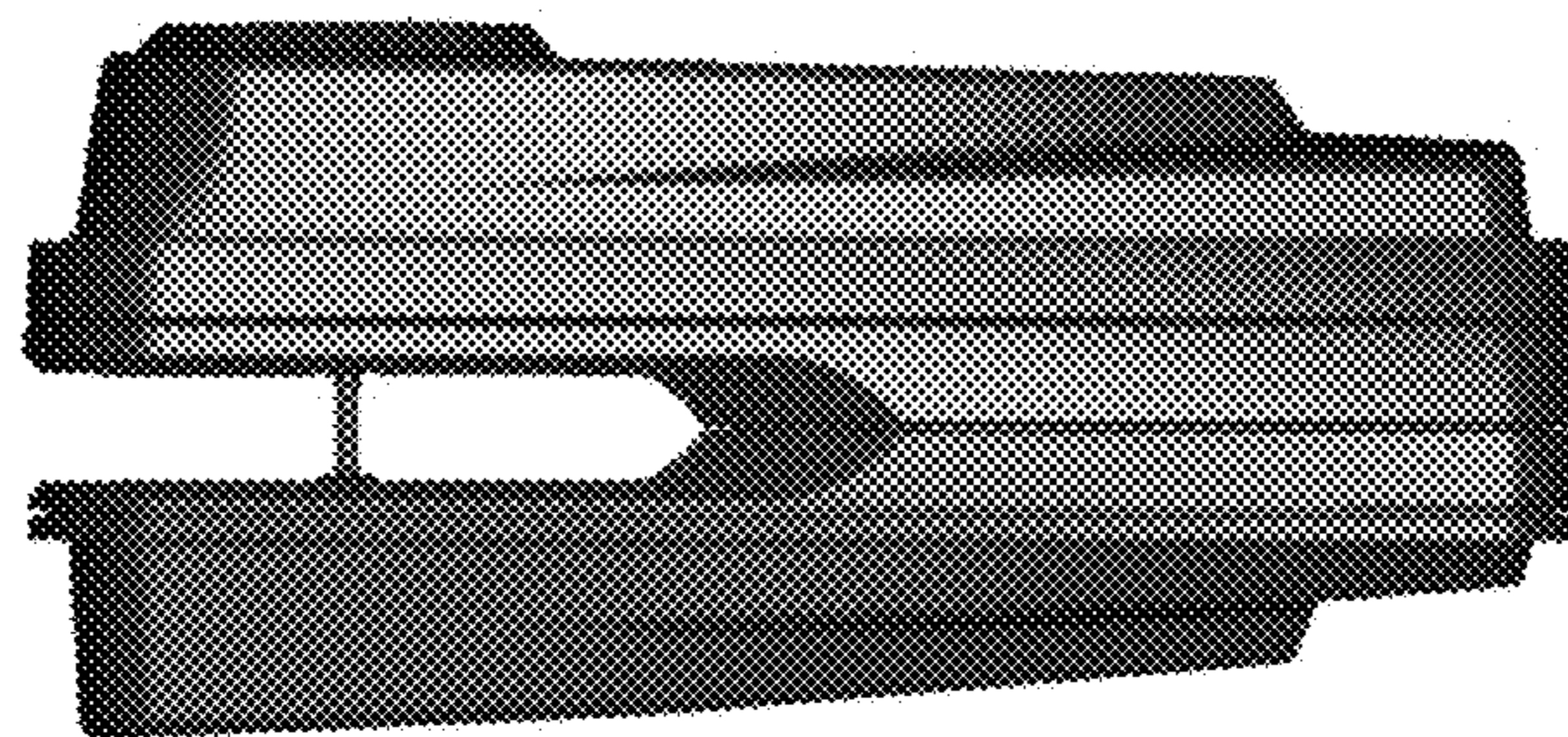


FIG. 14

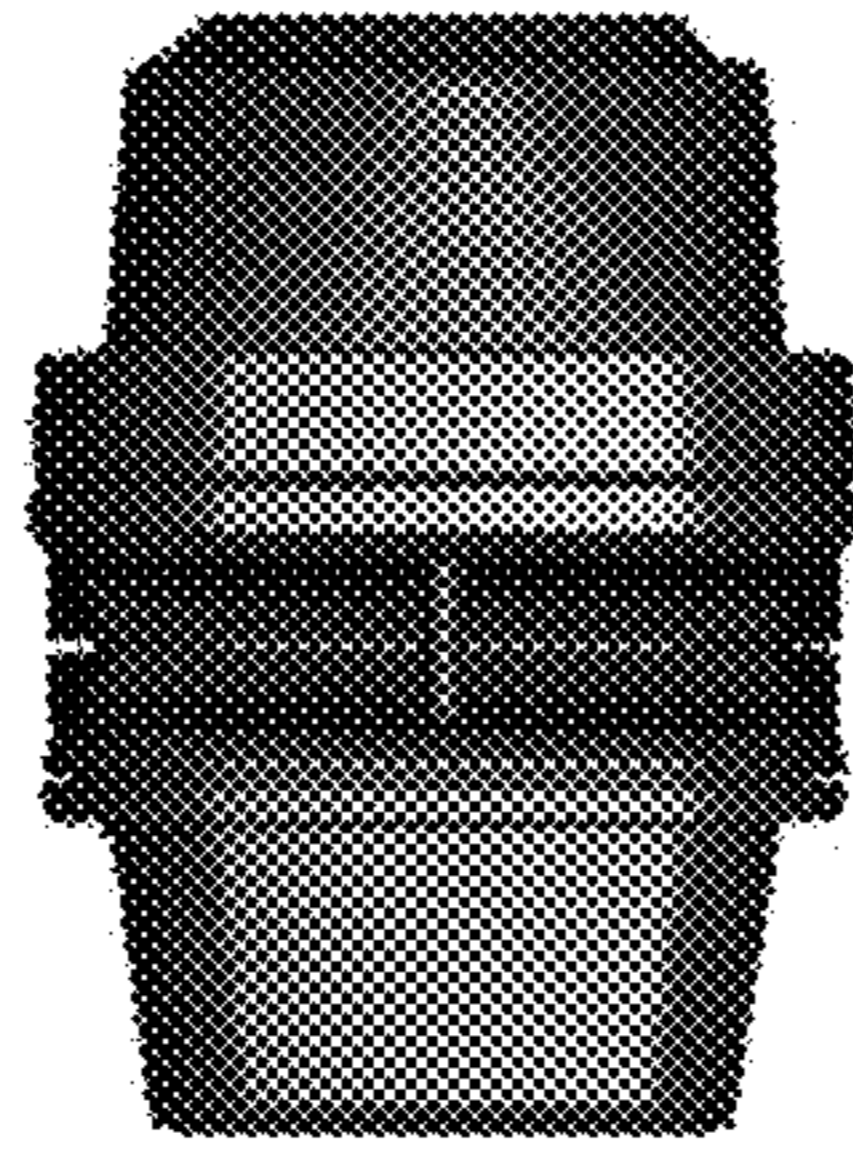


FIG. 15

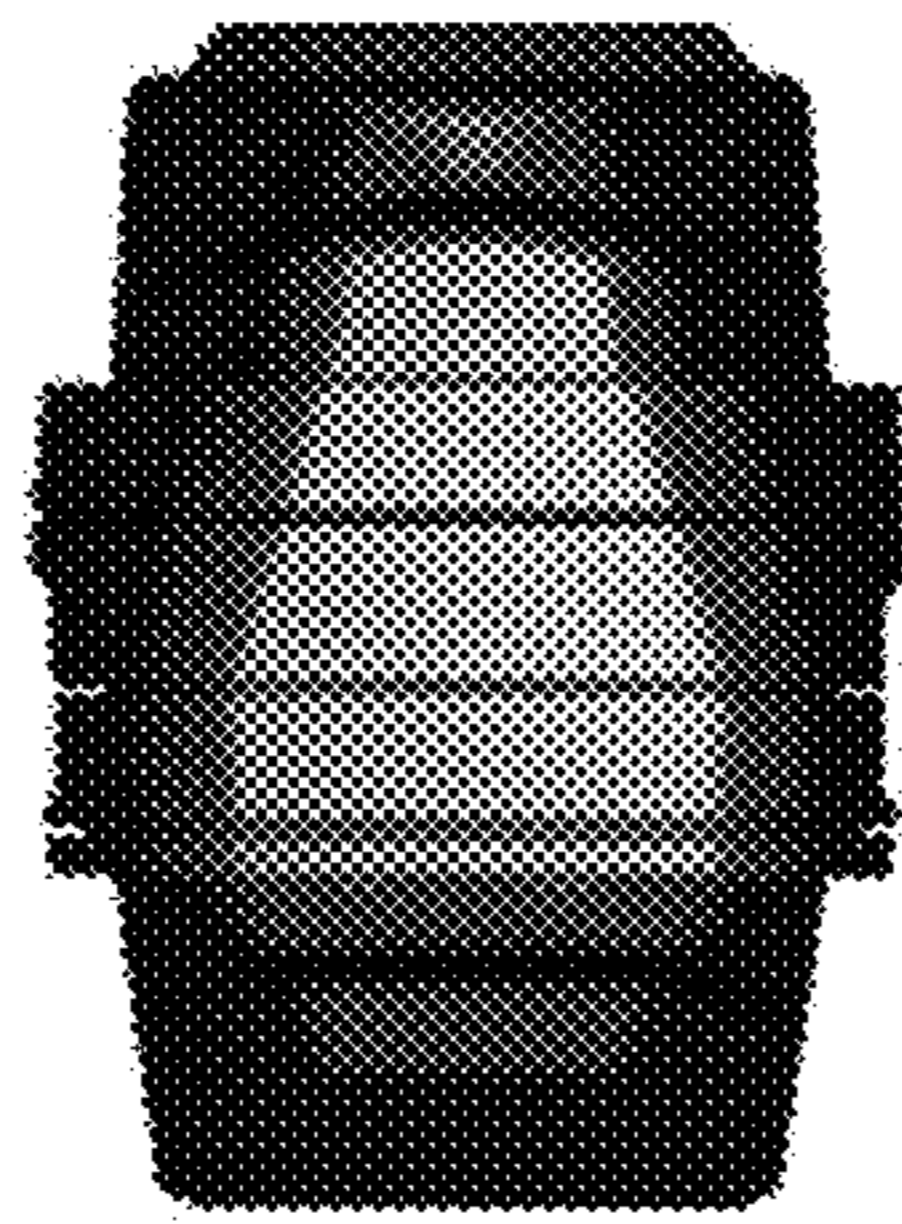


FIG. 16

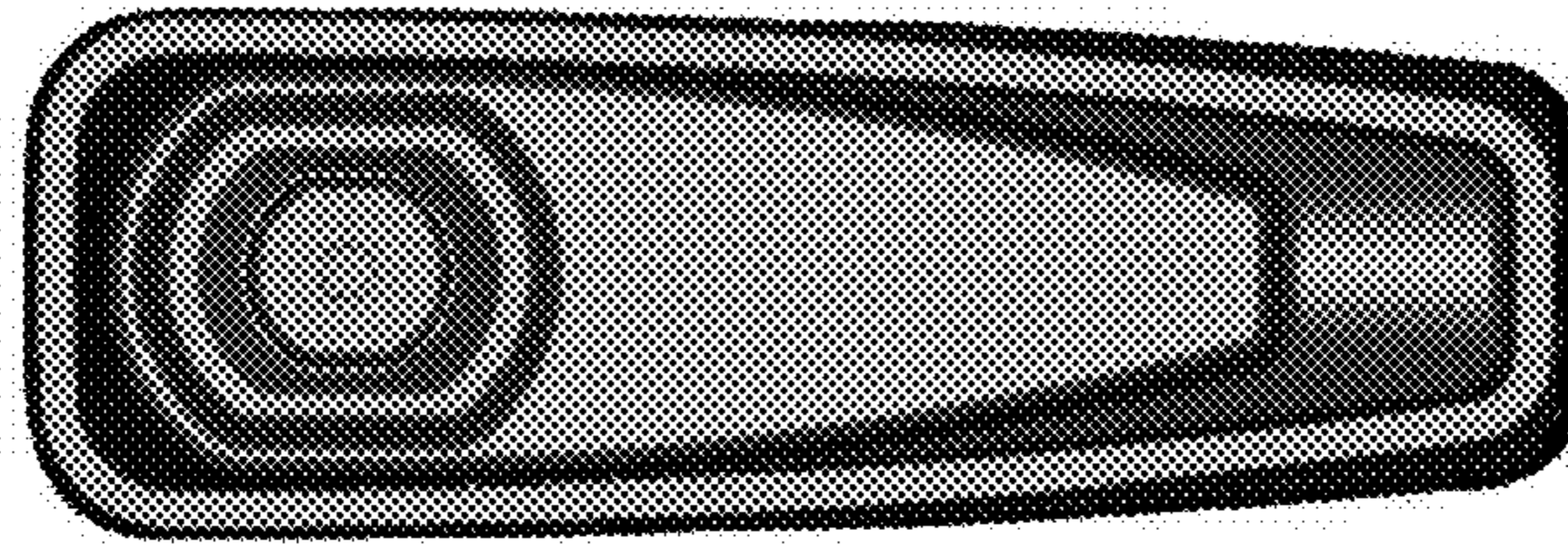


FIG. 17

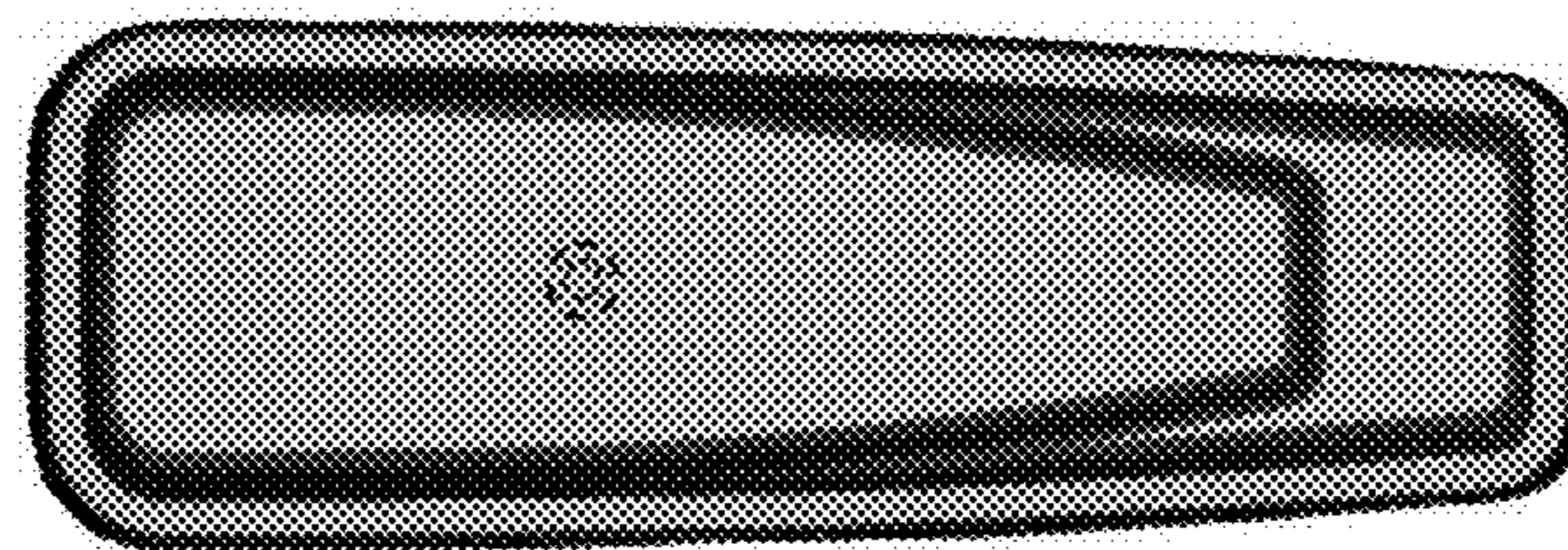


FIG. 18

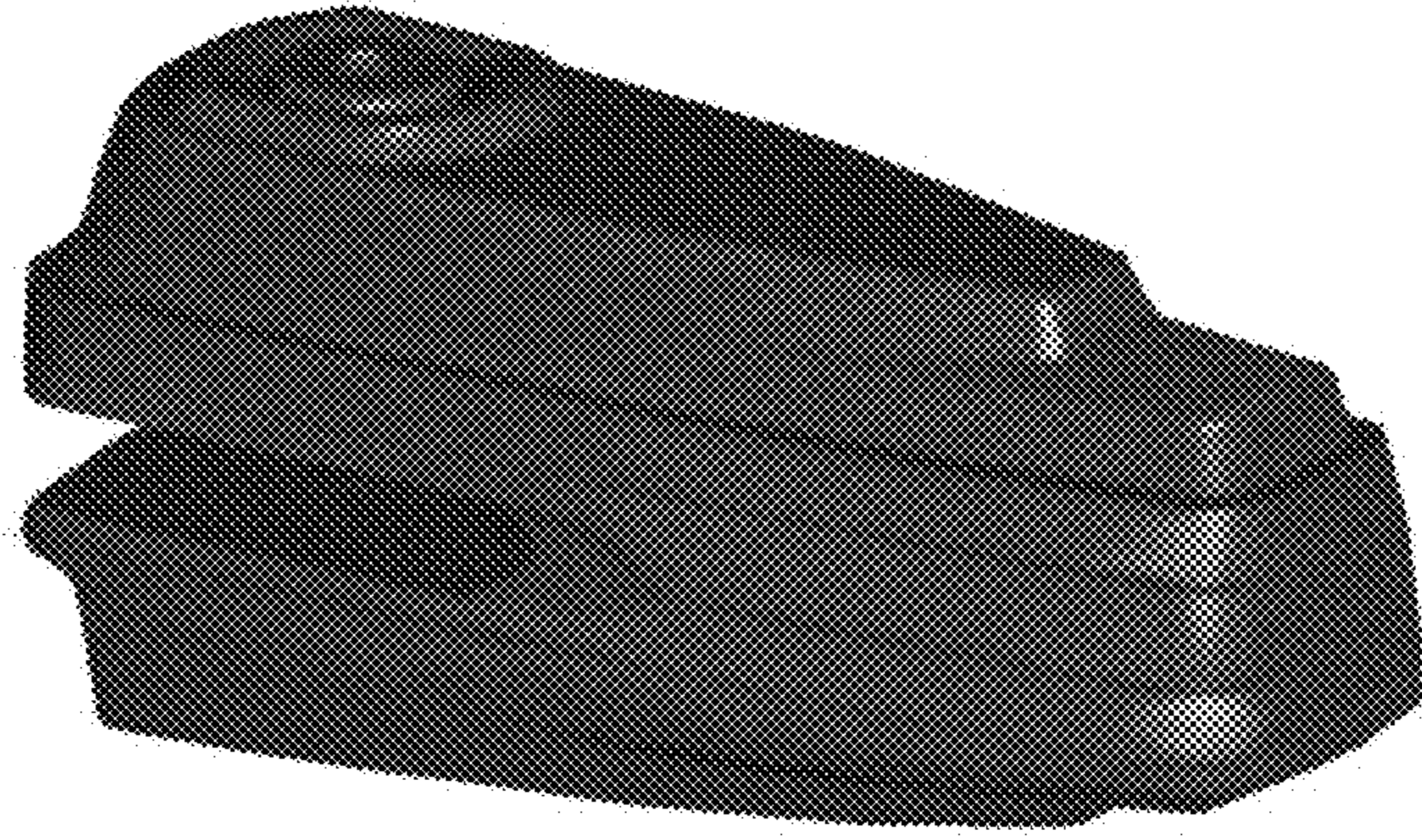


FIG. 19



FIG. 20