



US00D882439S

(12) **United States Design Patent**
Fan

(10) **Patent No.:** **US D882,439 S**

(45) **Date of Patent:** **** Apr. 28, 2020**

(54) **LOCATOR**

(71) Applicant: **UBISIGHT TECHNOLOGY LLC**,
Emerson, NJ (US)

(72) Inventor: **Chenglong Fan**, Beijing (CN)

(73) Assignee: **UBISIGHT TECHNOLOGY LLC**,
Emerson, NJ (US)

(**) Term: **15 Years**

(21) Appl. No.: **29/718,829**

(22) Filed: **Dec. 30, 2019**

Related U.S. Application Data

(62) Division of application No. 29/707,105, filed on Sep. 26, 2019.

(51) **LOC (12) Cl.** **10-05**

(52) **U.S. Cl.**
USPC **D10/104.2**

(58) **Field of Classification Search**
USPC D10/104.2, 65, 68, 70
See application file for complete search history.

(56) **References Cited**

U.S. PATENT DOCUMENTS

D693,709 S 11/2013 Lee et al.
D716,677 S 11/2014 Messier et al.

D755,657 S * 5/2016 Xu D10/104.1
D782,346 S * 3/2017 Moses D10/68
D785,473 S * 5/2017 Zhao D10/106.6
D820,123 S * 6/2018 Chou D10/70
D823,703 S 7/2018 Pan

* cited by examiner

Primary Examiner — George D. Kirschbaum

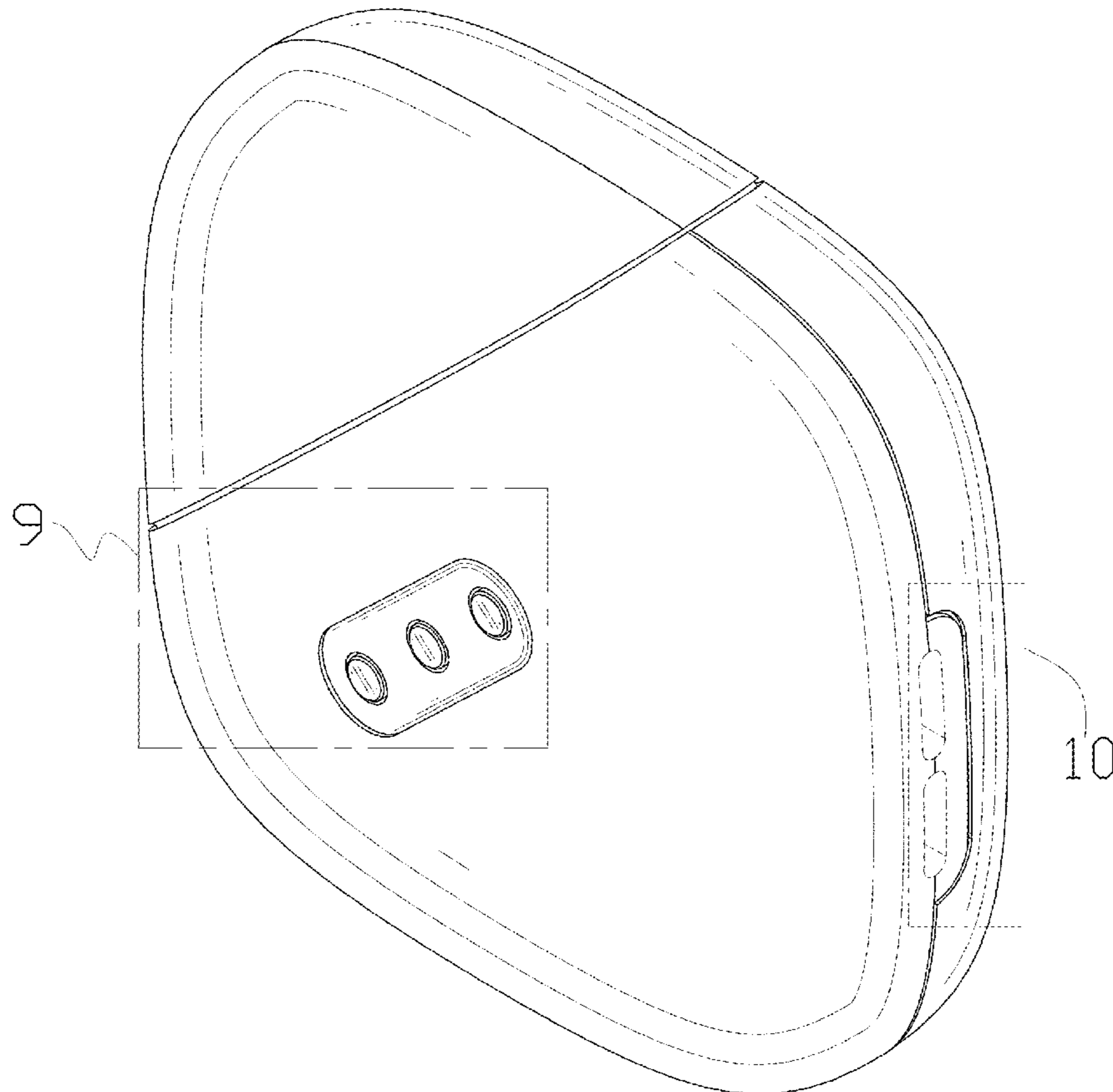
(57) **CLAIM**

The ornamental design for a locator, as shown and described.

DESCRIPTION

FIG. 1 is a perspective view of a locator showing my new design;
FIG. 2 is another perspective view thereof;
FIG. 3 is a front elevational view thereof;
FIG. 4 is a rear elevational view thereof;
FIG. 5 is a left side elevational view thereof;
FIG. 6 is a right side elevational view thereof;
FIG. 7 is a top plan view thereof;
FIG. 8 is a bottom plan view thereof;
FIG. 9 is enlarged view of portion 9 shown in FIG. 1; and,
FIG. 10 is enlarged view of portion 10 shown in FIG. 1.
The broken lines in the drawings depict portions of the locator that form no part of the claimed design.

1 Claim, 10 Drawing Sheets



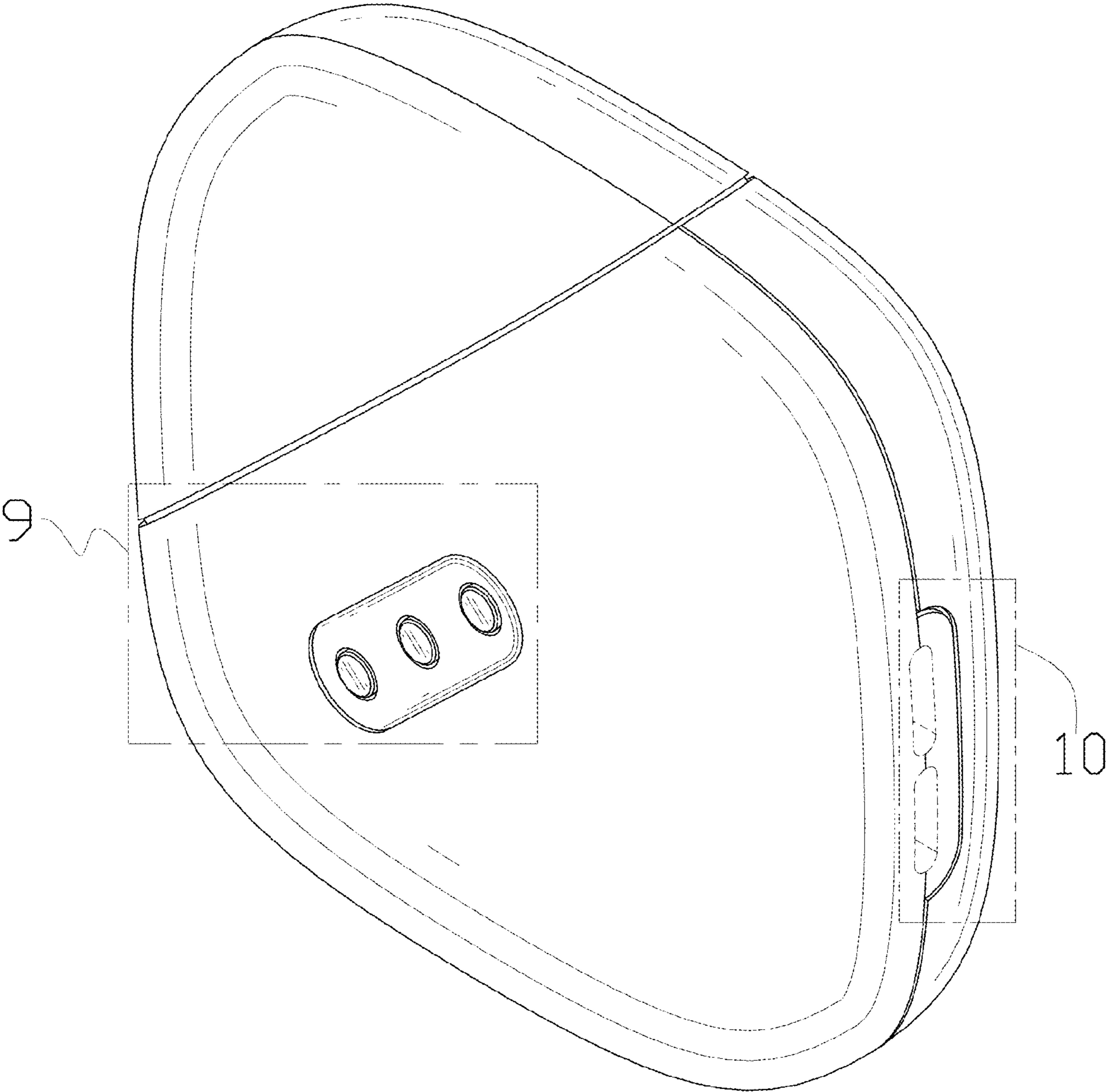


FIG. 1

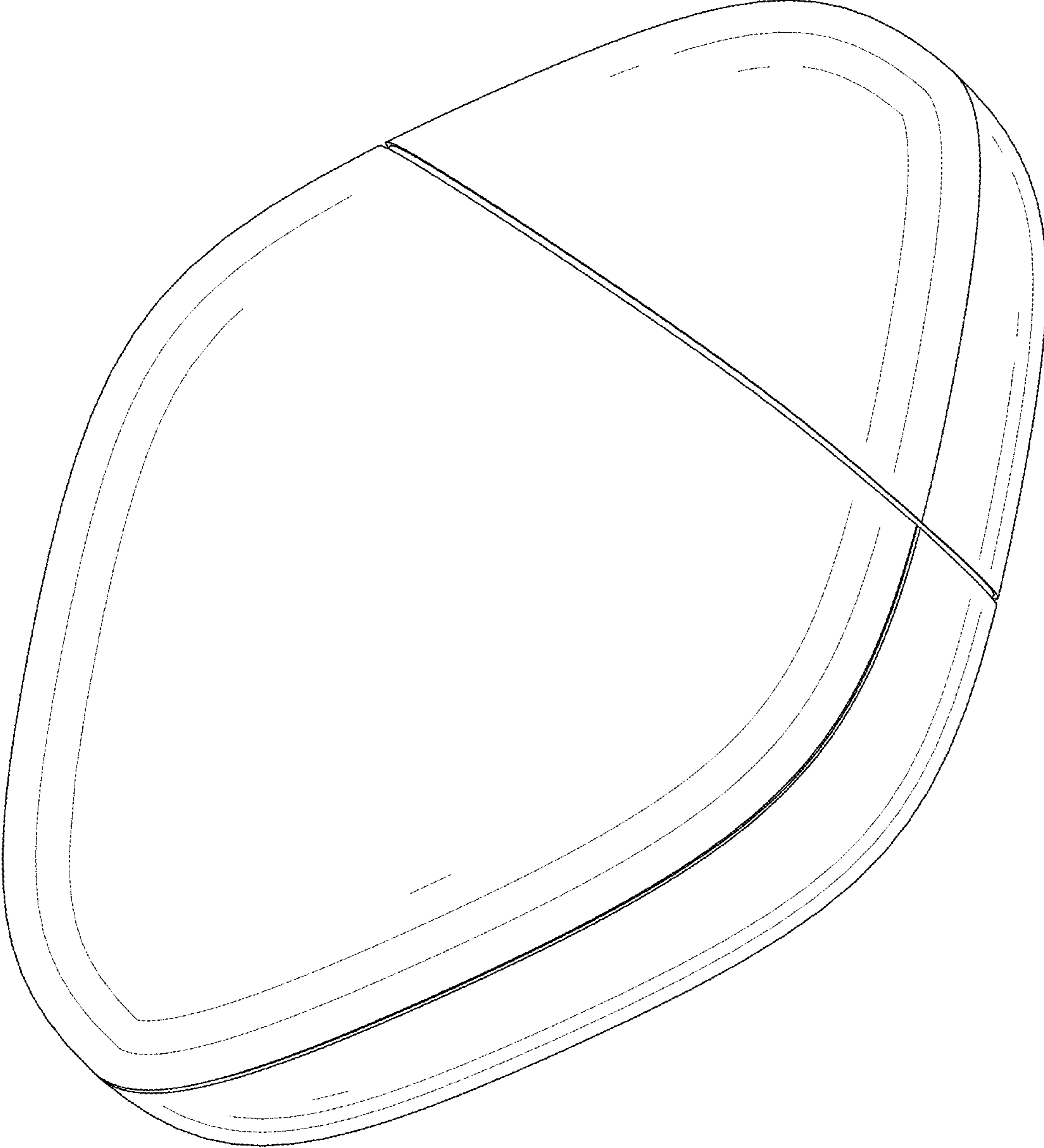


FIG. 2

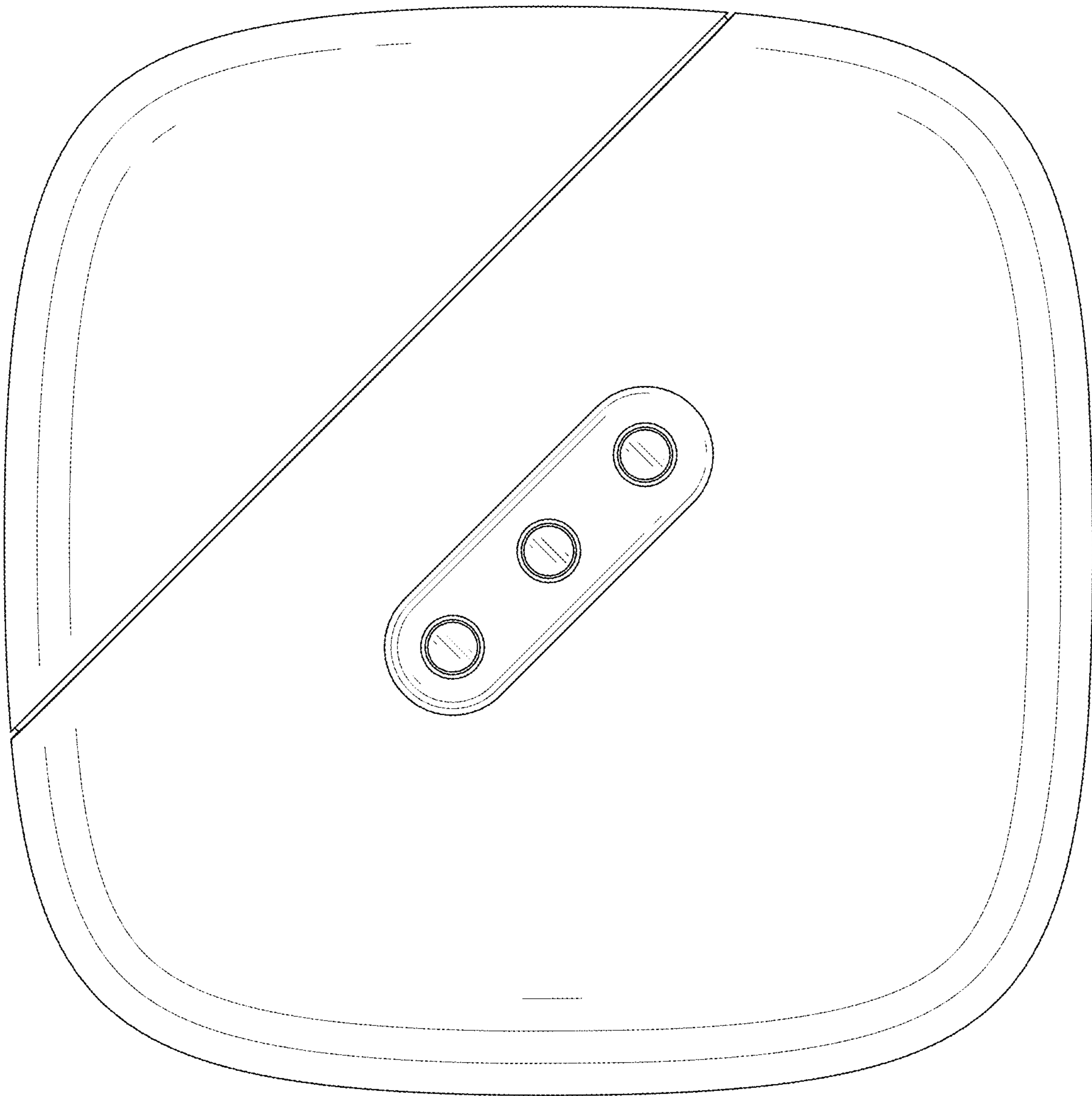


FIG. 3

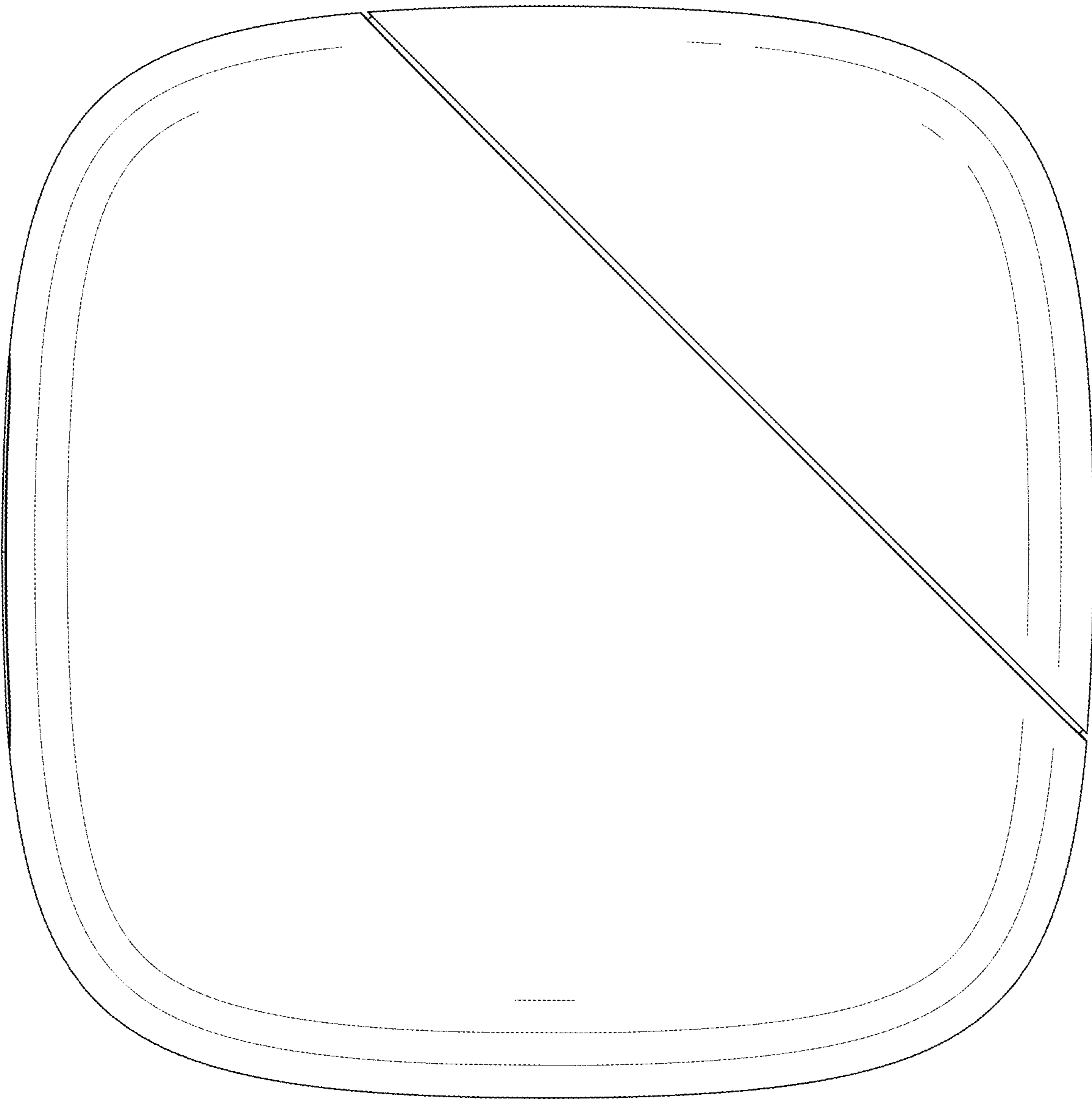


FIG. 4

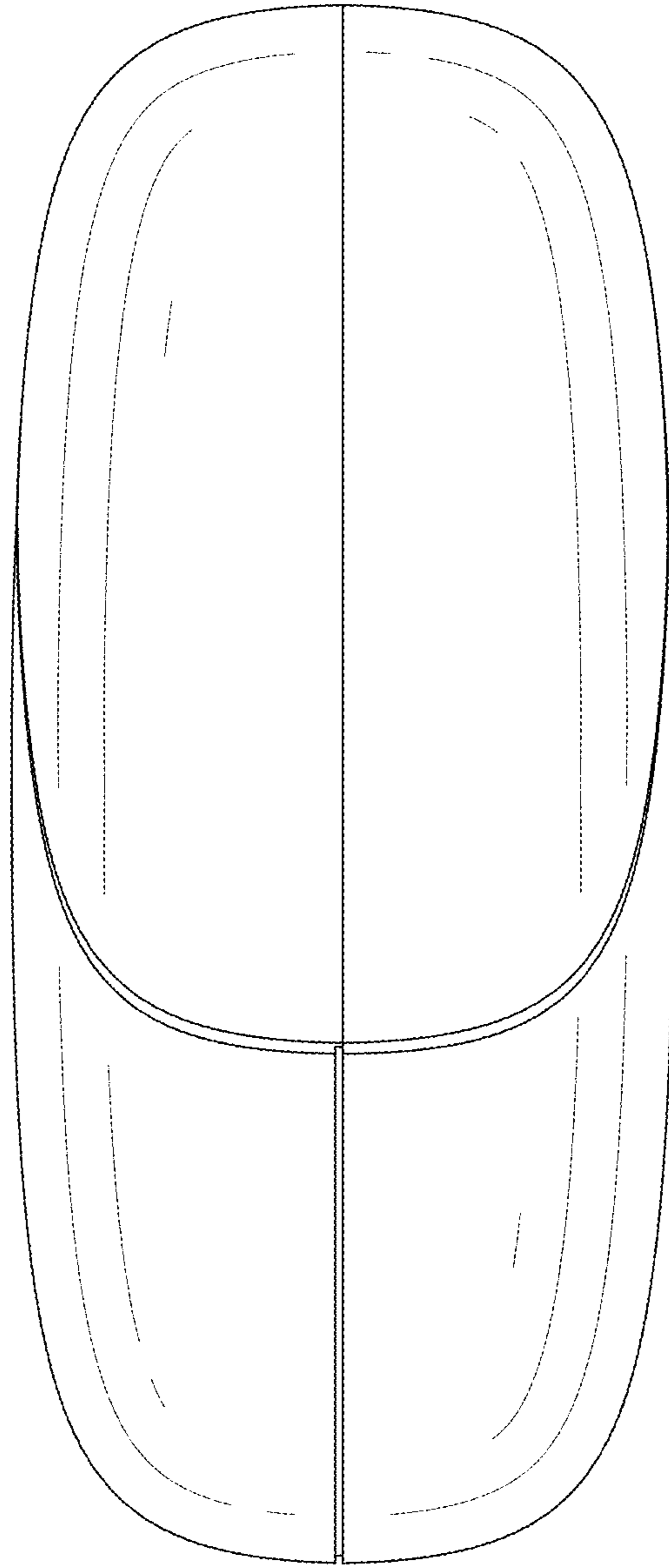


FIG. 5

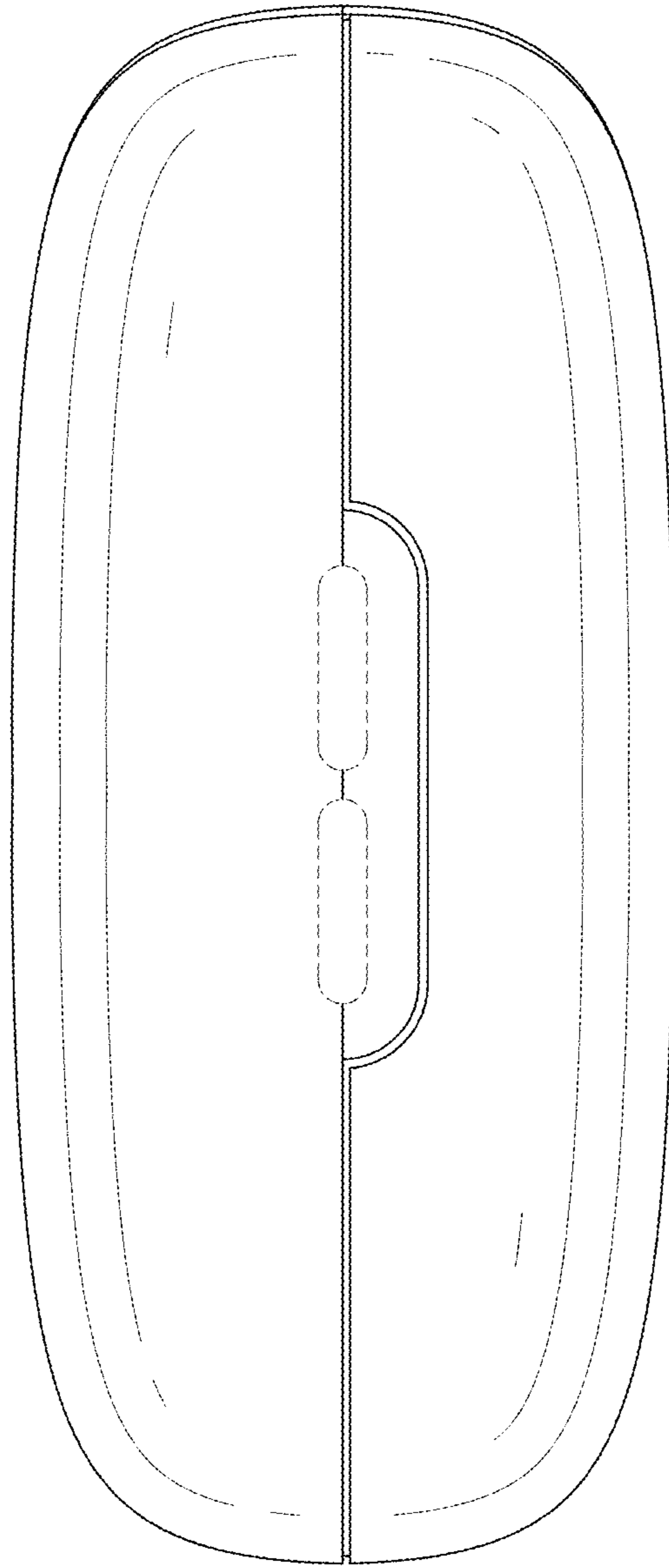


FIG. 6

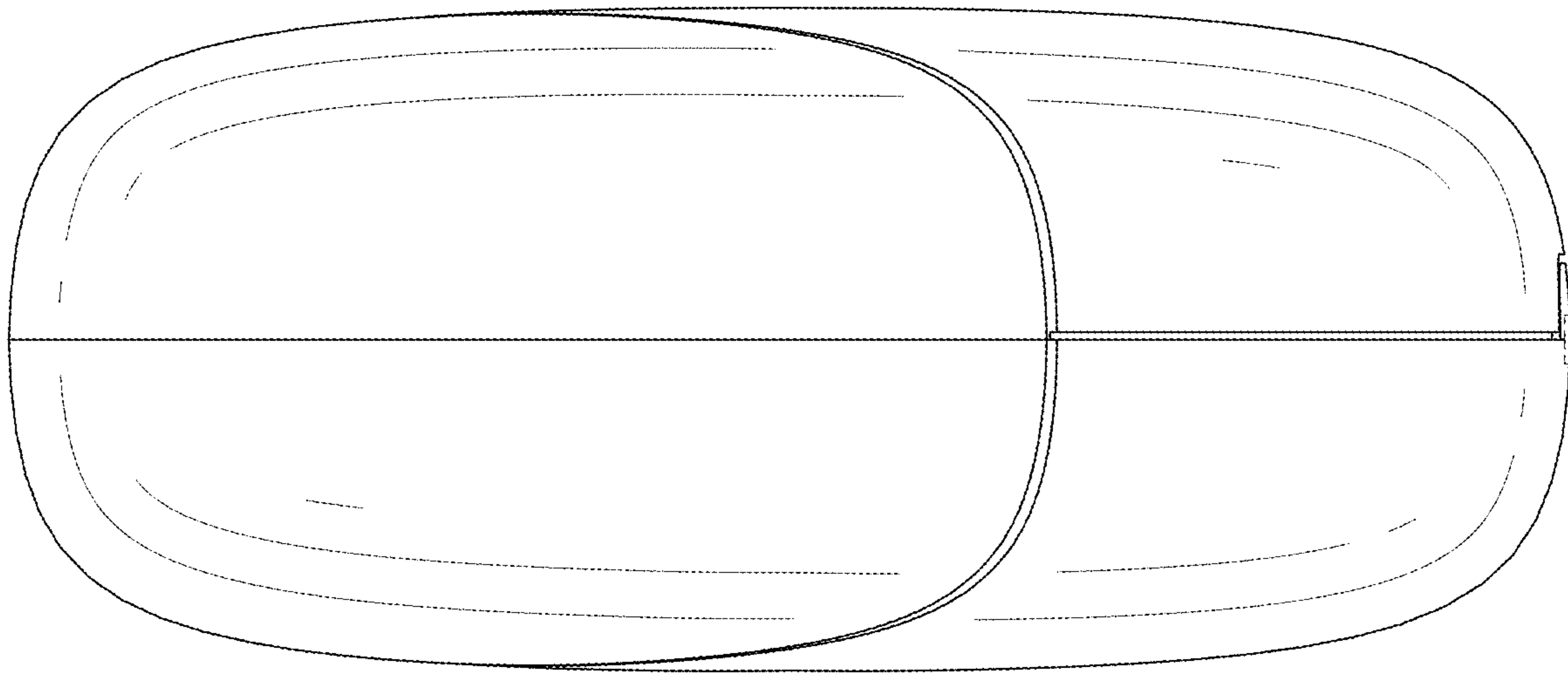


FIG. 7

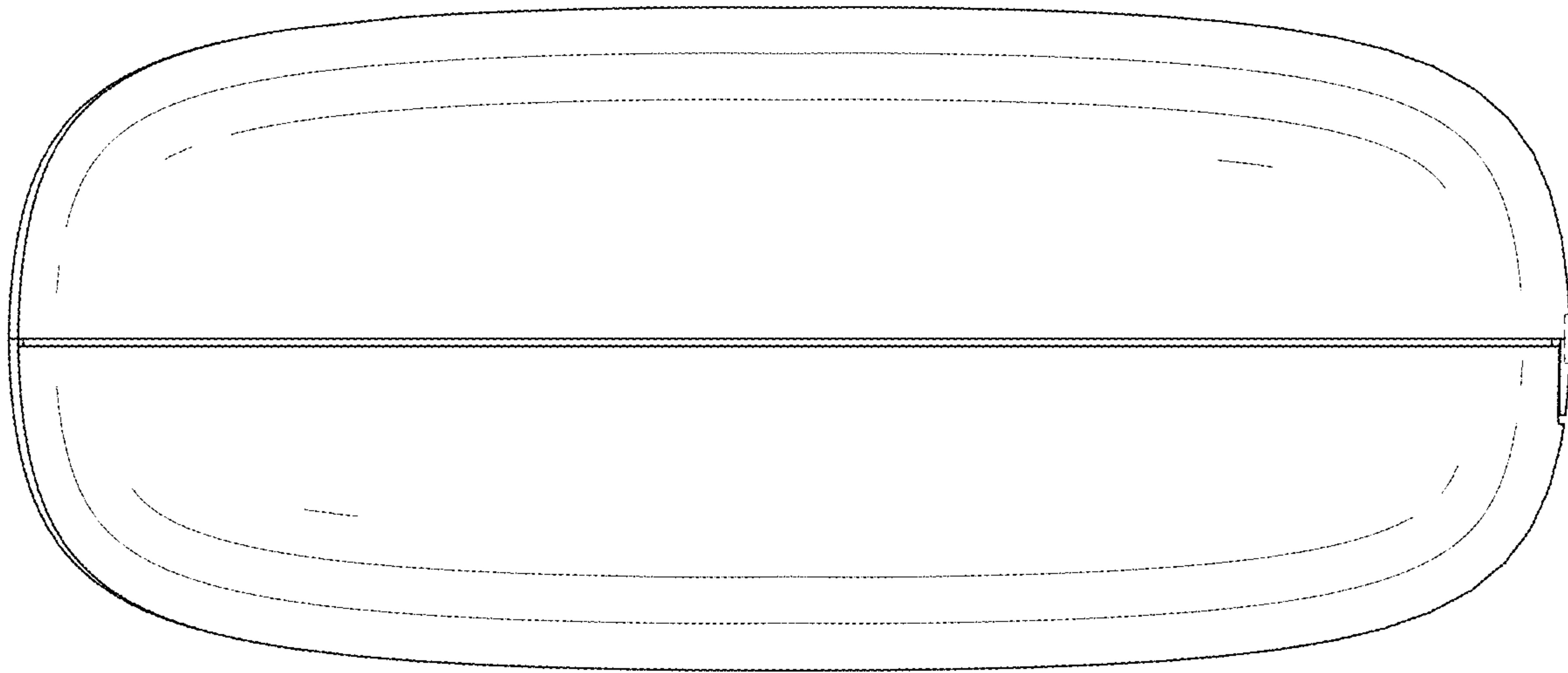


FIG. 8

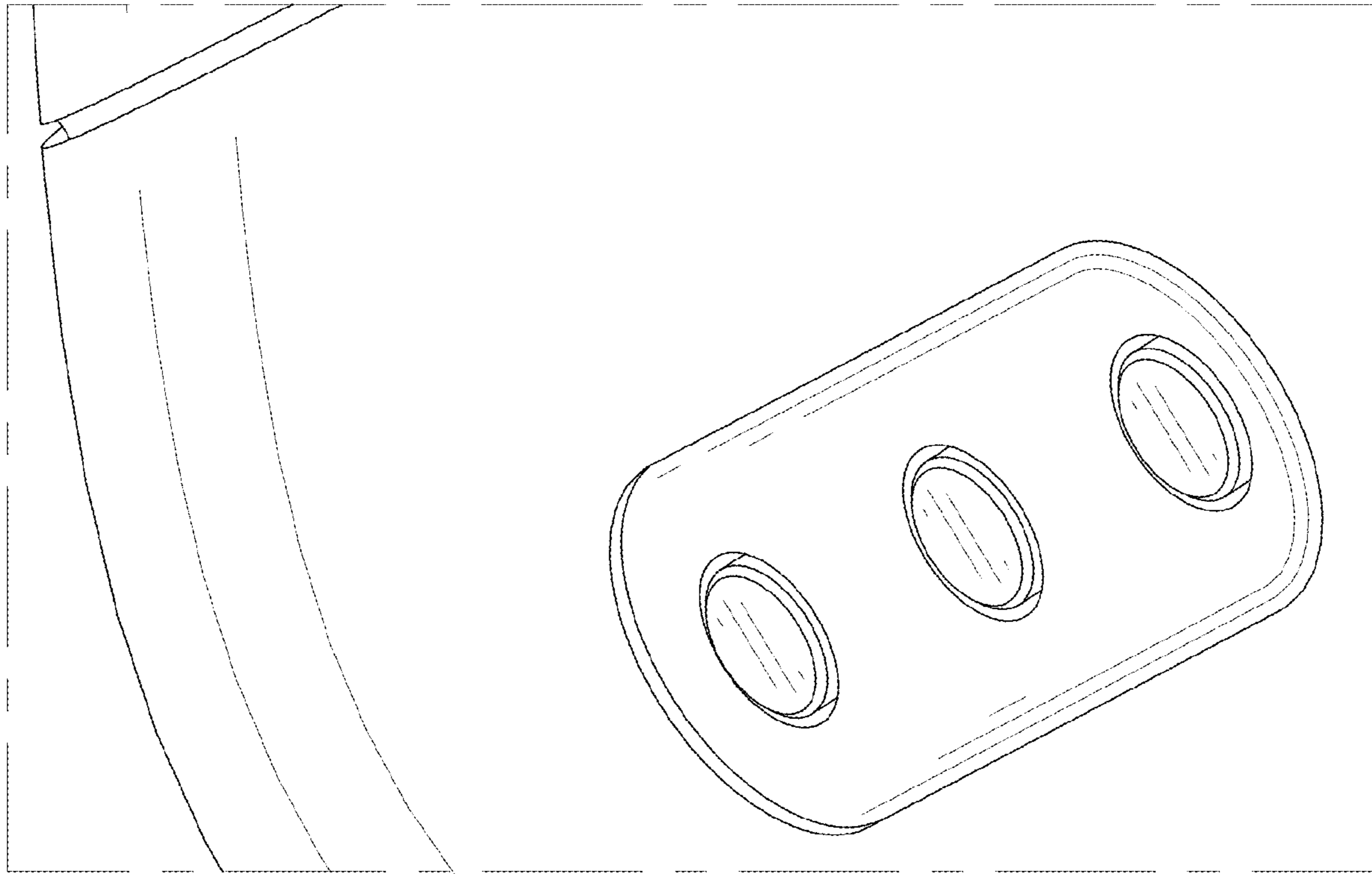


FIG. 9

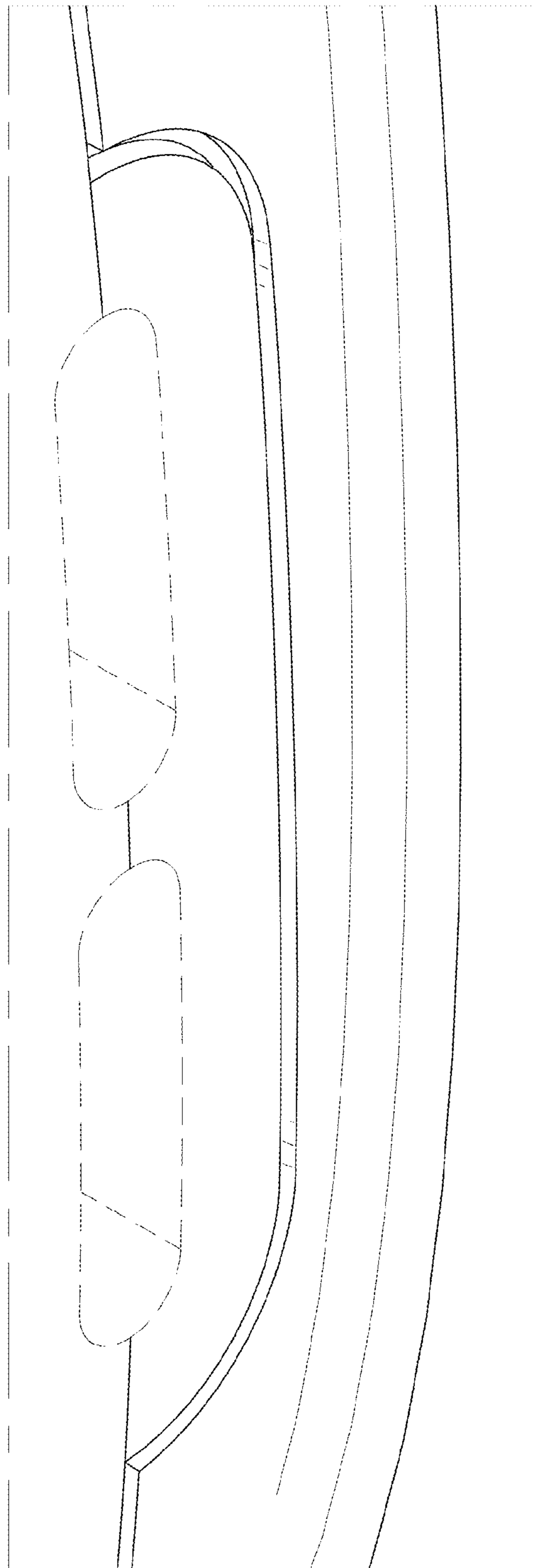


FIG. 10