



US00D882438S

(12) **United States Design Patent**
Cai

(10) **Patent No.:** **US D882,438 S**

(45) **Date of Patent:** **** Apr. 28, 2020**

(54) **NIGHT VISION CALIBRATOR**

(71) Applicant: **AUTEL INTELLIGENT TECHNOLOGY CORP., LTD.**,
Shenzhen, Guangdong (CN)

(72) Inventor: **Zhenyu Cai**, Guangdong (CN)

(73) Assignee: **AUTEL INTELLIGENT TECHNOLOGY CORP., LTD.**,
Shenzhen (CN)

(**) Term: **15 Years**

(21) Appl. No.: **29/664,740**

(22) Filed: **Sep. 27, 2018**

(51) **LOC (12) Cl.** **10-04**

(52) **U.S. Cl.**
USPC **D10/103**

(58) **Field of Classification Search**
USPC D10/46, 103; D8/349, 354, 363, 376,
D8/380; D20/41; D21/302, 307;
D22/113; D25/42, 43
CPC G01N 21/8986; G01N 21/8851; G01N
2201/0612

See application file for complete search history.

(56) **References Cited**

U.S. PATENT DOCUMENTS

D485,742 S *	1/2004	Heberle	D8/354
D597,764 S *	8/2009	Topcuoglu	D20/10
D662,992 S *	7/2012	Hernandez	D20/19

* cited by examiner

Primary Examiner — Antoine Duval Davis

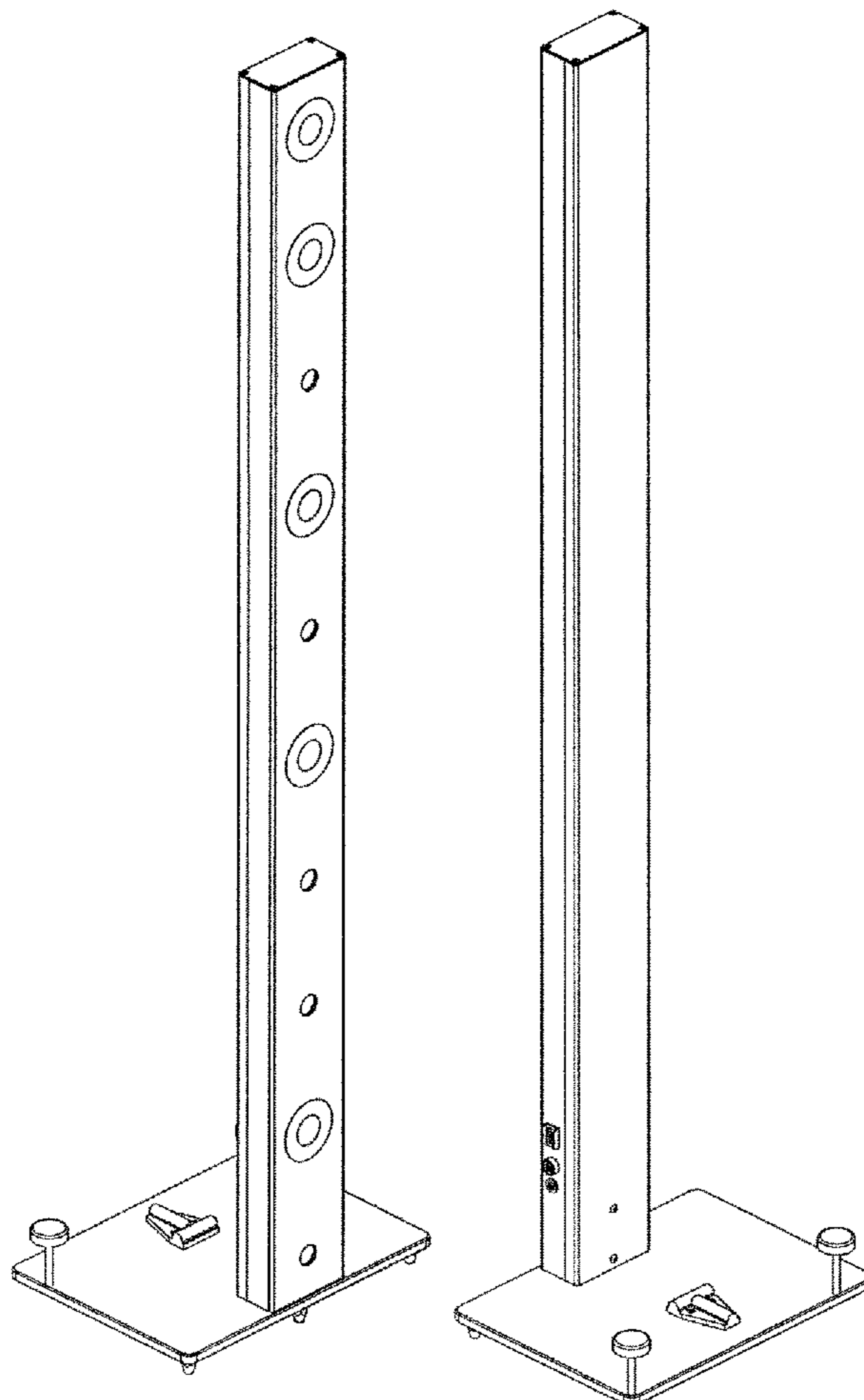
(57) **CLAIM**

The ornamental design for a night vision calibrator, as shown and described.

DESCRIPTION

FIG. 1 is a perspective view of a night vision calibrator showing my new design;
FIG. 2 is another perspective view thereof;
FIG. 3 is a front elevational view thereof;
FIG. 4 is a rear elevational view thereof;
FIG. 5 is a left side elevational view thereof;
FIG. 6 is a right side elevational view thereof;
FIG. 7 is a top plan view thereof; and,
FIG. 8 is a bottom plan view thereof.

1 Claim, 8 Drawing Sheets



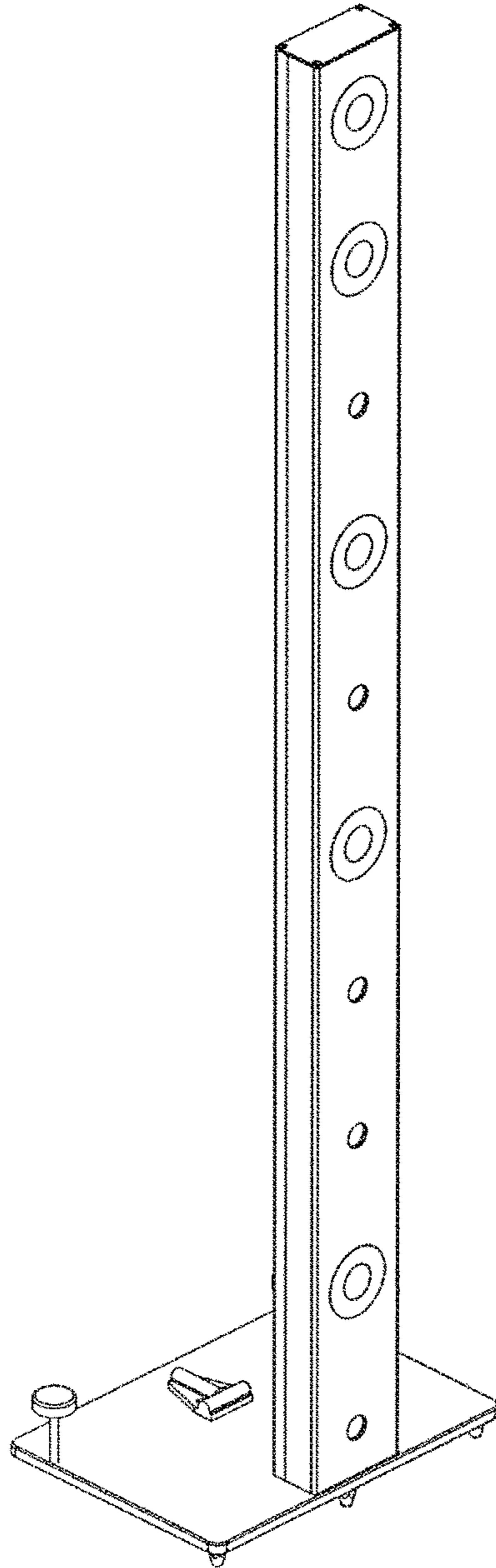


FIG.1

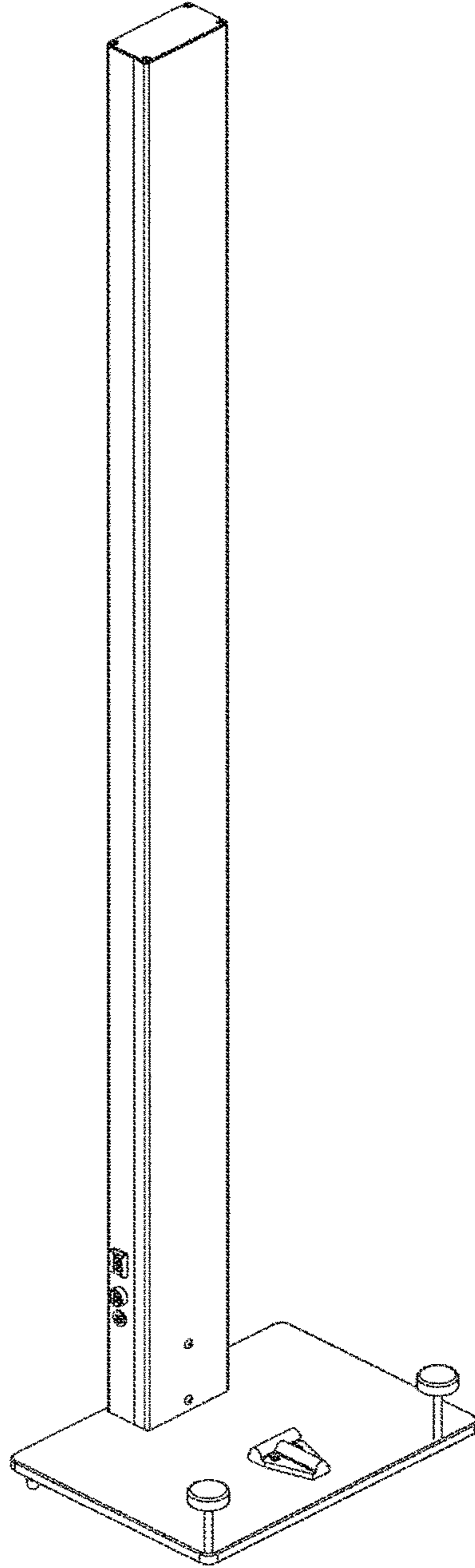


FIG.2

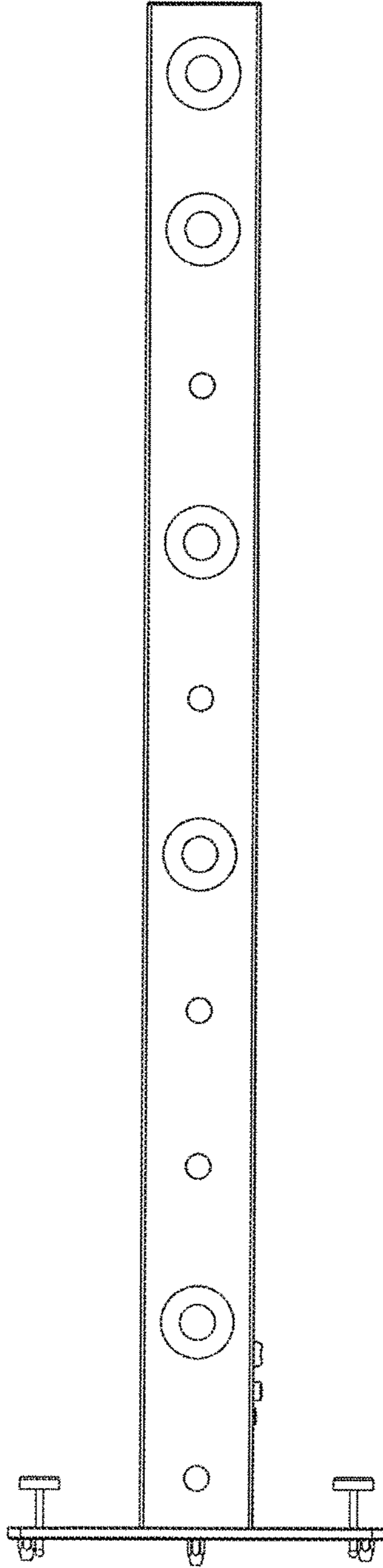


FIG.3

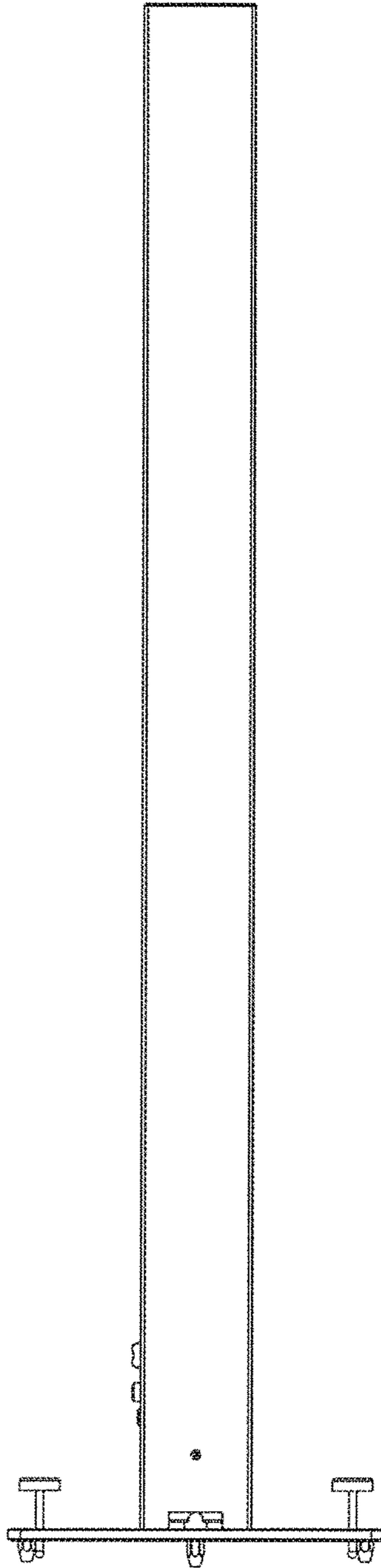


FIG.4

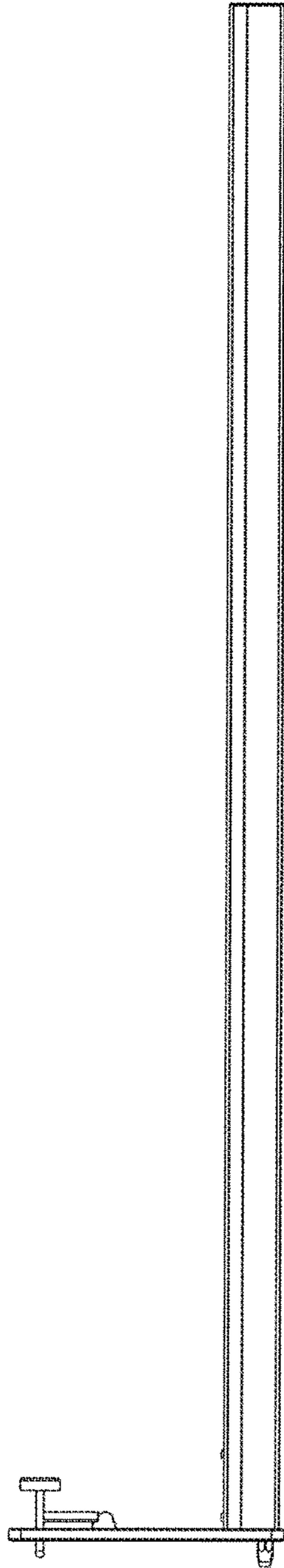


FIG.5

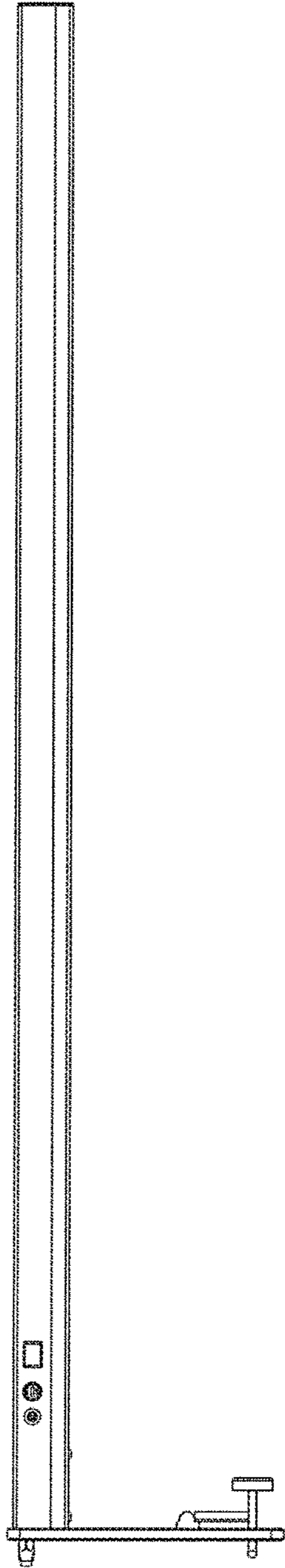


FIG.6

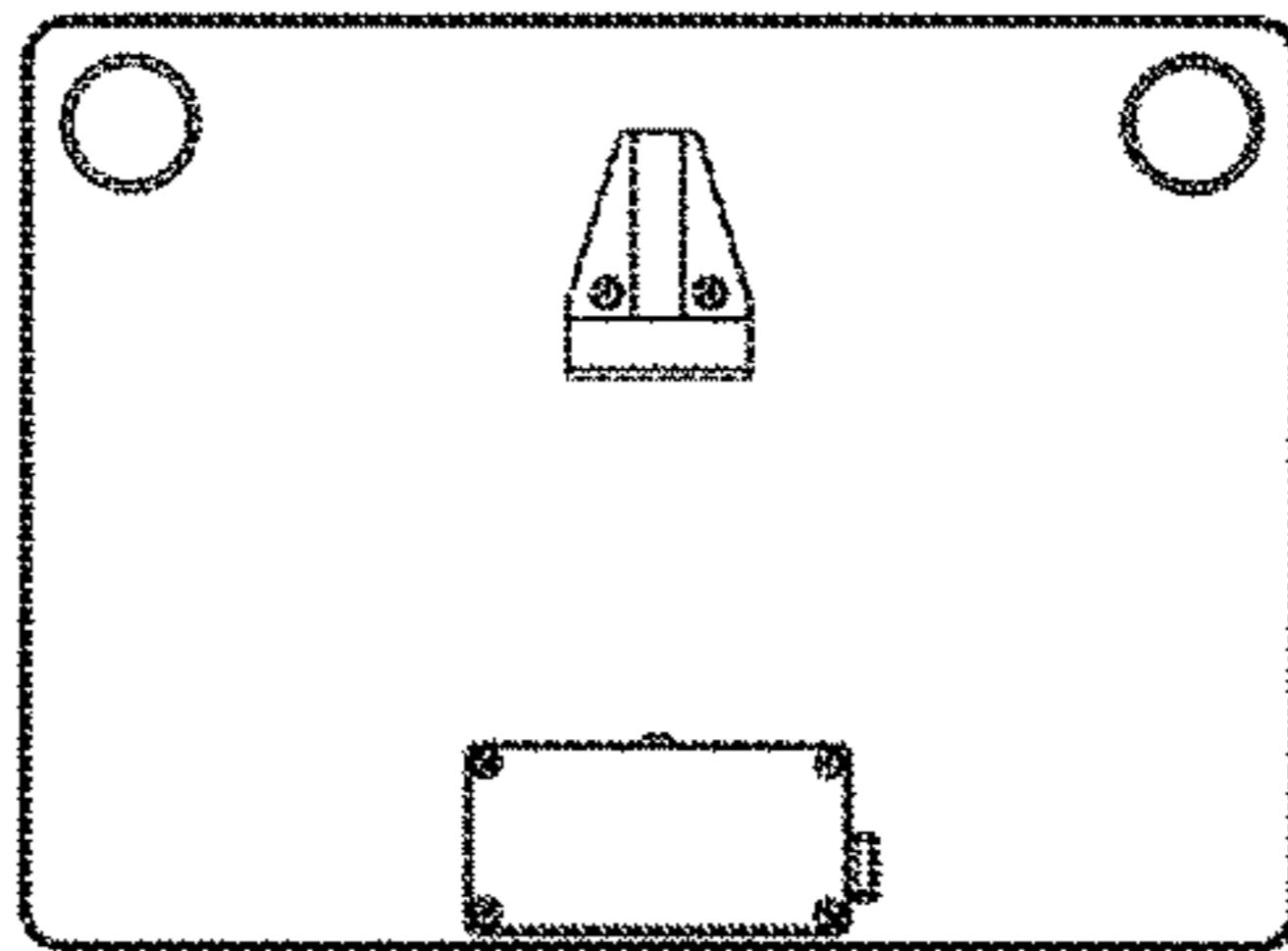


FIG. 7

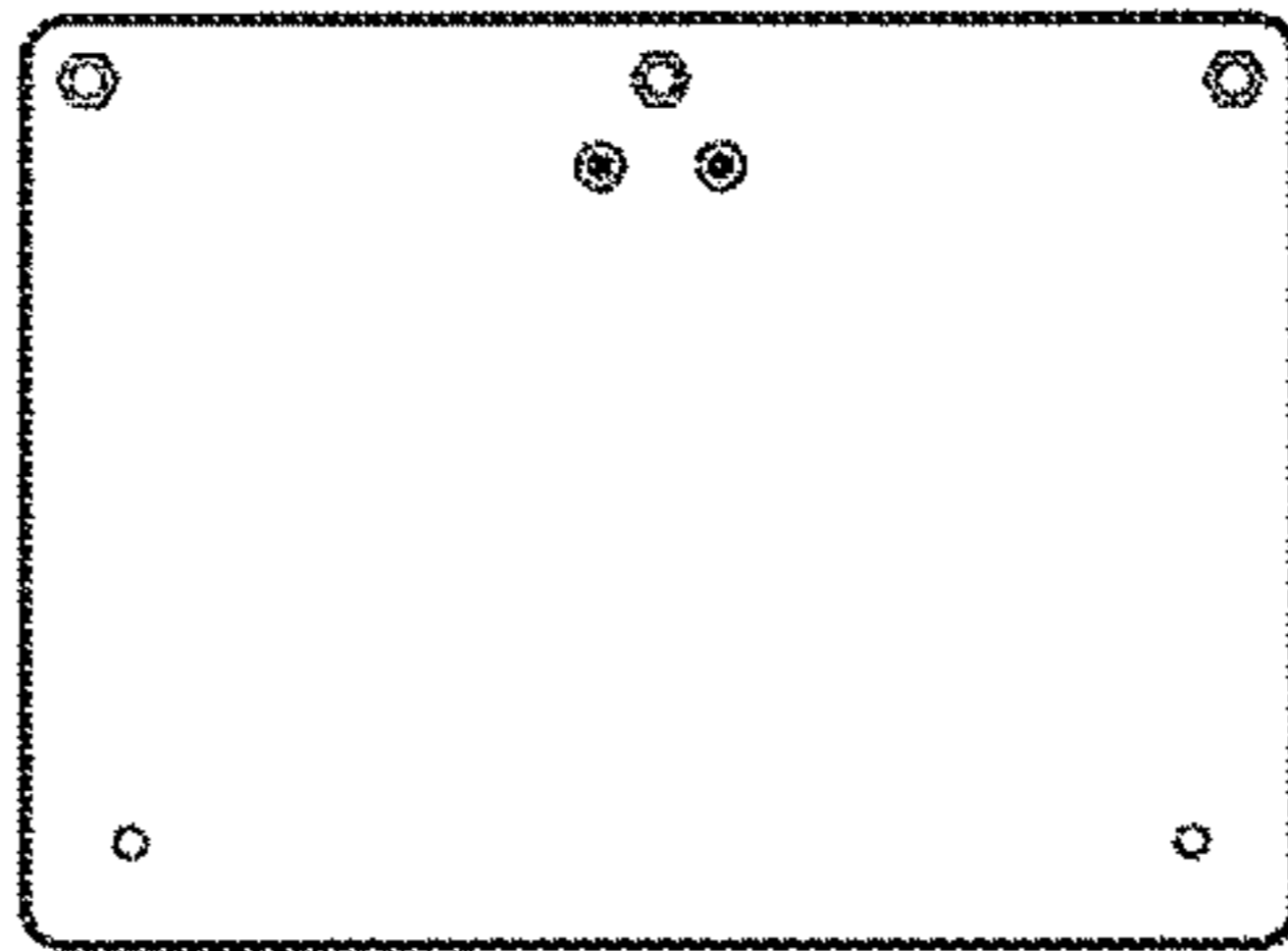


FIG.8