



US00D882437S

(12) **United States Design Patent**
Johnson et al.

(10) **Patent No.:** **US D882,437 S**

(45) **Date of Patent:** **** Apr. 28, 2020**

- (54) **GAUGE NEEDLE**
- (71) Applicant: **CATERPILLAR INC.**, Peoria, IL (US)
- (72) Inventors: **Terril Johnson**, Washington, IL (US);
Joshua Whitmore, Dunlap, IL (US);
Scott Larson, Brimfield, IL (US)
- (73) Assignee: **Caterpillar Inc.**, Peoria, IL (US)
- (**) Term: **15 Years**
- (21) Appl. No.: **29/622,299**
- (22) Filed: **Oct. 16, 2017**
- (51) **LOC (12) Cl.** **10-04**
- (52) **U.S. Cl.**
USPC **D10/103**
- (58) **Field of Classification Search**
USPC D13/184; D10/39, 46, 103, 106, 122,
D10/123, 127, 98, 125, 126, 192
CPC G01R 5/16; G01R 5/00
See application file for complete search history.

- D411,963 S * 7/1999 Whitley D10/103
- 6,067,867 A * 5/2000 Glover G01R 5/16
73/866.3
- D462,913 S * 9/2002 Brisbee D10/102
- D546,723 S * 7/2007 Saito D10/102
- 7,373,898 B1 * 5/2008 Tenka G01D 11/28
116/328
- D775,034 S * 12/2016 Cook D10/102
- 9,914,360 B2 * 3/2018 Becker B60K 37/02

* cited by examiner

Primary Examiner — Keli L Hill
Assistant Examiner — Harold E Blackwell, II
(74) *Attorney, Agent, or Firm* — Finnegan, Henderson,
Farabow, Garrett & Dunner, LLP

(57) **CLAIM**

The ornamental design for a gauge needle, as shown and described.

DESCRIPTION

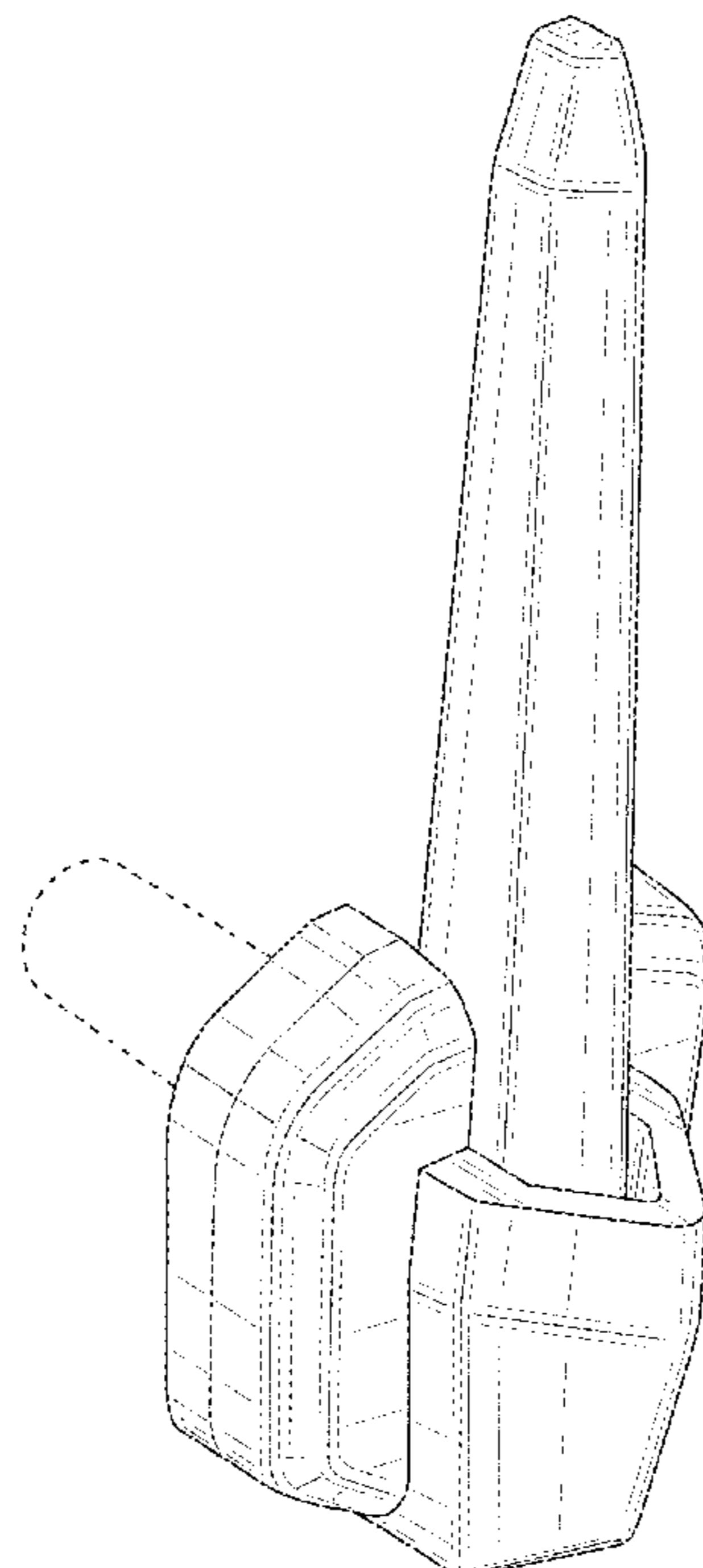
FIG. 1 is a front, left, top perspective view of a gauge needle showing our new design;
FIG. 2 is a front, right, bottom perspective view thereof;
FIG. 3 is a front elevation view thereof;
FIG. 4 is a rear elevation view thereof;
FIG. 5 is a left side view thereof;
FIG. 6 is a right side view thereof;
FIG. 7 is a top plan view thereof;
FIG. 8 is a bottom plan view thereof; and,
FIG. 9 is a front elevation view thereof with a display screen and gauge, wherein the display screen and gauge form no part of the claimed design.
The broken lines shown in the drawings depict portions of the display screen and gauge that form no part of the claimed design.

(56) **References Cited**

U.S. PATENT DOCUMENTS

- 3,142,148 A * 7/1964 Morgan G04B 45/0061
368/238
- 4,723,504 A * 2/1988 Griffin G01D 13/22
116/328
- 4,906,977 A * 3/1990 Huey-Jeng G01L 19/12
137/557
- D310,790 S * 9/1990 Reilly D10/103
- 5,003,914 A * 4/1991 Mayer B65D 15/04
116/288
- 5,907,101 A * 5/1999 Polti F16J 13/24
215/228

1 Claim, 9 Drawing Sheets



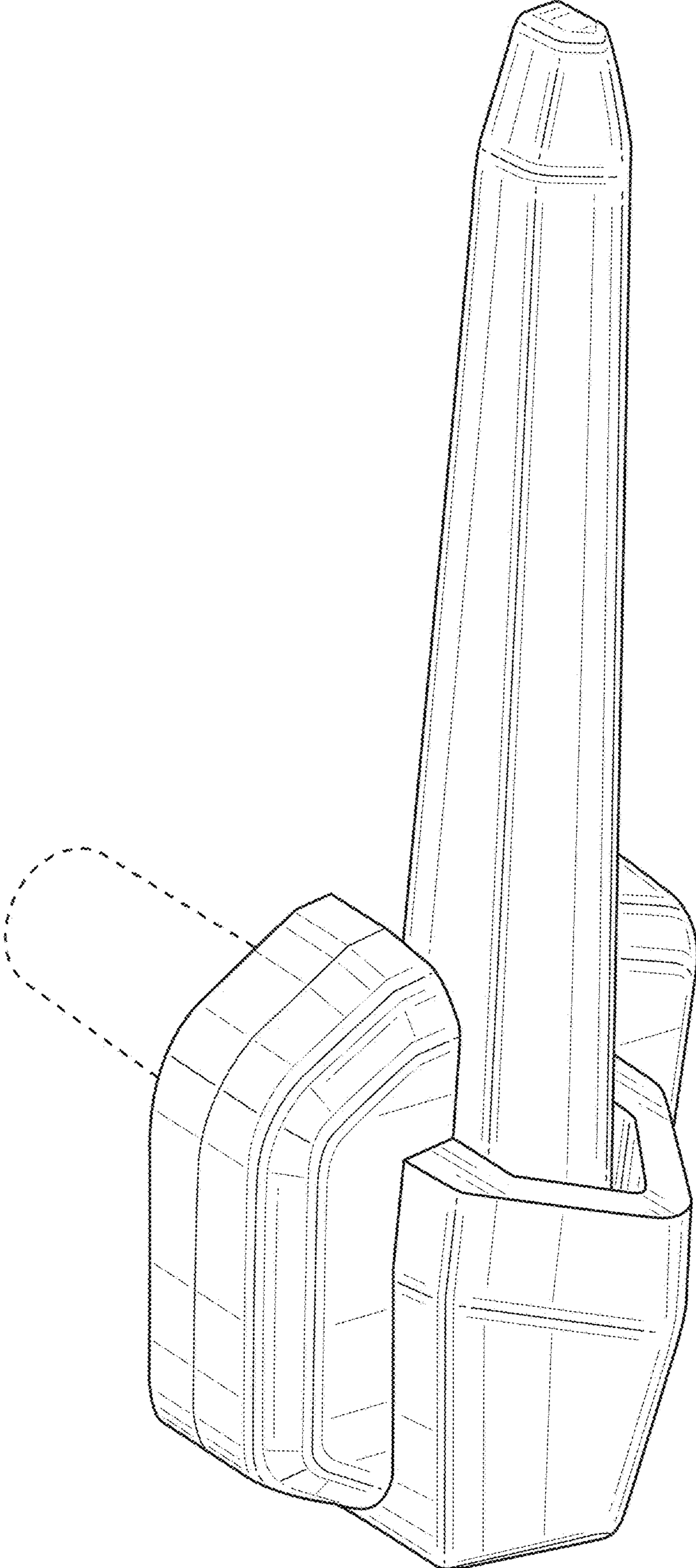


FIG. 1

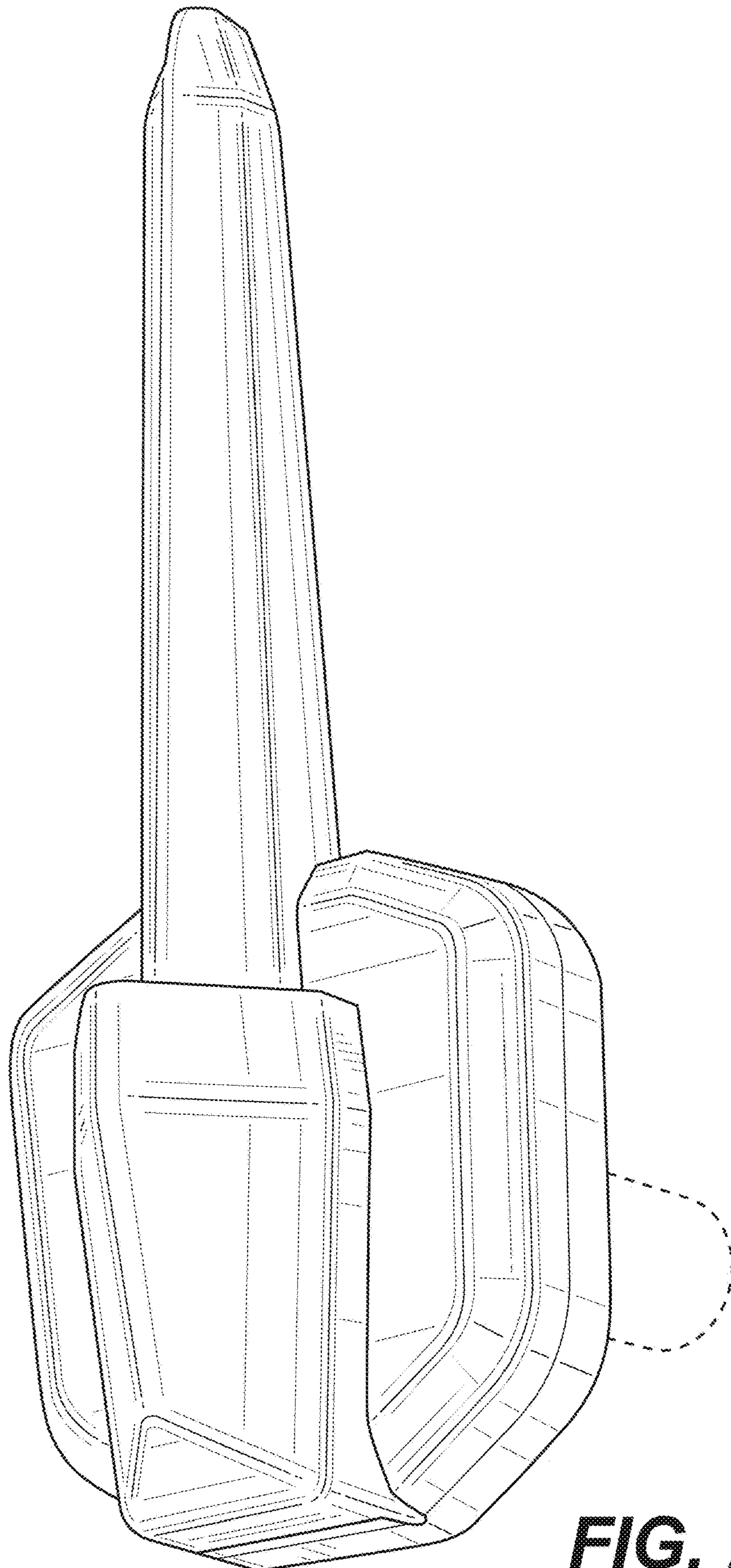


FIG. 2

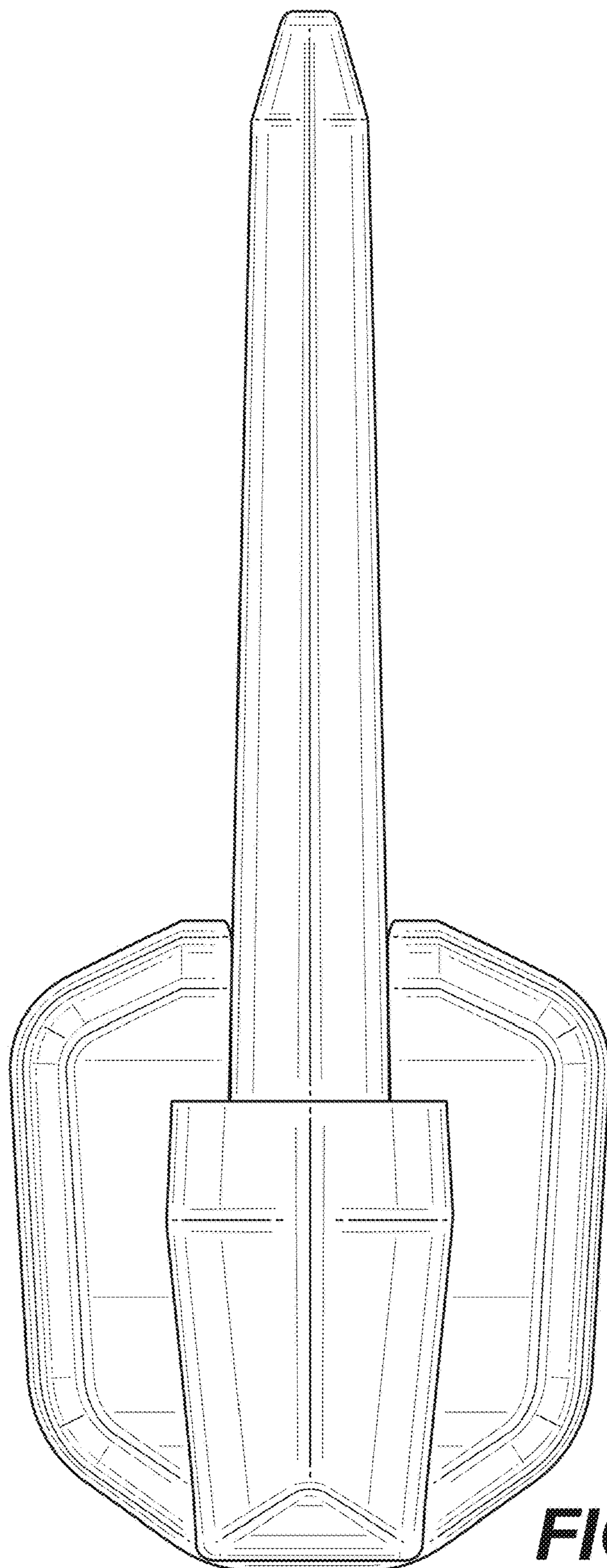


FIG. 3

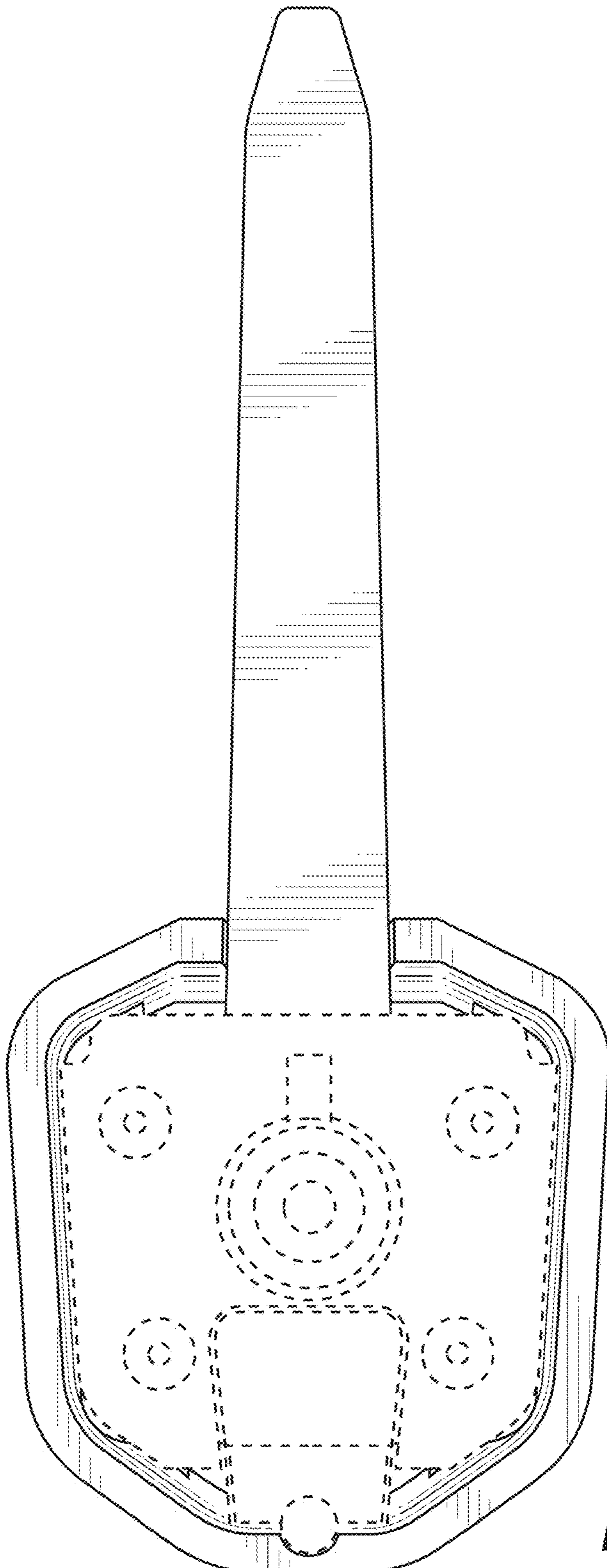


FIG. 4

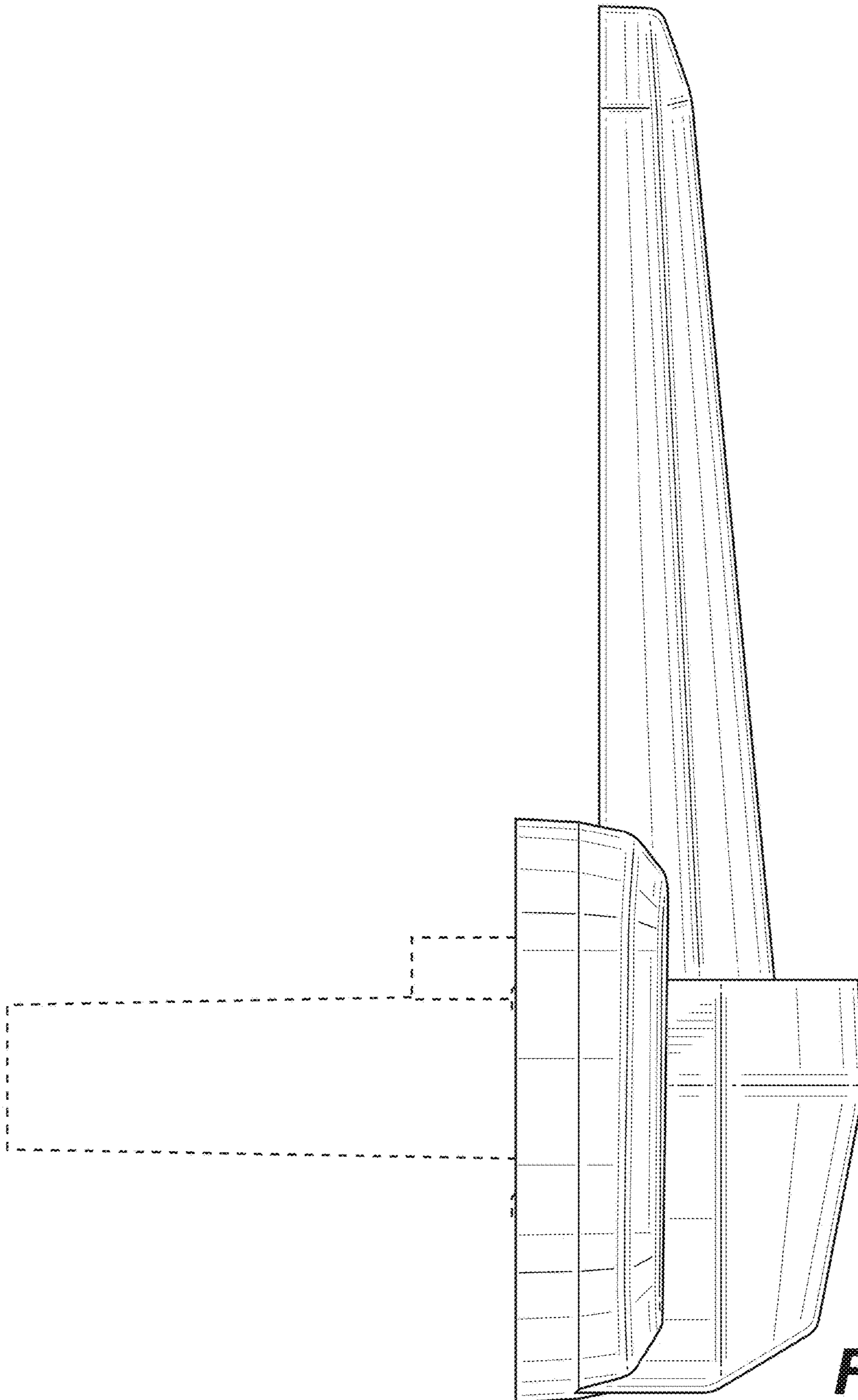


FIG. 5

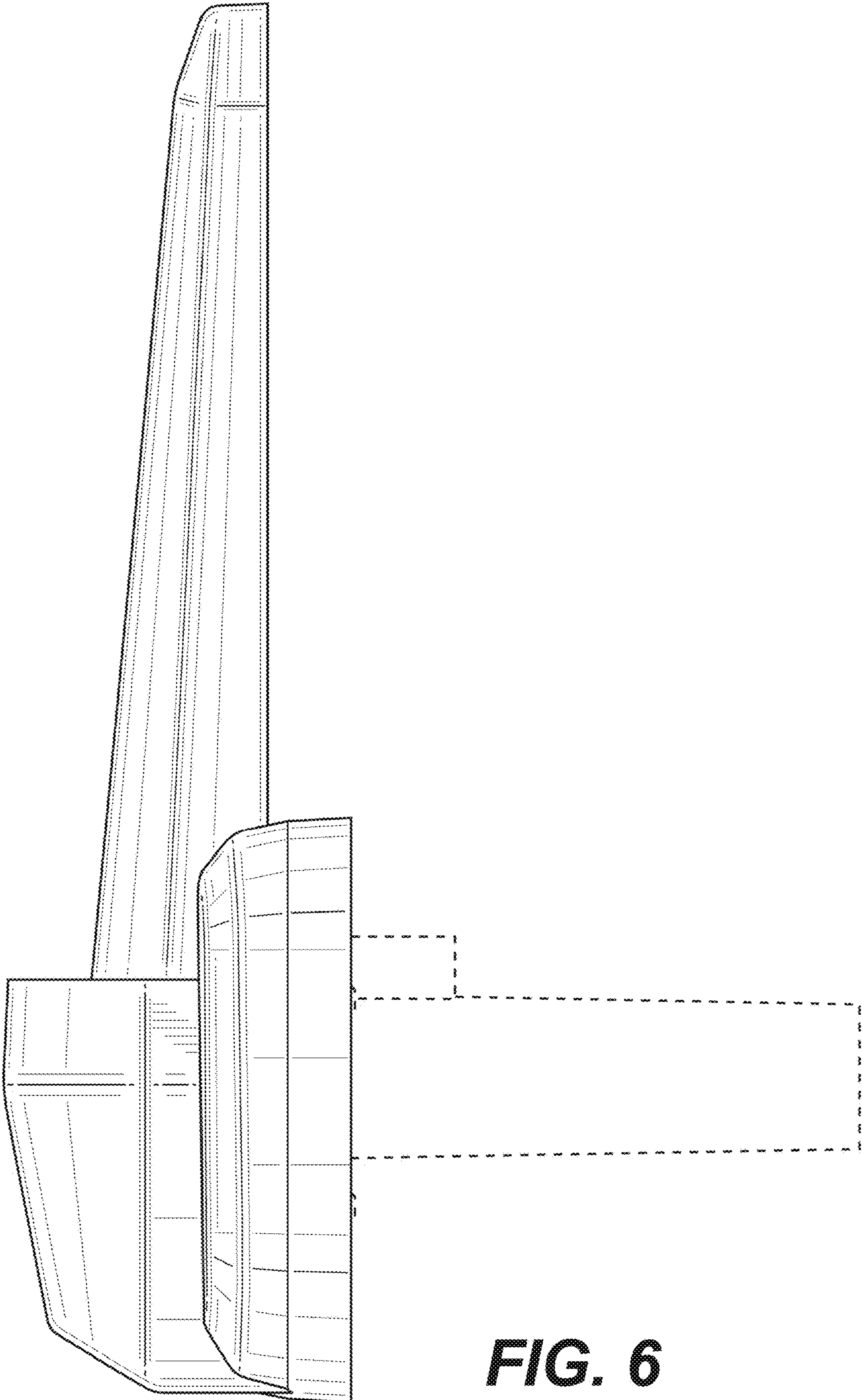


FIG. 6

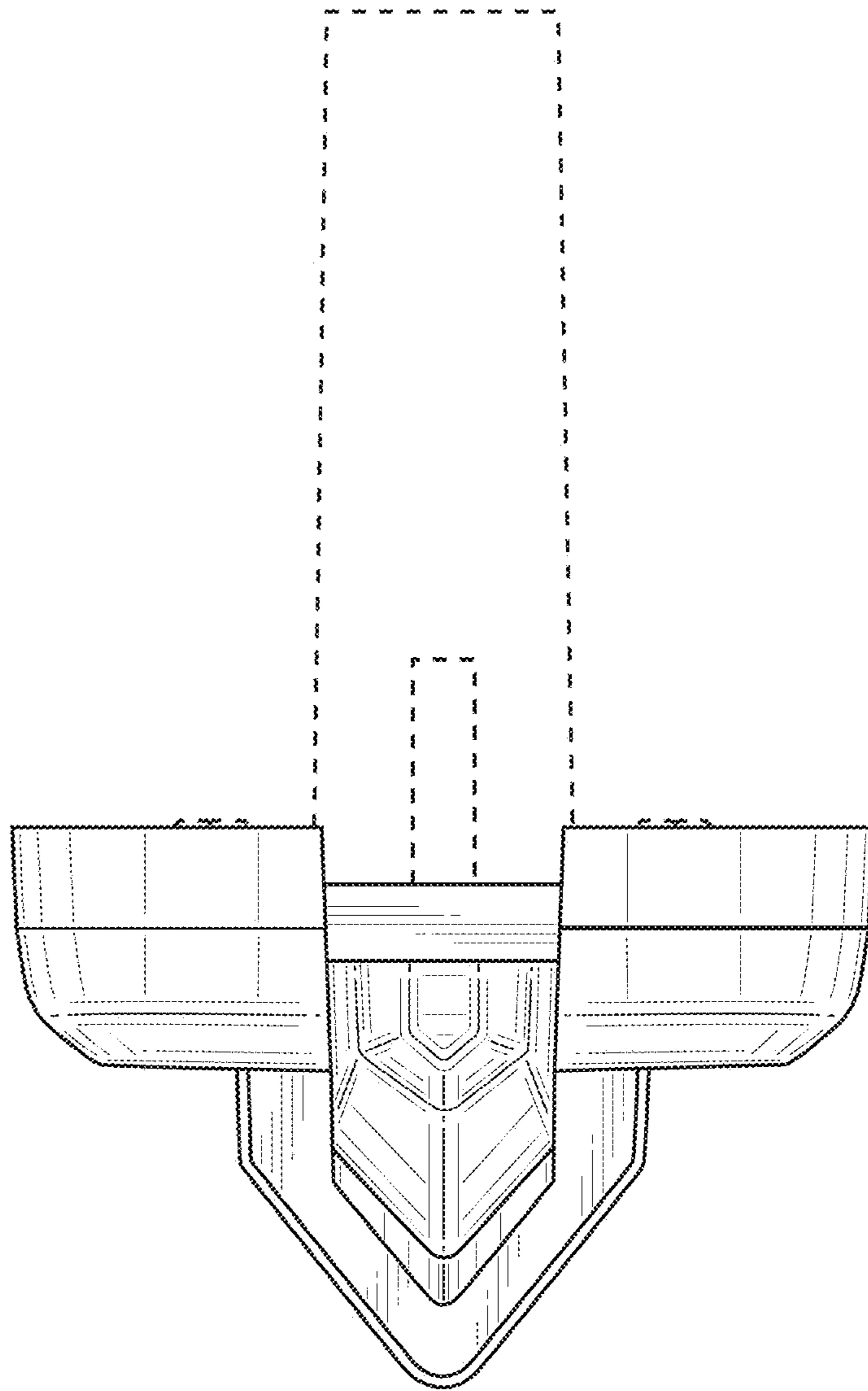


FIG. 7

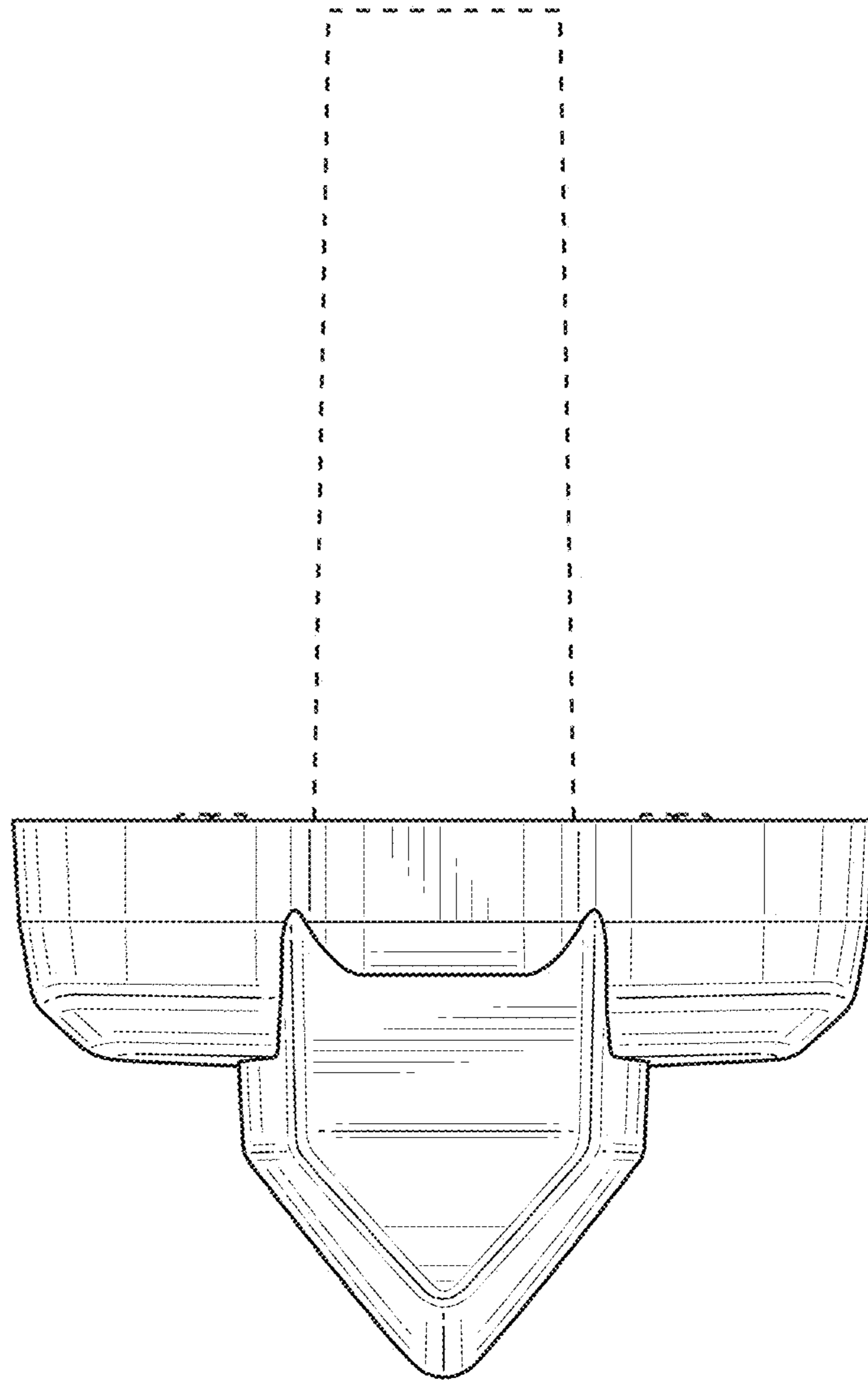


FIG. 8

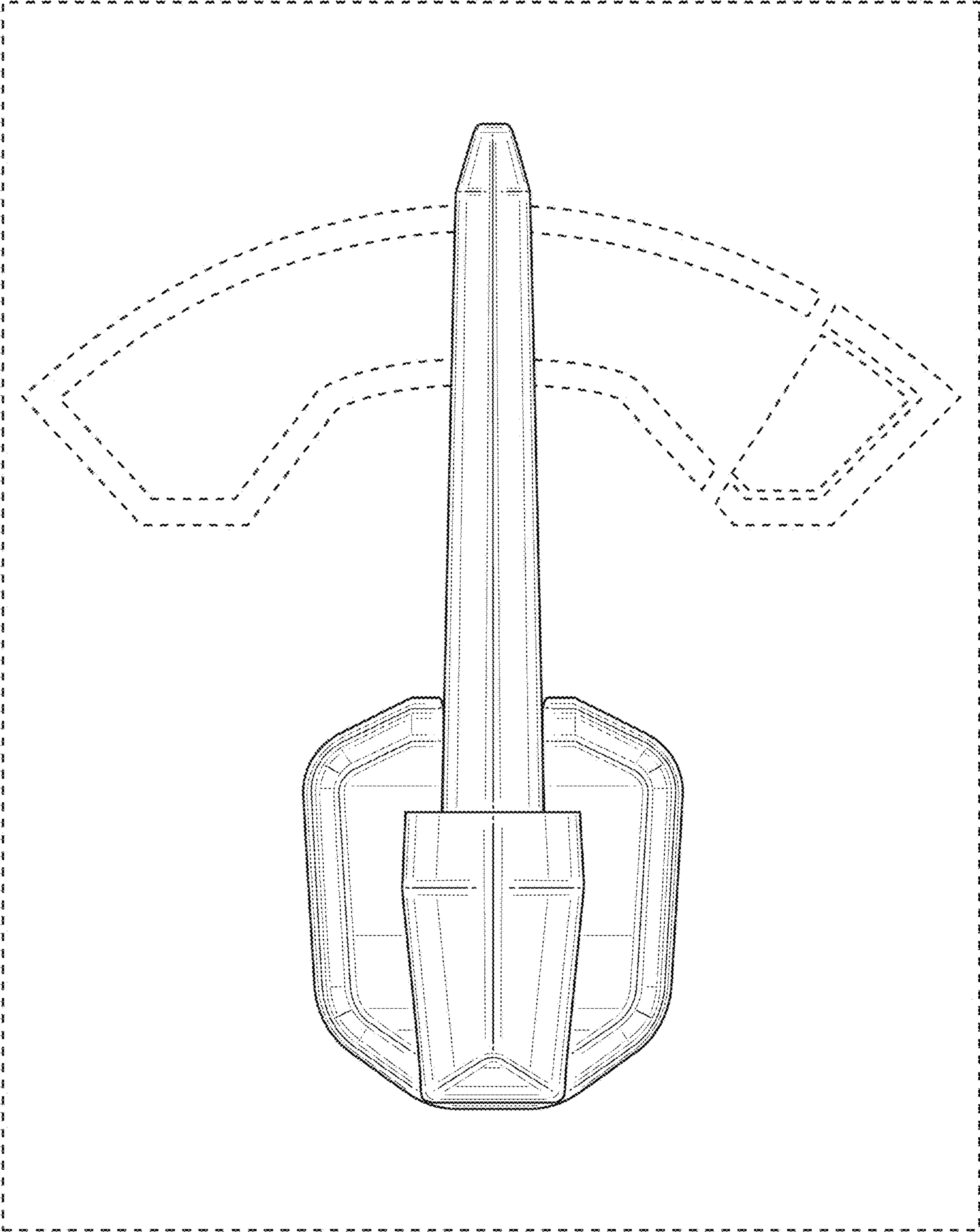


FIG. 9