



US00D882436S

(12) **United States Design Patent**
Fraze et al.

(10) **Patent No.:** **US D882,436 S**
(45) **Date of Patent:** **** Apr. 28, 2020**

(54) **GAS METER**

10,197,432 B2 * 2/2019 Mo G01F 23/363

(71) Applicant: **Sensus Spectrum, LLC**, Morrisville, NC (US)

* cited by examiner

(72) Inventors: **Eric Fraze**, Holly Springs, NC (US);
Kevin Long, DuBois, PA (US);
Benjamin John Sokol, Carrboro, NC (US);
Michael David Brazeau, Raleigh, NC (US);
David Healy, Suffolk (GB);
Hilary Jane Meanwell, Essex (GB);
Charlie Paterson, Cambridgeshire (GB)

Primary Examiner — Antoine Duval Davis

(74) *Attorney, Agent, or Firm* — Stanek Lemon Crouse & Meeks, PA

(73) Assignee: **Sensus Spectrum, LLC**, Morrisville, NC (US)

(57) **CLAIM**

The ornamental design for a gas meter, as shown and described.

(**) Term: **15 Years**

(21) Appl. No.: **29/673,132**

(22) Filed: **Dec. 12, 2018**

DESCRIPTION

(51) **LOC (12) Cl.** **10-04**

(52) **U.S. Cl.**
USPC **D10/99**

(58) **Field of Classification Search**
USPC D10/99
CPC G01F 1/662; G01F 3/225; G01F 15/14
See application file for complete search history.

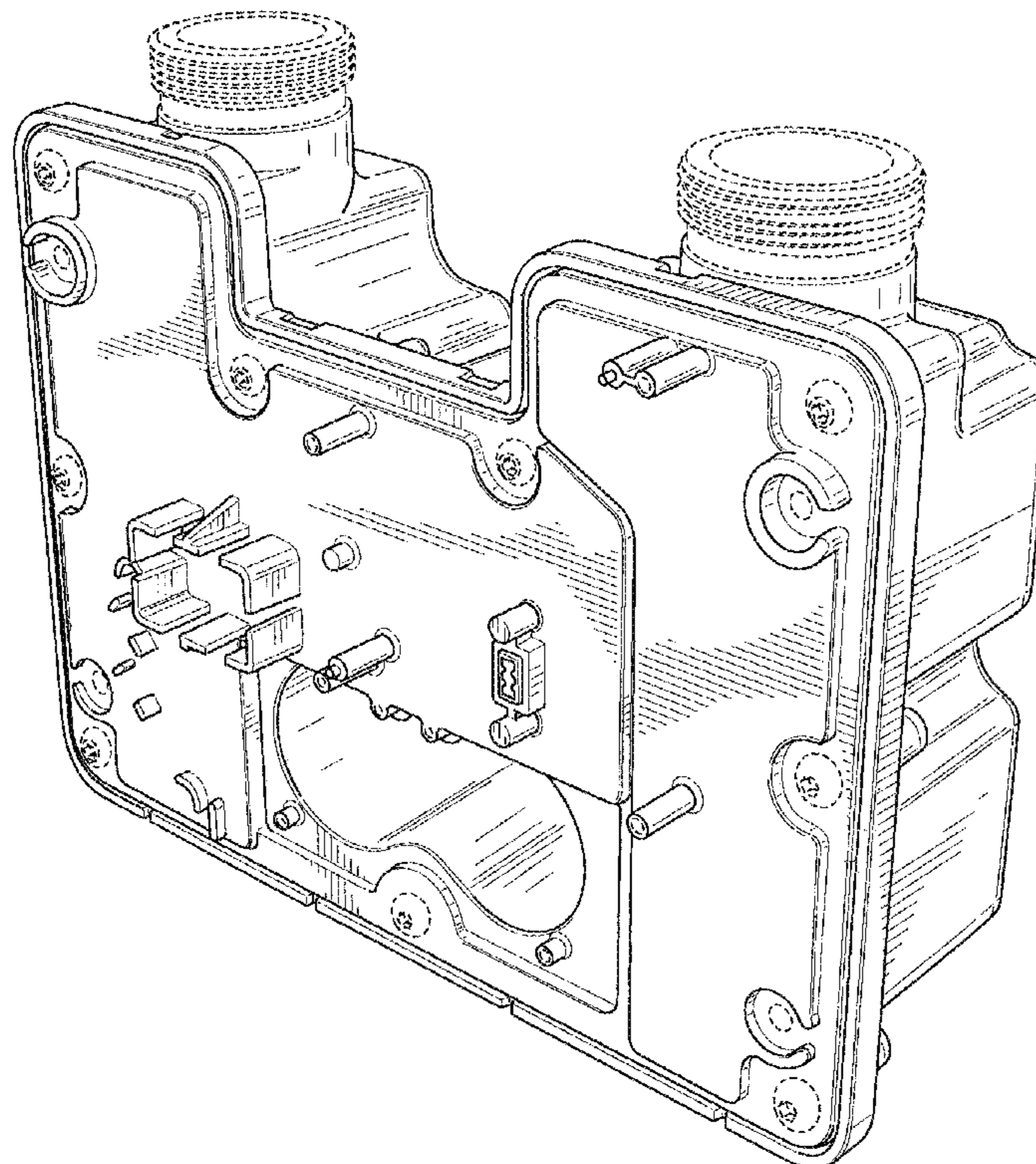
FIG. 1 is an exploded view of a gas meter showing our design;
FIG. 2 is a perspective view thereof;
FIG. 3 is a first side view thereof;
FIG. 4 is second side view thereof, opposite that shown in FIG. 3;
FIG. 5 is another side view thereof, 90 degrees offset from that shown in FIG. 3;
FIG. 6 is another side view thereof, opposite that shown in FIG. 5;
FIG. 7 is a top view of the gas meter; and,
FIG. 8 is a bottom view thereof.
The broken lines shown herein are for illustrative purposes only and form no part of the claimed design.

(56) **References Cited**

U.S. PATENT DOCUMENTS

5,257,538 A *	11/1993	Spendell	G01F 15/005
				73/198
D415,440 S *	10/1999	Beadsworth	G01F 15/005
				D10/99
6,453,757 B1 *	9/2002	Montag	G01F 1/662
				73/861.28

1 Claim, 8 Drawing Sheets



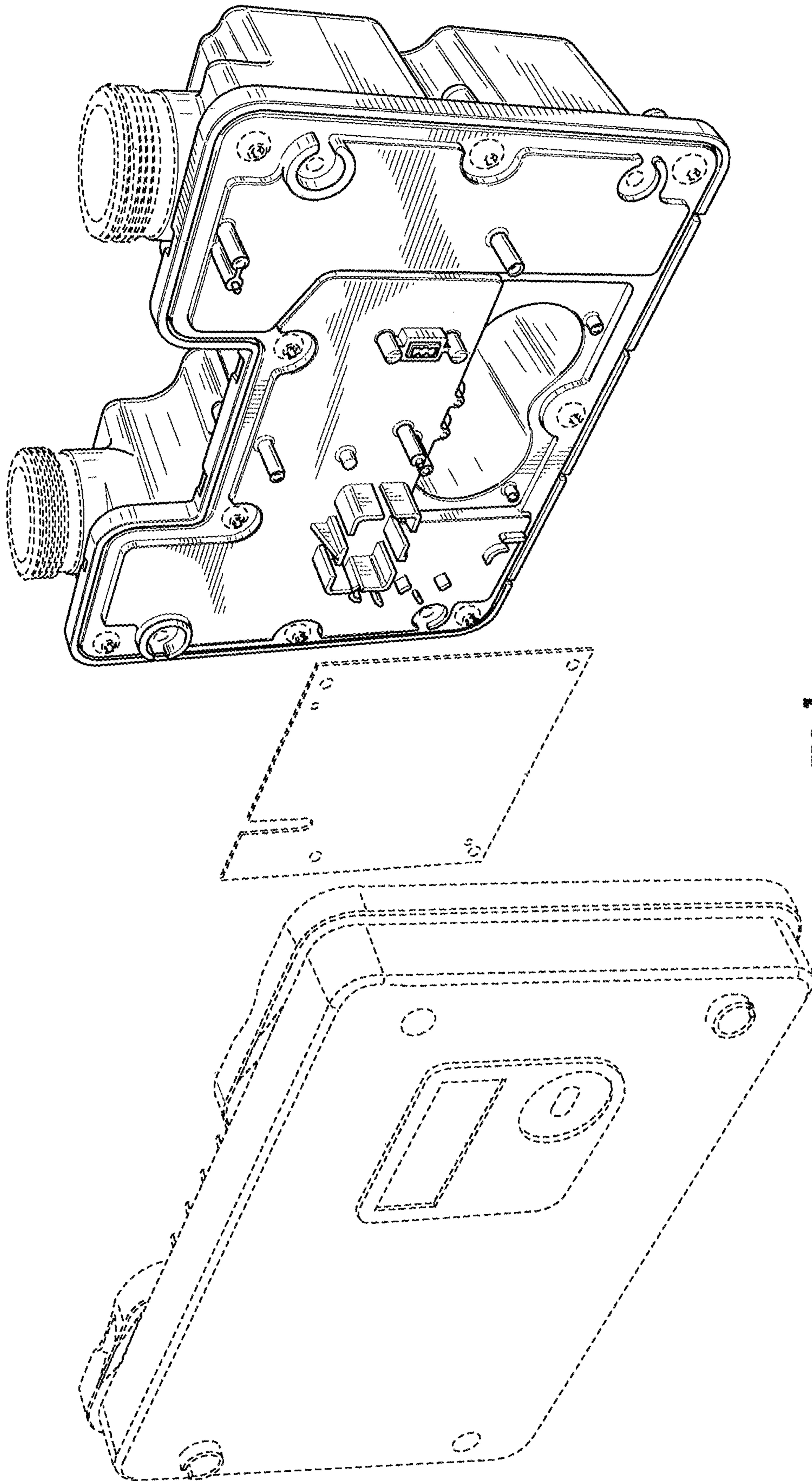


FIG. 1

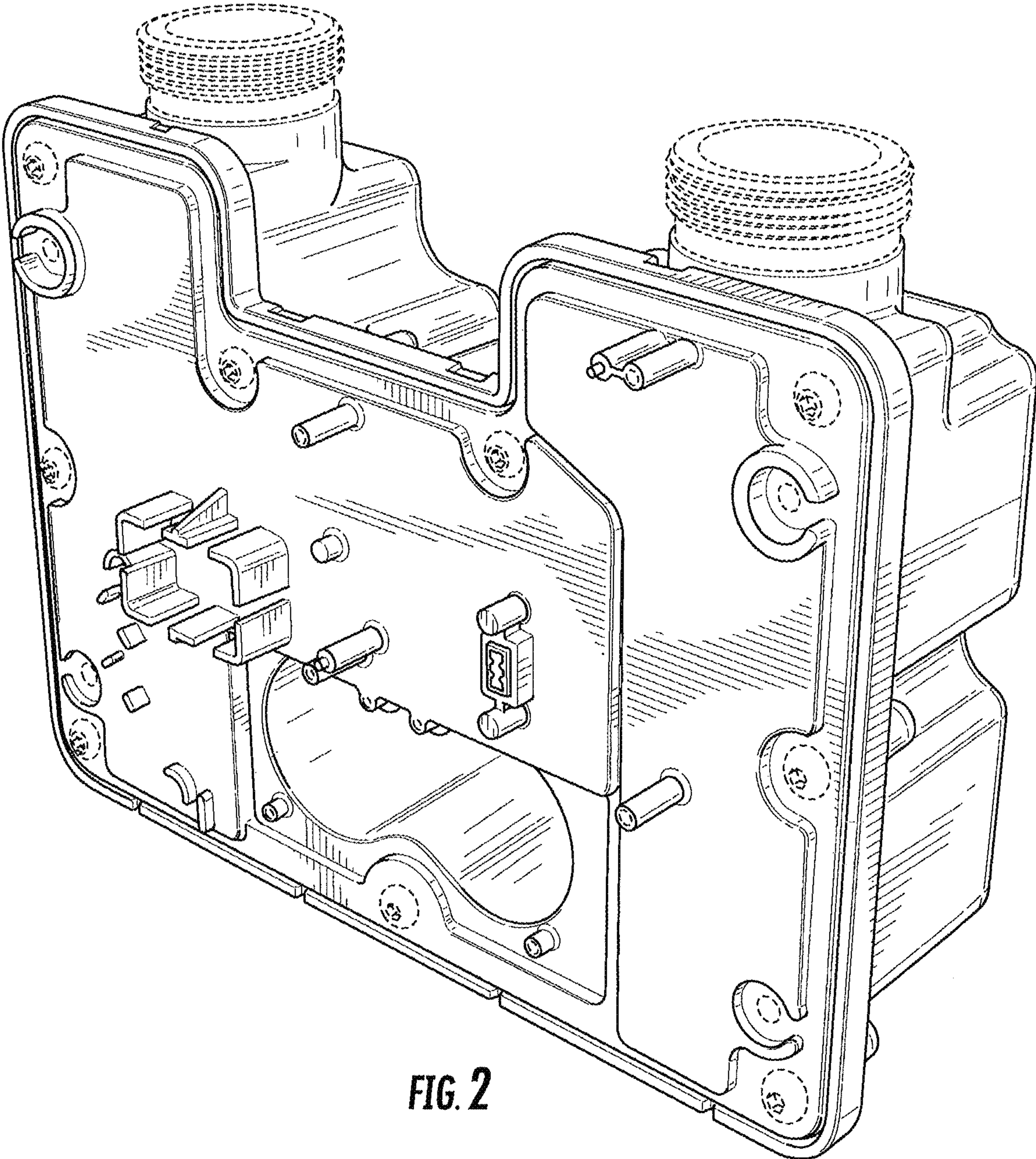


FIG. 2

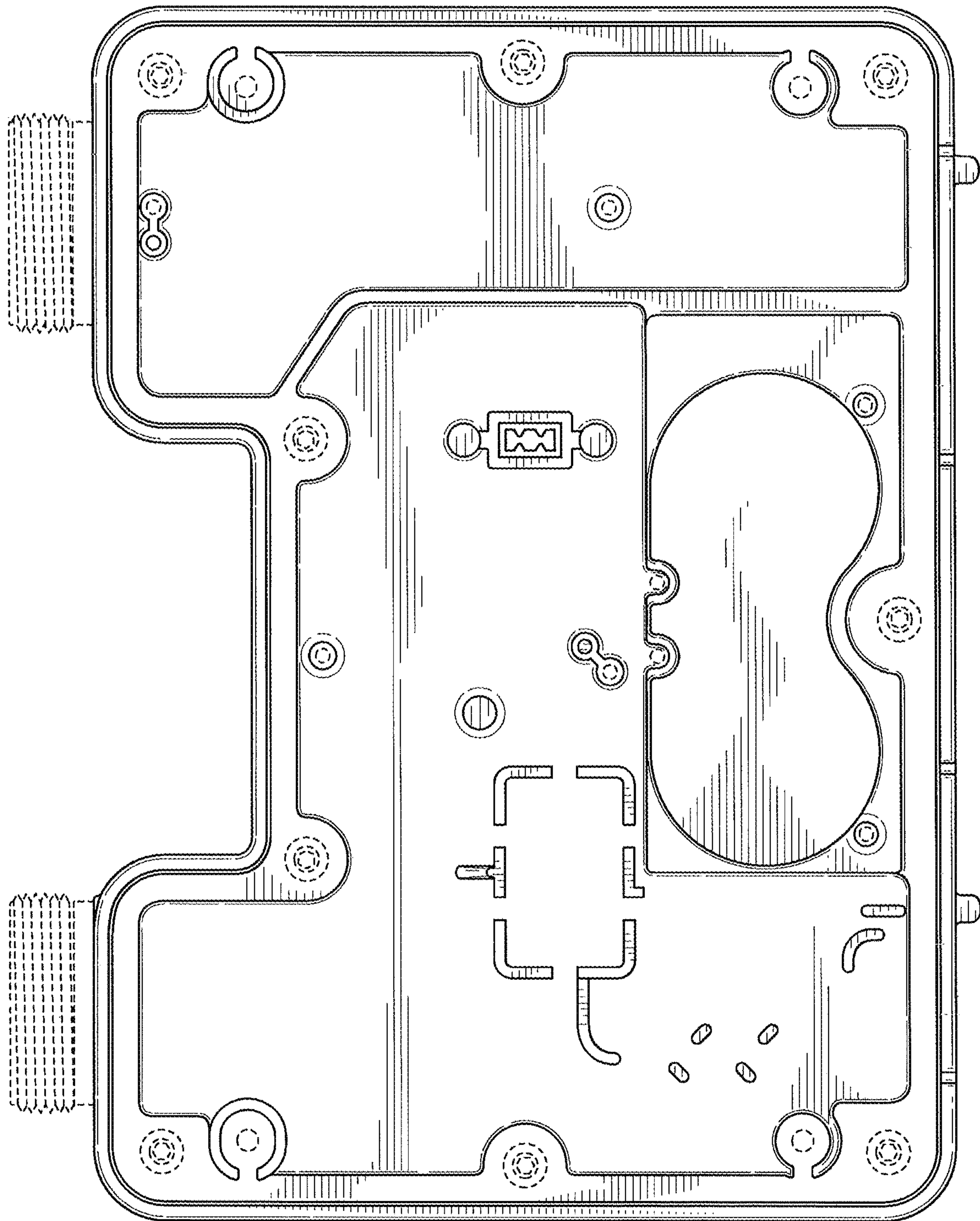


FIG. 3

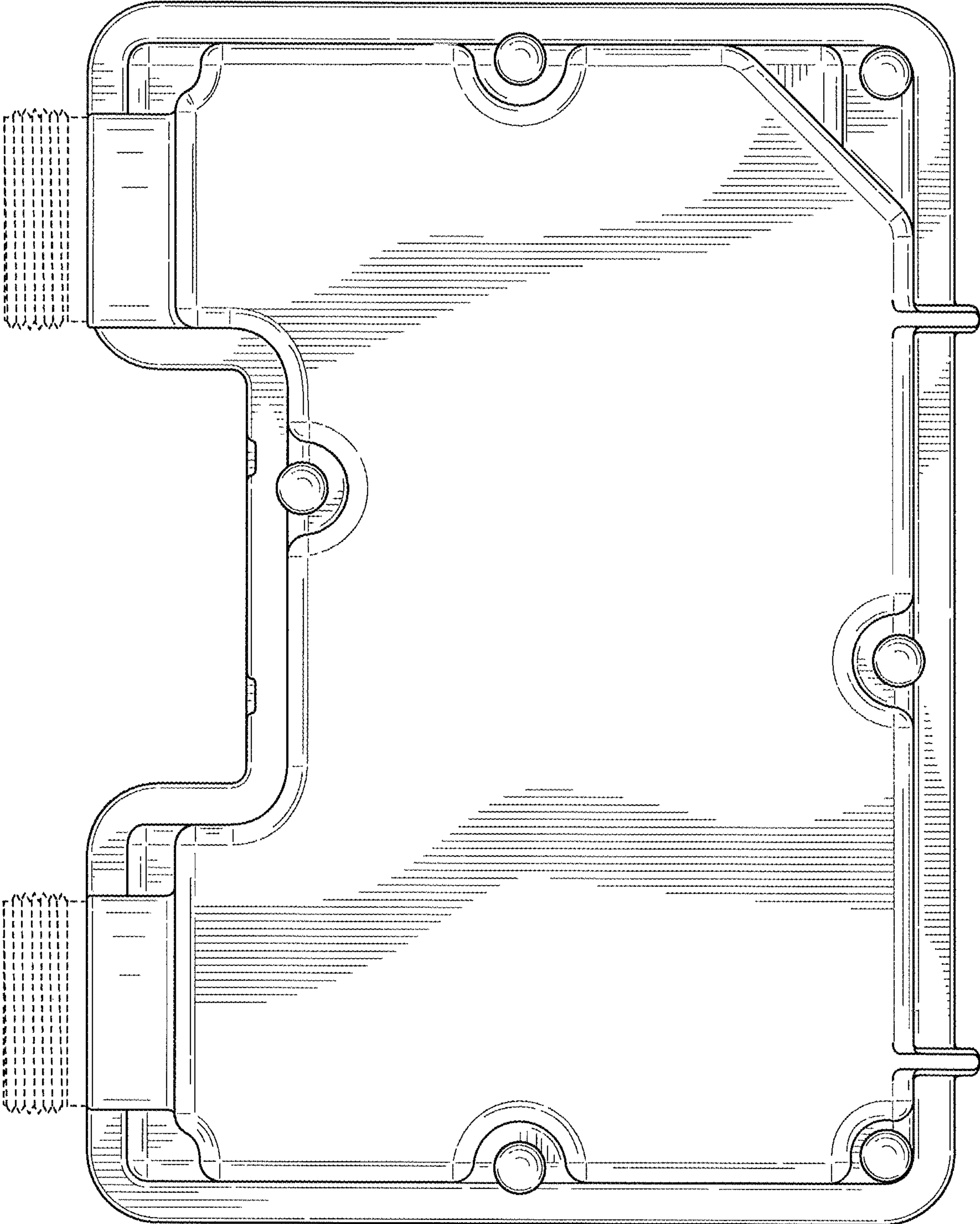


FIG. 4

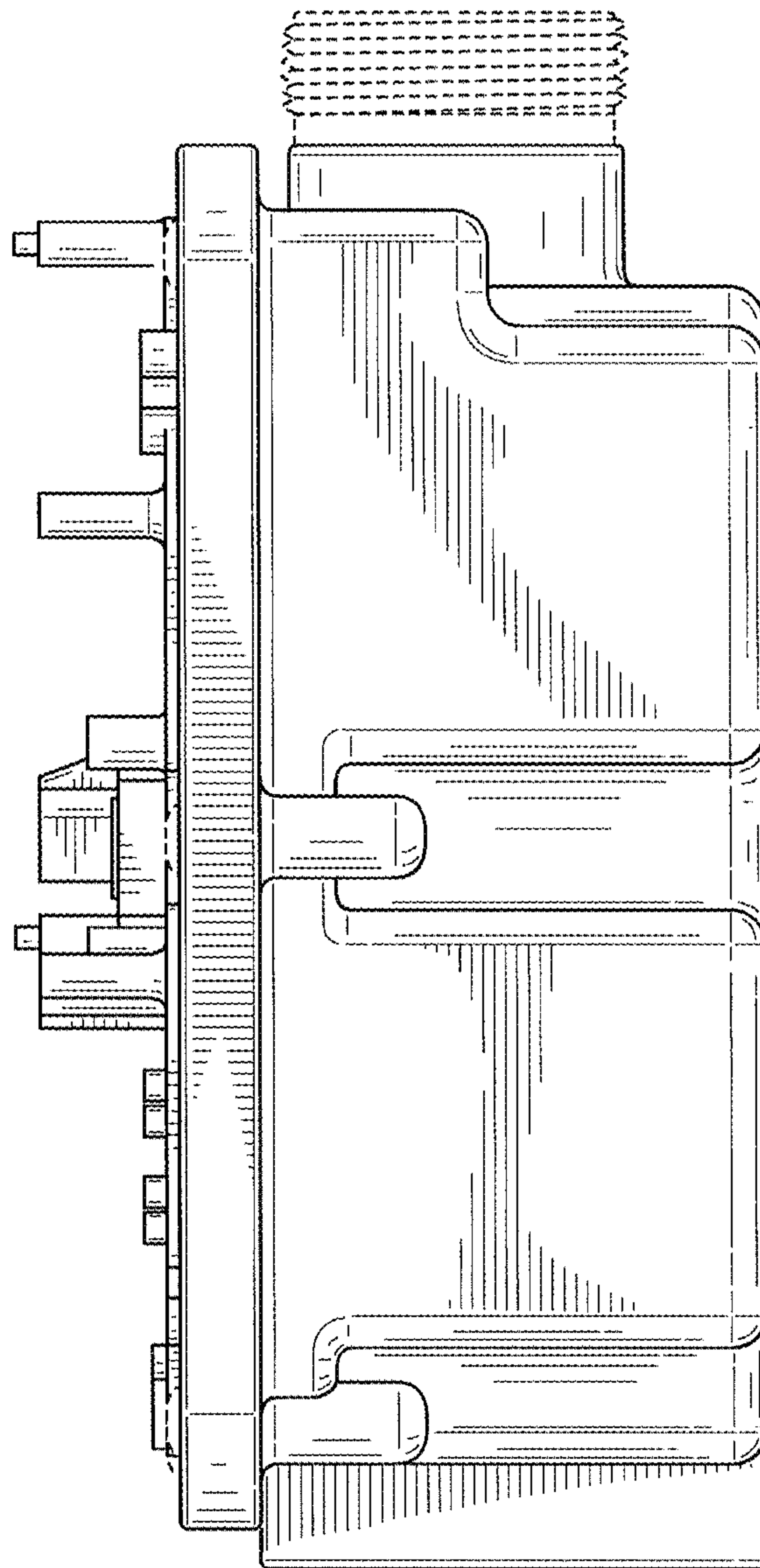


FIG. 5

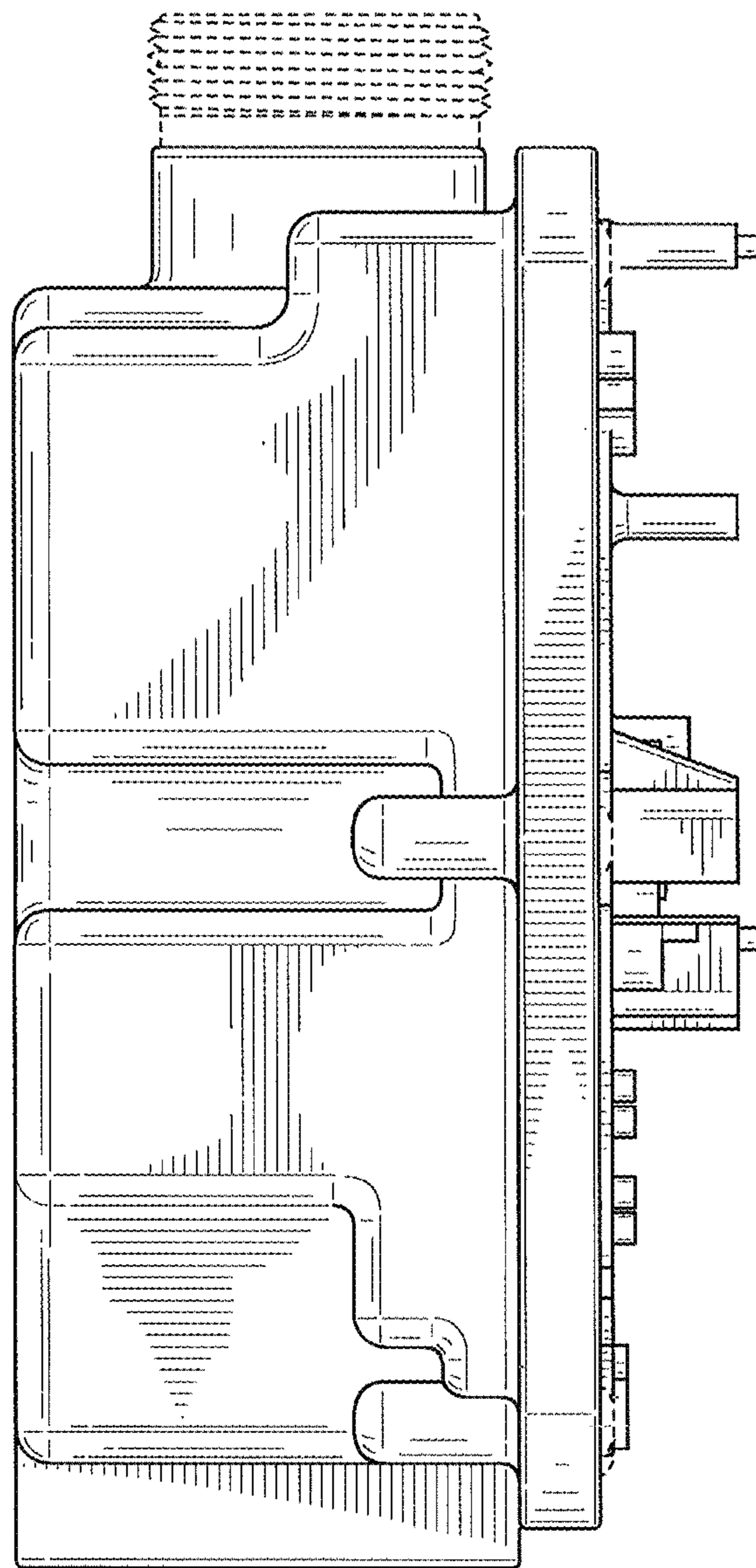


FIG. 6

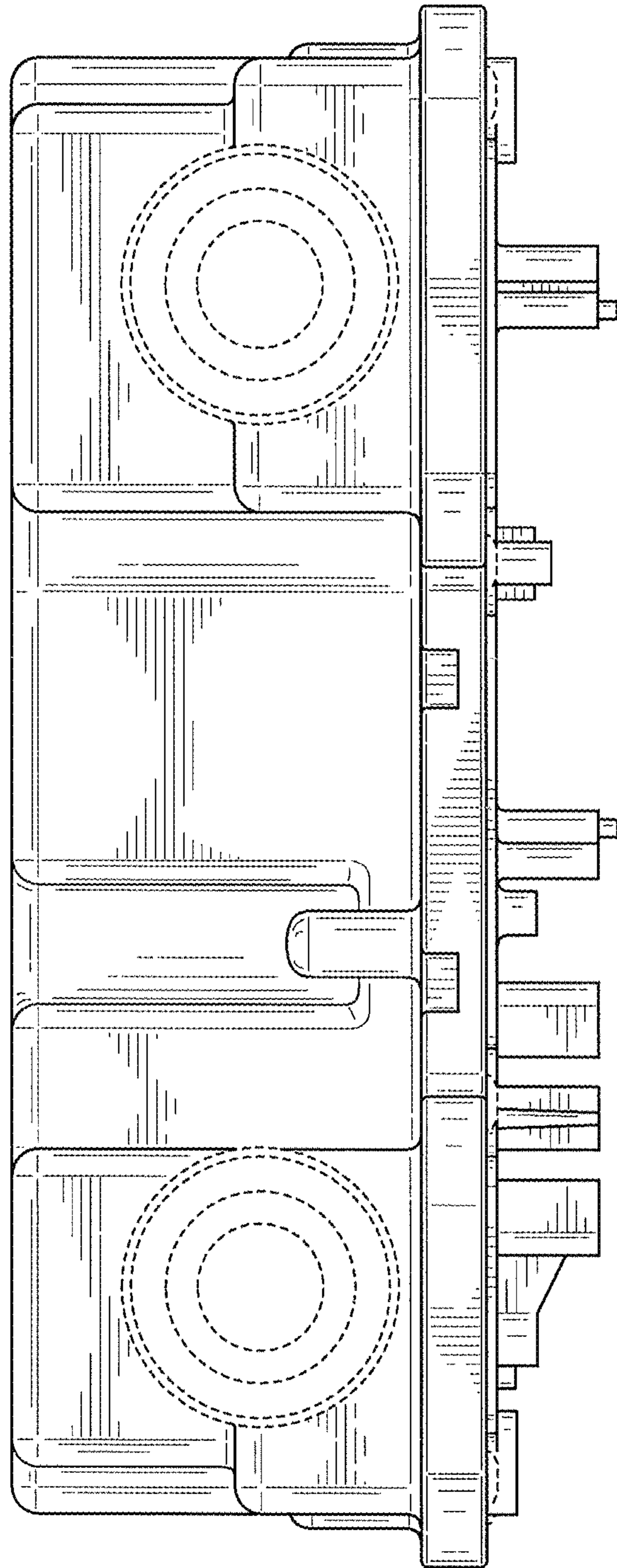


FIG. 7

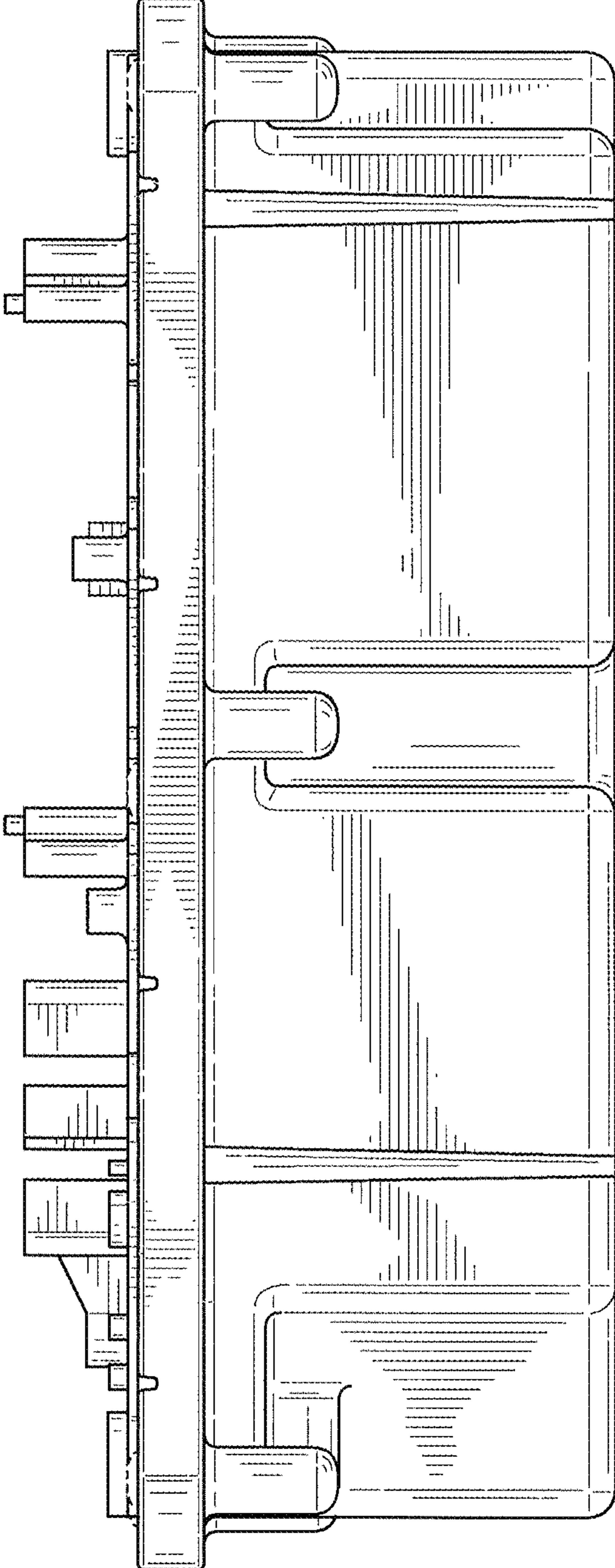


FIG. 8