



US00D882435S

(12) **United States Design Patent**
Bodenstein et al.

(10) **Patent No.:** **US D882,435 S**
(45) **Date of Patent:** **** Apr. 28, 2020**

(54) **MOVEMENT MEASUREMENT DEVICE HOUSING**

(71) Applicant: **CATALYST SPORTS LLC**, Golden, CO (US)

(72) Inventors: **Daniel Bodenstein**, Boulder, CO (US);
Brett Goldfarb, Boulder, CO (US)

(73) Assignee: **Catalyst Sports LLC**, Golden, CO (US)

(**) Term: **15 Years**

(21) Appl. No.: **29/664,012**

(22) Filed: **Sep. 20, 2018**

(51) **LOC (12) Cl.** **10-04**

(52) **U.S. Cl.**
USPC **D10/98; D10/70; D10/83; D10/96; D10/97**

(58) **Field of Classification Search**
USPC **D10/65, 70, 83, 85, 96, 97**
(Continued)

(56) **References Cited**

U.S. PATENT DOCUMENTS

D278,831 S * 5/1985 Bressler D10/97
4,515,365 A 5/1985 Horikoshi et al.
(Continued)

OTHER PUBLICATIONS

Setpro, "Reaction Training Your Home Run Advantage", <http://www.setpro.com/finalwebsite/Main%20html/Hitting/Hitting%20Brochure%20Page%2000%20Reaction%201.htm>, Sep. 20, 2018, 2 pages.

(Continued)

Primary Examiner — Antoine Duval Davis

(74) *Attorney, Agent, or Firm* — Dorsey & Whitney LLP

(57) **CLAIM**

We claim the ornamental design for a movement measurement device housing, as shown and described.

DESCRIPTION

FIG. 1 is a front isometric view of a first embodiment of a movement measurement device housing.

FIG. 2 is a rear isometric view of the movement measurement device housing of FIG. 1.

FIG. 3 is a front elevation view of the movement measurement device housing of FIG. 1.

FIG. 4 is a rear elevation view of the movement measurement device housing of FIG. 1.

FIG. 5 is a right side elevation view of the movement measurement device housing of FIG. 1.

FIG. 6 is a left side elevation view of the movement measurement device housing of FIG. 1.

FIG. 7 is a top plan view of the movement measurement device housing of FIG. 1.

FIG. 8 is a bottom plan view of the movement measurement device housing of FIG. 1.

FIG. 9 is a front isometric view of a second embodiment of a movement measurement device housing.

FIG. 10 is a rear isometric view of the movement measurement device housing of FIG. 9.

FIG. 11 is a front elevation view of the movement measurement device housing of FIG. 9.

FIG. 12 is a rear elevation view of the movement measurement device housing of FIG. 9.

FIG. 13 is a right side elevation view of the movement measurement device housing of FIG. 9.

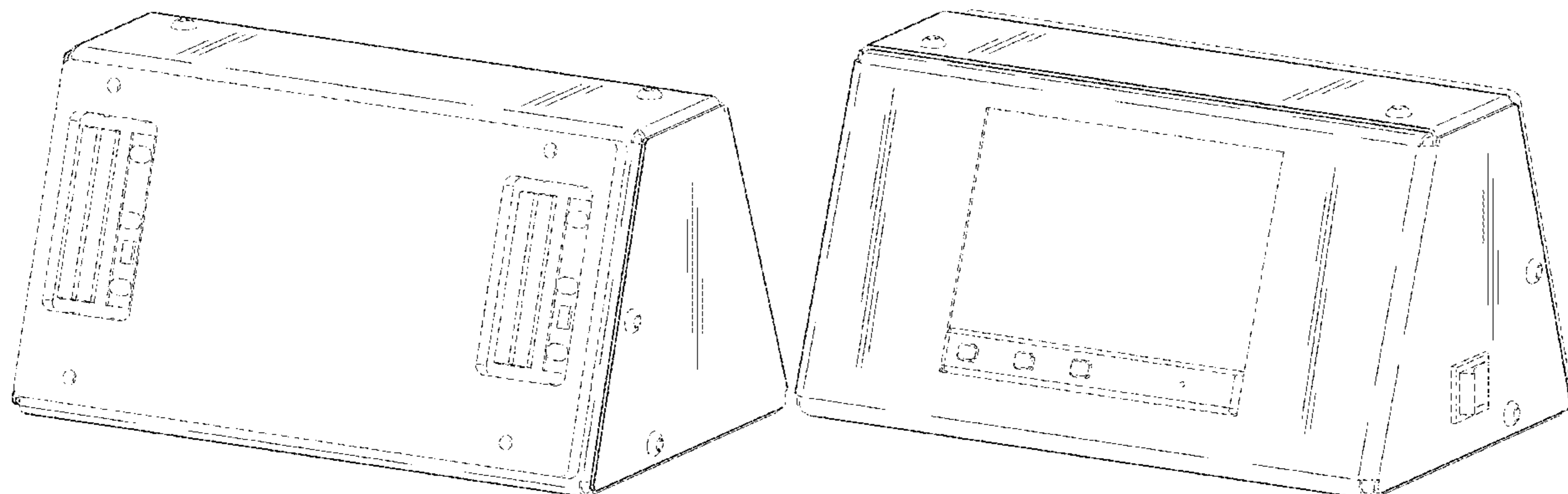
FIG. 14 is a left side elevation view of the movement measurement device housing of FIG. 9.

FIG. 15 is a top plan view of the movement measurement device housing of FIG. 9; and,

FIG. 16 is a bottom plan view of the movement measurement device housing of FIG. 9.

The dashed lines illustrate portions of the movement measurement device housing that form no part of the claimed design.

1 Claim, 14 Drawing Sheets



(58) **Field of Classification Search**

CPC A63B 60/46; A63B 2060/462; A63B
2060/464; A63B 69/00; A63B 69/0002;
A63B 2069/0004; A63B 2069/0006;
A63B 2069/0008; A63B 2069/0011;
A63B 2102/18; A63B 2208/02; A63B
2208/0204; A63B 2208/0209; A63B
2220/30; A63B 2220/31; A63B 2220/34;
A63B 2220/35; A63B 2220/36; A63B
2220/40; A63B 2220/44; A63B 2220/50;
A63B 2220/51; A63B 2220/52; A63B
2220/53; A63B 2220/54; A63B 2220/56;
A63B 2220/58; A63B 2220/62; A63B
2220/80; A63B 2220/801; A63B
2220/802; A63B 2220/803; A63B
2220/805; A63B 2220/806; A63B
2220/807; A63B 2220/83; A63B
2220/833; A63B 2220/836; A63B
2220/89

See application file for complete search history.

(56) **References Cited**

U.S. PATENT DOCUMENTS

D367,821 S * 3/1996 Fischer D10/46
D409,927 S * 5/1999 Wiegers D10/65

OTHER PUBLICATIONS

“SetPro SP-3A Swing Power Training Product”, 7 pages.
SETPRO, “Who is Paul Nyman”, www.setpro.com, (Accessed Jul.
3, 2018, 7 pages).

* cited by examiner

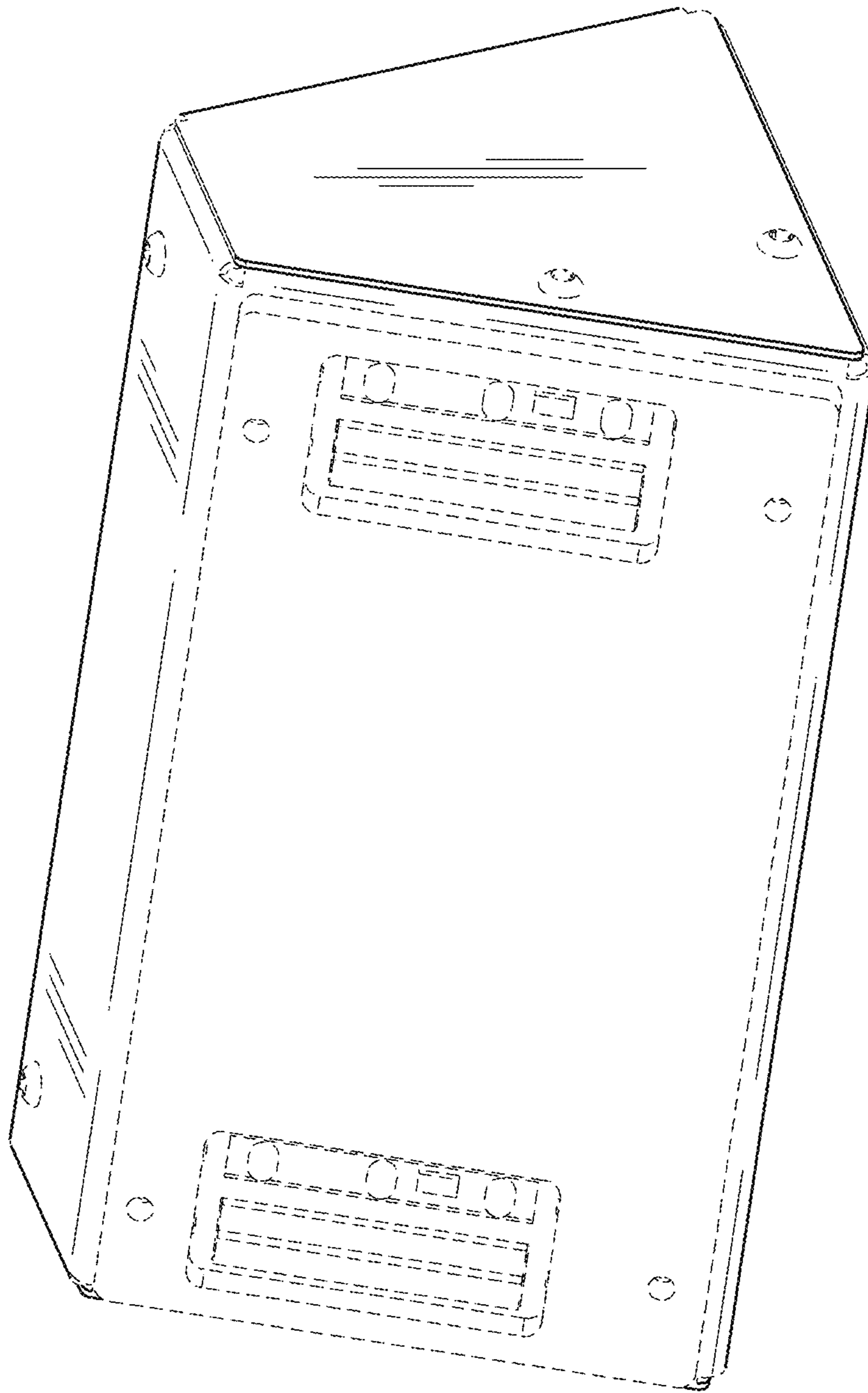


FIG. 1

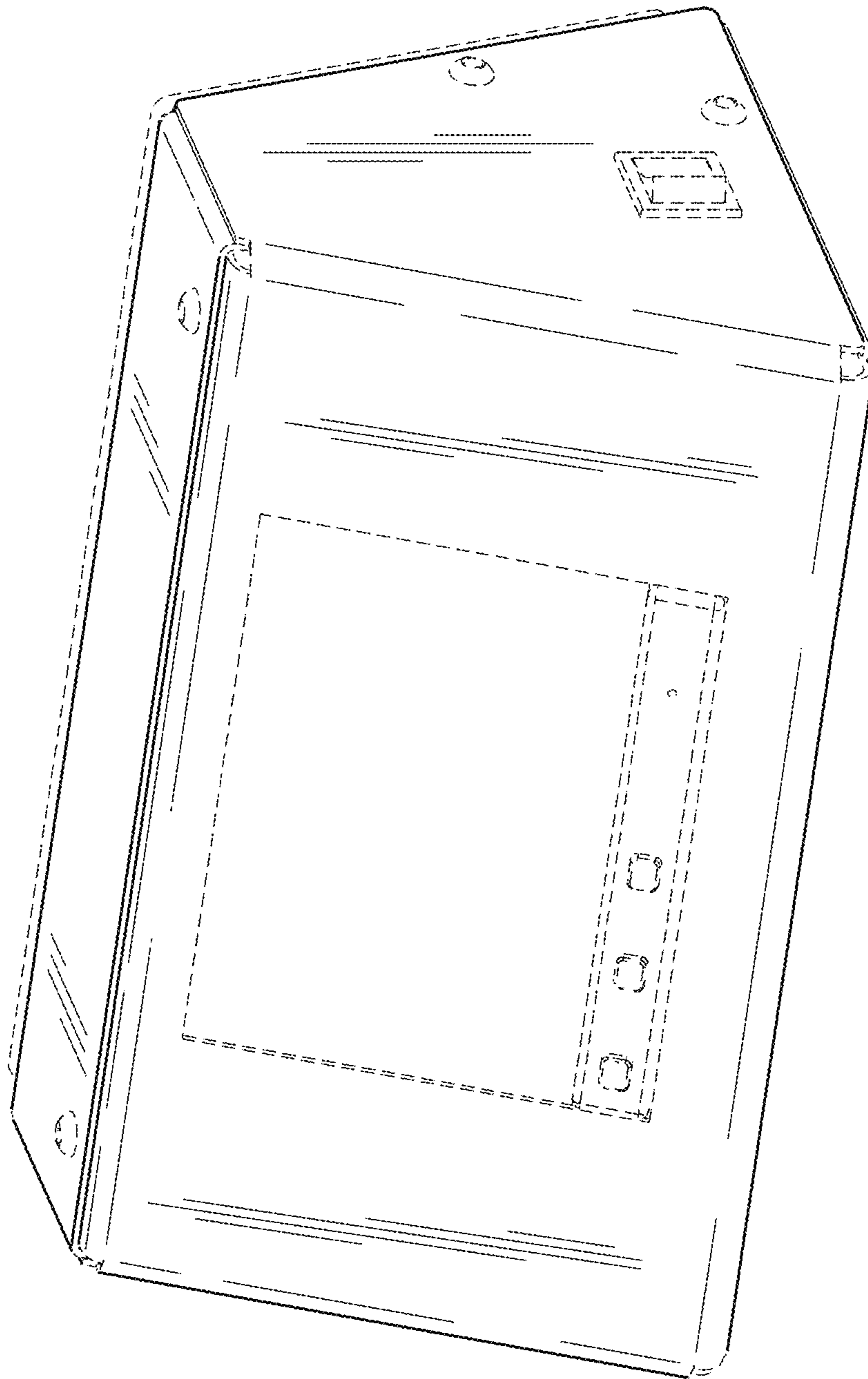


FIG. 2

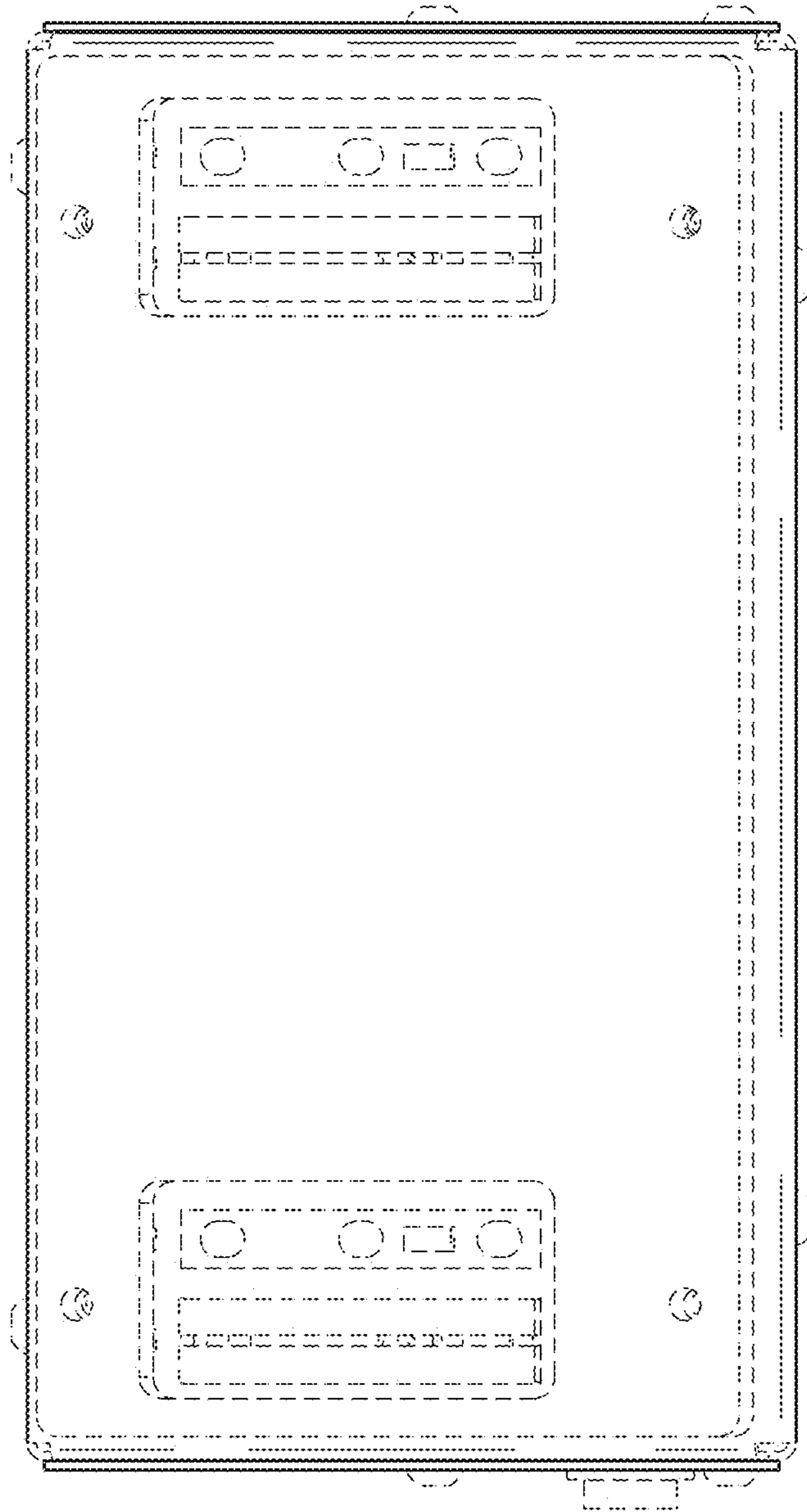


FIG. 3

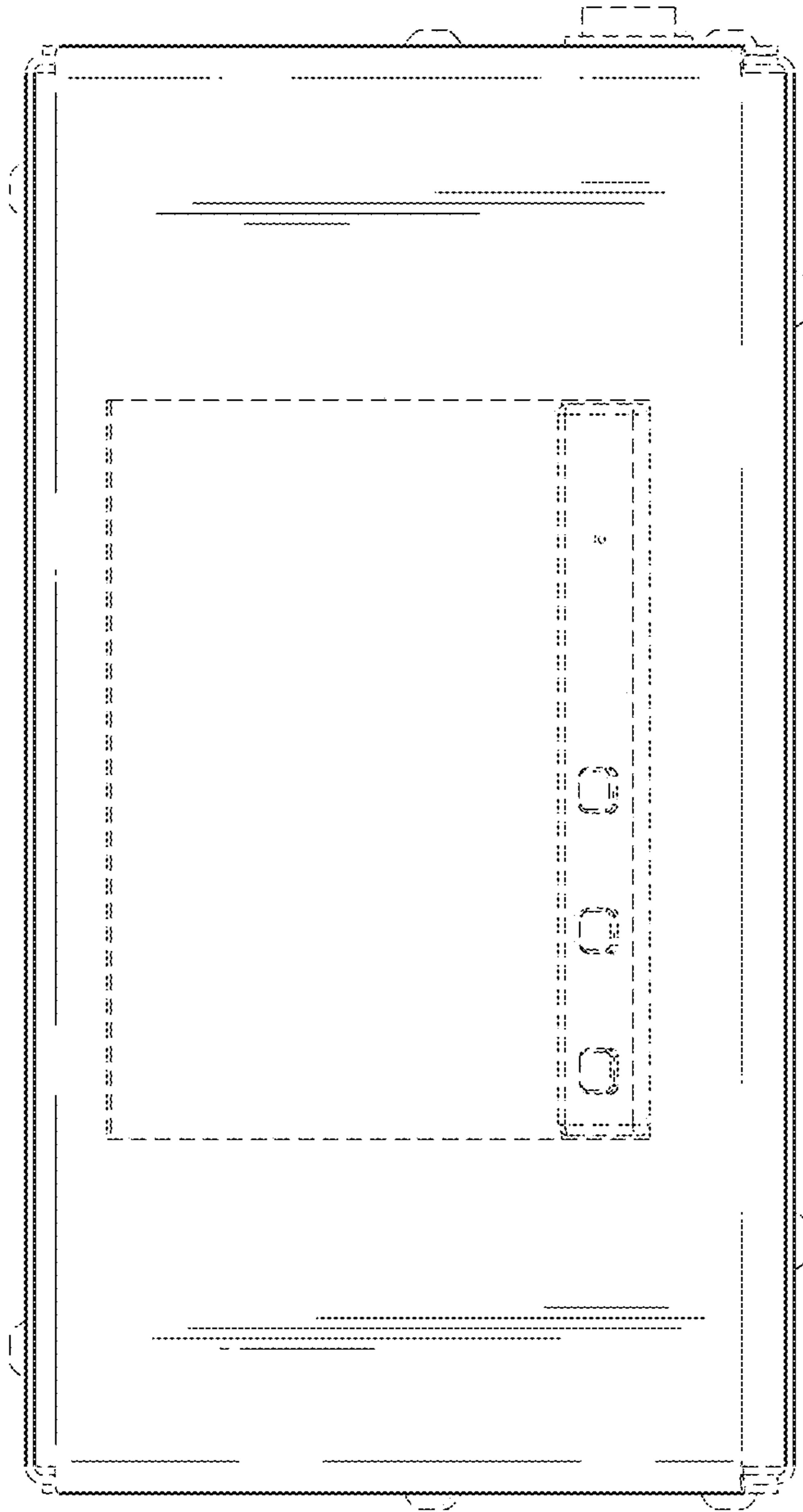


FIG. 4

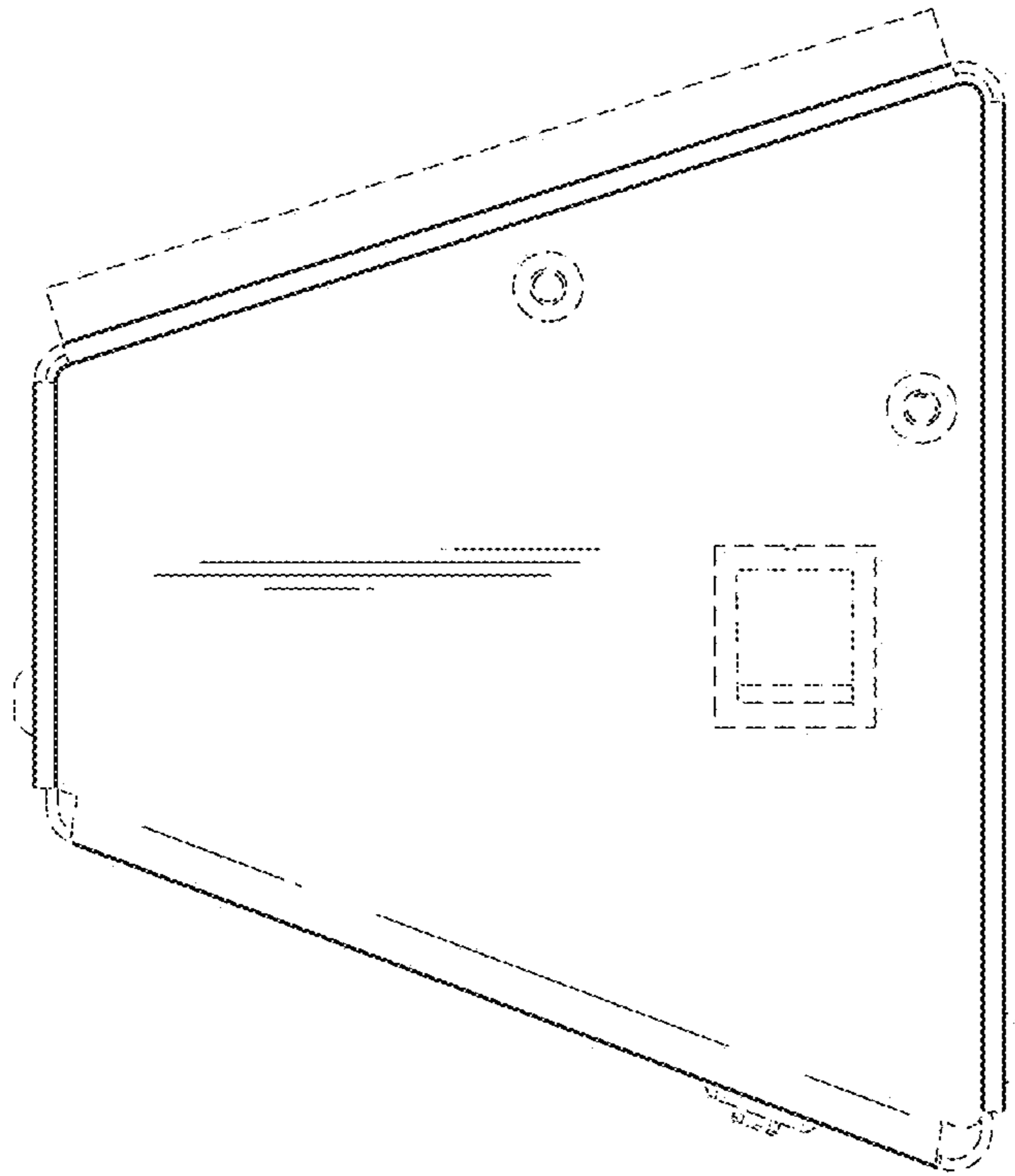


FIG. 5

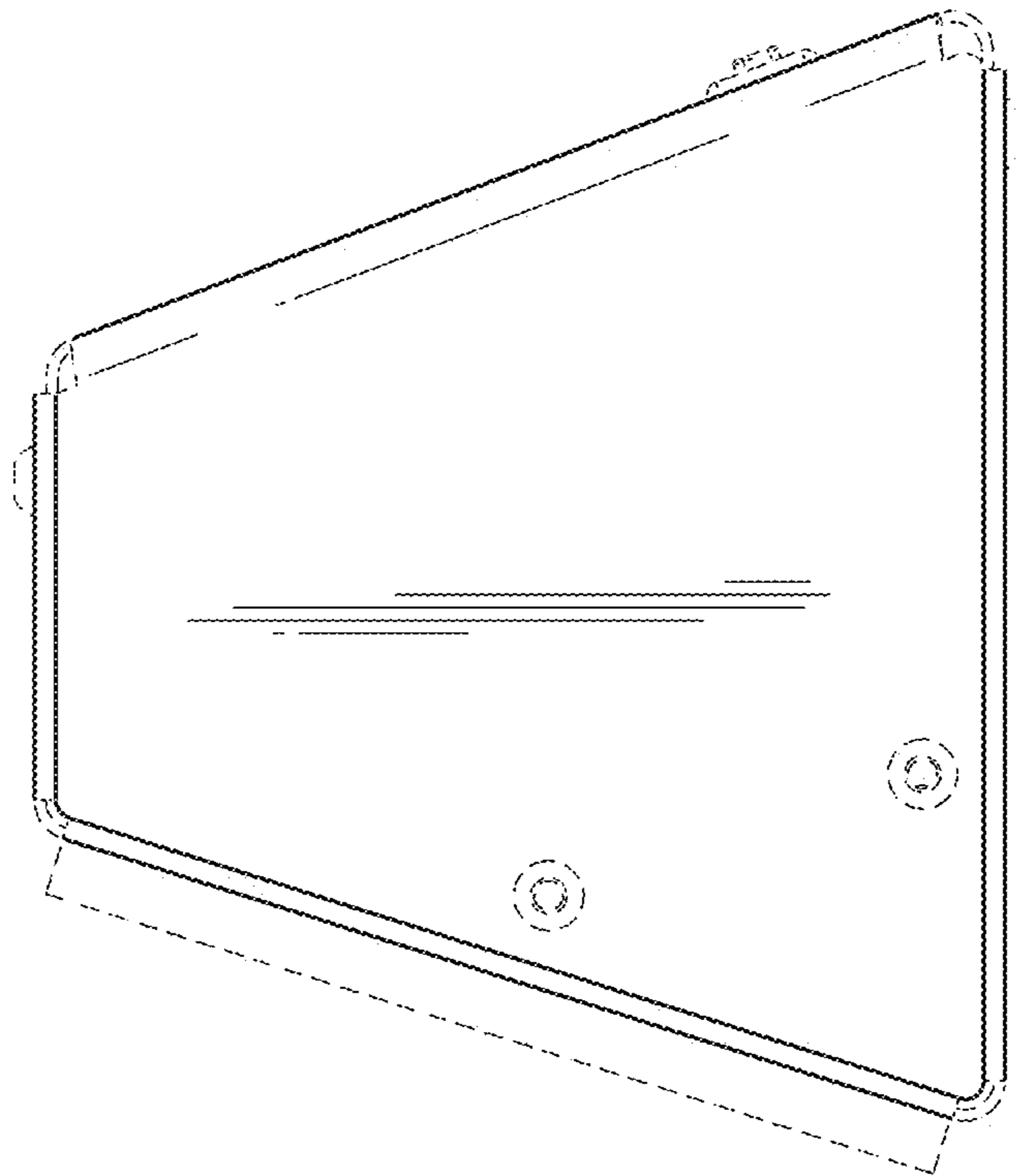


FIG. 6

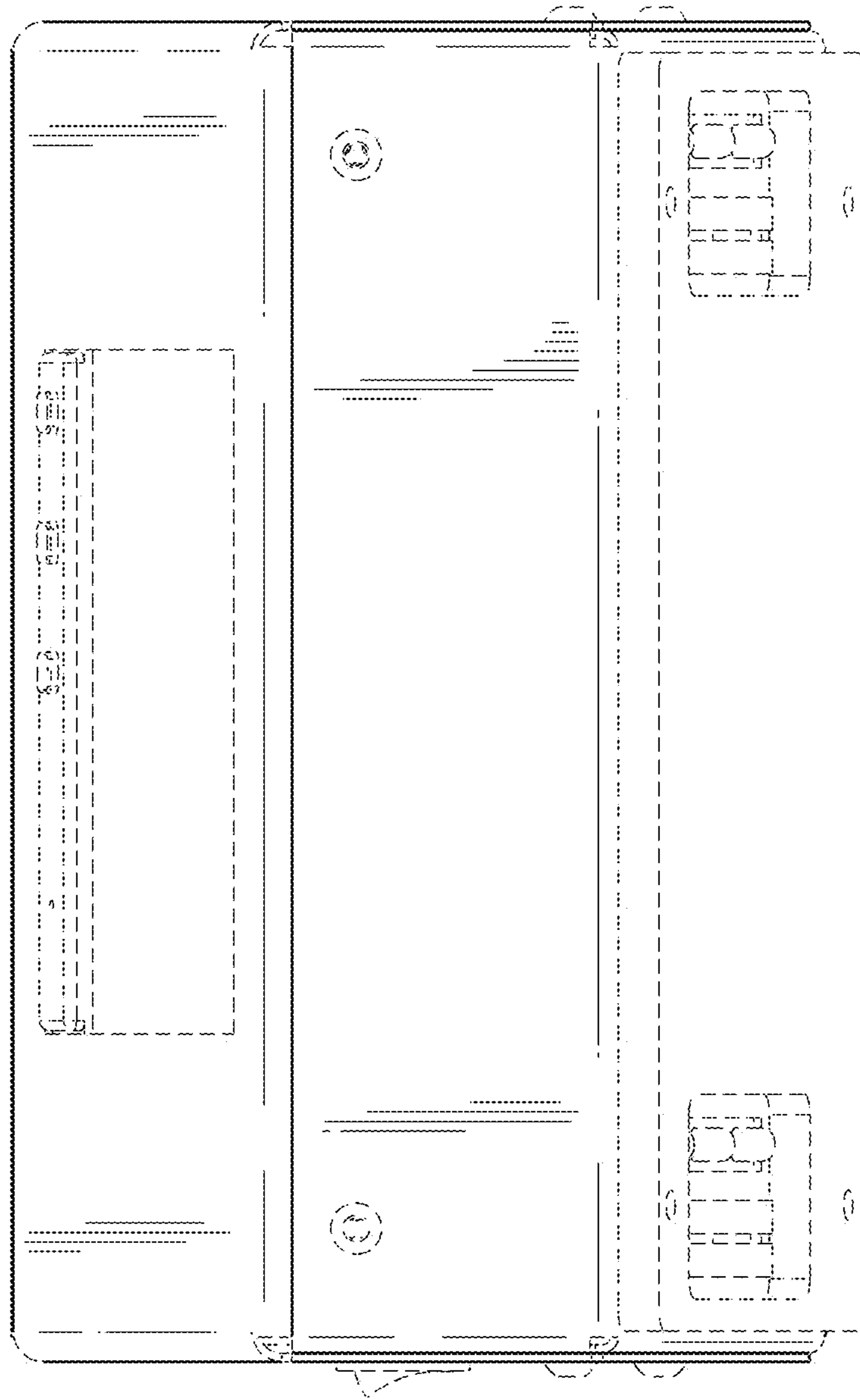


FIG. 7

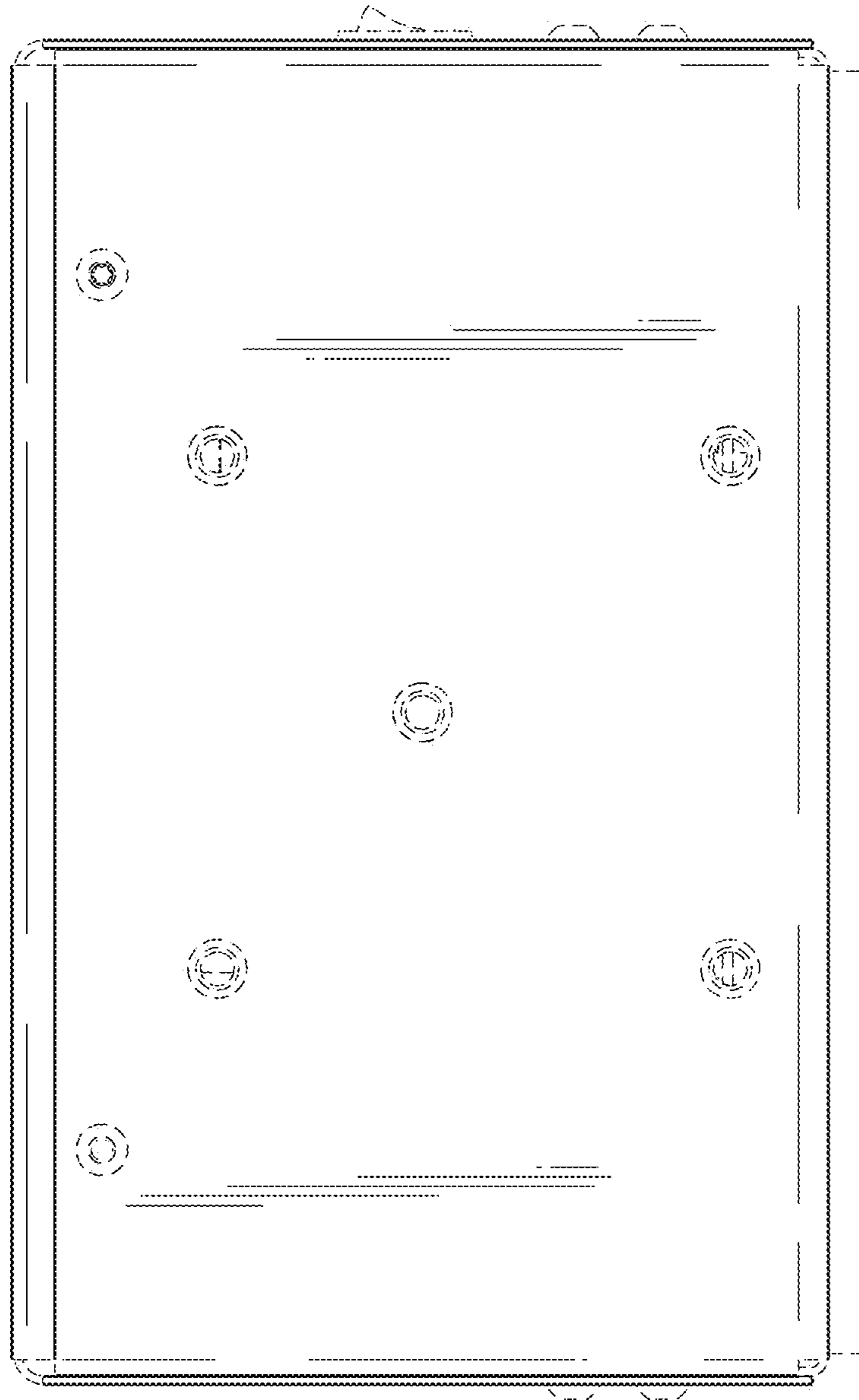


FIG. 8

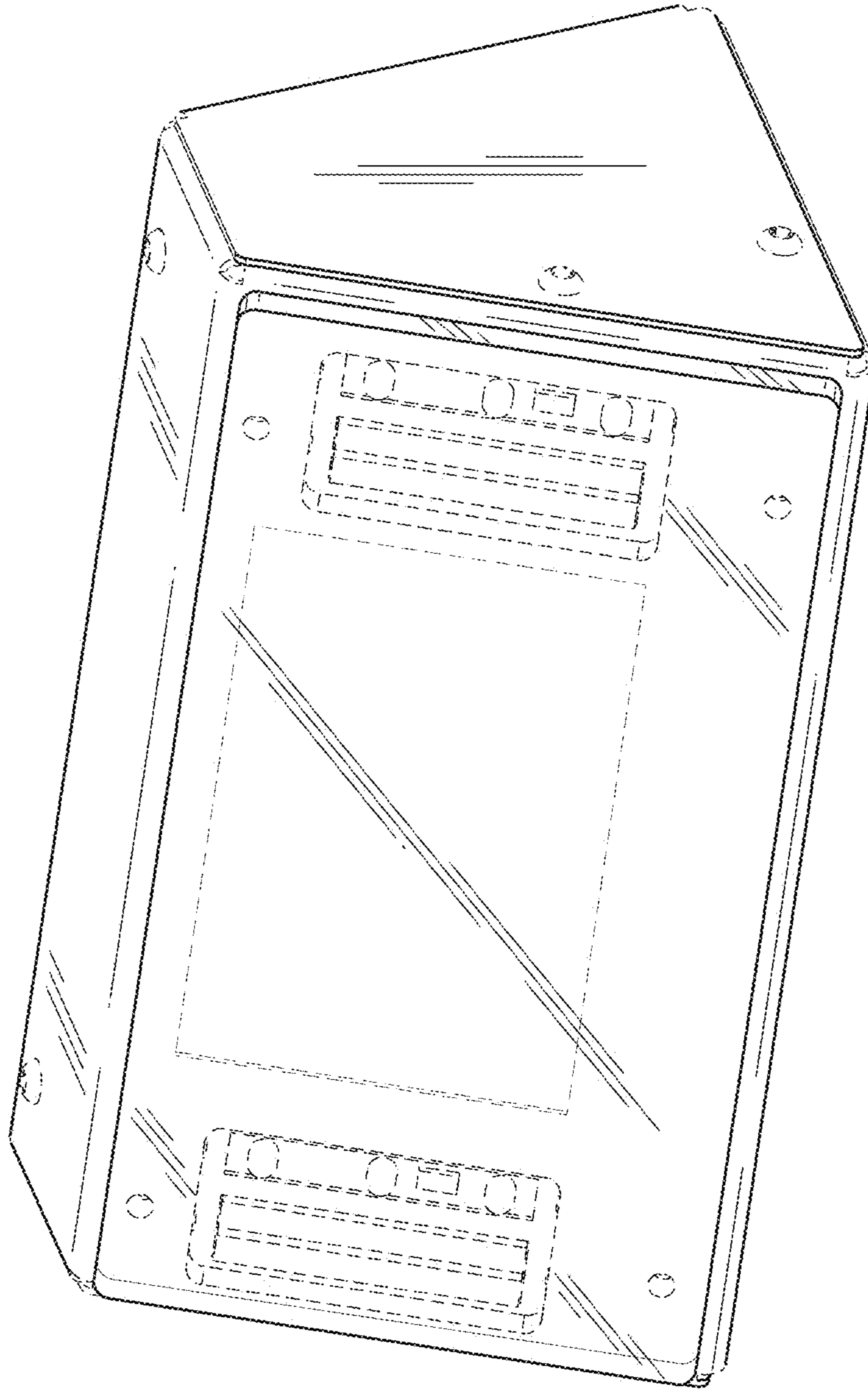


FIG. 9

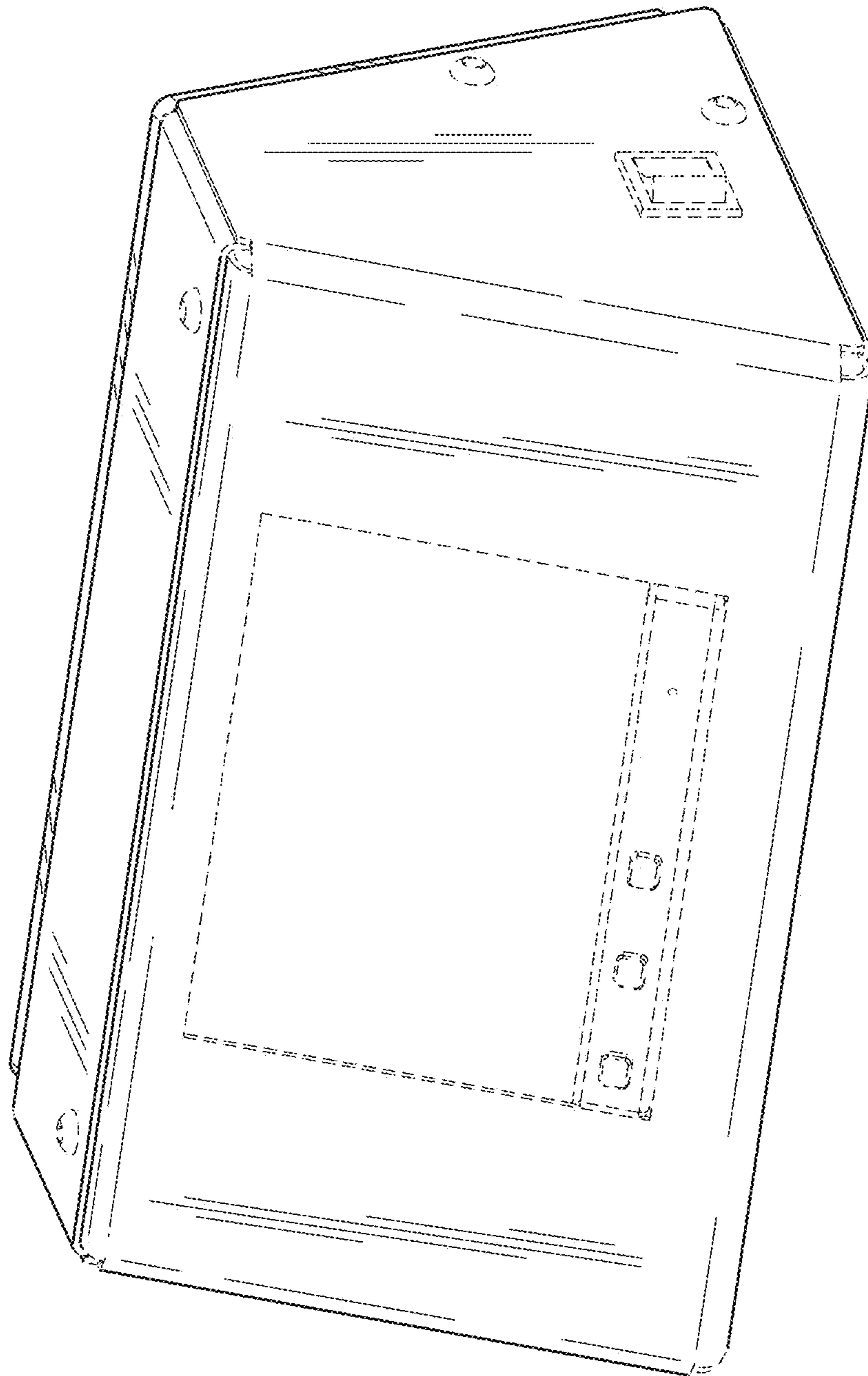


FIG. 10

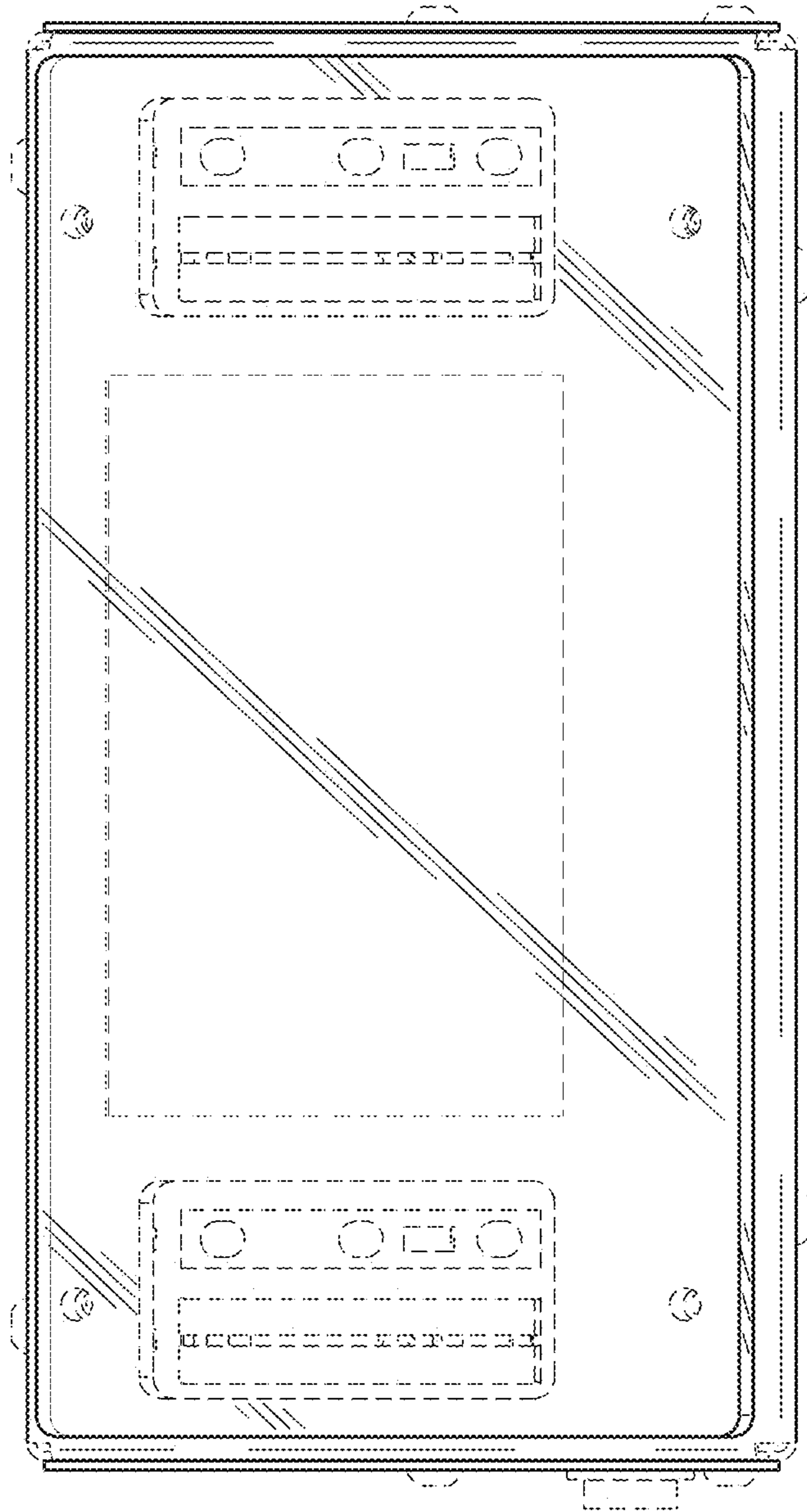


FIG. 11

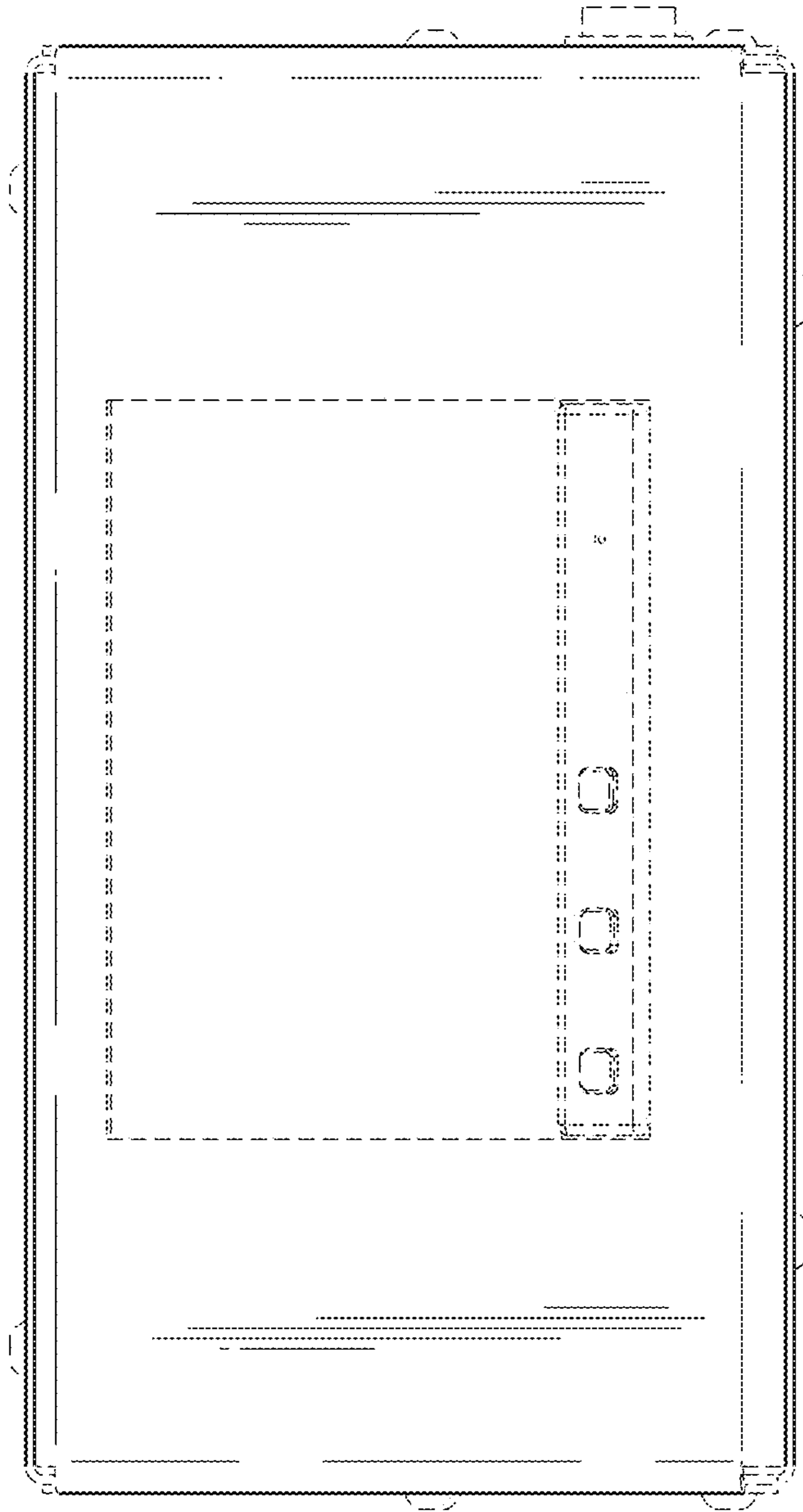


FIG. 12

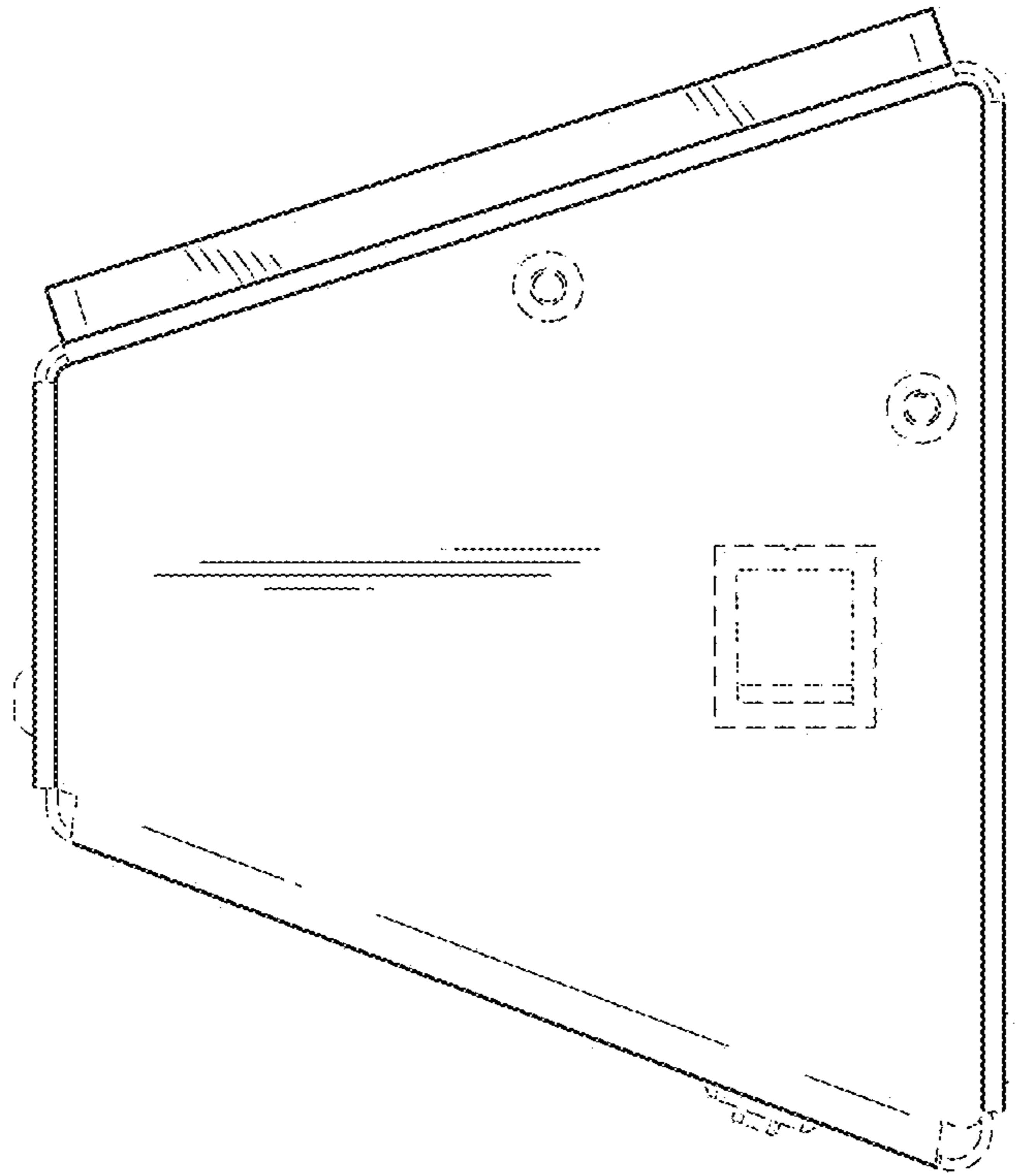


FIG. 14

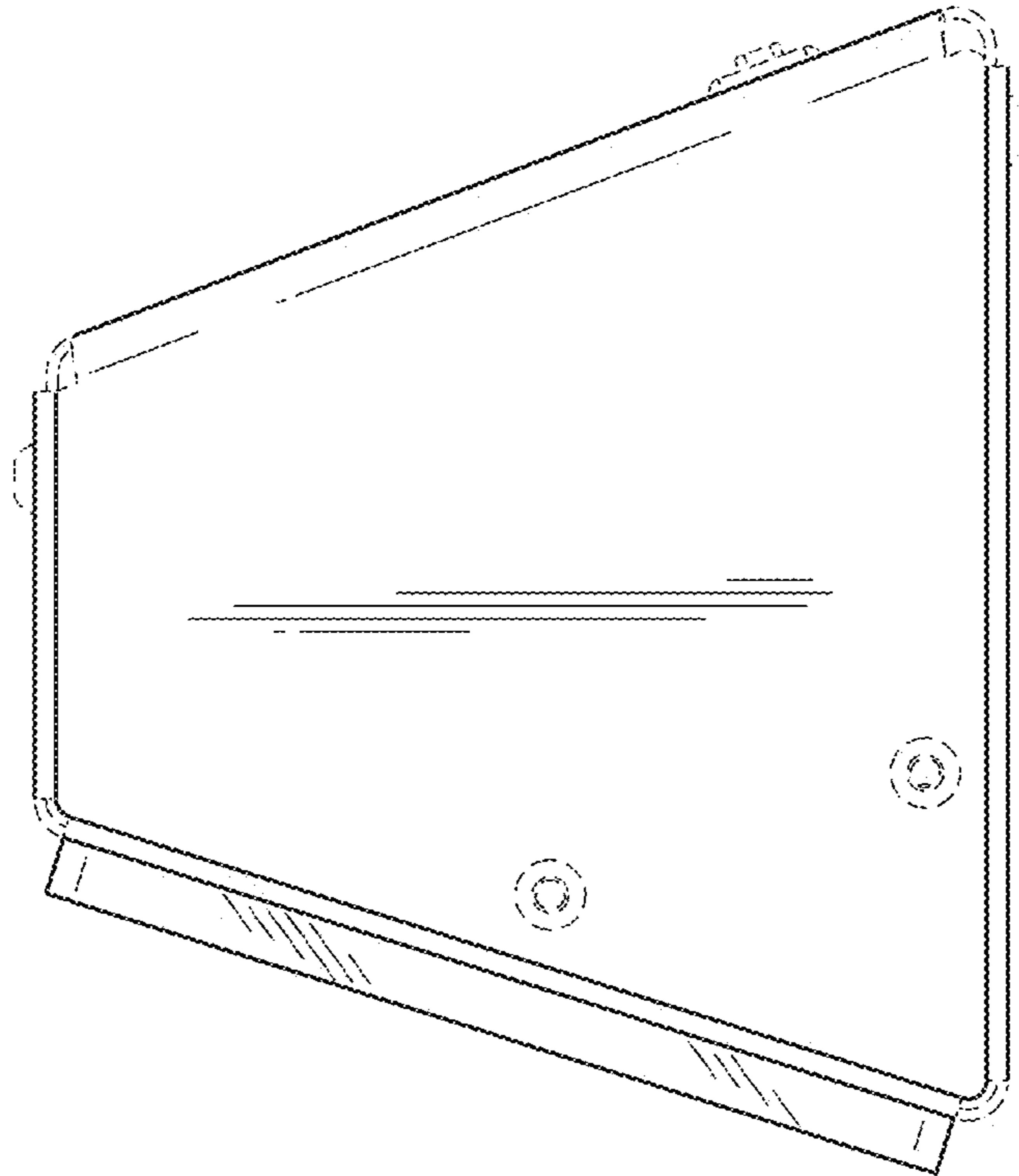


FIG. 13

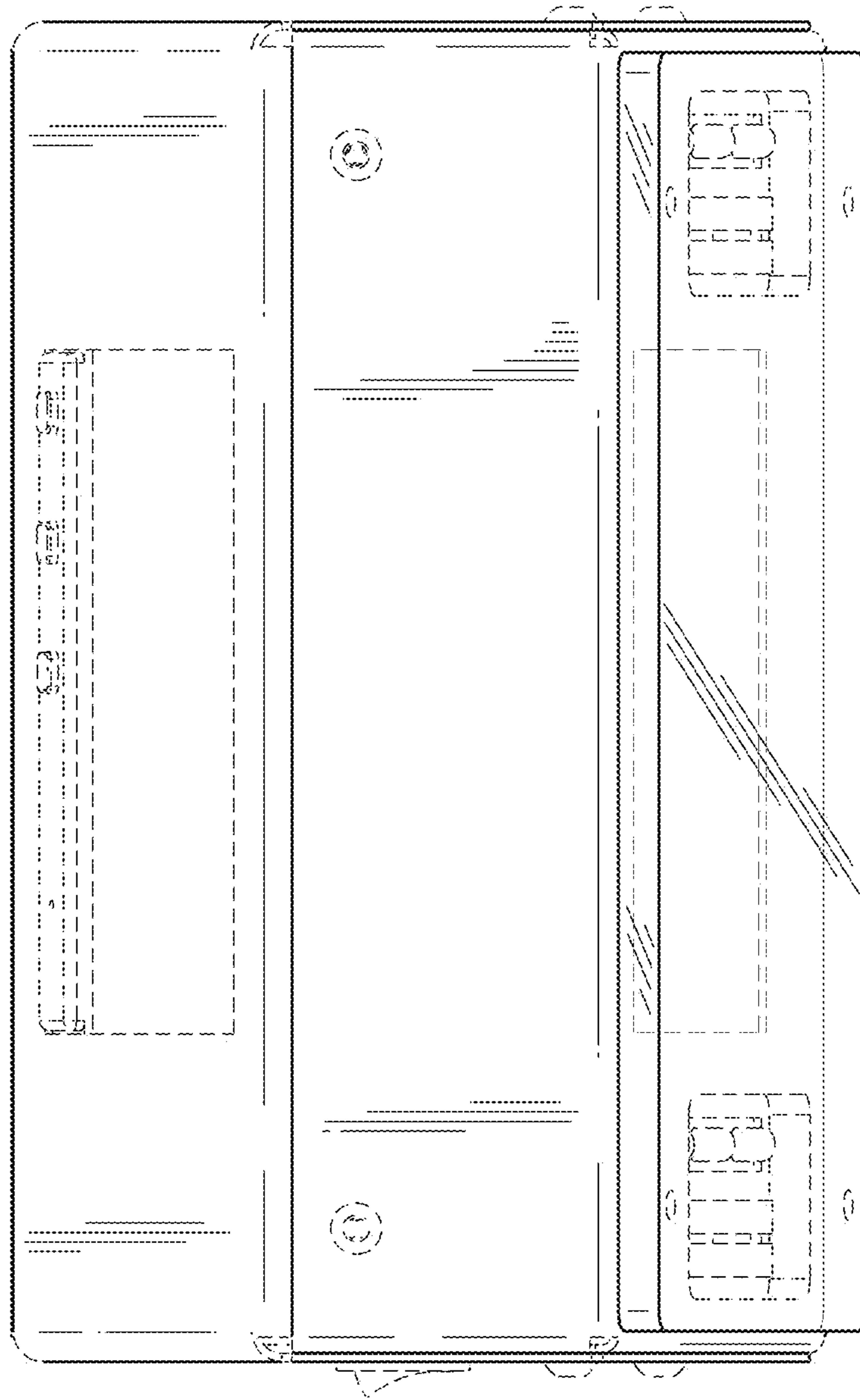


FIG. 15

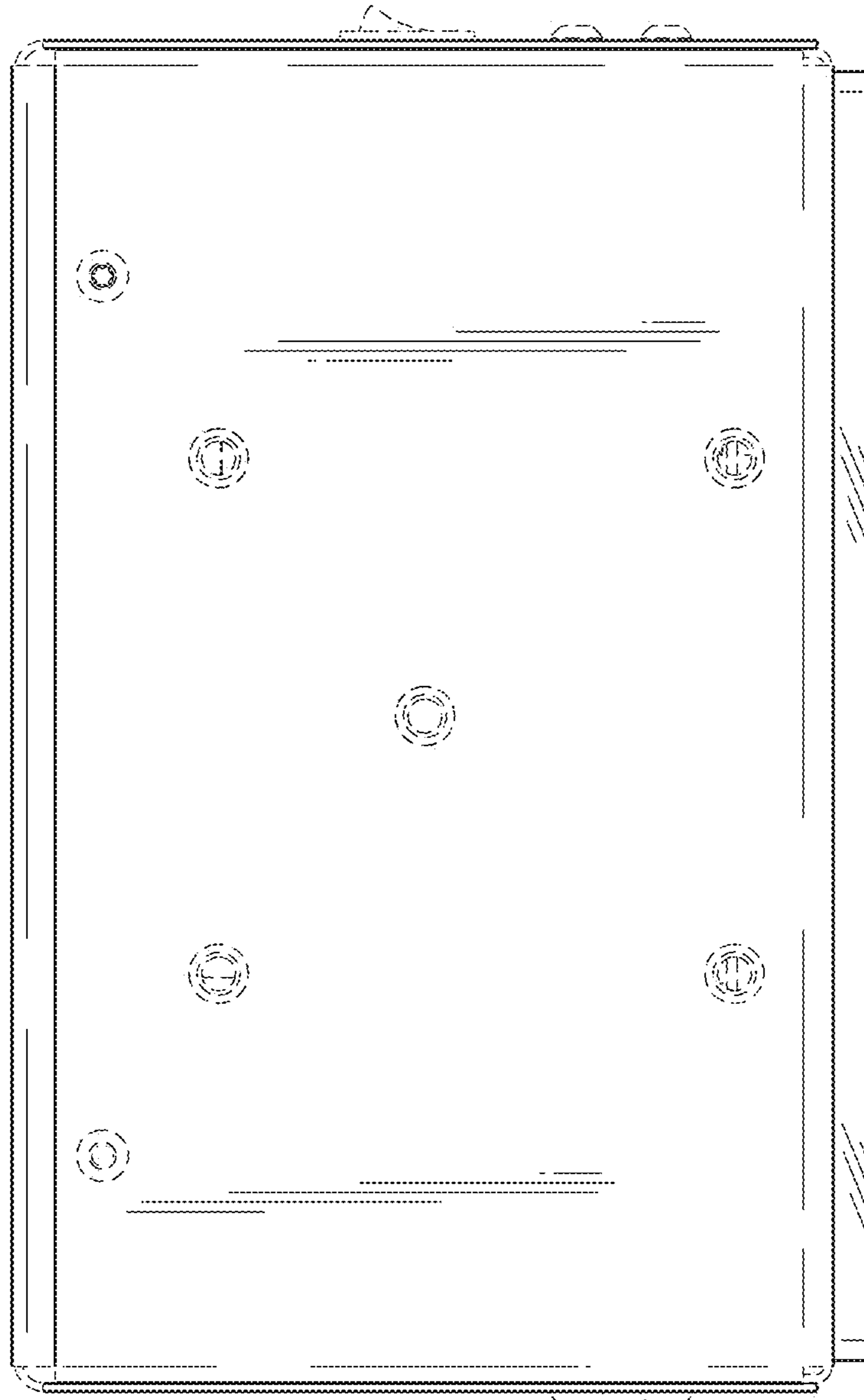


FIG. 16