



US00D882434S

(12) **United States Design Patent**
Bestic et al.

(10) **Patent No.:** **US D882,434 S**
(45) **Date of Patent:** **** Apr. 28, 2020**

(54) **LAMINAR FLOW ELEMENT**

OTHER PUBLICATIONS

- (71) Applicant: **Swagelok Company**, Solon, OH (US)
- (72) Inventors: **Michael D. Bestic**, Sagamore Hills, OH (US); **David J. Hasak**, Concord, OH (US); **Bryan S. Reiger**, Willowick, OH (US); **Andrew Creque**, Macedonia, OH (US); **Marius O. Stroescu**, Mayfield Hts., OH (US); **William Michael Ponikvar**, Sagamore Hills, OH (US)
- (73) Assignee: **Swagelok Company**, Solon, OH (US)
- (**) Term: **15 Years**

Swagelok Stainless Steel Pipe Fitting, SS-4-CS, Cross ¼ in. Female NPT, printed from Swagelok Company webpage, 2 pages, dated prior to Sep. 2017.
Swagelok Stainless Steel Pipe Fitting, SS-400-4, Cross ¼ in. Female NPT, printed from Swagelok Company webpage, 2 pages, dated prior to Sep. 2017.

* cited by examiner

Primary Examiner — Antoine D. Davis

(74) *Attorney, Agent, or Firm* — Calfee, Halter & Griswold LLP

- (21) Appl. No.: **29/663,729**
- (22) Filed: **Sep. 18, 2018**
- (51) **LOC (12) Cl.** **10-04**
- (52) **U.S. Cl.**
USPC **D10/96**
- (58) **Field of Classification Search**
USPC D10/96
CPC G01F 1/00–1/90; G01F 3/00–3/38; G01F 5/00–5/005; G01F 7/00–7/005; G01F 9/00–9/026; G01F 11/00–11/46; G01F 13/00–13/008; G01F 15/00–15/185; G01F 17/00; G01F 19/00–19/007; G01F 25/00–25/0092; G01P 13/00; G05D 7/00–7/0694; G05D 11/00–11/16
See application file for complete search history.

(57) **CLAIM**

We claim the ornamental design for a laminar flow element, as shown and described.

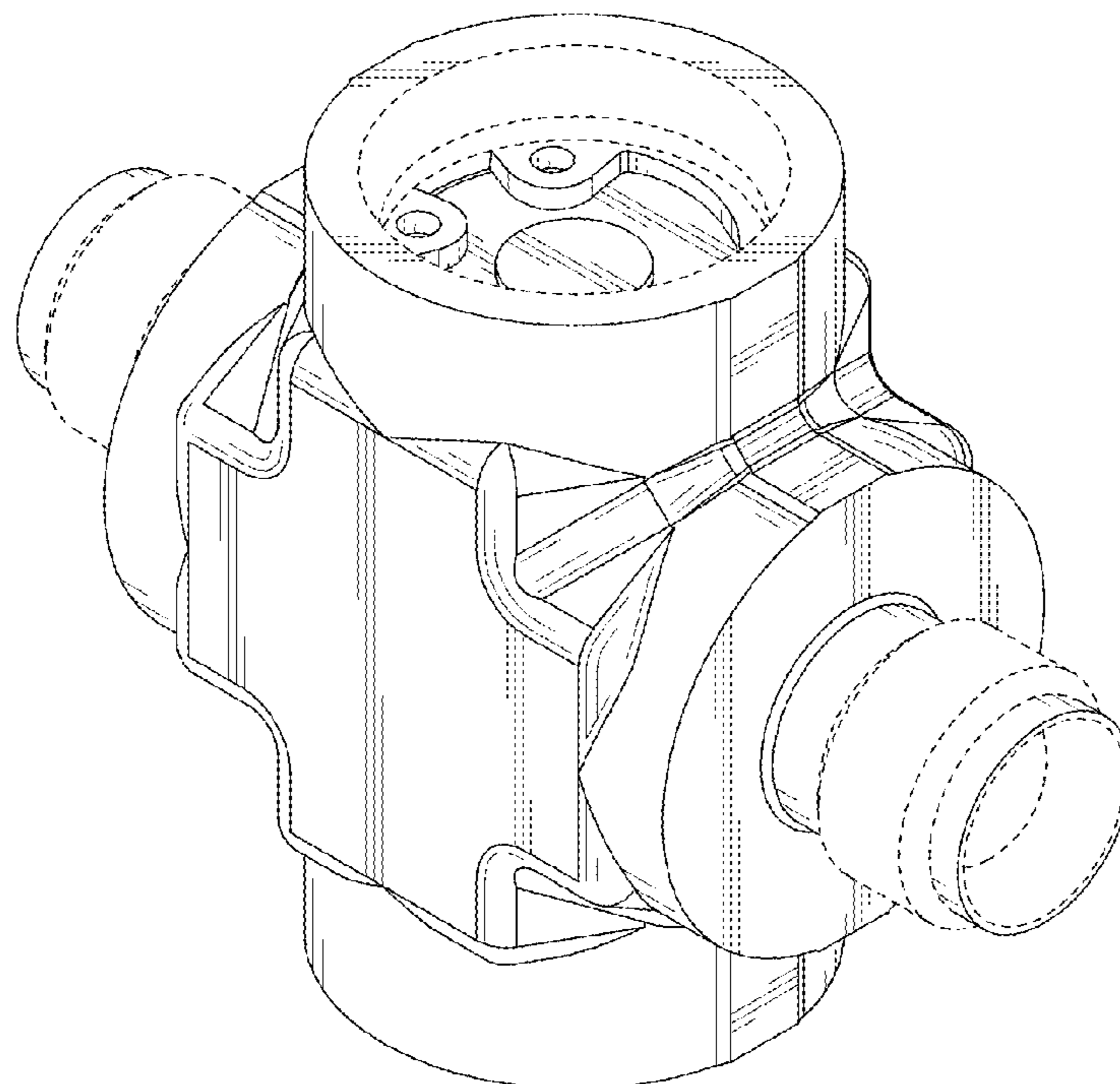
DESCRIPTION

FIG. 1 is a perspective view of a laminar flow element; FIG. 2 is a top plan view thereof, the bottom plan view being substantially identical thereto; FIG. 3 is a front elevational view thereof, the rear elevational view being substantially identical thereto; and, FIG. 4 is a left side elevational view thereof, the right side elevational view being substantially identical thereto. The portions of the Figures shown in broken lines are for illustrative purpose only and form no part of the claimed design.

(56) **References Cited**
U.S. PATENT DOCUMENTS

D684,076 S * 6/2013 Furey D10/96

1 Claim, 2 Drawing Sheets



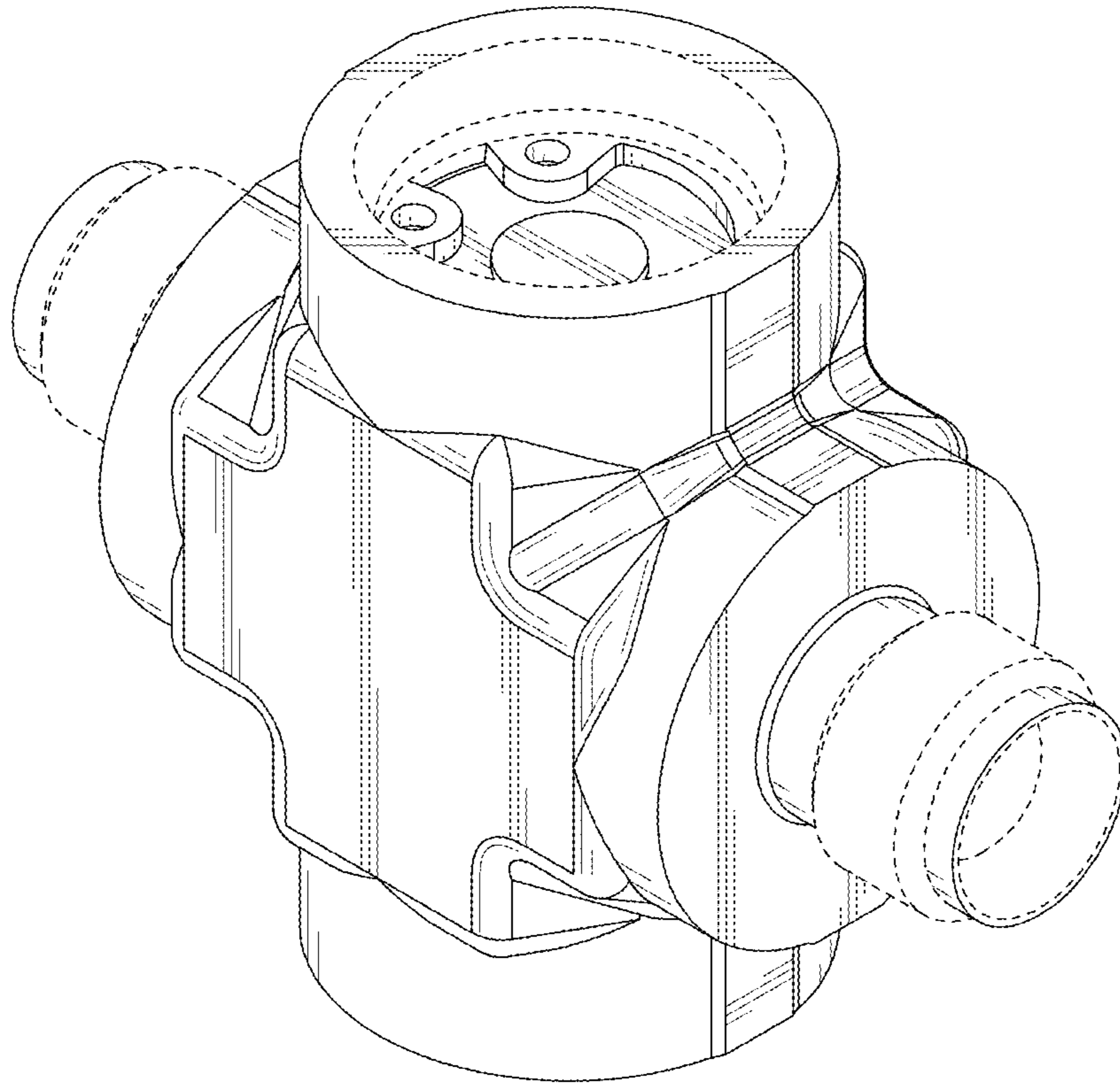


FIG. 1

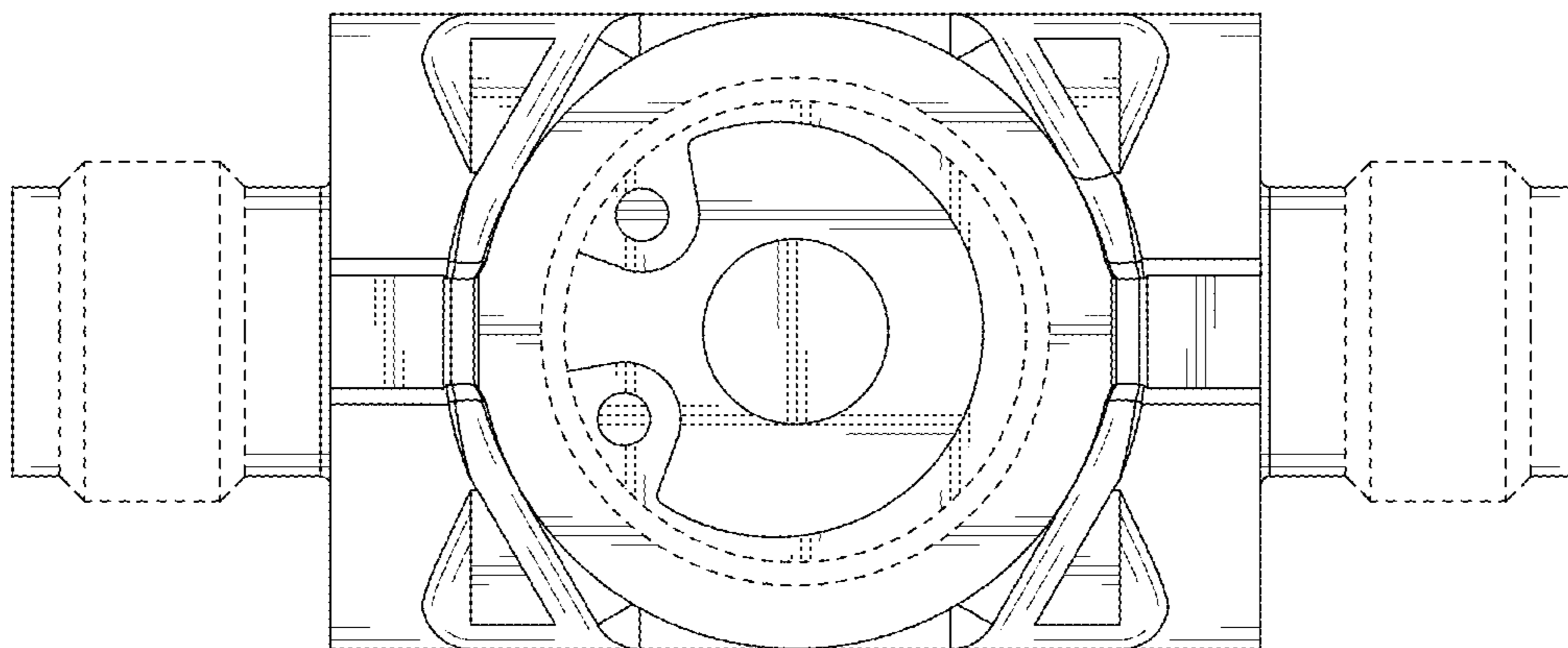


FIG. 2

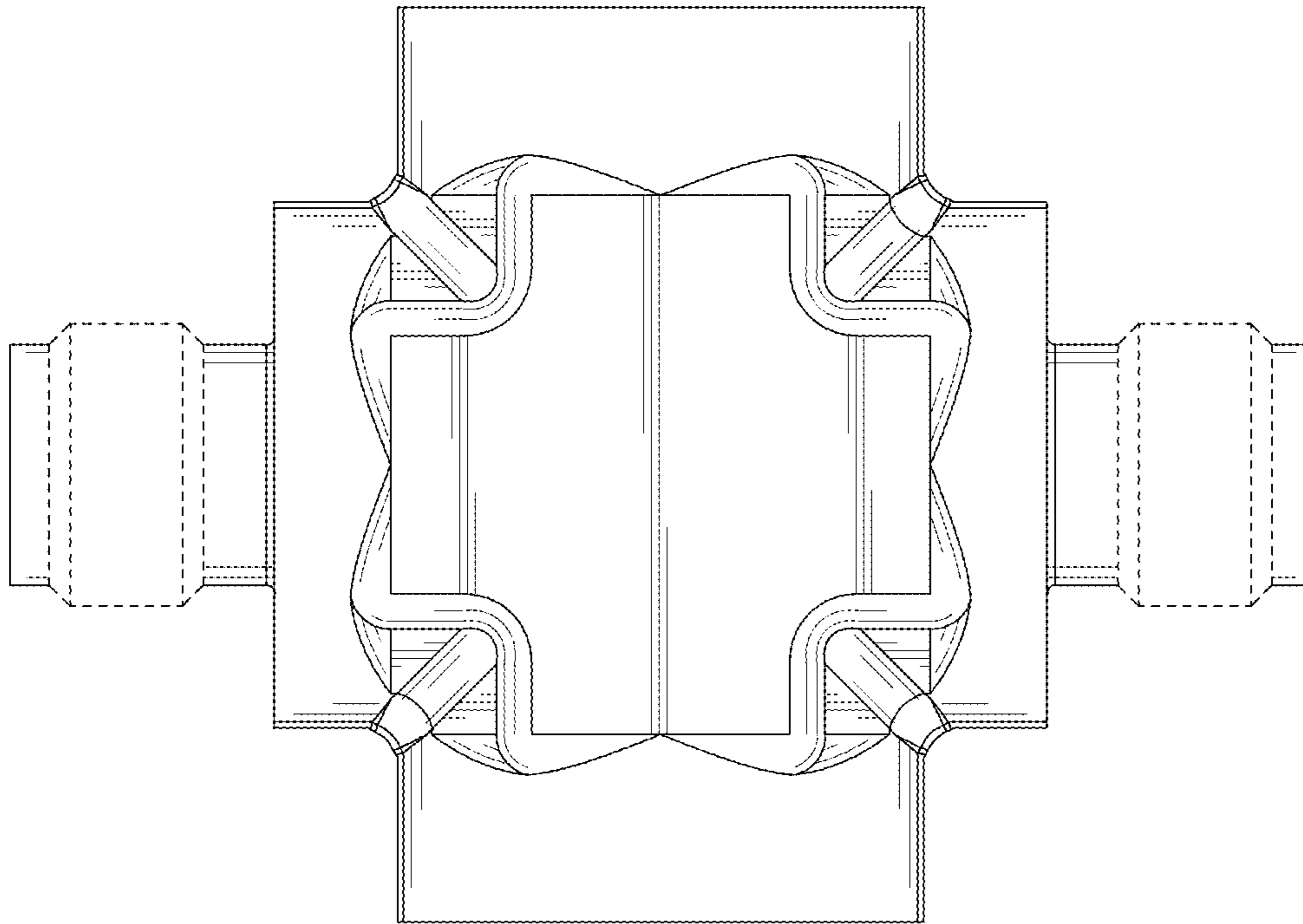


FIG. 3

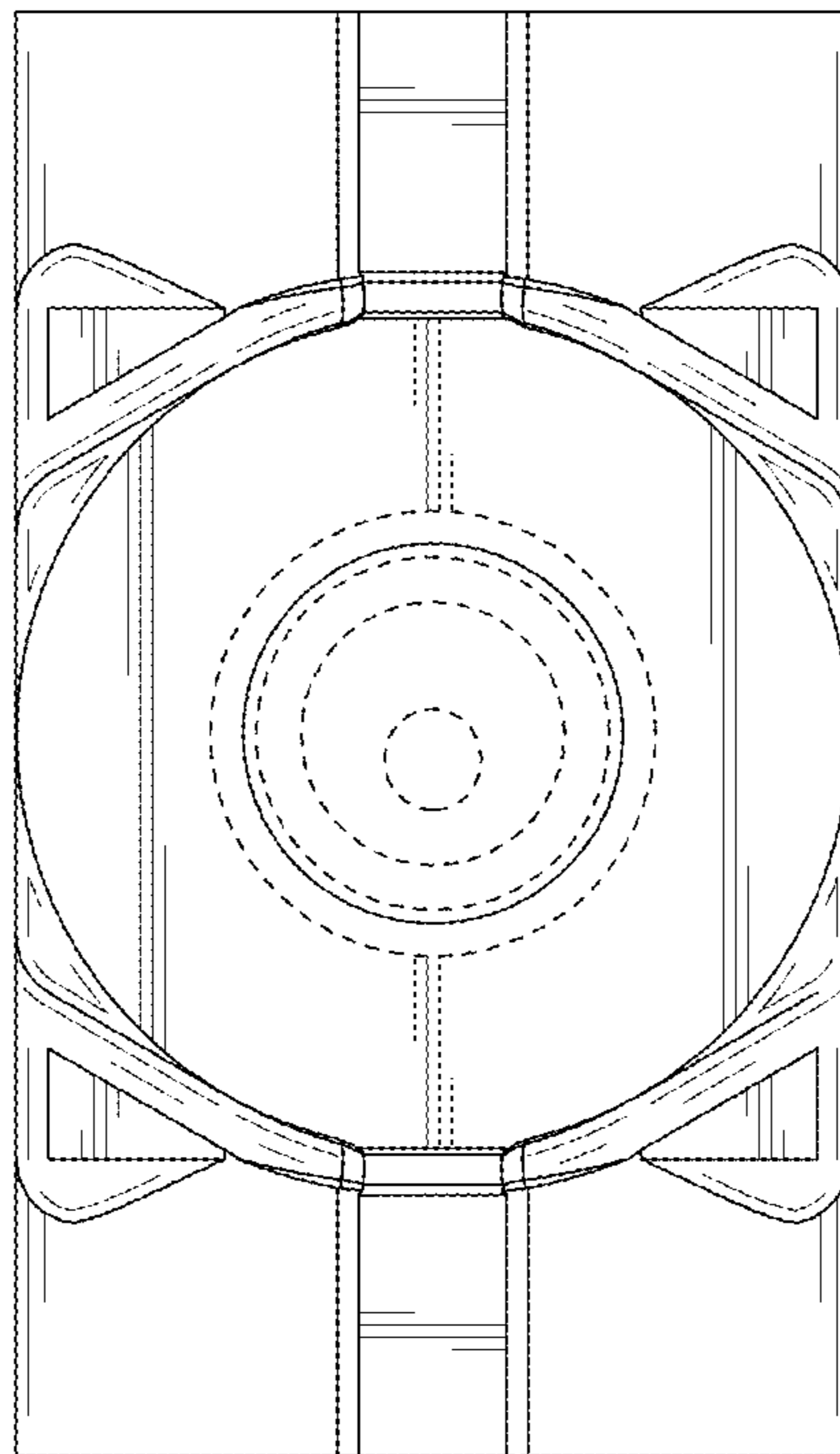


FIG. 4