



US00D882429S

(12) **United States Design Patent** (10) **Patent No.:** **US D882,429 S**
Huo (45) **Date of Patent:** **** Apr. 28, 2020**

(54) **RANGEFINDER** D574,276 S * 8/2008 Burkandt D10/70
 7,508,497 B2 * 3/2009 LaBelle G01C 3/08
 356/5.01
 (71) Applicant: **Liang Huo**, Guangdong (CN) D607,352 S * 1/2010 Hackenberg D10/70
 7,978,314 B2 * 7/2011 Henschel G01C 3/02
 356/4.01
 (72) Inventor: **Liang Huo**, Guangdong (CN) D670,582 S * 11/2012 Matuschek D10/70
 D673,062 S * 12/2012 Marzynski D10/70
 D692,329 S * 10/2013 Burkandt D10/70
 D692,330 S * 10/2013 Burkandt D10/70
 D797,583 S * 9/2017 Chou D10/70
 D799,349 S * 10/2017 Mathier D10/70
 D805,412 S * 12/2017 Lu D10/70
 D813,062 S * 3/2018 He G01C 3/02
 356/4.01
 (**) Term: **15 Years** 9,971,034 B2 * 5/2018 Gros G01S 17/08
 D861,516 S * 10/2019 Rao D10/70
 (21) Appl. No.: **29/671,197**
 (22) Filed: **Nov. 25, 2018**

(30) **Foreign Application Priority Data**
 Jul. 16, 2018 (CN) 2018 3 0380892
 (51) **LOC (12) Cl.** **10-04**
 (52) **U.S. Cl.** **D10/70**
 USPC **D10/70**
 (58) **Field of Classification Search**
 USPC D10/70
 CPC ... G01C 3/00; G01C 3/02; G01C 3/04; G01C
 3/06; G01C 3/08; G01C 3/085; G01C
 3/10; G01C 3/12; G01C 3/16; G01C
 3/14; G01C 3/18; G01C 3/20; G01C
 3/22; G01C 3/24; G01C 3/26; G01C
 3/28; G01C 3/30; G01C 3/32; G01C
 15/006; G01S 7/4813; G02B 23/16;
 G02B 23/165
 See application file for complete search history.

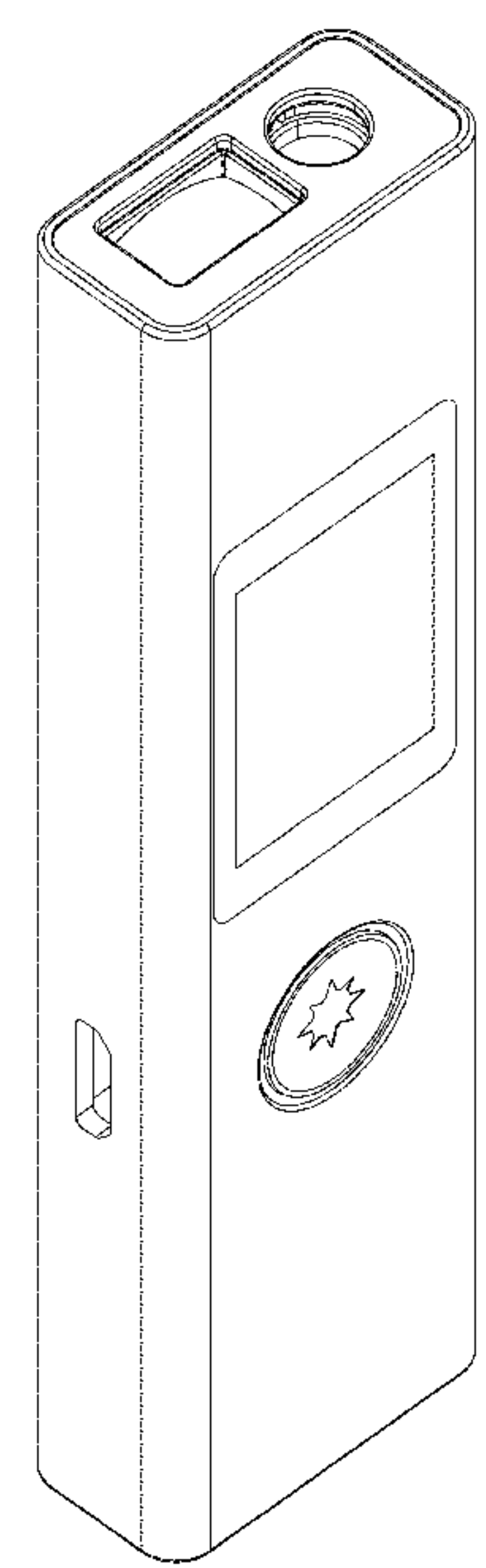
(56) **References Cited**
 U.S. PATENT DOCUMENTS
 D539,680 S * 4/2007 Liu D10/70
 7,221,435 B2 * 5/2007 Stierle G01C 3/08
 356/4.01

* cited by examiner
Primary Examiner — Antoine Duval Davis

(57) **CLAIM**
 The ornamental design for a rangefinder, as shown and described.

DESCRIPTION
 FIG. 1 is a perspective view of a rangefinder showing my new design;
 FIG. 2 is a front elevational view thereof;
 FIG. 3 is a rear elevational view thereof;
 FIG. 4 is a left side view thereof;
 FIG. 5 is a right side view thereof;
 FIG. 6 is a top plan view thereof; and,
 FIG. 7 is a bottom plan view thereof.
 The broken lines are included for the purpose of illustrating portions of the rangefinder that form no part of the claimed design.

1 Claim, 4 Drawing Sheets



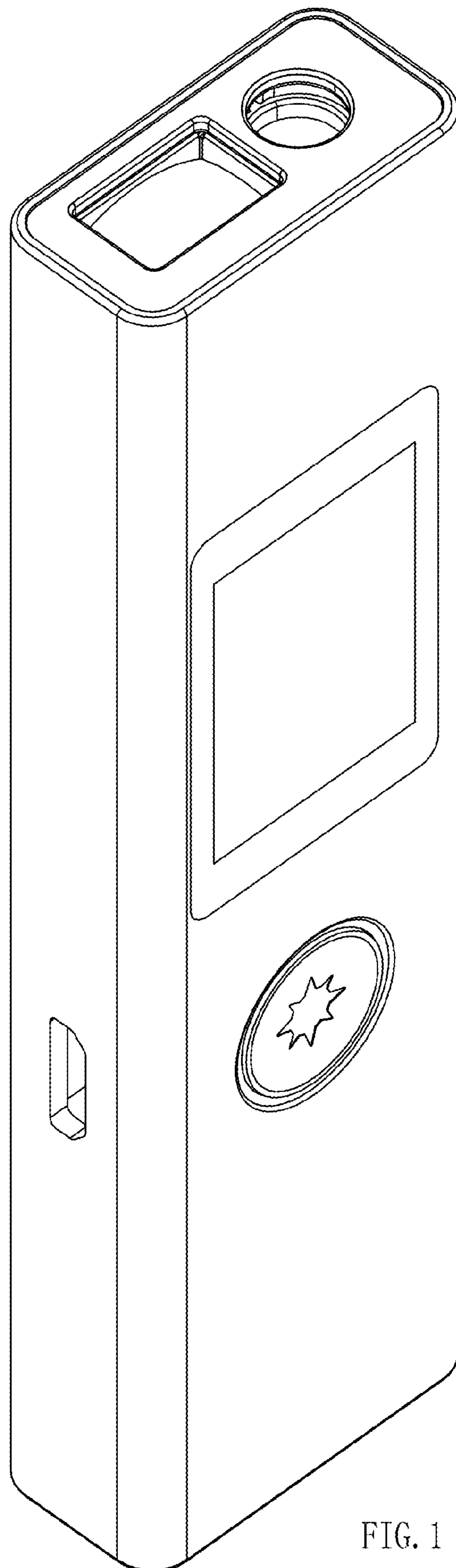


FIG. 1

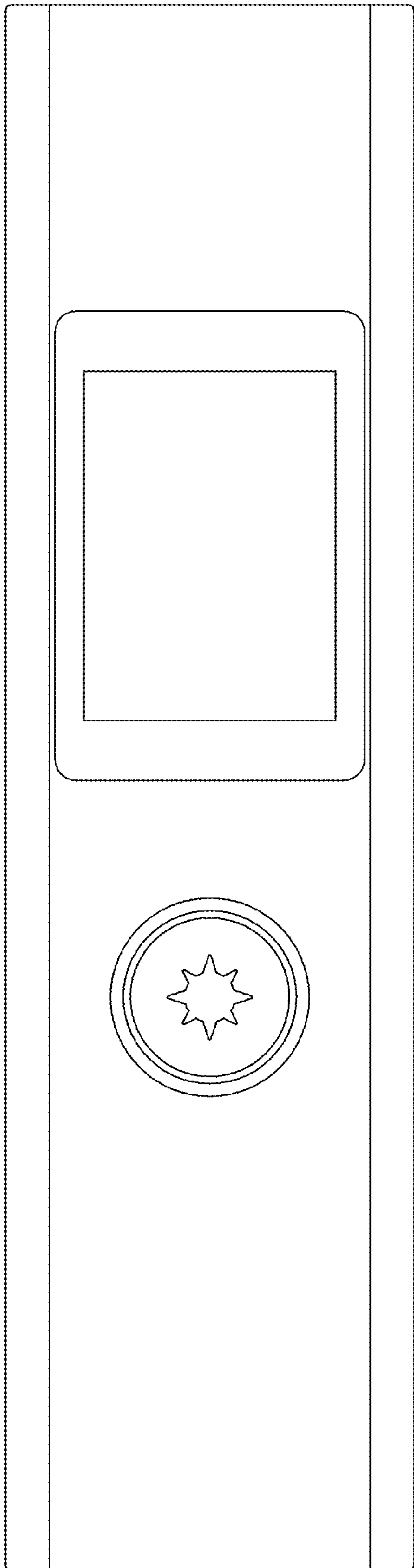


FIG. 2

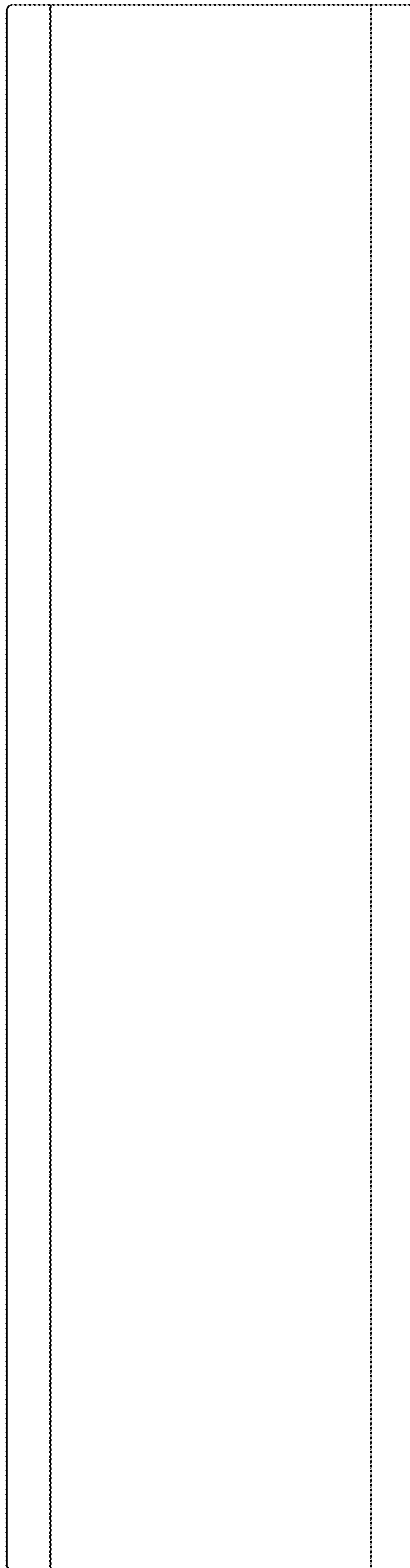


FIG. 3

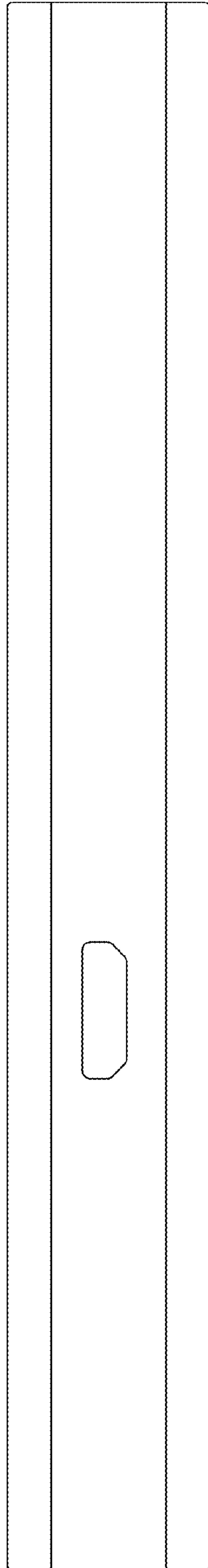


FIG. 4

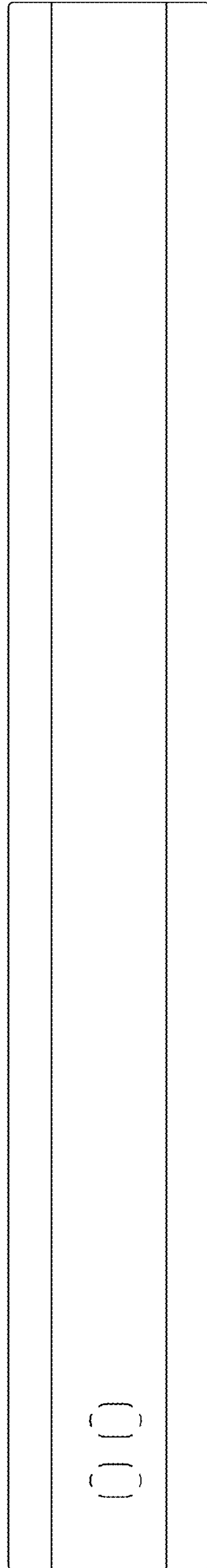


FIG. 5

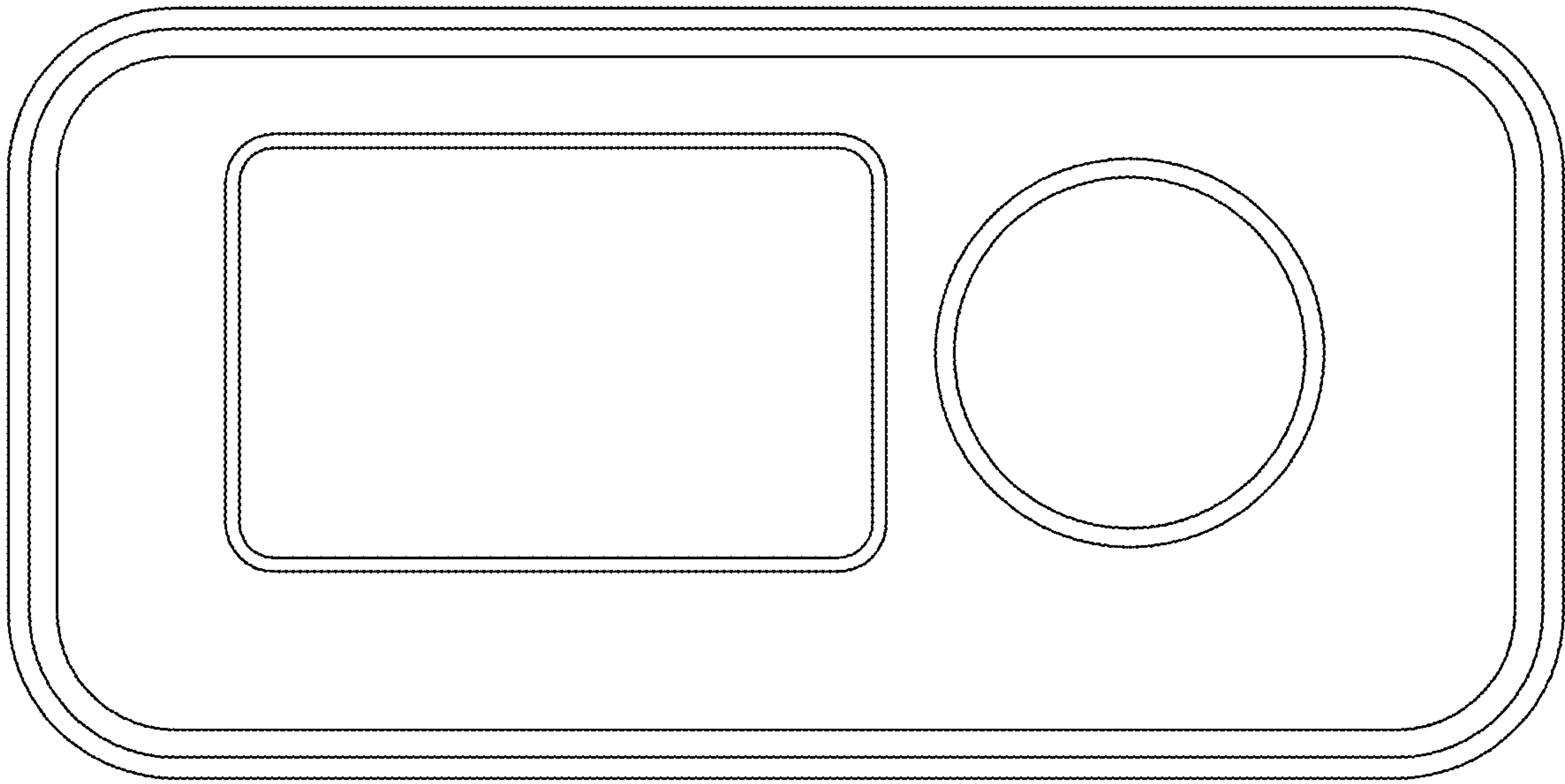


FIG. 6

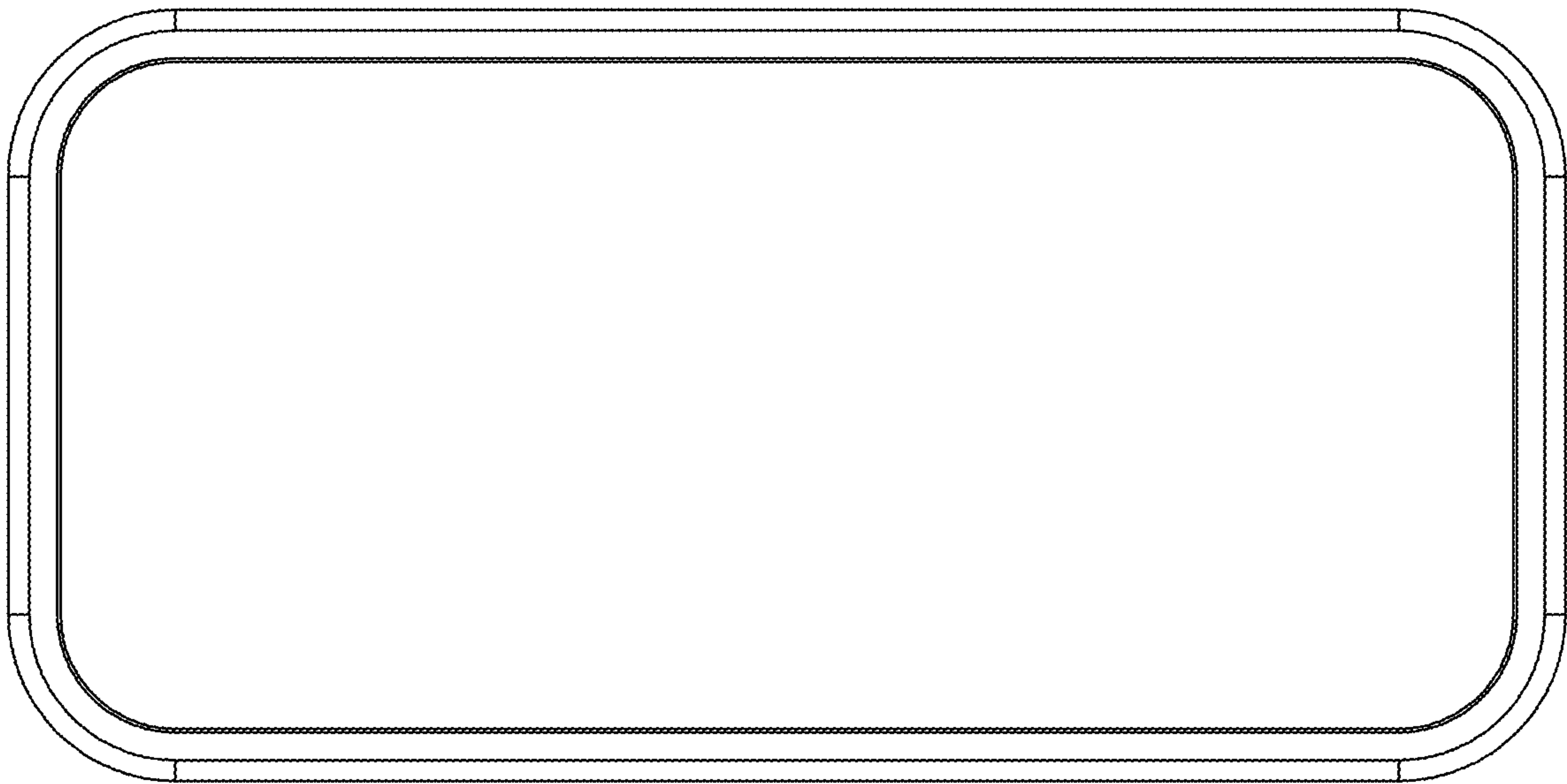


FIG. 7