



US00D882428S

(12) **United States Design Patent**  
**Nishiuchi et al.**

(10) **Patent No.:** **US D882,428 S**  
(45) **Date of Patent:** **\*\* Apr. 28, 2020**

(54) **PHOTOELECTRIC SENSOR**

(71) Applicant: **OMRON Corporation**, Kyoto-shi,  
Kyoto (JP)

(72) Inventors: **Satoshi Nishiuchi**, Takatsuki (JP);  
**Heita Nada**, Ritto (JP); **Tetsuya**  
**Fukumoto**, Kusatsu (JP); **Nobuchika**  
**Takiguchi**, Moriyama (JP)

(73) Assignee: **OMRON Corporation**, Kyoto (JP)

(\*\*) Term: **15 Years**

(21) Appl. No.: **29/669,319**

(22) Filed: **Nov. 7, 2018**

(30) **Foreign Application Priority Data**

Jun. 28, 2018 (JP) ..... 2018-014320

(51) **LOC (12) Cl.** ..... **10-04**

(52) **U.S. Cl.**  
USPC ..... **D10/70; D10/106.3**

(58) **Field of Classification Search**

USPC ..... D10/70, 106.3, 106.5; D13/165

CPC ..... G01B 11/00; G01B 11/002; G01B 11/005;

G01B 11/007; G01B 11/02; G01B

11/022; G01B 11/024; G01B 11/026;

G01B 11/028; G01B 11/03; G01B 11/04;

G01B 11/043; G01B 11/046; G01B

11/06; G01B 11/0608; G01B 11/0616;

G01B 11/0625; G01B 11/0633; G01B

11/0641; G01B 11/065; G01B 11/0658;

G01B 11/0666; G01B 11/0675; G01B

11/0683; G01B 11/0691; G01B 11/08;

G01B 11/10; G01B 11/105; G01B 11/12;

G01B 11/14; G01B 11/16; G01B 11/161;

G01B 11/162; G01B 11/164; G01B

11/165; G01B 11/167; G01B 11/18;

G01B 11/20; G01B 11/22; G01B 11/24;

G01B 11/2408; G01B 11/2416; G01B

11/2425; G01B 11/2433; G01B 11/2441;

G01B 11/245; G01B 11/25; G01B

11/2504; G01B 11/2509; G01B 11/2513;  
G01B 11/2518; G01B 11/2522; G01B  
11/2527; G01B 11/2531; G01B 11/2536;  
G01B 11/254; G01B 11/2545; G01B  
11/255; G01B 11/26; G01B 11/27; G01B  
11/272; G01B 11/275; G01B 11/2755;  
G01B 11/28; G01B 11/285; G01B 11/30;  
G01B 11/303; G01B 11/306; G01J 1/00;  
G01J 1/02; G01J

(Continued)

(56) **References Cited**

U.S. PATENT DOCUMENTS

5,740,693 A \* 4/1998 Tanaka ..... G01C 9/06  
73/293

7,550,208 B2 \* 6/2009 Ritz ..... C03C 17/004  
313/113

(Continued)

*Primary Examiner* — Antoine Duval Davis

(74) *Attorney, Agent, or Firm* — Capitol City TechLaw

(57) **CLAIM**

The ornamental design for a photoelectric sensor, as shown and described.

**DESCRIPTION**

FIG. 1 is a front, bottom, and left side perspective view of a photoelectric sensor showing our new design;

FIG. 2 is a rear, bottom, and right side perspective view thereof

FIG. 3 is a front view thereof;

FIG. 4 is a rear view thereof;

FIG. 5 is a left side view thereof;

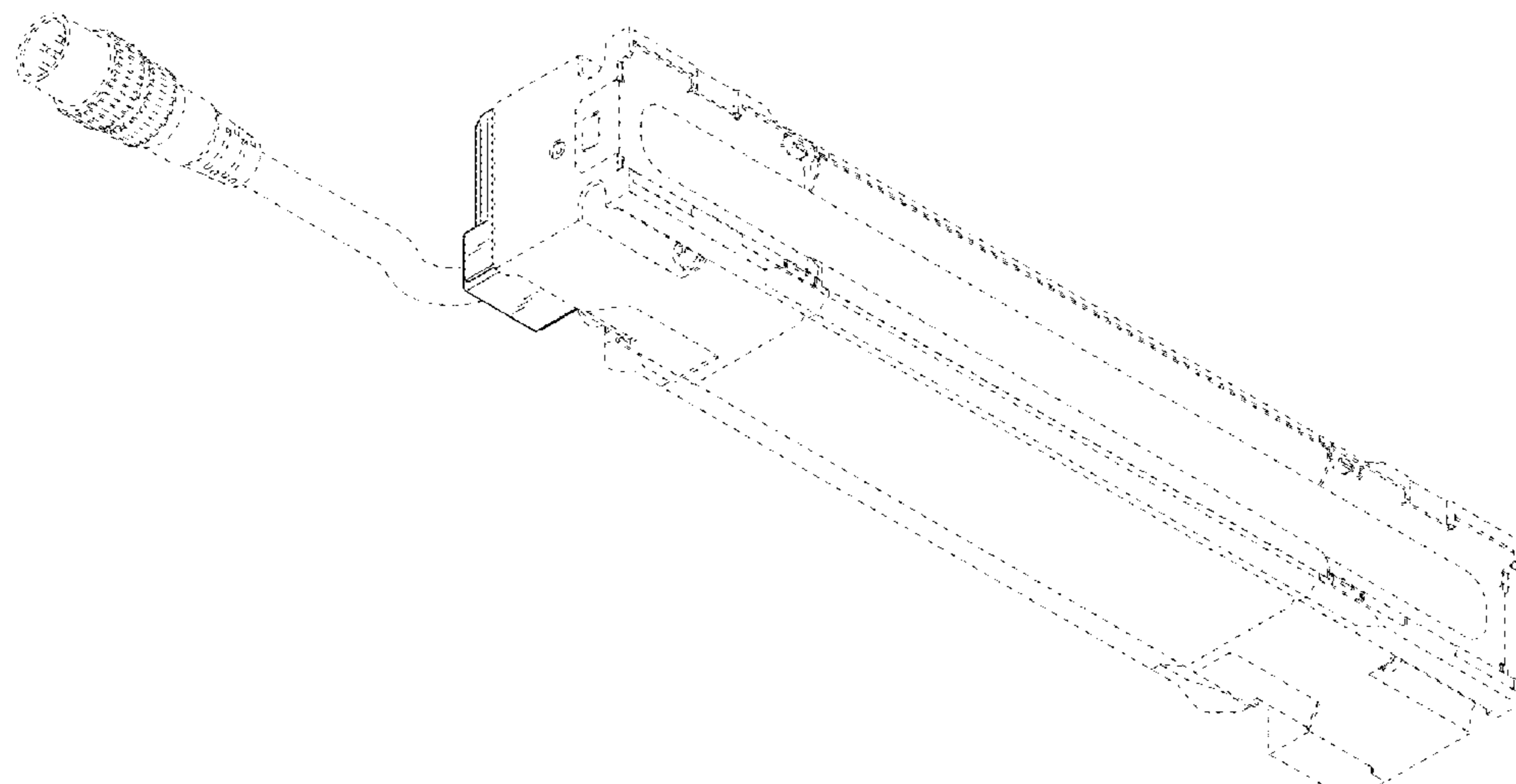
FIG. 6 is a right side view thereof

FIG. 7 is a top view thereof; and,

FIG. 8 is a bottom view thereof.

The broken lines in the figures show portions of the photoelectric sensor that form no part of the claimed design.

**1 Claim, 5 Drawing Sheets**



(58) **Field of Classification Search**

CPC ..... 1/0204; G01J 1/0209; G01J 1/0214; G01J  
1/0219; G01J 1/0223; G01J 1/0228; G01J  
1/0233; G01J 1/0238; G01J 1/0242; G01J  
1/0247; G01J 1/0252; G01J 2001/0257;  
G01J 2001/0261; G01J 1/0266; G01J  
1/0271; G01J 2001/028; G01J 2001/0285;  
G01J 1/029; G01J 1/0295; G01J 1/18;  
G01J 1/16; G01V 8/00; G01V 8/005;  
G01V 8/02; G01V 8/10; G01V 8/12;  
G01V 8/14; G01V 8/16; G01V 8/18;  
G01V 8/20; G01V 8/22; G01V 8/24;  
G01V 8/26; G01V 2014/9634; H03K  
17/9629; H03K 17/9631; H03K 17/9636;  
H03K 17/9638; H03K 2017/9634

See application file for complete search history.

(56) **References Cited**

U.S. PATENT DOCUMENTS

D625,632 S \* 10/2010 Takahara ..... D10/70  
D753,519 S \* 4/2016 Takenaka ..... G01C 9/06  
D10/106.1  
D769,745 S \* 10/2016 Takenaka ..... C03C 17/004  
D10/70

\* cited by examiner

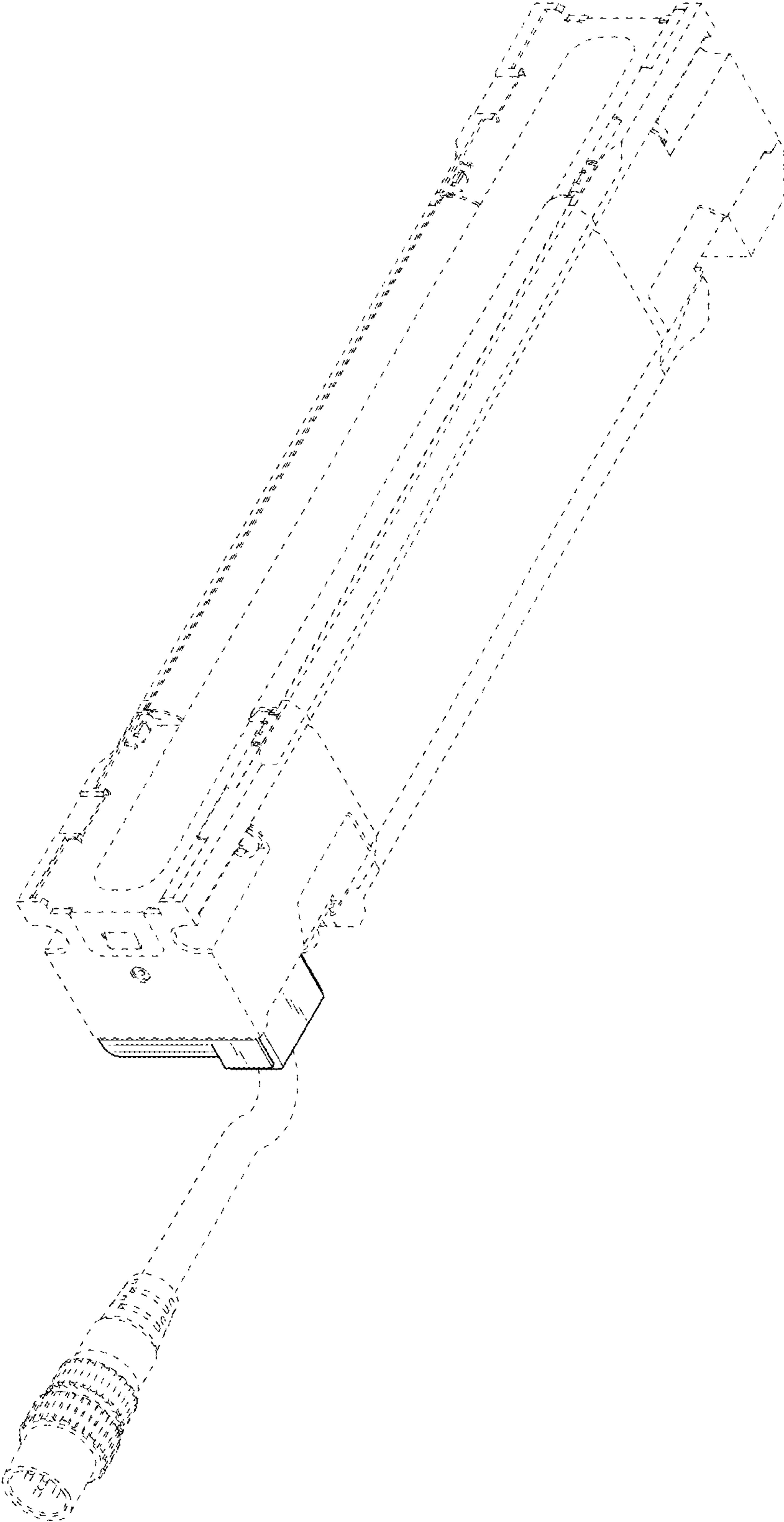


Fig. 1

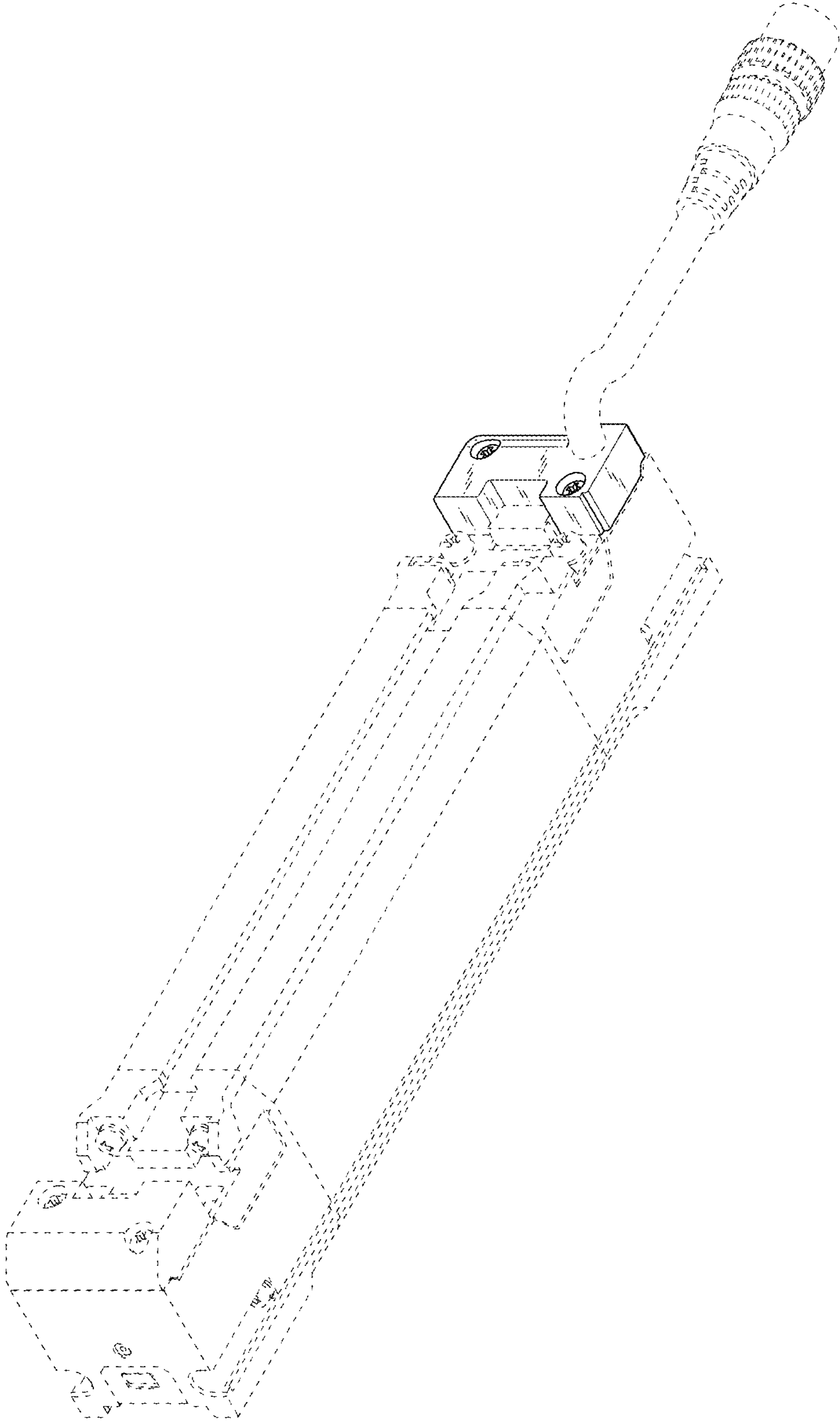


Fig. 2

Fig. 3

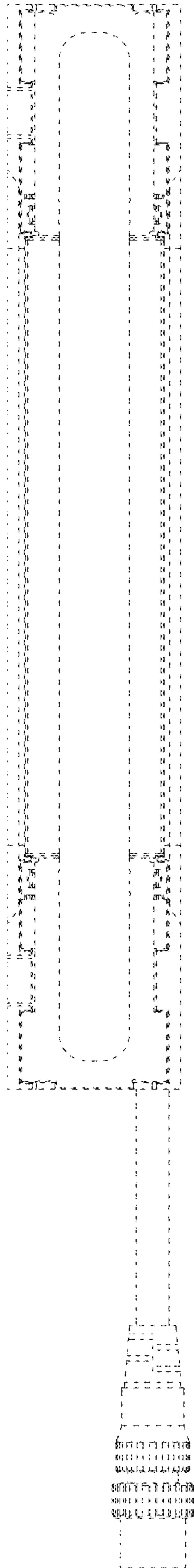
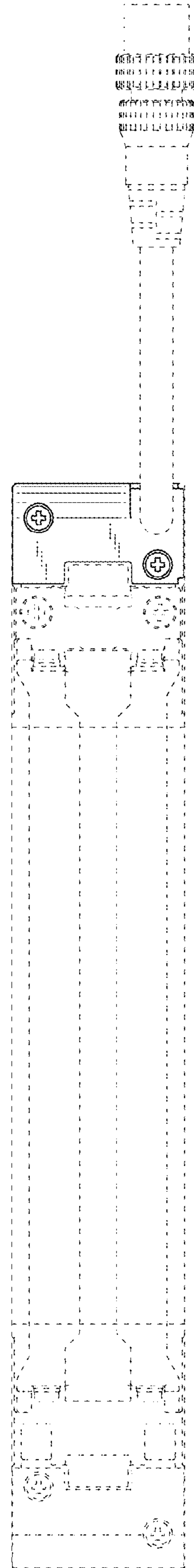


Fig. 4



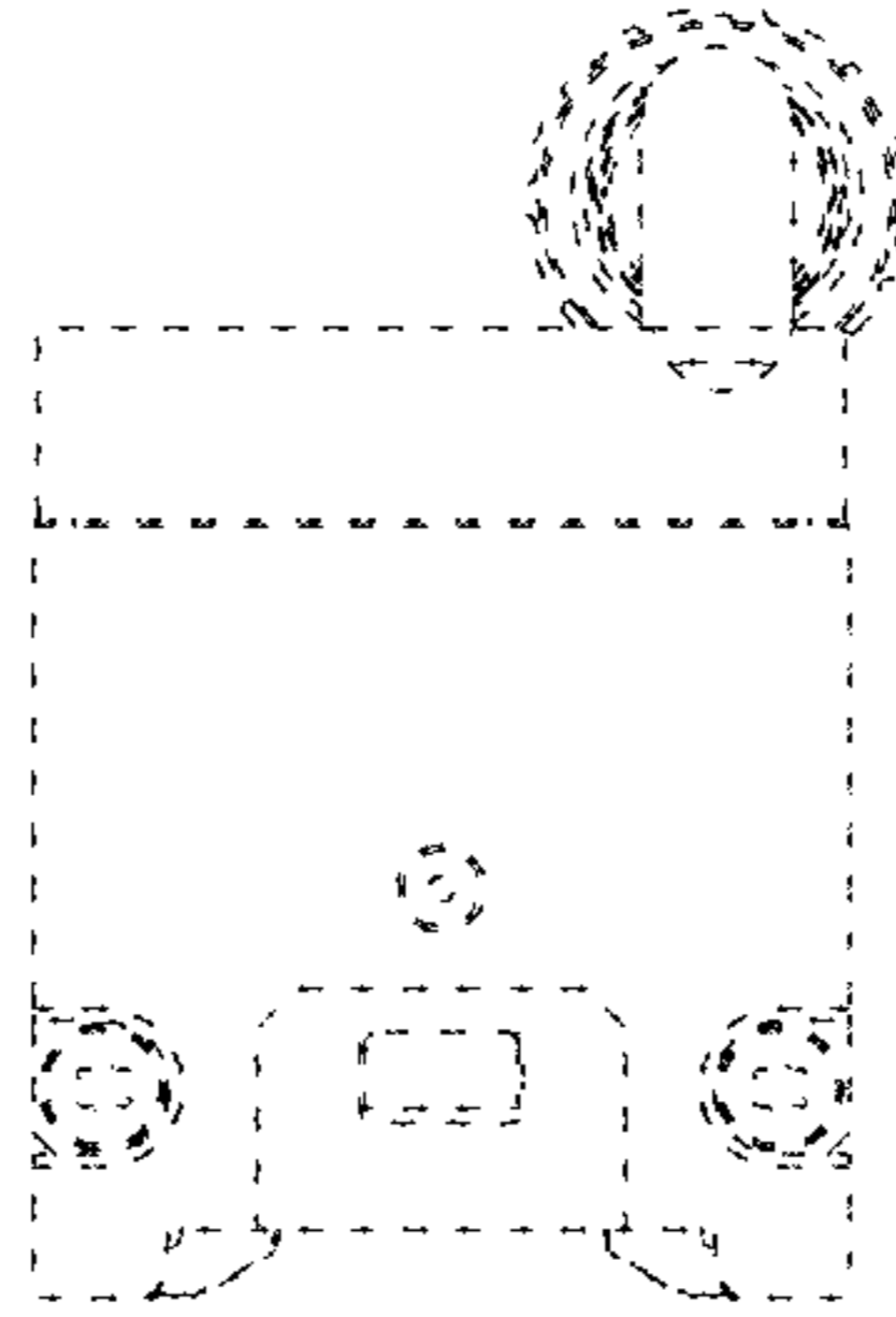


Fig. 6

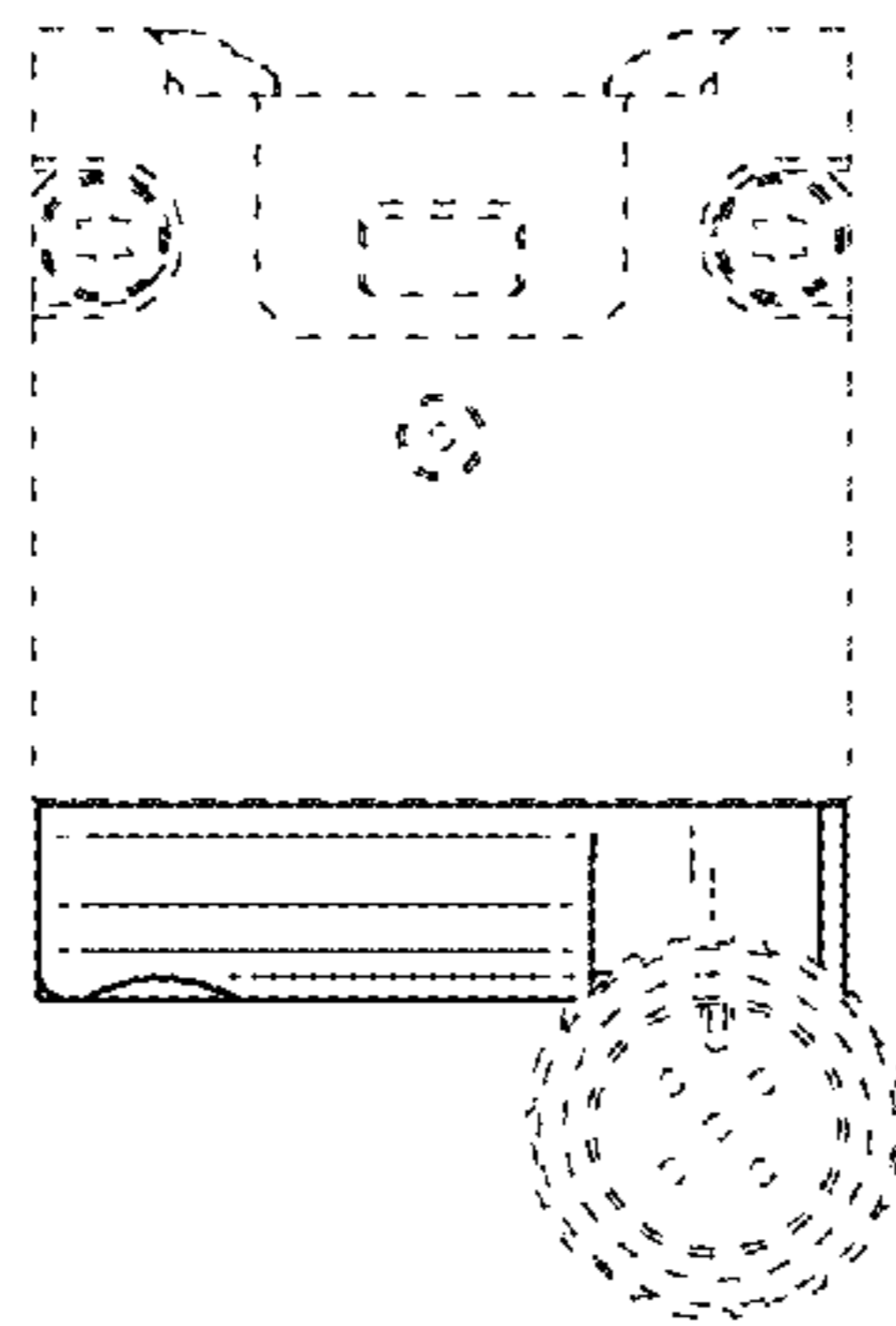


Fig. 5



Fig. 7

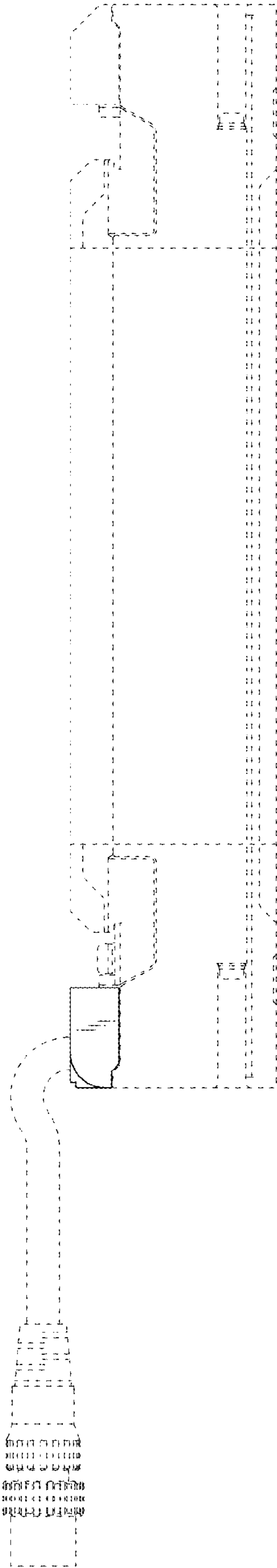


Fig. 8

