



US00D882426S

(12) **United States Design Patent** (10) **Patent No.:** **US D882,426 S**  
**Gross et al.** (45) **Date of Patent:** **\*\* Apr. 28, 2020**

(54) **INTEGRATED SENSOR ASSEMBLY**

(71) Applicant: **Waymo LLC**, Mountain View, CA (US)

(72) Inventors: **Jared Gross**, Belmont, CA (US); **Robert Veitch**, San Francisco, CA (US); **YooJung Ahn**, Mountain View, CA (US); **Zhaokun Wang**, Santa Ana, CA (US)

(73) Assignee: **Waymo LLC**, Mountain View, CA (US)

(\*\*) Term: **15 Years**

(21) Appl. No.: **29/663,579**

(22) Filed: **Sep. 17, 2018**

(51) **LOC (12) Cl.** ..... **10-04**

(52) **U.S. Cl.**  
USPC ..... **D10/65; D10/70; D12/187**

(58) **Field of Classification Search**  
USPC ..... **D10/65, 70; D12/187, 188**

(Continued)

(56) **References Cited**

**U.S. PATENT DOCUMENTS**

D250,332 S \* 11/1978 Aiga ..... D12/187  
D356,537 S \* 3/1995 Eisenbraun ..... D12/187

(Continued)

**FOREIGN PATENT DOCUMENTS**

WO 0145067 A1 6/2001

**OTHER PUBLICATIONS**

Krok, A., "Ford patent application cleverly hides lidar in side mirrors", Roadshow, Nov. 19, 2018, <https://www.cnet.com/roadshow/news/ford-patent-applicaiton-lidar-in-...>, retrieved from the Internet Nov. 20, 2018, 2 pages.

(Continued)

*Primary Examiner* — Antoine Duval Davis

(74) *Attorney, Agent, or Firm* — Botos Churchill IP Law

(57) **CLAIM**

The ornamental design for an integrated sensor assembly, as shown and described.

**DESCRIPTION**

FIG. 1 is a front perspective view of an integrated sensor assembly according to a first embodiment our design; FIG. 2 is a front elevation view thereof; FIG. 3 is a back elevation view thereof; FIG. 4 is a right side elevation view thereof; FIG. 5 is a left side elevation view thereof; FIG. 6 is a top plan view thereof; FIG. 7 is a bottom plan view thereof; FIG. 8 is a front perspective view of an integrated sensor assembly according to a second embodiment our design; FIG. 9 is a front elevation view thereof; FIG. 10 is a back elevation view thereof; FIG. 11 is a right side elevation view thereof; FIG. 12 is a left side elevation view thereof; FIG. 13 is a top plan view thereof; FIG. 14 is a bottom plan view thereof; FIG. 15 is a front perspective view of an integrated sensor assembly according to a third embodiment our design; FIG. 16 is a front elevation view thereof; FIG. 17 is a back elevation view thereof; FIG. 18 is a right side elevation view thereof; FIG. 19 is a left side elevation view thereof; FIG. 20 is a top plan view thereof; FIG. 21 is a bottom plan view thereof; FIG. 22 is a front view of an integrated sensor assembly according to the first embodiment positioned on a portion of an exemplary vehicle; and FIG. 23 is a front view of a pair of integrated sensor assemblies according to the first embodiment positioned on an exemplary vehicle. FIG. 24 is a front perspective view of an integrated sensor assembly according to a fourth embodiment our design; FIG. 25 is a front elevation view thereof; FIG. 26 is a back elevation view thereof; FIG. 27 is a right side elevation view thereof;

(Continued)

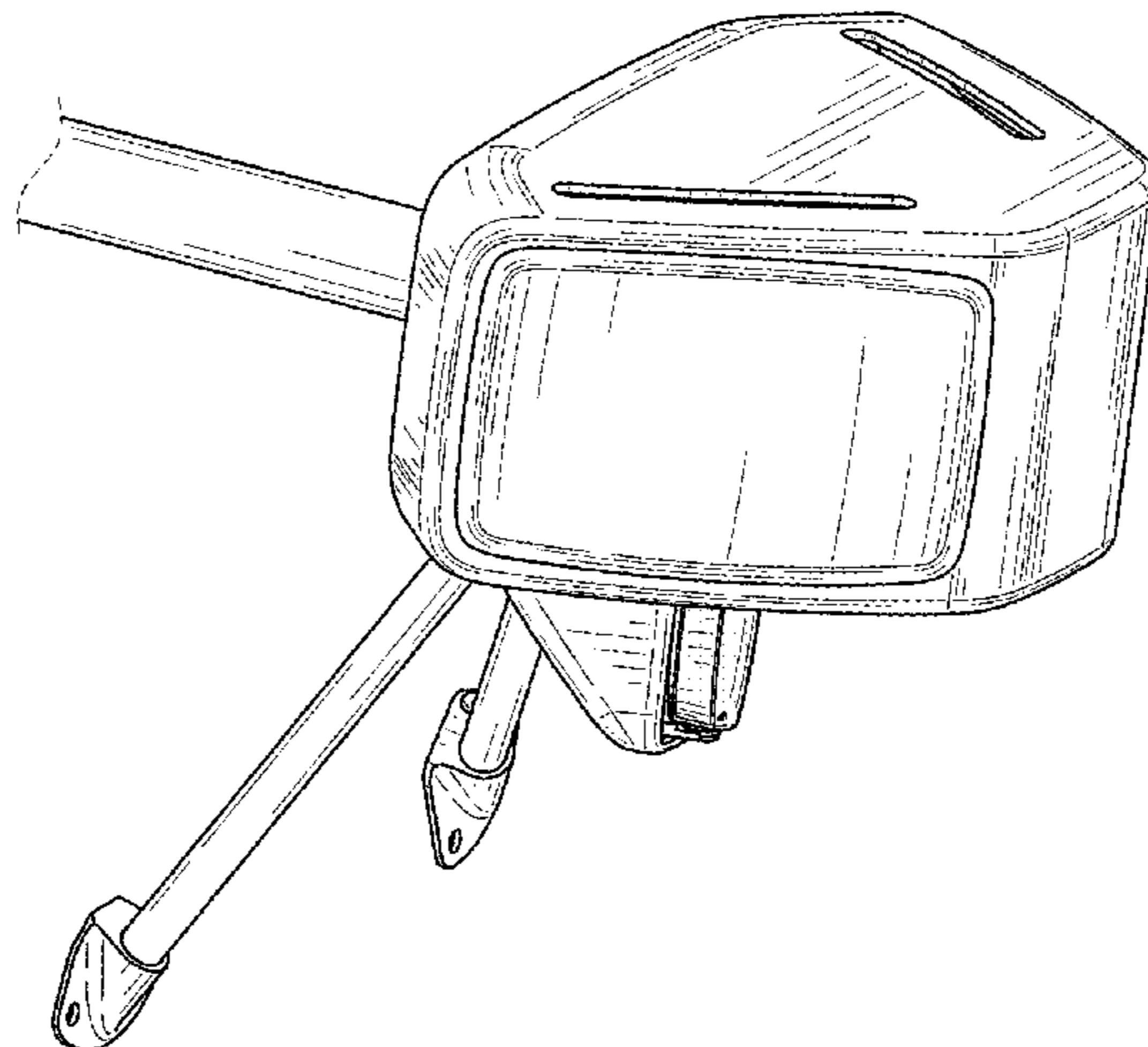


FIG. 28 is a left side elevation view thereof;  
 FIG. 29 is a top plan view thereof; and,  
 FIG. 30 is a bottom plan view thereof.

The broken lines illustrate portions of the integrated sensor assembly that form no part of the claimed design. The broken lines shown in FIGS. 22-23 illustrate portions of the exemplary vehicles form no part of the claimed design.

The specific placement of the integrated sensor assembly in FIG. 22 and the integrated sensor assemblies in FIG. 23 on the exemplary vehicles is for illustrative purposes only.

The portions in FIGS. 24-30 shown in a pattern of stipple illustrate areas of contrasting appearance.

**1 Claim, 18 Drawing Sheets**

(58) **Field of Classification Search**

CPC ..... G01S 7/4808; G01S 7/481; G01S 7/4813;  
 G01S 17/93; G01S 17/936; G08G 1/16;  
 B60R 1/12; B60R 1/074; B60R 1/072;  
 B60R 1/06; B60R 1/003; B60R 1/00;  
 B60R 1/0605; B60R 1/0607; B60R  
 1/0612; B60R 11/04; B60R 11/0258;  
 B60R 11/0264; B60R 2001/1223; B60R  
 2011/004; B62D 15/00; B62D 15/024

See application file for complete search history.

(56)

**References Cited**

U.S. PATENT DOCUMENTS

D375,070	S	*	10/1996	Yeabower	.....	D12/187
6,229,434	B1		5/2001	Knapp et al.		
6,592,230	B2		7/2003	Dupay		
D636,308	S	*	4/2011	Reimchen	.....	D12/187
8,602,573	B2		12/2013	Brester		
9,566,911	B2		2/2017	Greenwood et al.		
9,625,582	B2		4/2017	Gruver et al.		
D815,577	S	*	4/2018	Chiang	.....	D12/187
2014/0063231	A1		3/2014	Brester		
2017/0158136	A1		6/2017	Garcia Solache		
2017/0210297	A1		7/2017	Kim		
2018/0329036	A1		11/2018	Huebner et al.		

OTHER PUBLICATIONS

Delphi Rear and Side Detection System, [www.delphi.com](http://www.delphi.com), retrieved from the Internet Nov. 20, 2017.

Delphi Integrated Radar and Camera System Racam, [www.delphi.com](http://www.delphi.com), retrieved from the Internet Nov. 20, 2017.

Safety Technologies for Heavy Vehicles and Combinations, Transport for NSW, [transport.nsw.gov.au](http://transport.nsw.gov.au), Cat. No. 45094061, Jun. 2017.  
 Nyberg, "Stabilization Sensor Fusion and Path Following for Autonomous Reversing of a Full-scale Truck and Trailer System," Department of Electrical Engineering, Linköping University, 2016.

International Search Report and Written Opinion for Application No. PCT/US2018/066808 dated Mar. 28, 2019.

\* cited by examiner

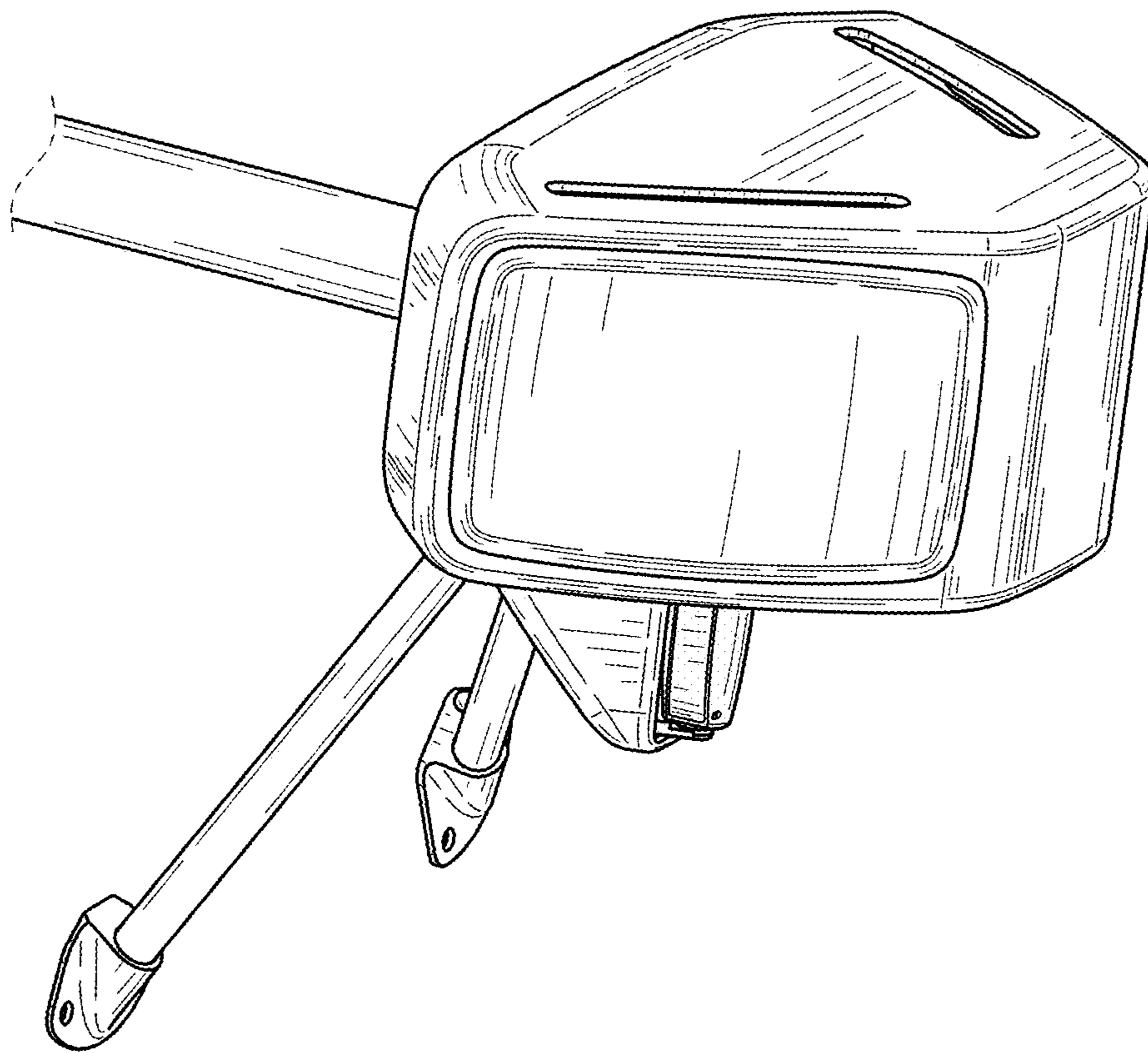


FIG. 1



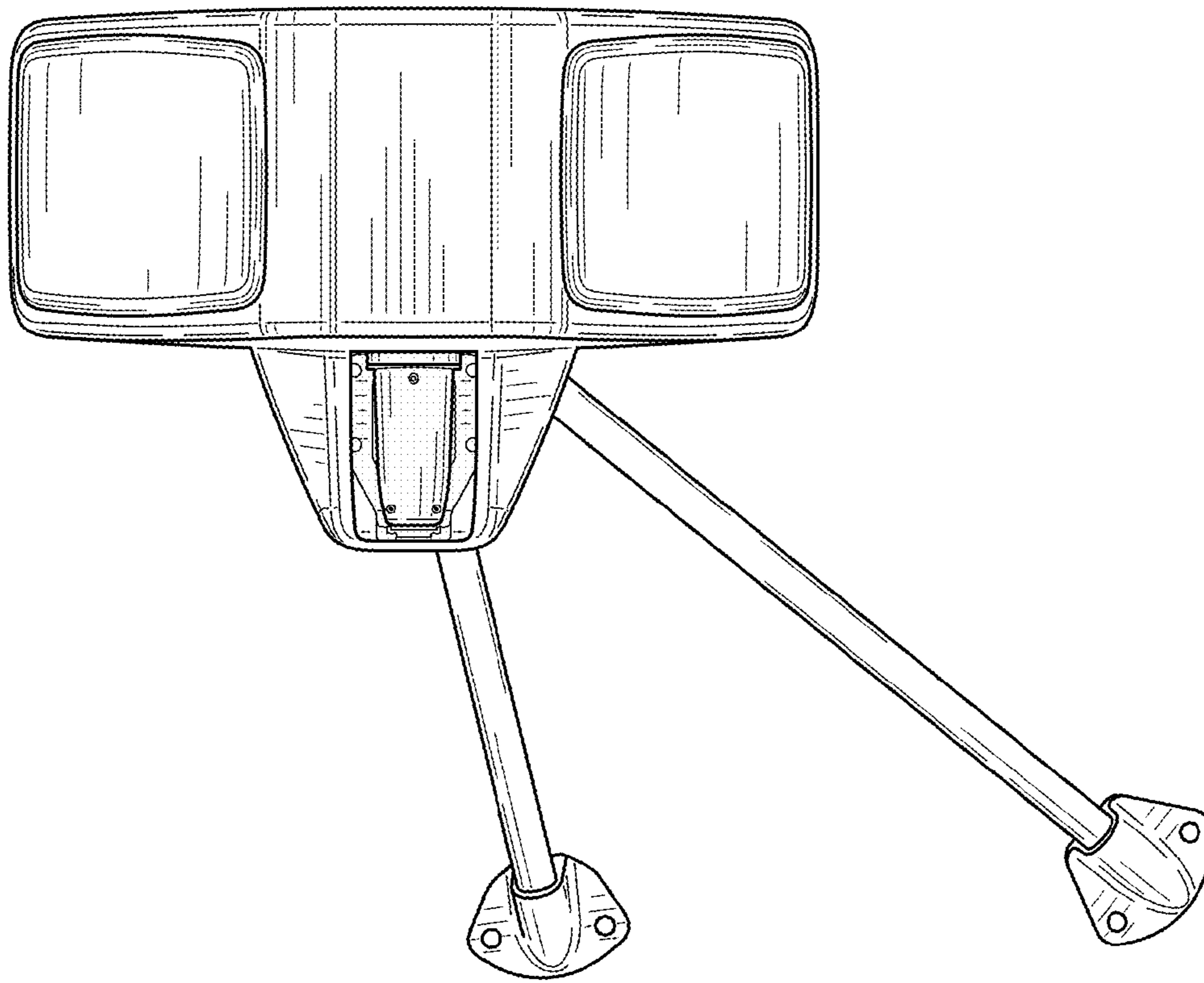


FIG. 2

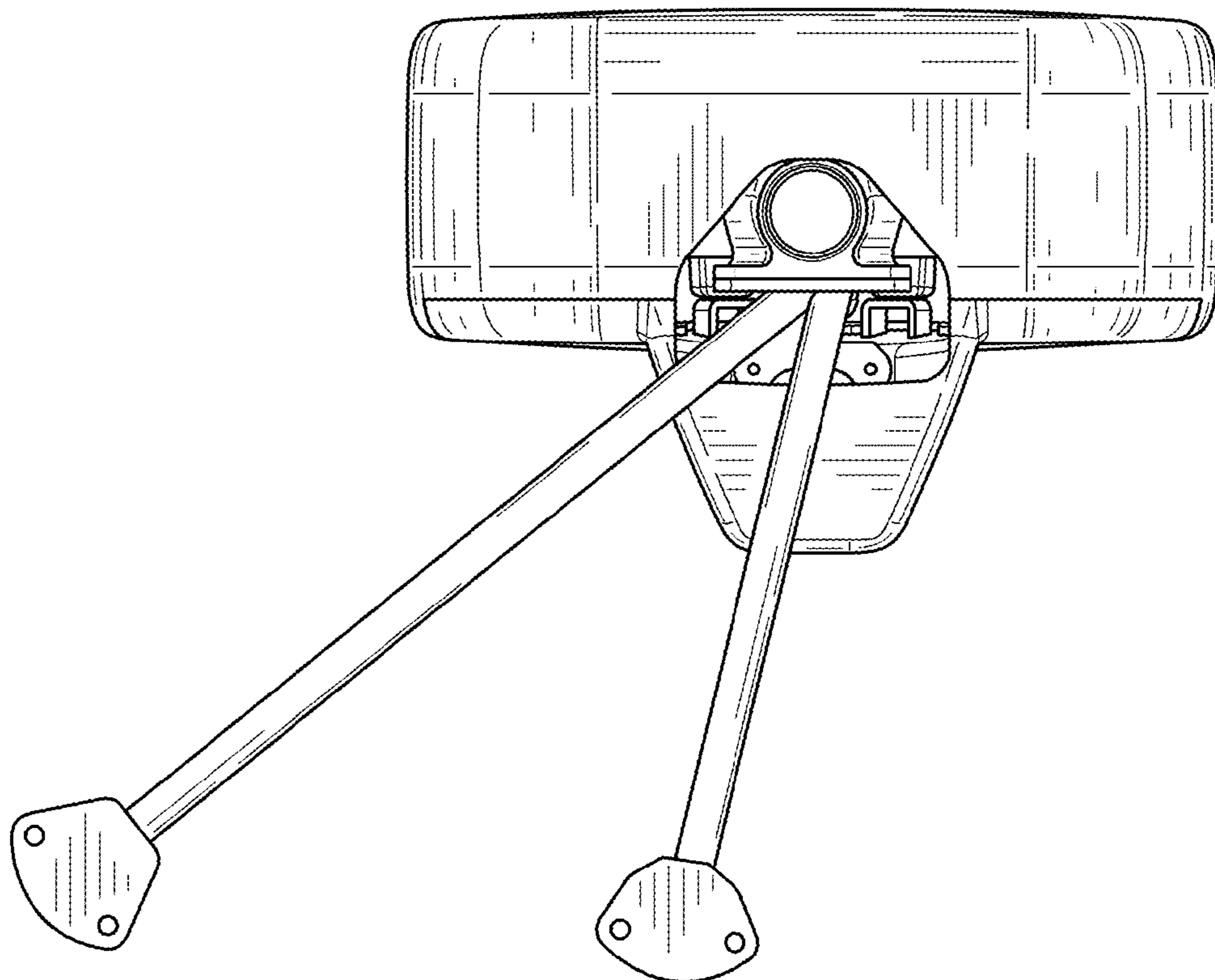


FIG. 3

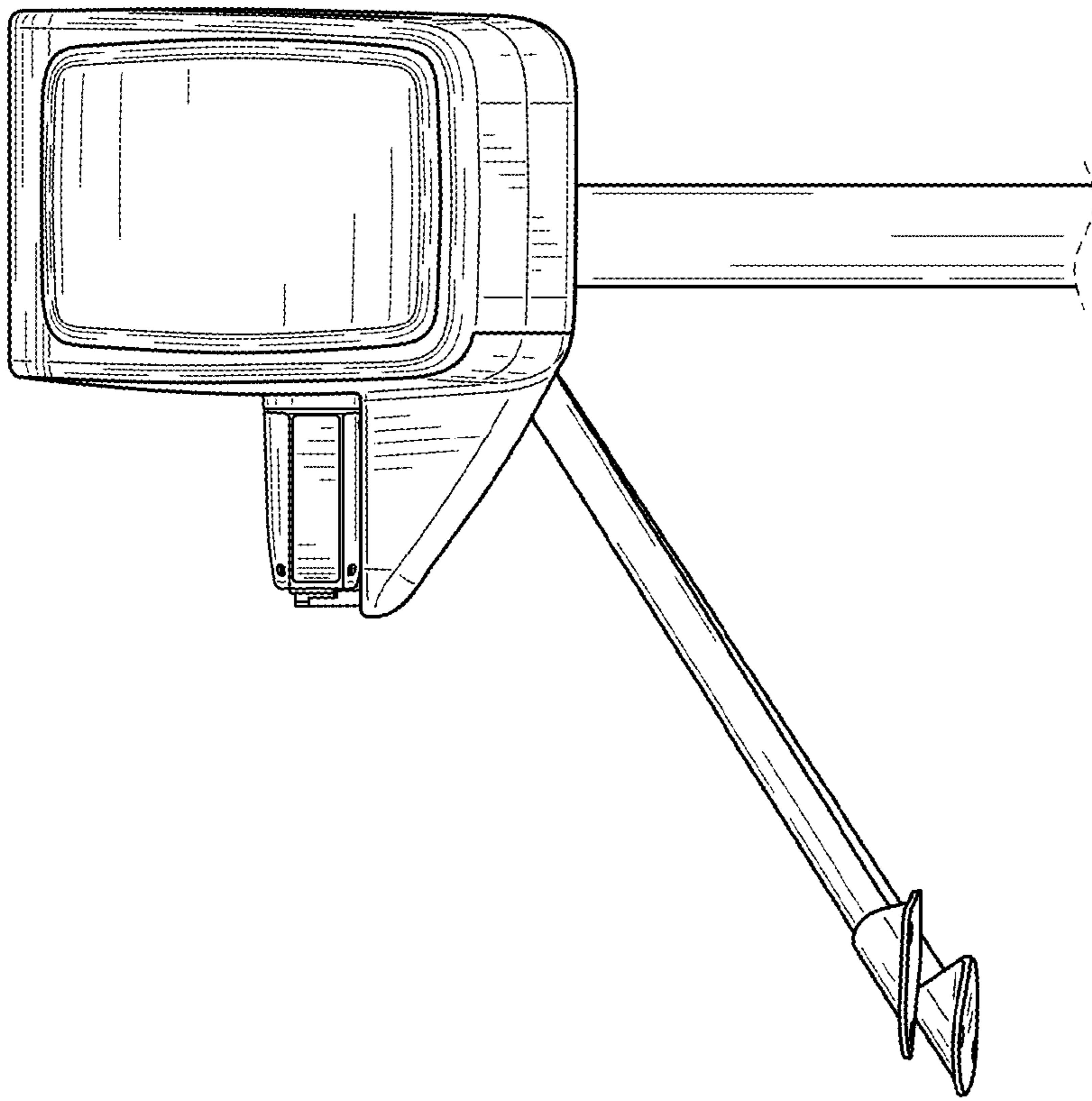


FIG. 4

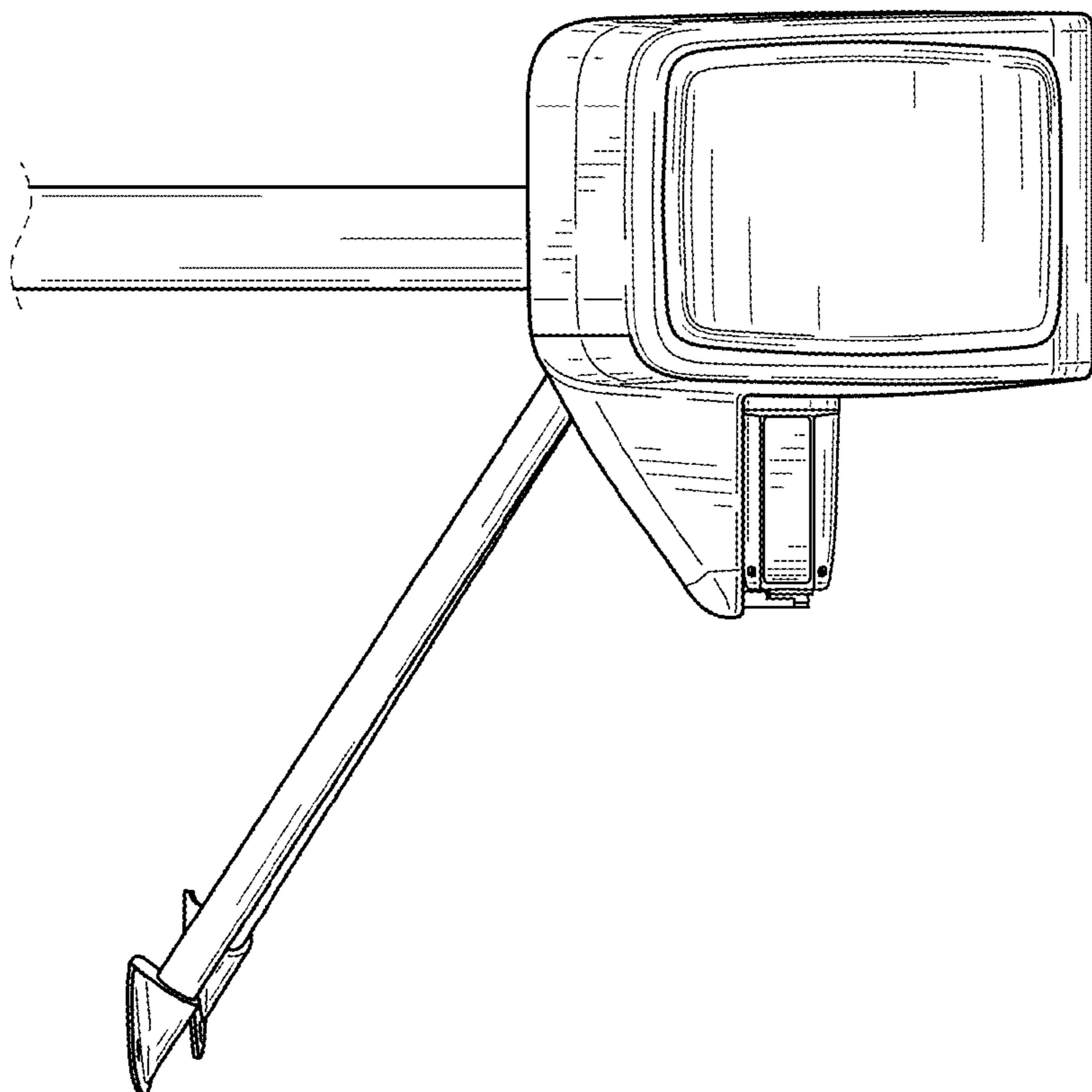


FIG. 5

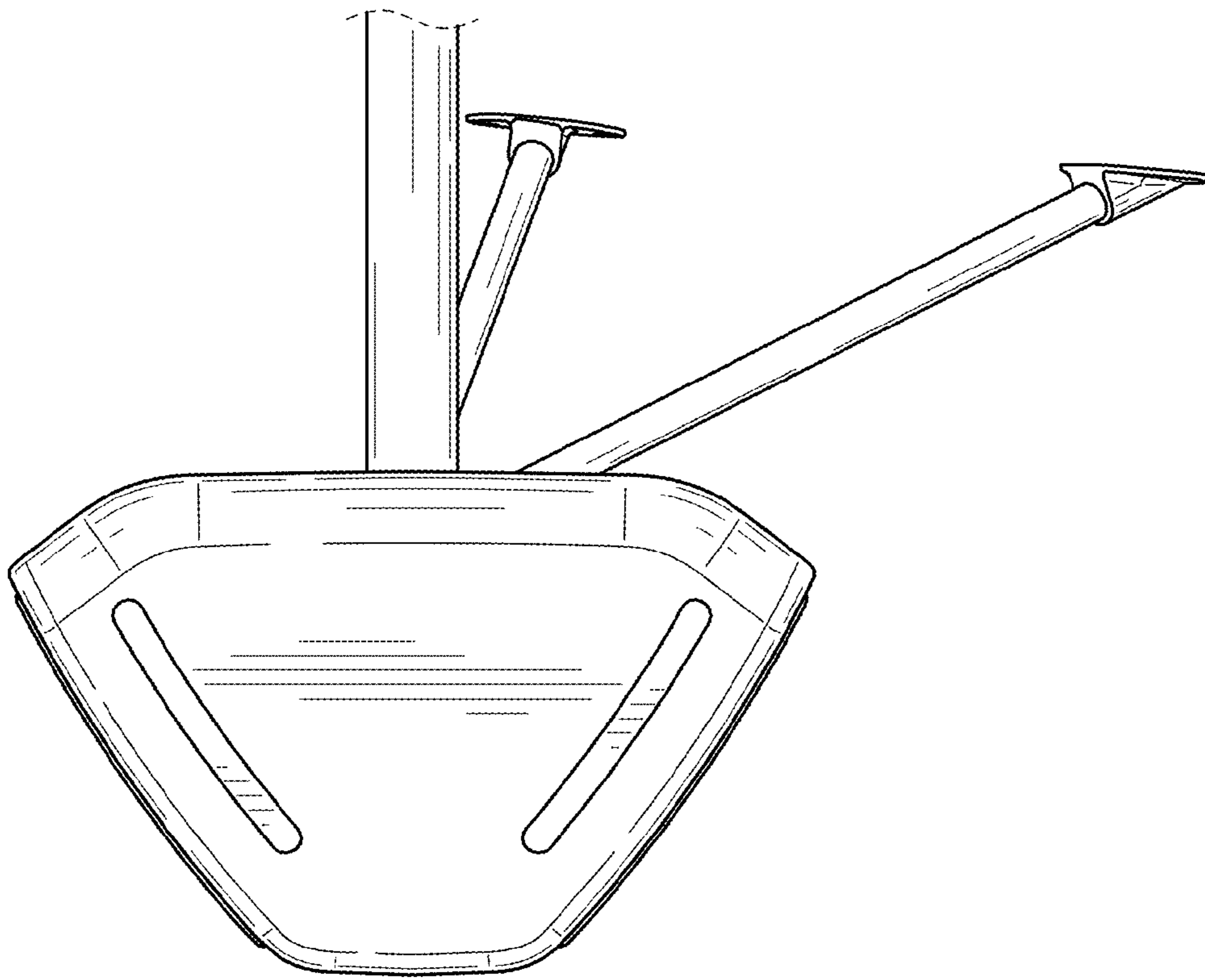


FIG. 6

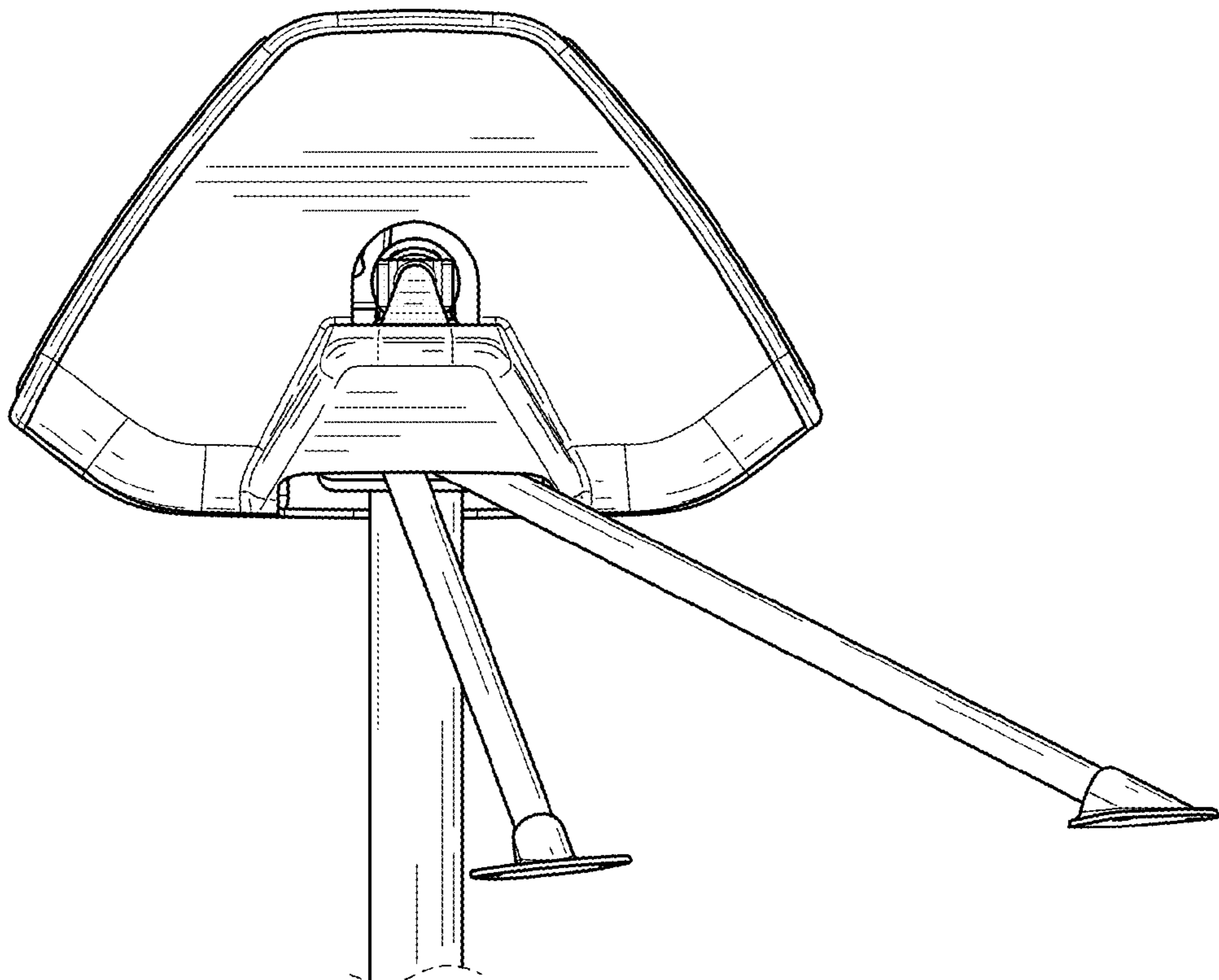


FIG. 7

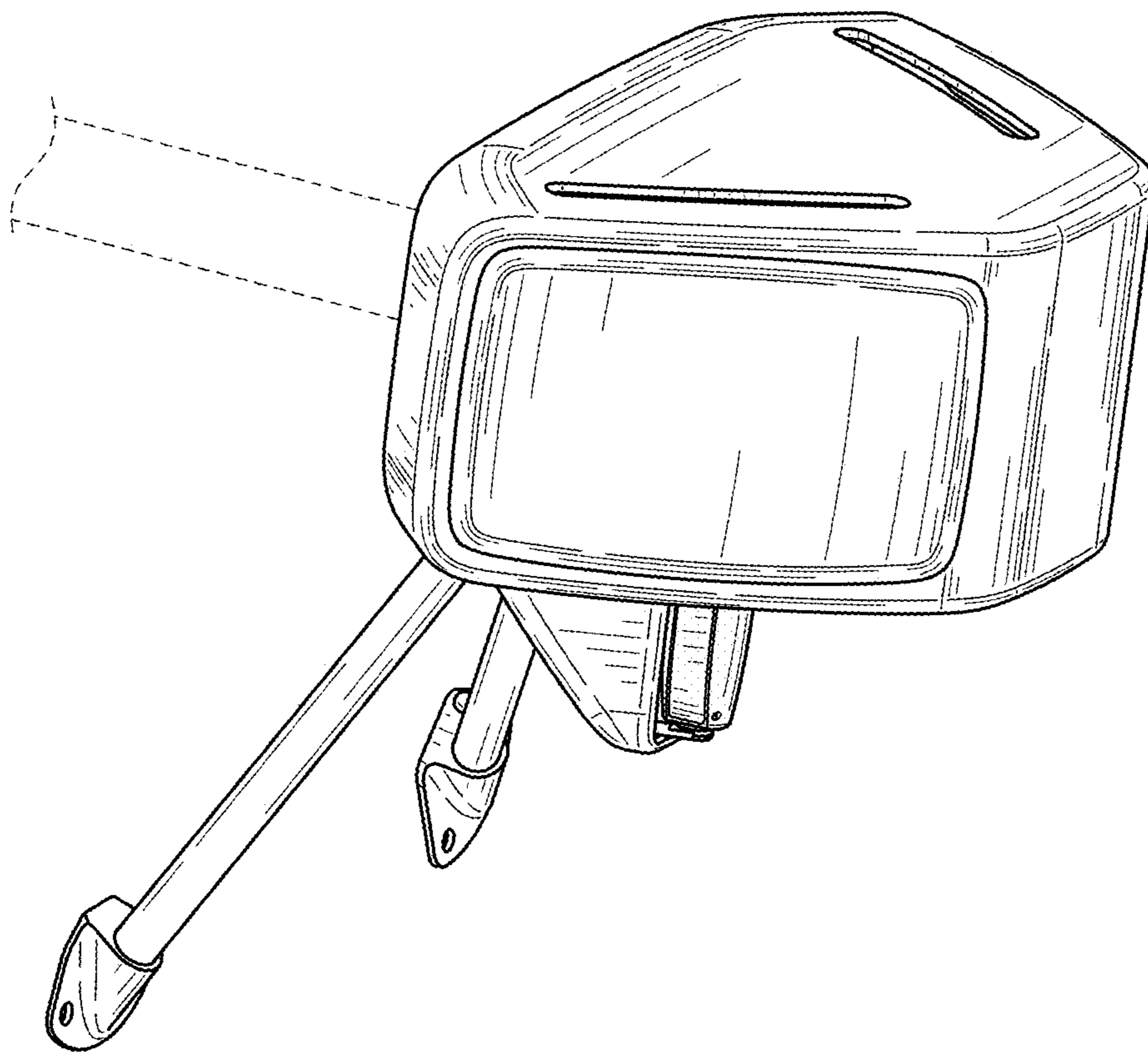


FIG. 8



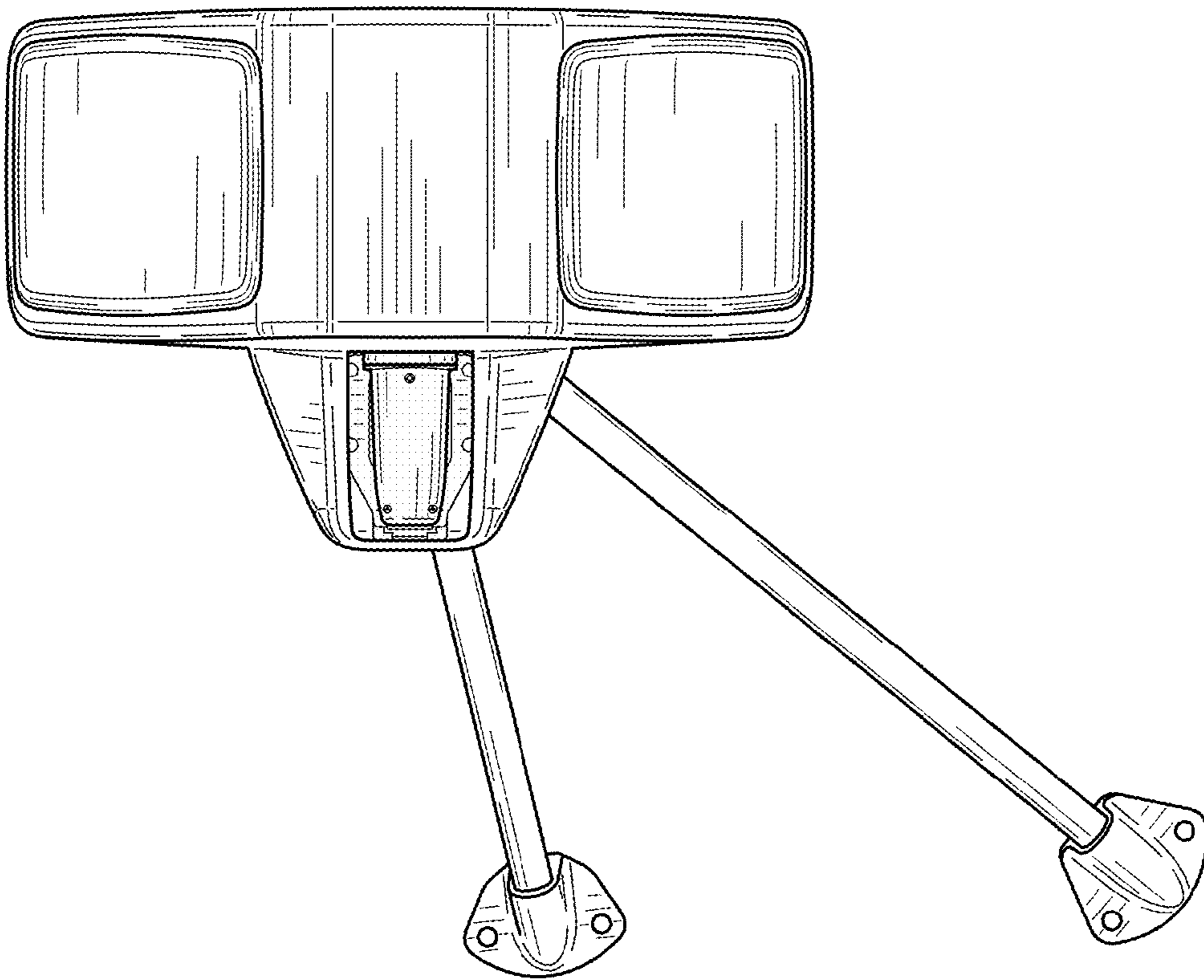


FIG. 9

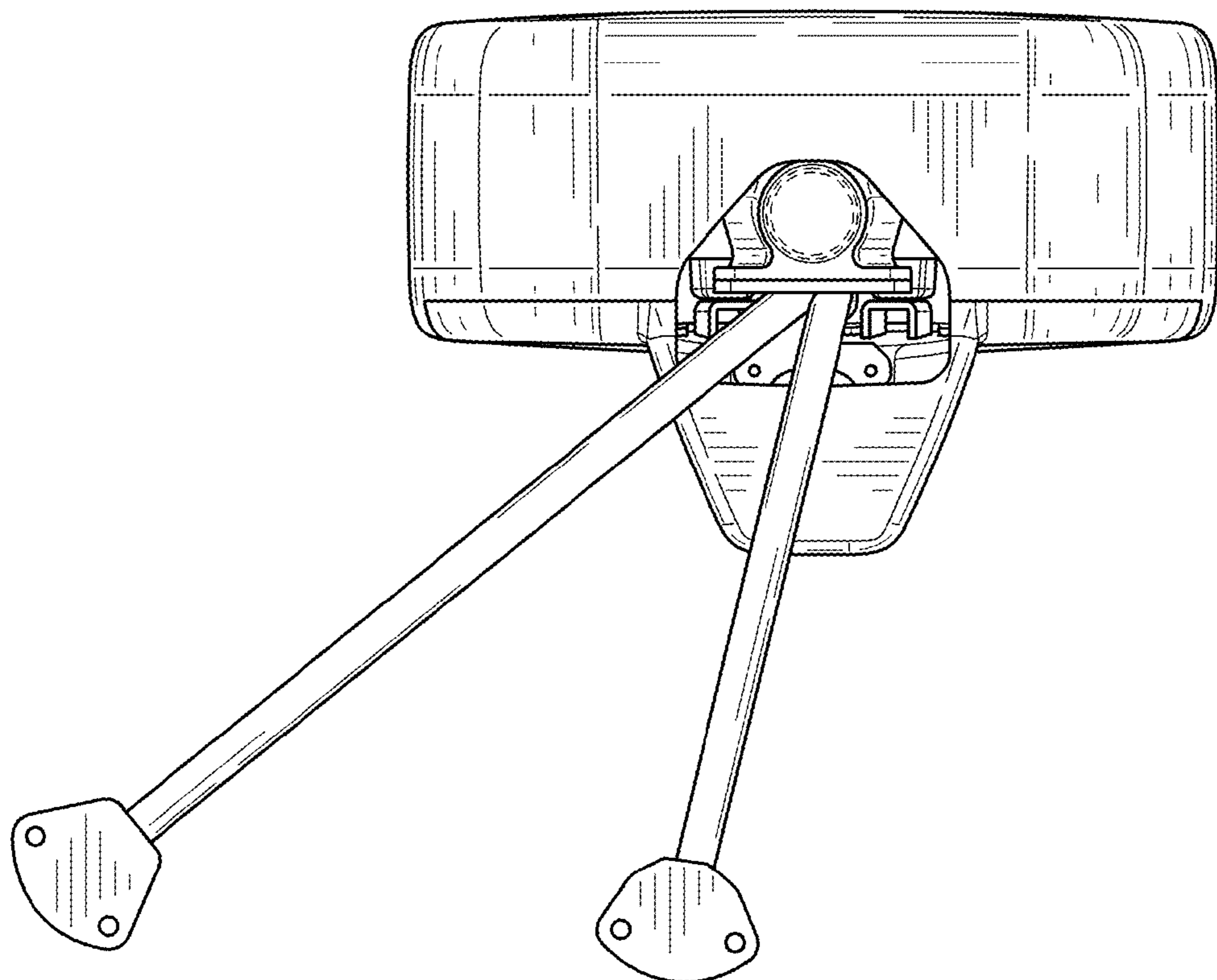


FIG. 10



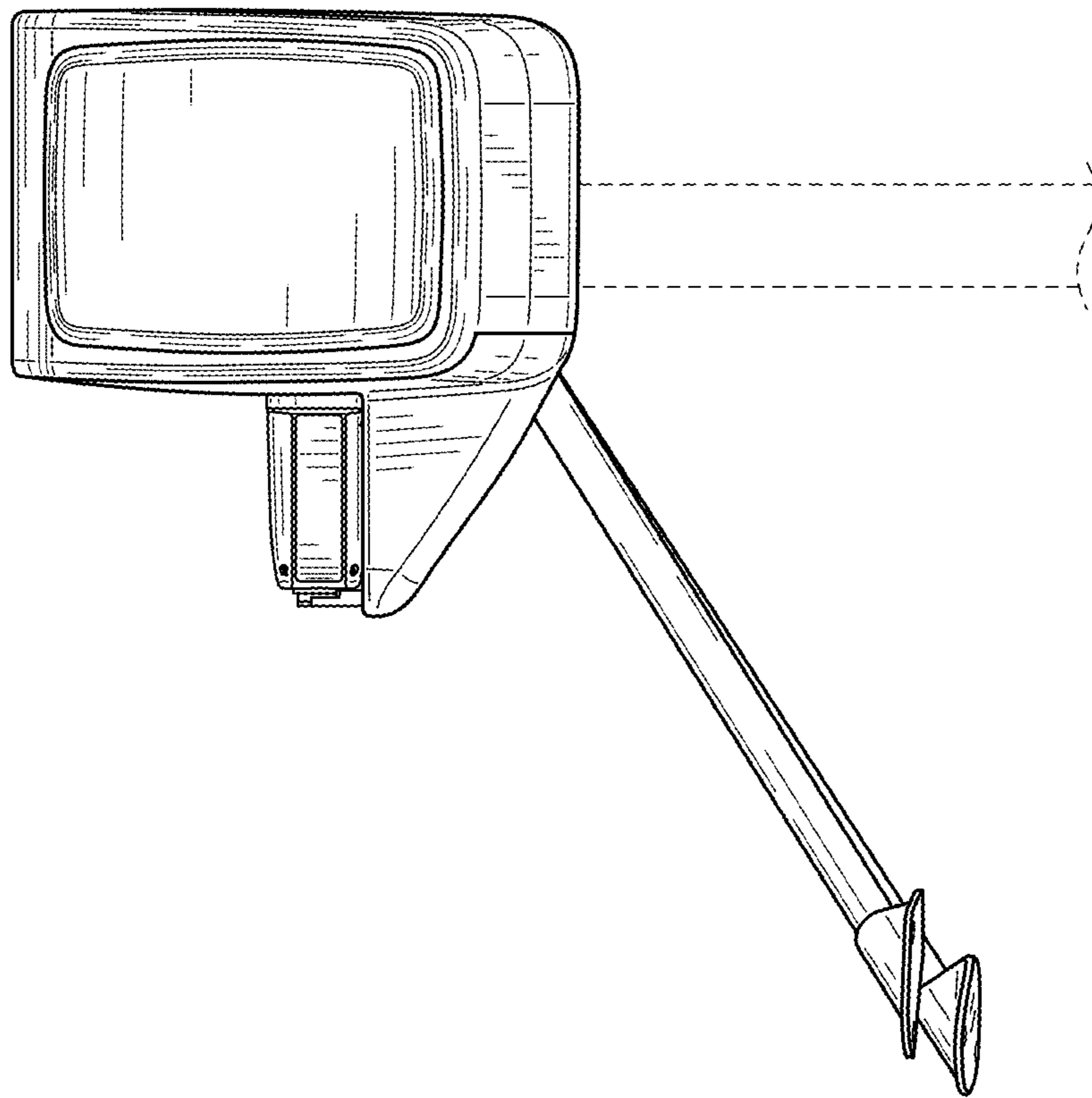


FIG. 11

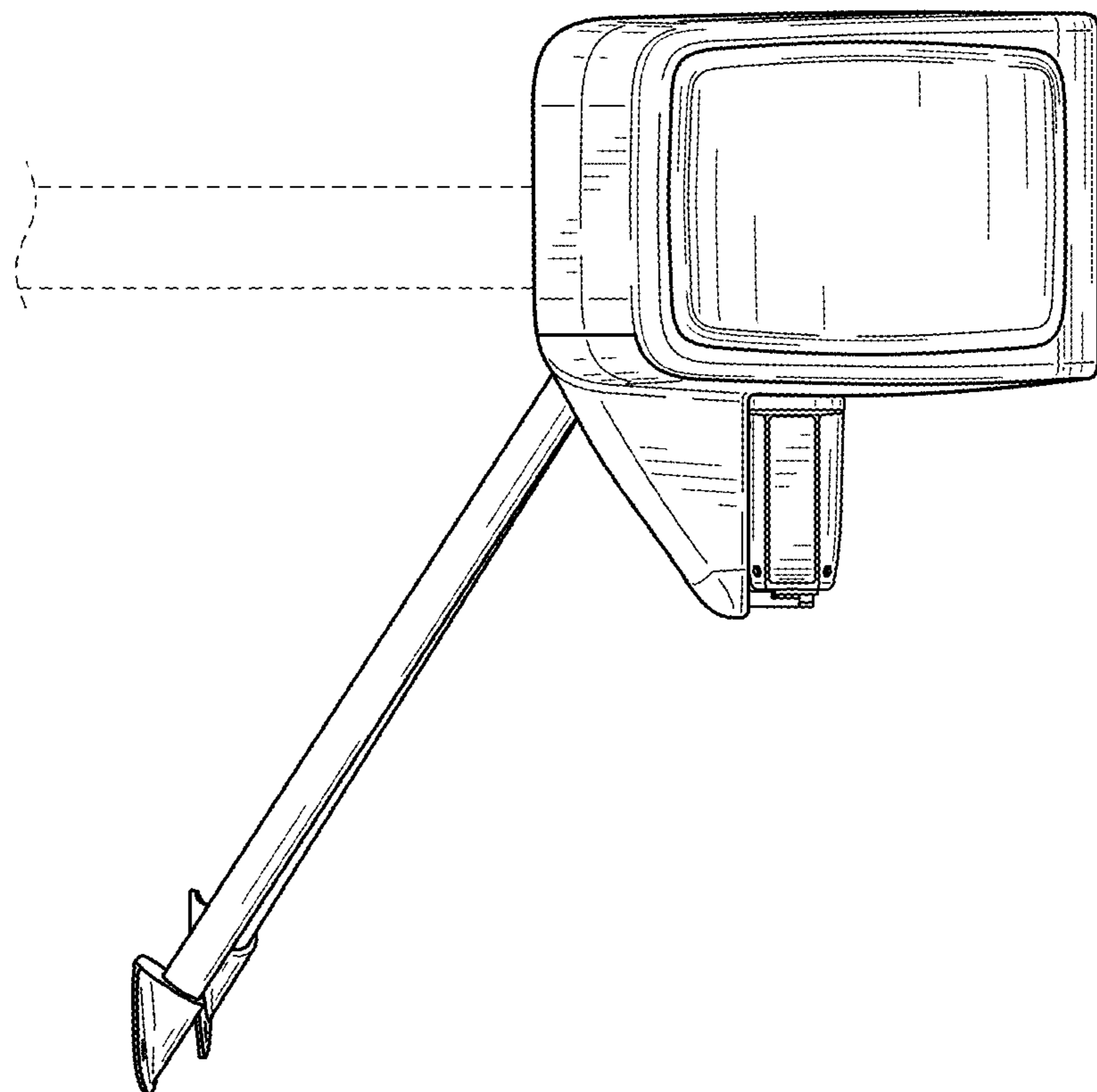


FIG. 12

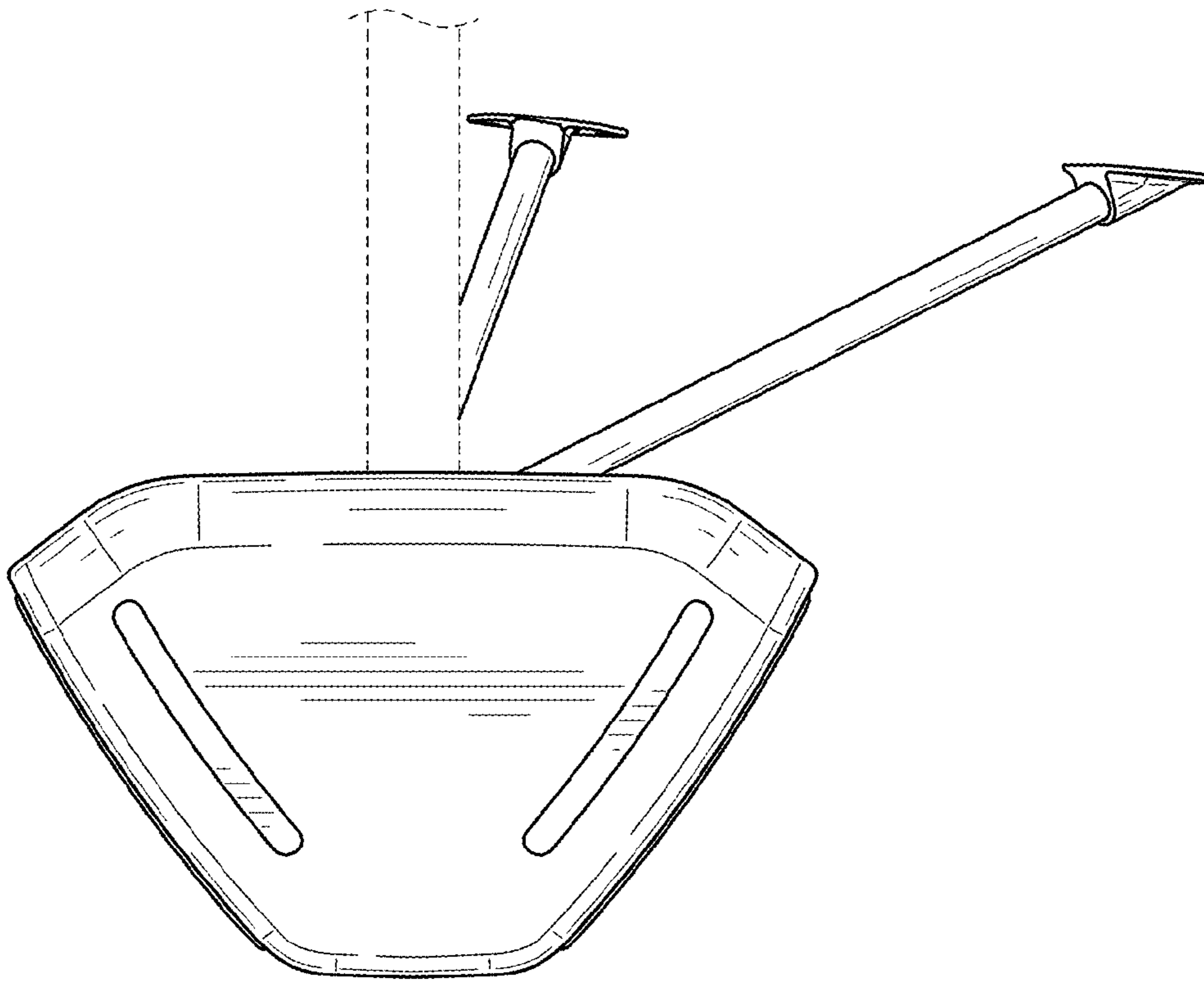


FIG. 13

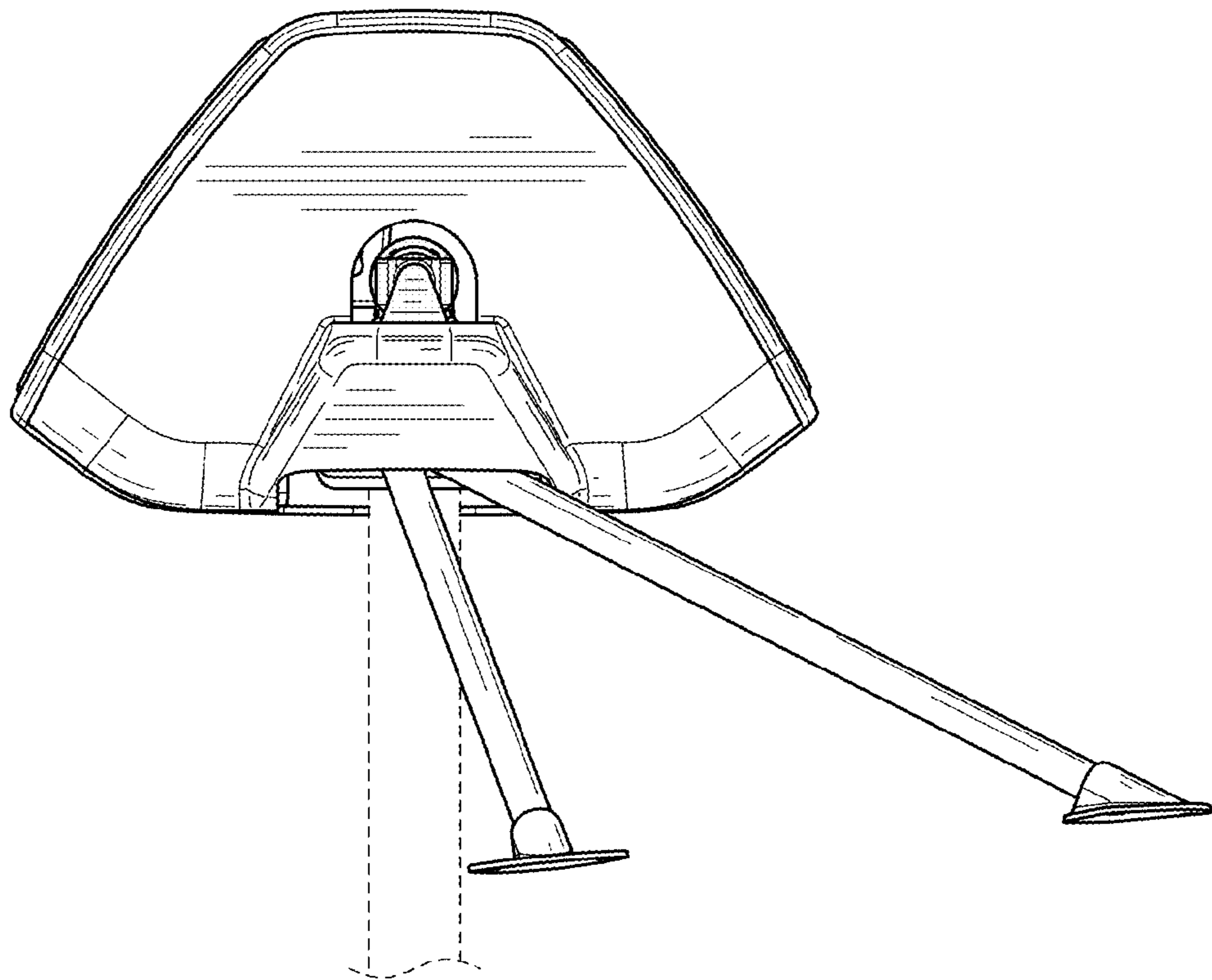


FIG. 14

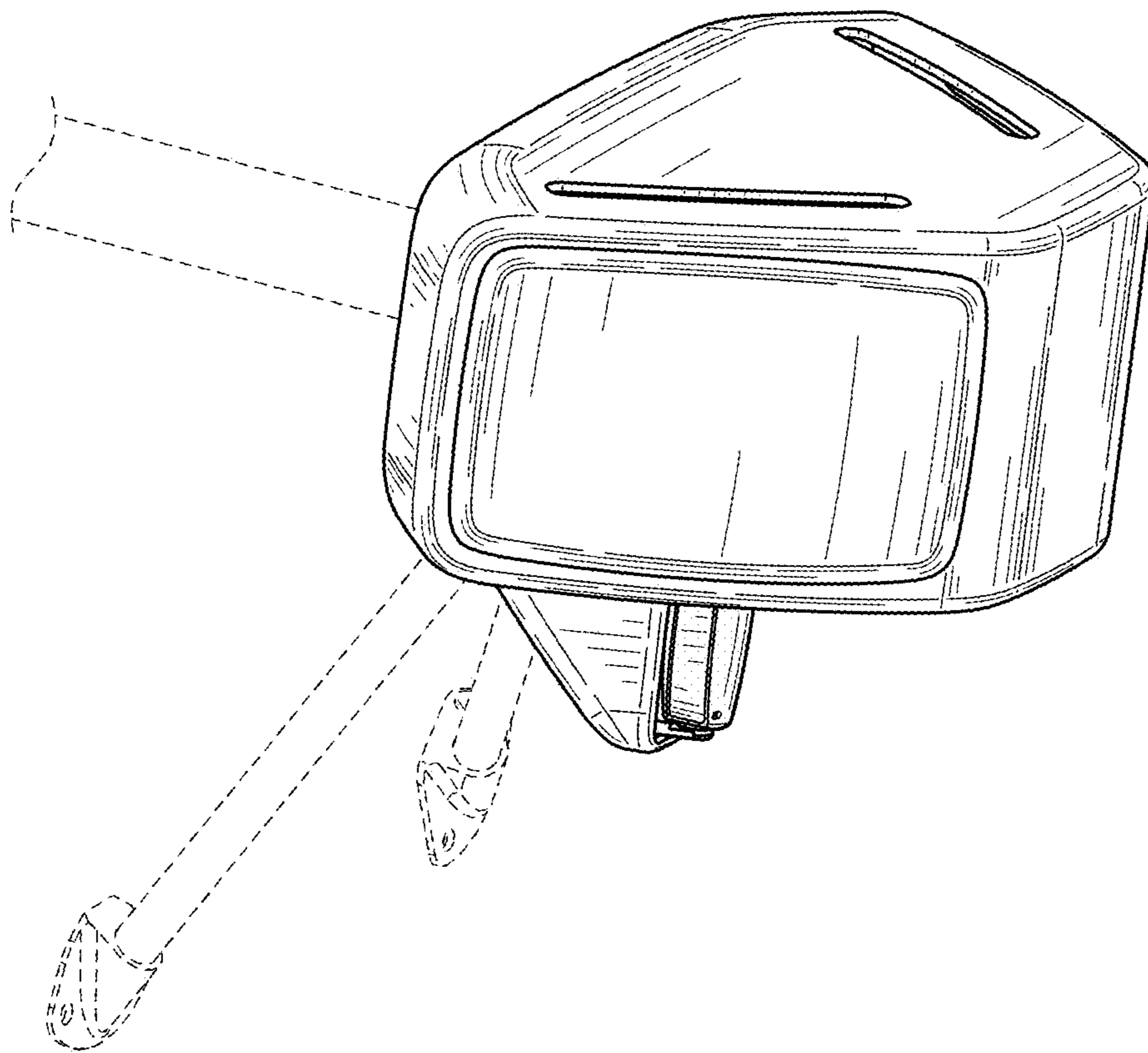


FIG. 15

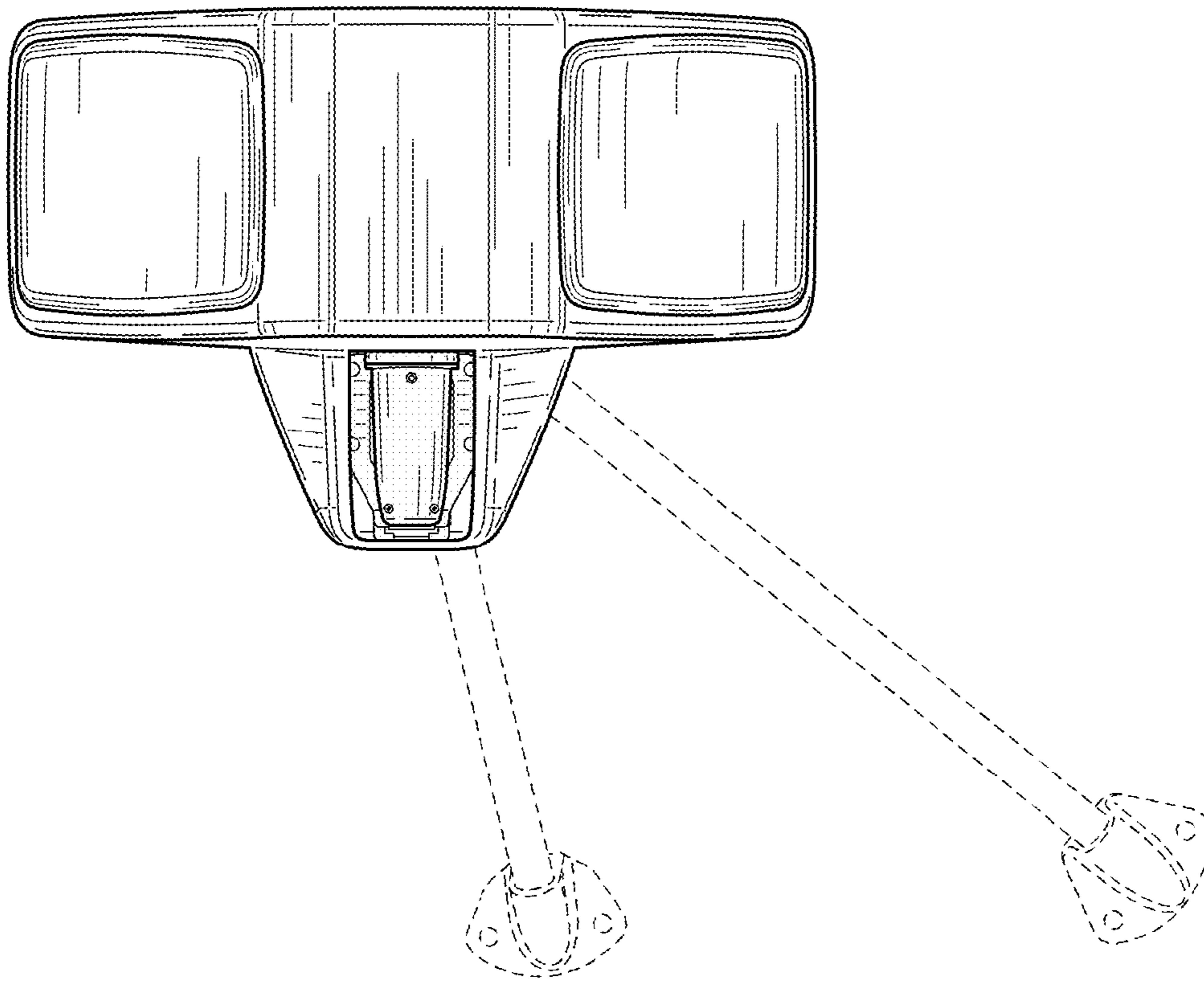


FIG. 16

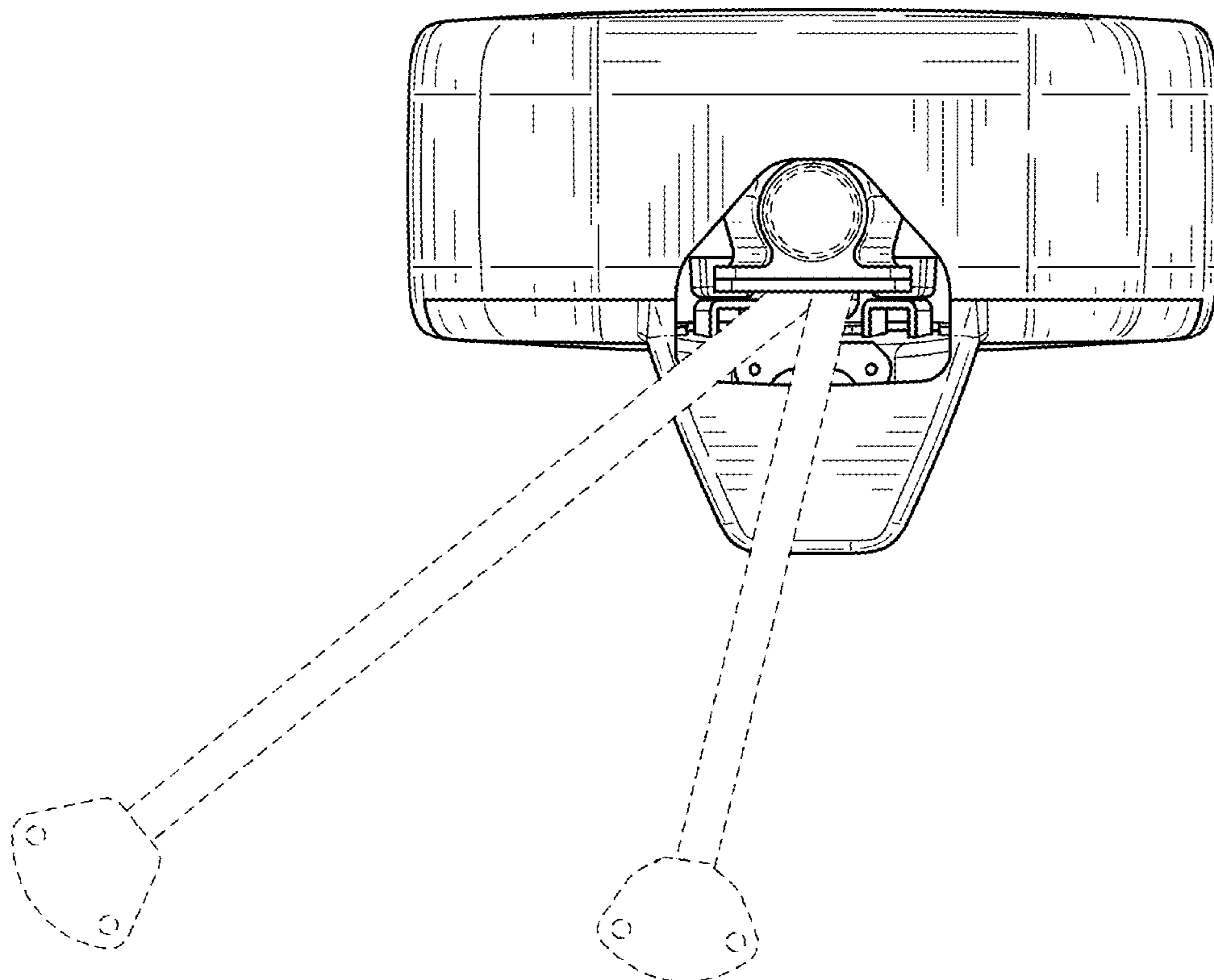


FIG. 17



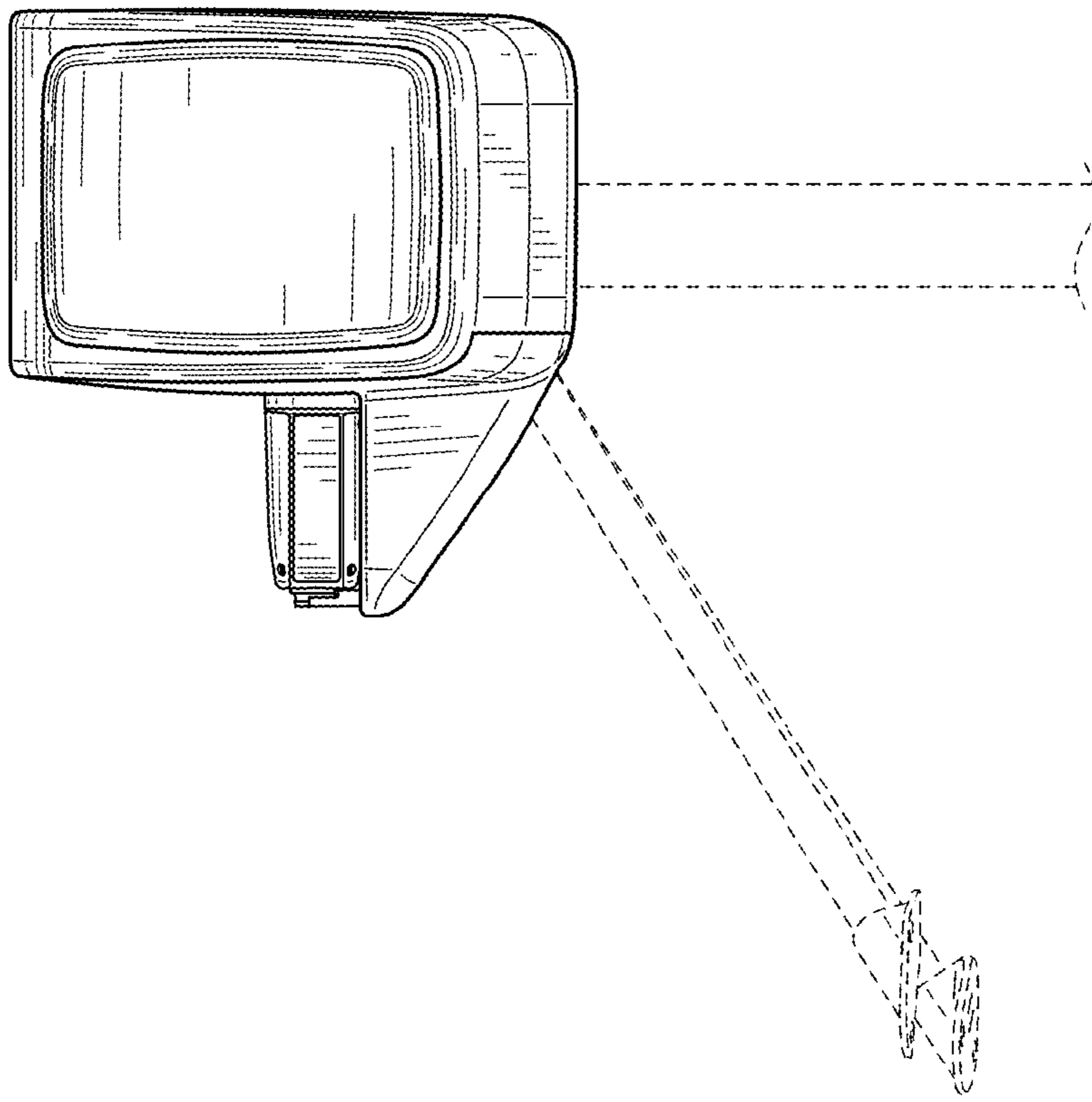


FIG. 18

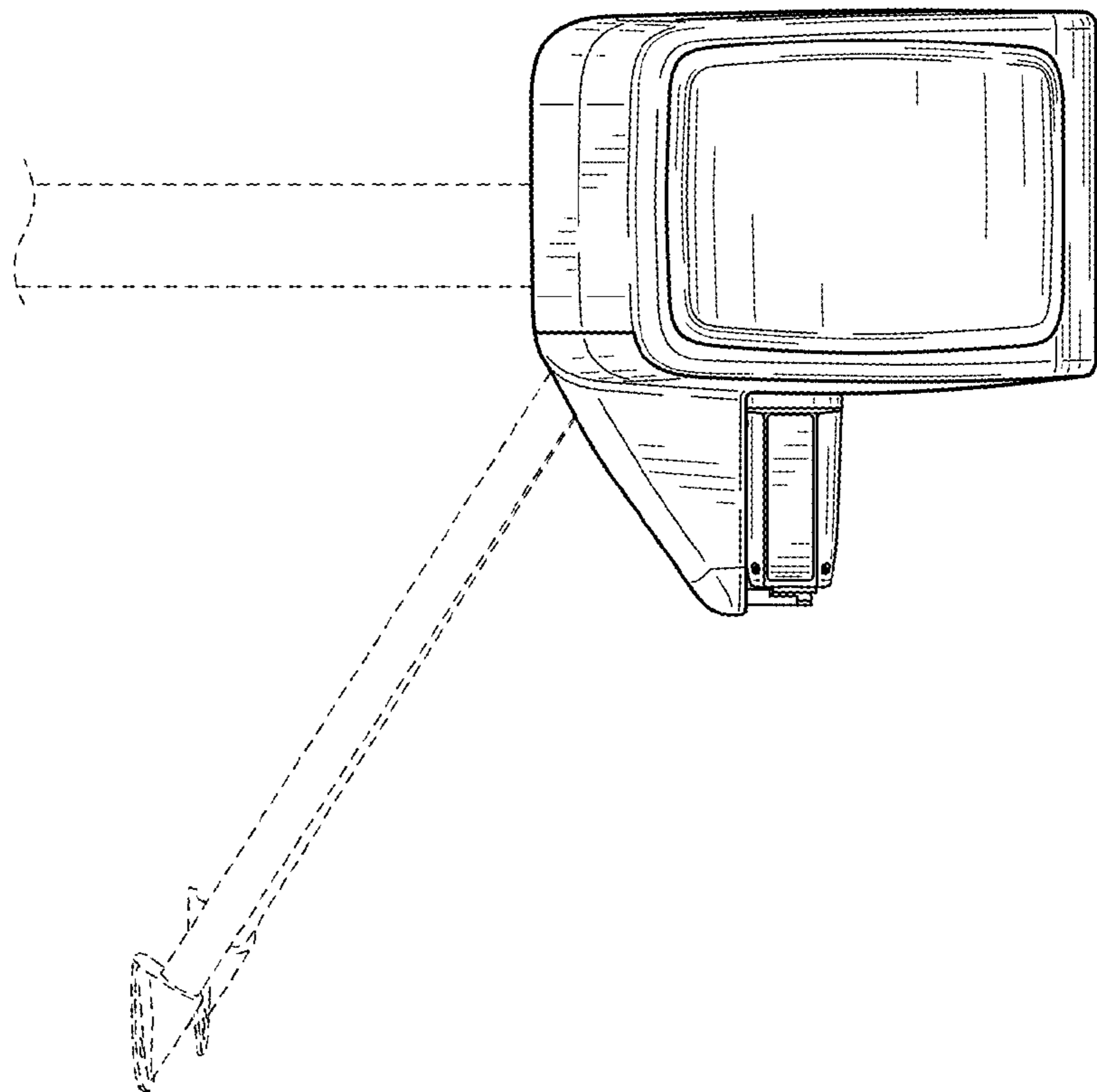


FIG. 19

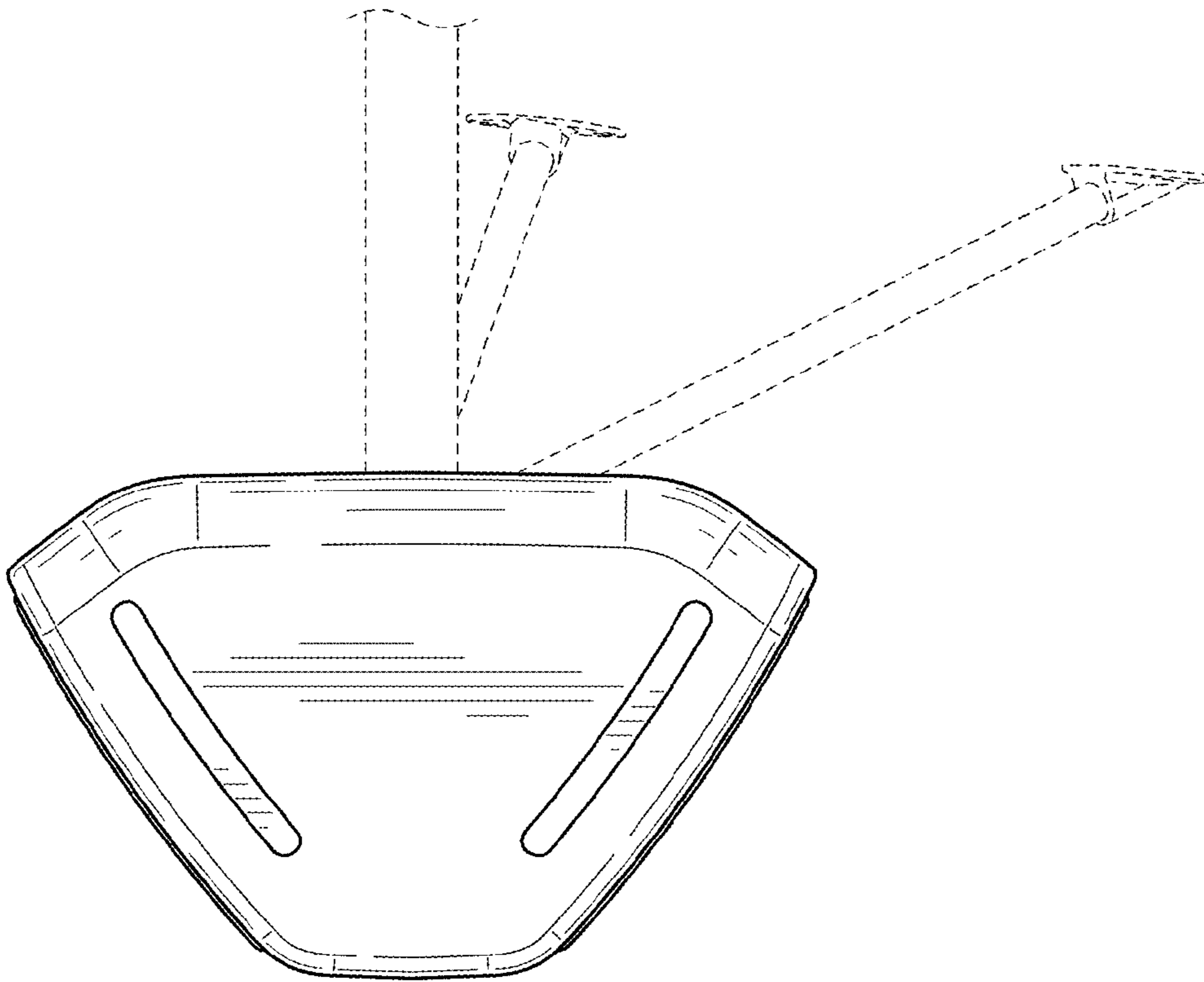


FIG. 20

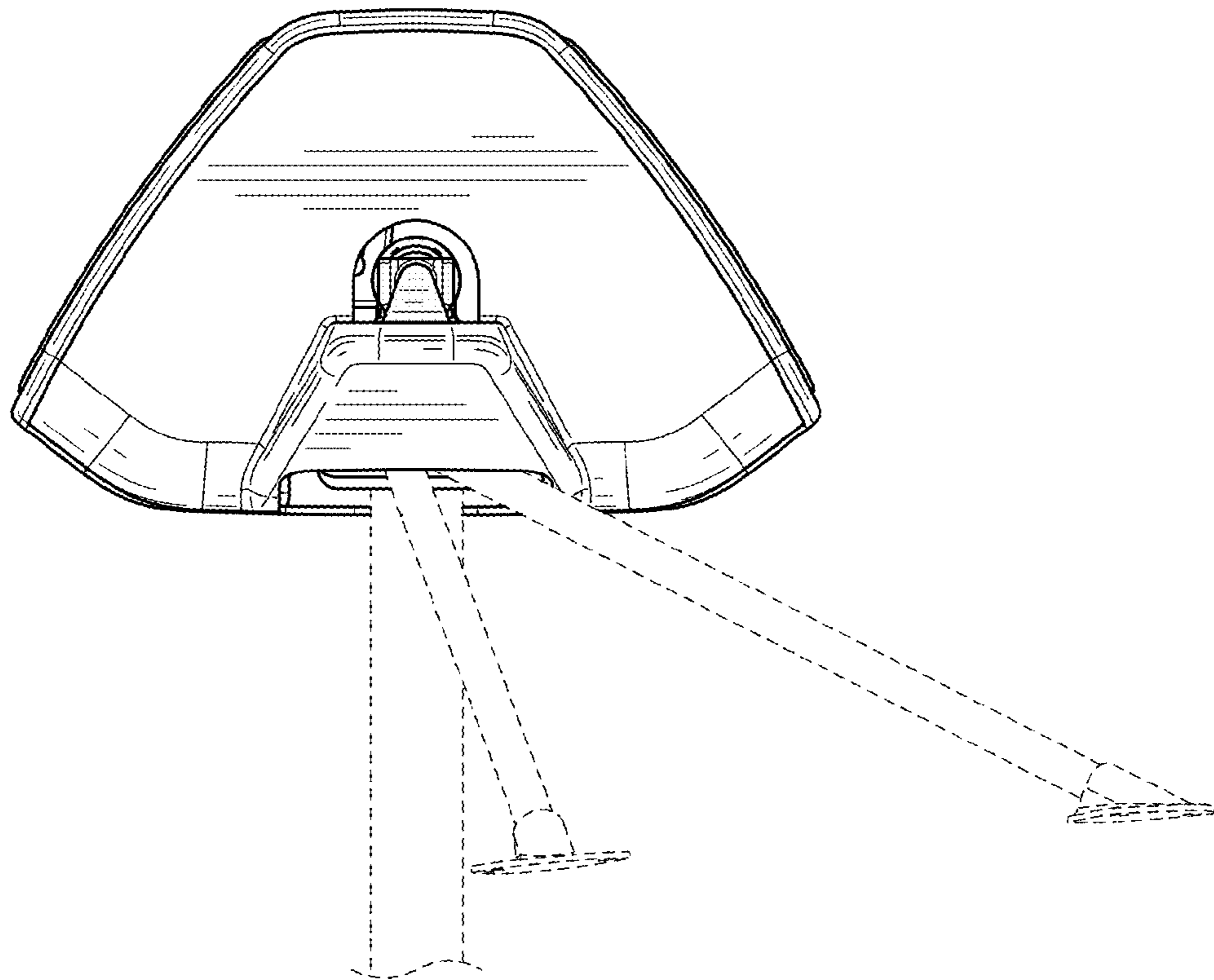


FIG. 21

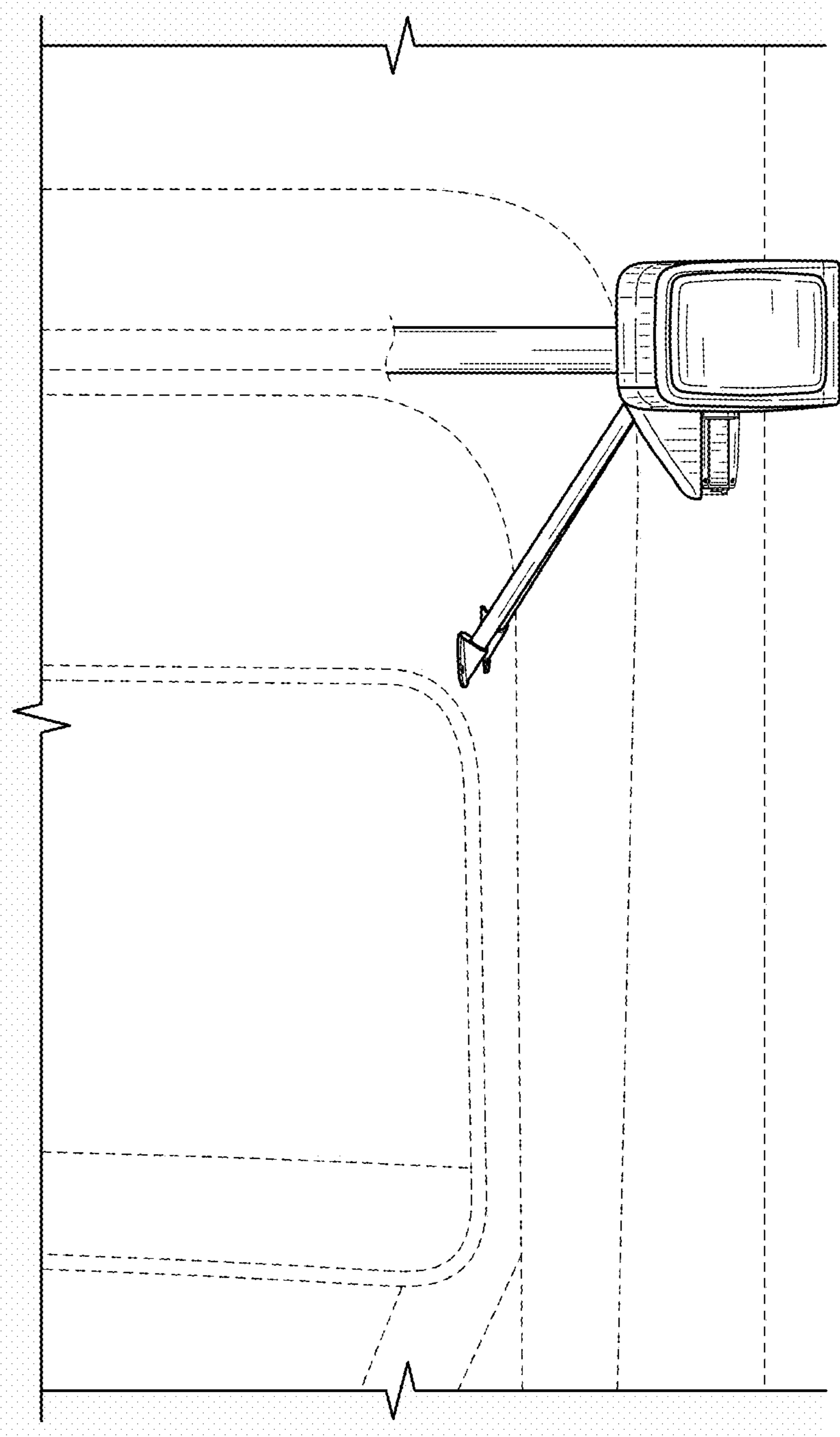


FIG. 22

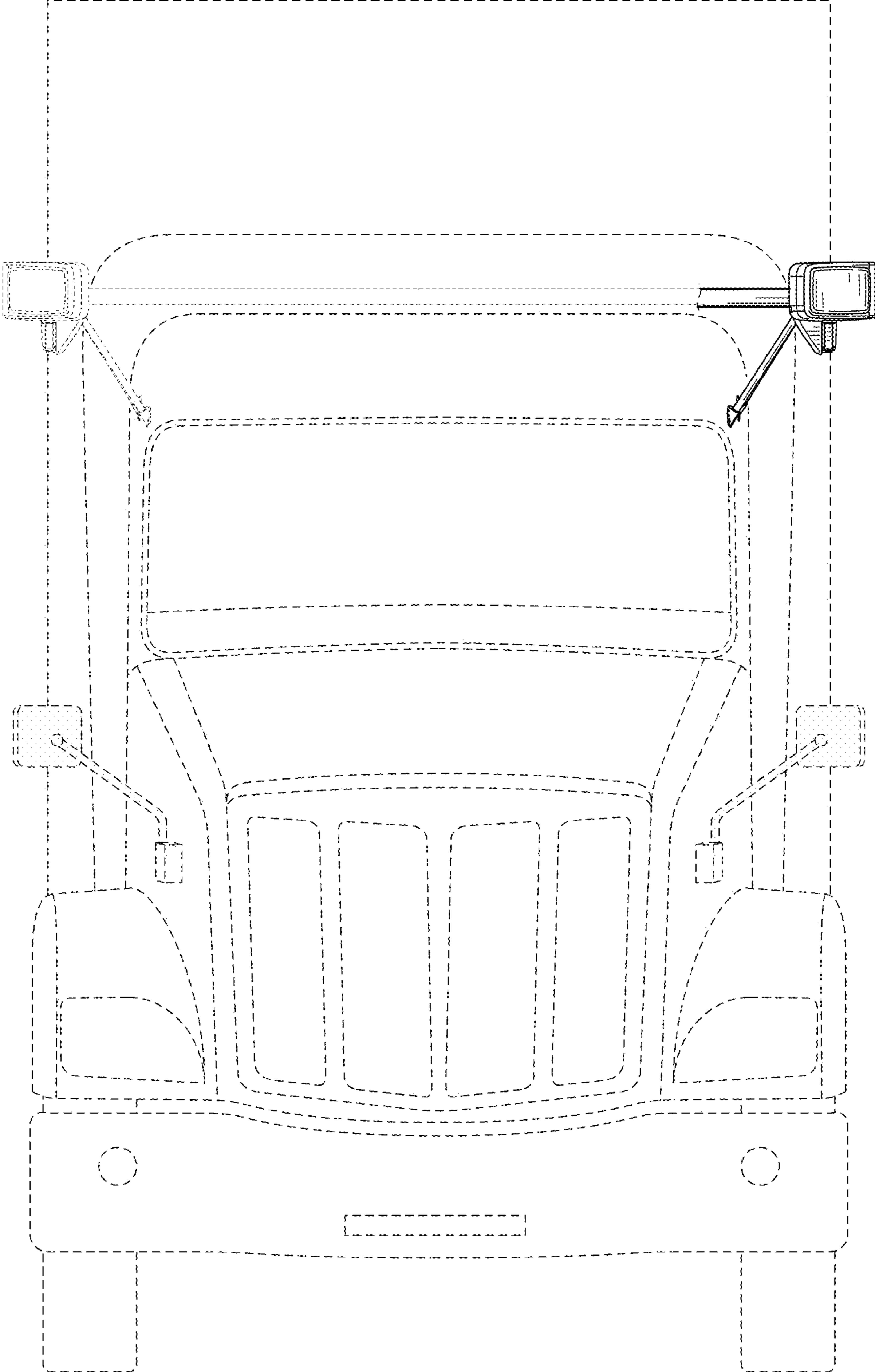


FIG. 23



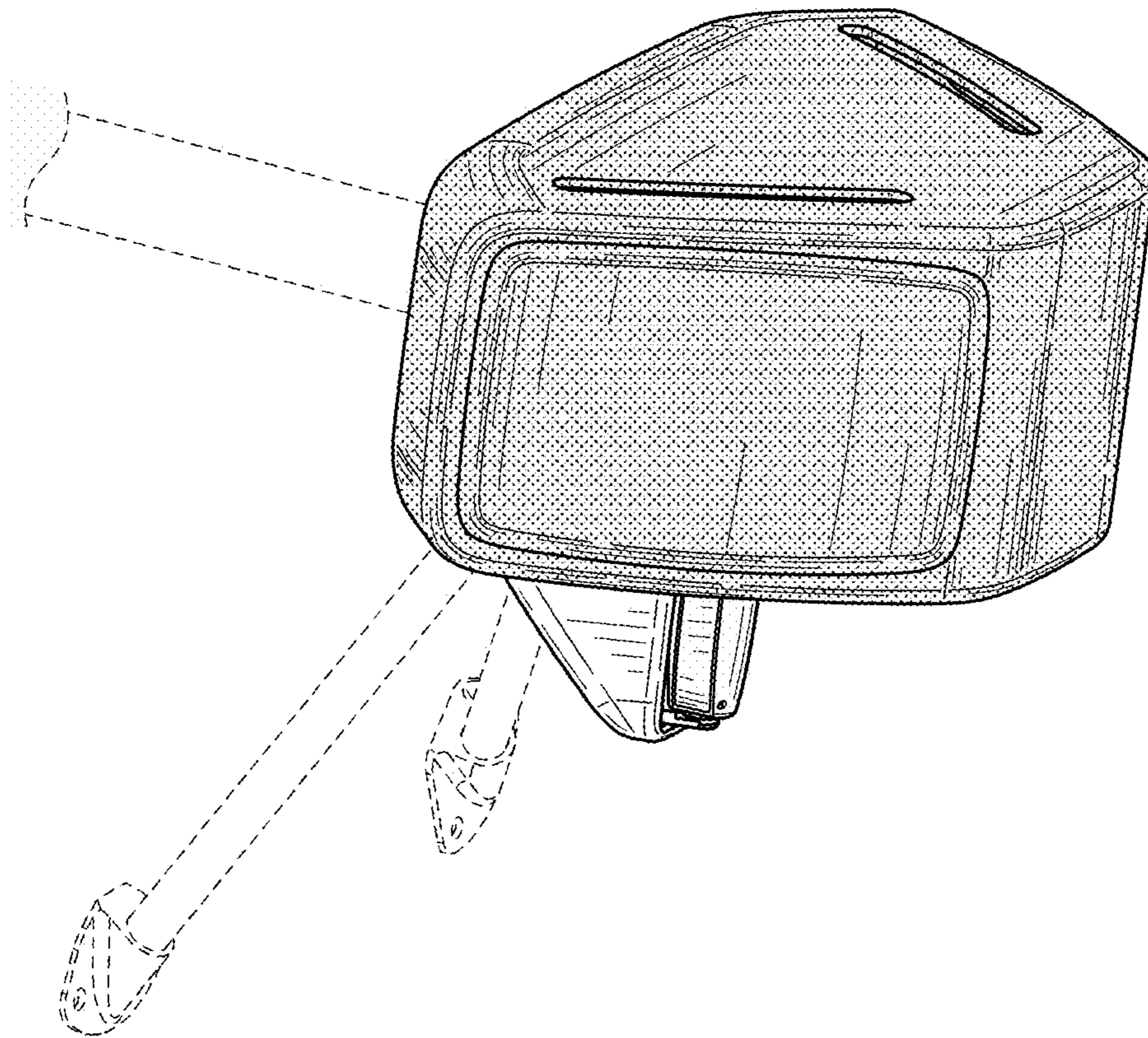


FIG. 24

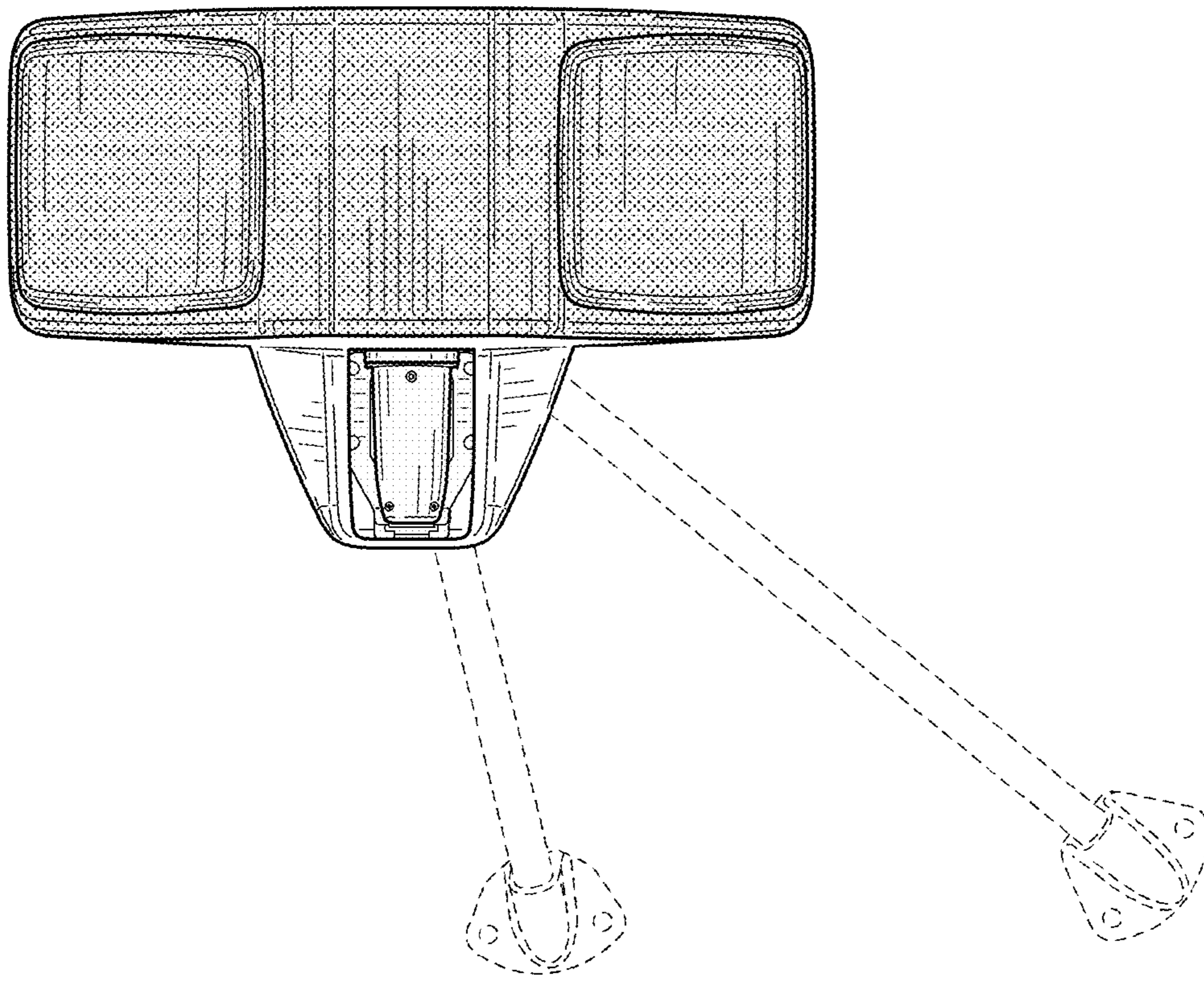


FIG. 25

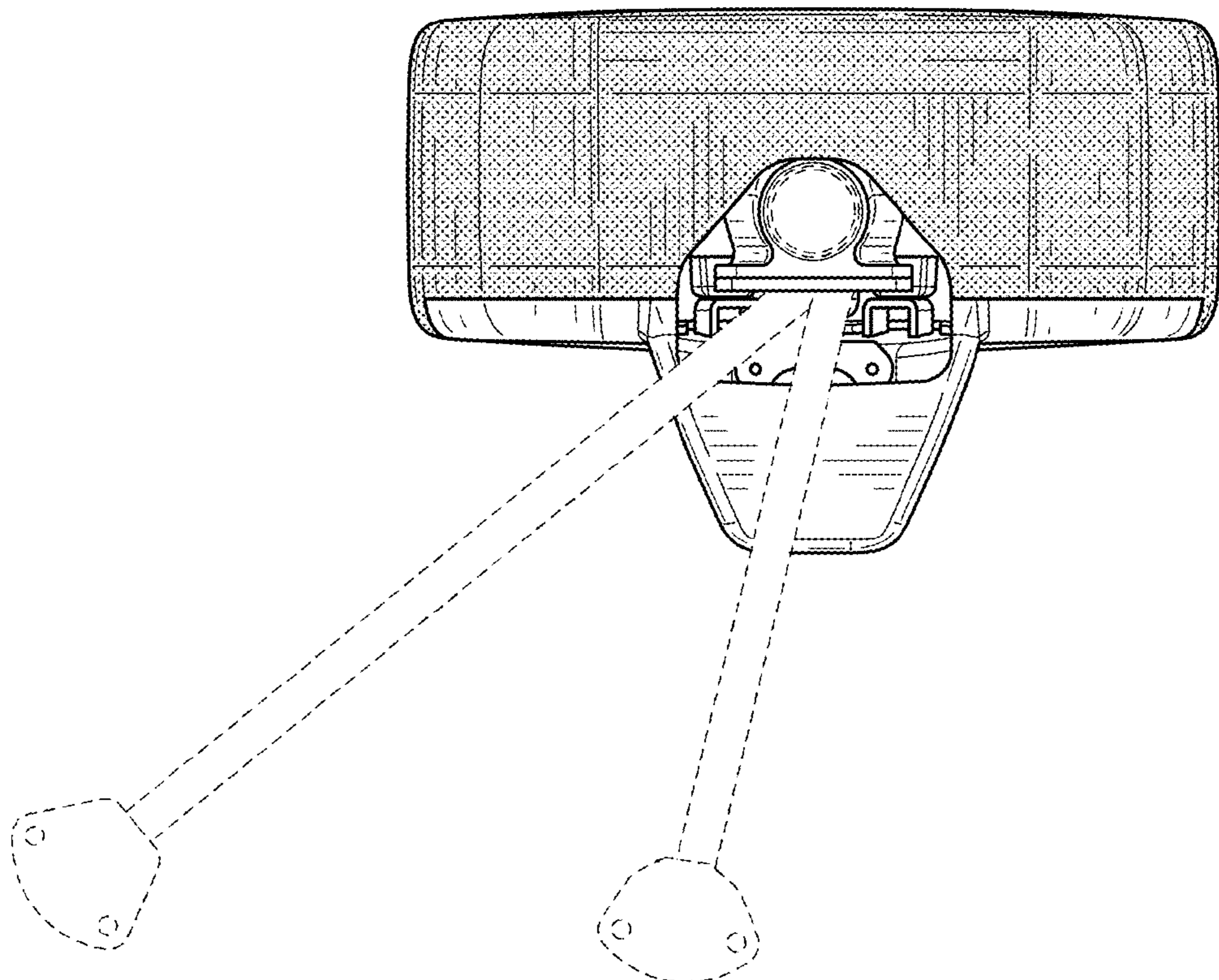


FIG. 26



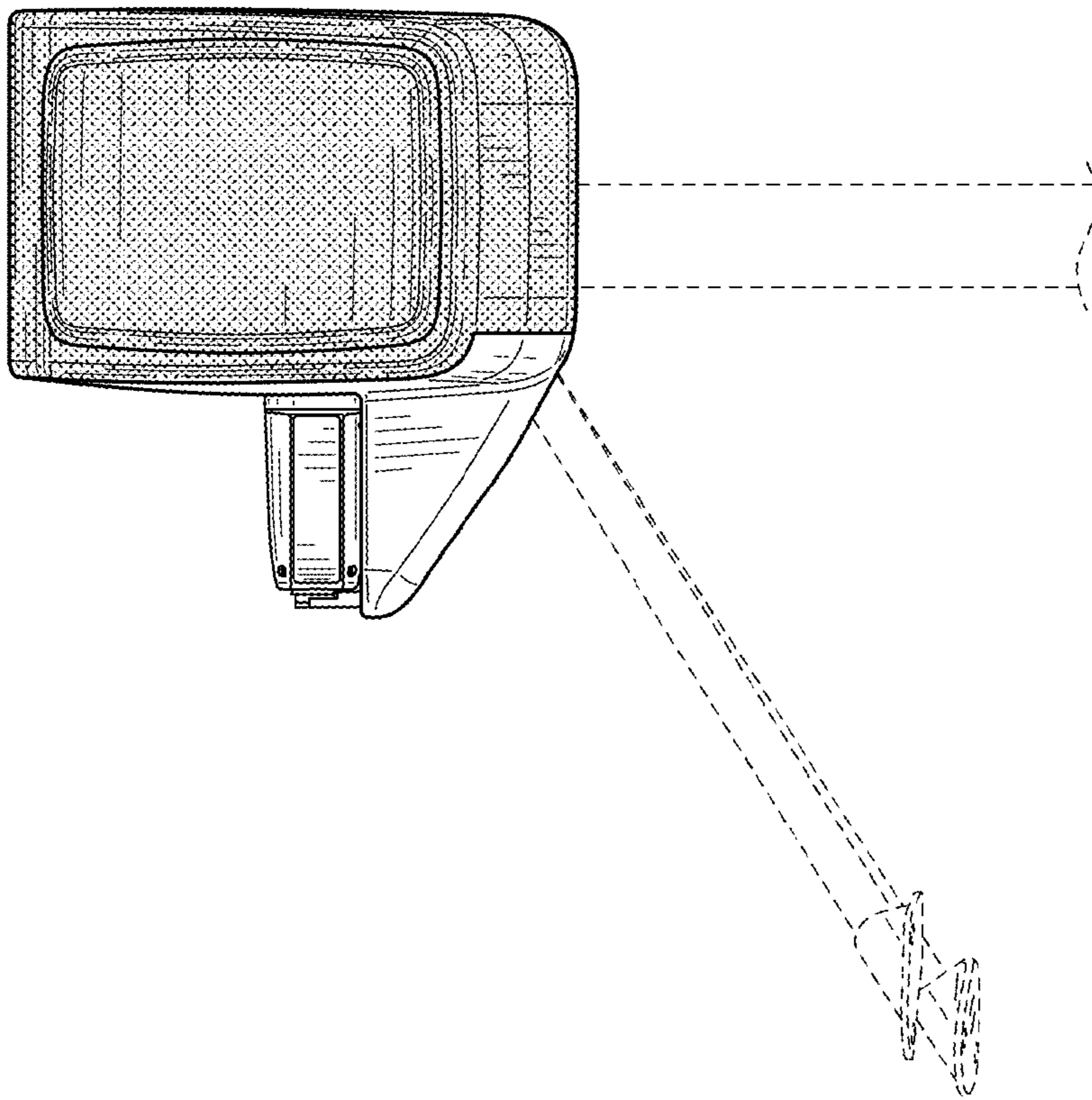


FIG. 27

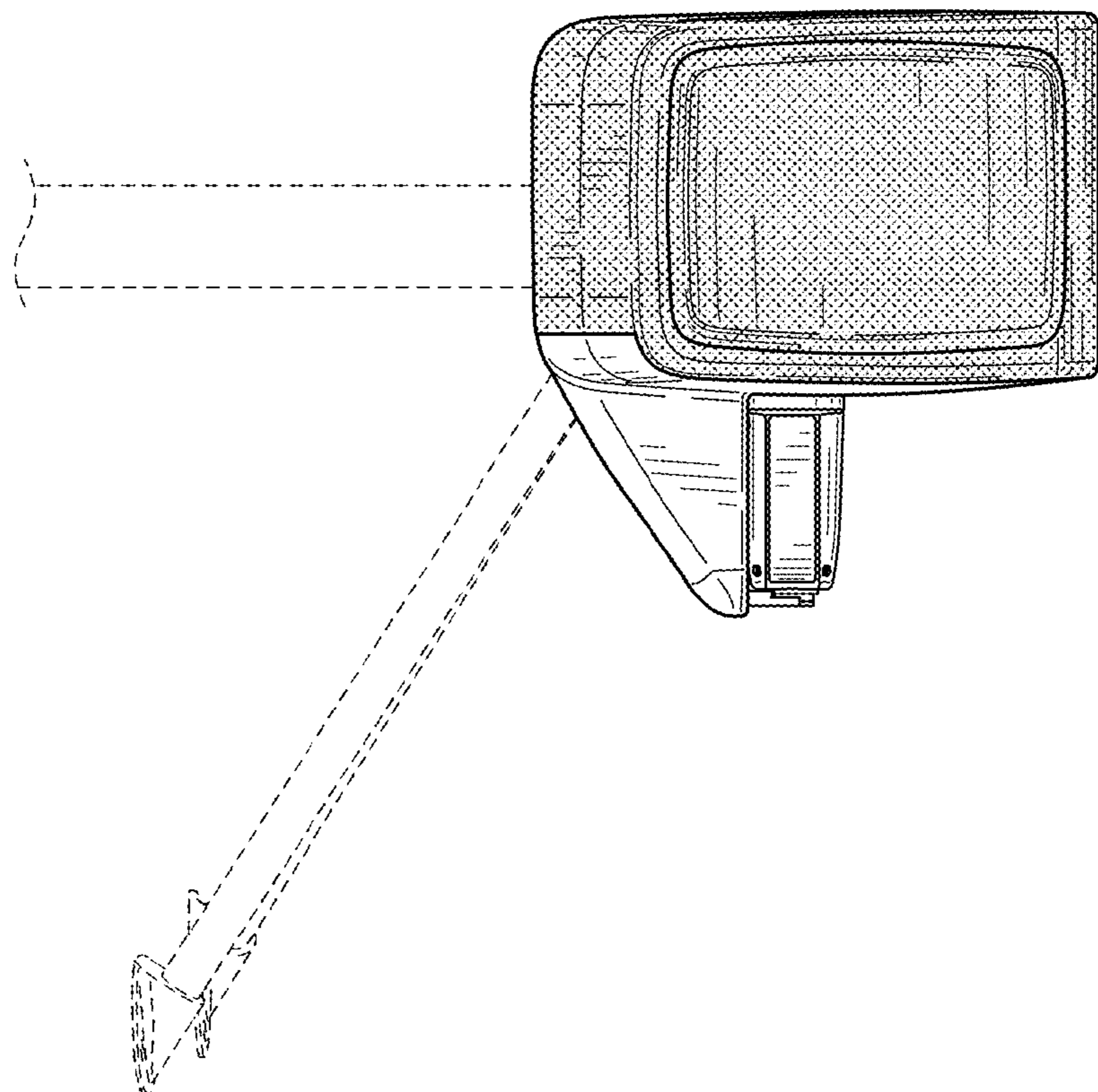


FIG. 28

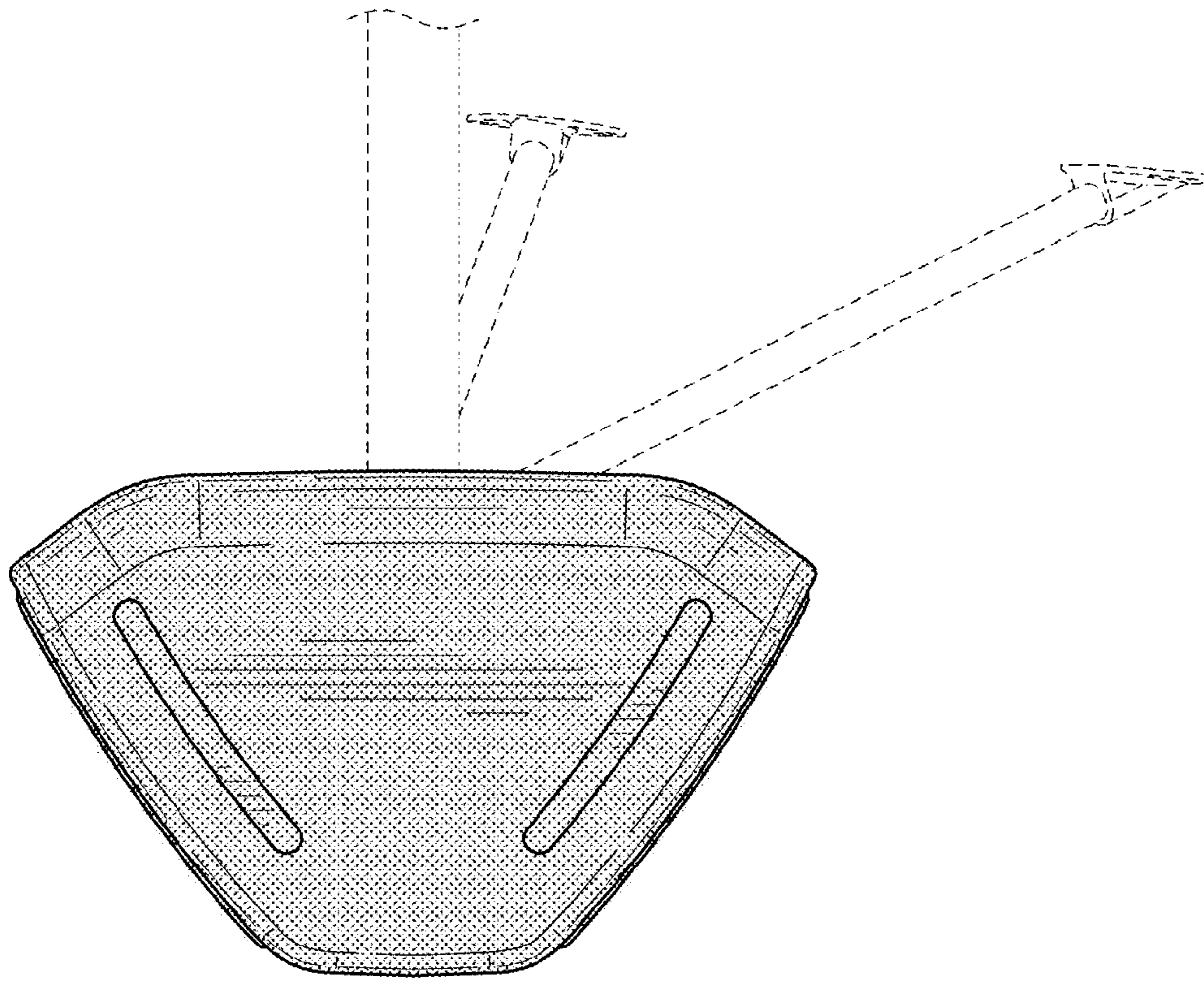


FIG. 29

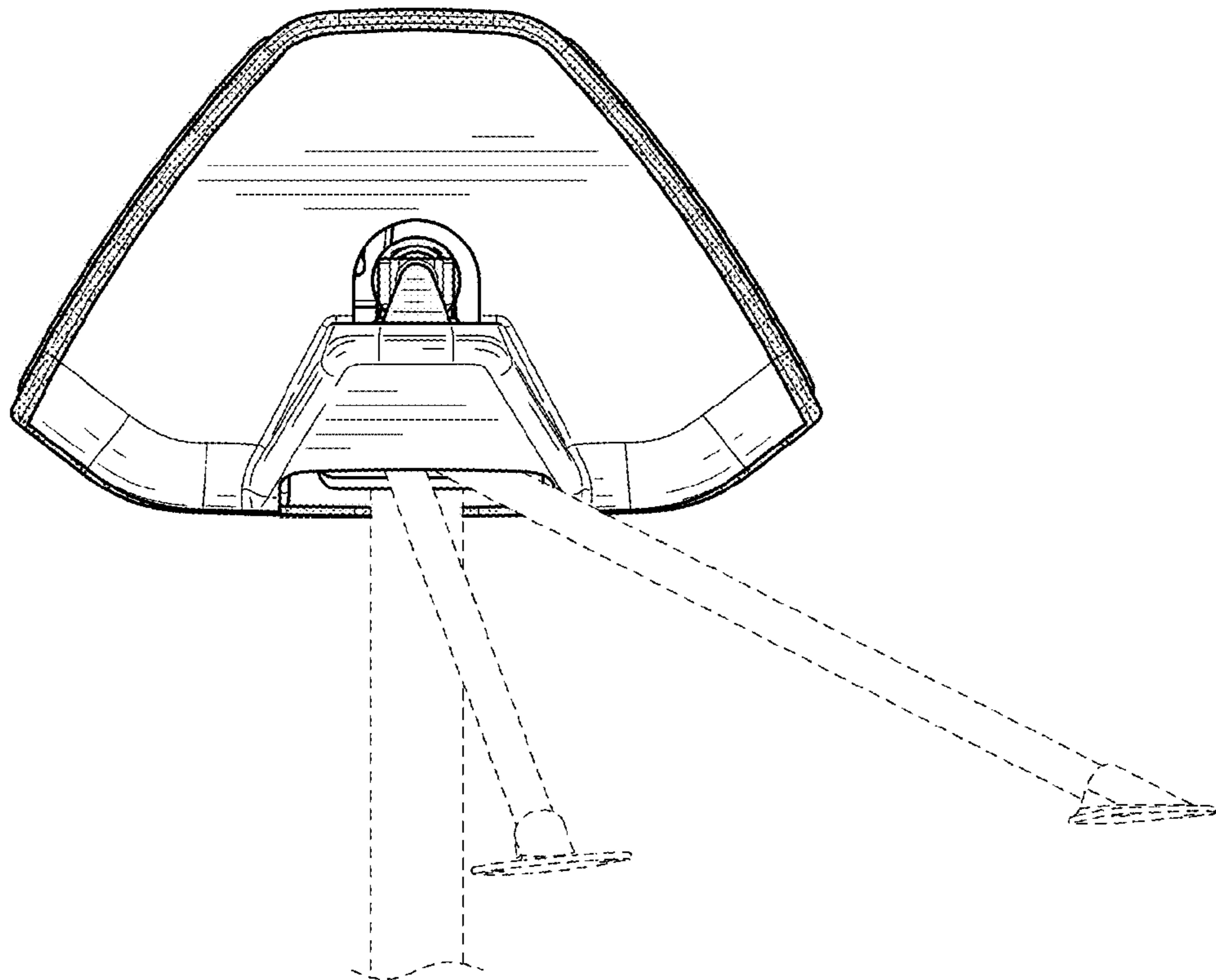


FIG. 30