



US00D882425S

(12) **United States Design Patent**
Judice et al.

(10) **Patent No.:** **US D882,425 S**
(45) **Date of Patent:** **** Apr. 28, 2020**

(54) **DIGITAL DEVICE**

(71) Applicant: **Cole-Parmer Instrument Company LLC**, Barrington, IL (US)

(72) Inventors: **Aaron Paul Judice**, Houston, TX (US);
Bin Xu, Houston, TX (US)

(73) Assignee: **COLE-PARMER INSTRUMENT COMPANY LLC**, Barrington, IL (US)

(**) Term: **15 Years**

(21) Appl. No.: **29/649,493**

(22) Filed: **May 30, 2018**

(51) **LOC (12) Cl.** **10-04**

(52) **U.S. Cl.**
USPC **D10/52; D10/78**

(58) **Field of Classification Search**
USPC D10/46, 52, 53, 57, 78
CPC ... G06F 21/6209; G06F 21/86; G01N 33/383;
H04L 63/0428; H04L 63/12; G01K
13/002; G01J 5/02; G01J 5/021; G01J
5/08; G01J 5/0022; G01J 5/0025; G01J
5/0265; G01J 5/0887; G01J 2005/068;
A61B 5/01

See application file for complete search history.

(56) **References Cited**

U.S. PATENT DOCUMENTS

D670,579 S * 11/2012 Cooney D10/57

* cited by examiner

Primary Examiner — Antoine Duval Davis

(74) *Attorney, Agent, or Firm* — Arent Fox, LLP

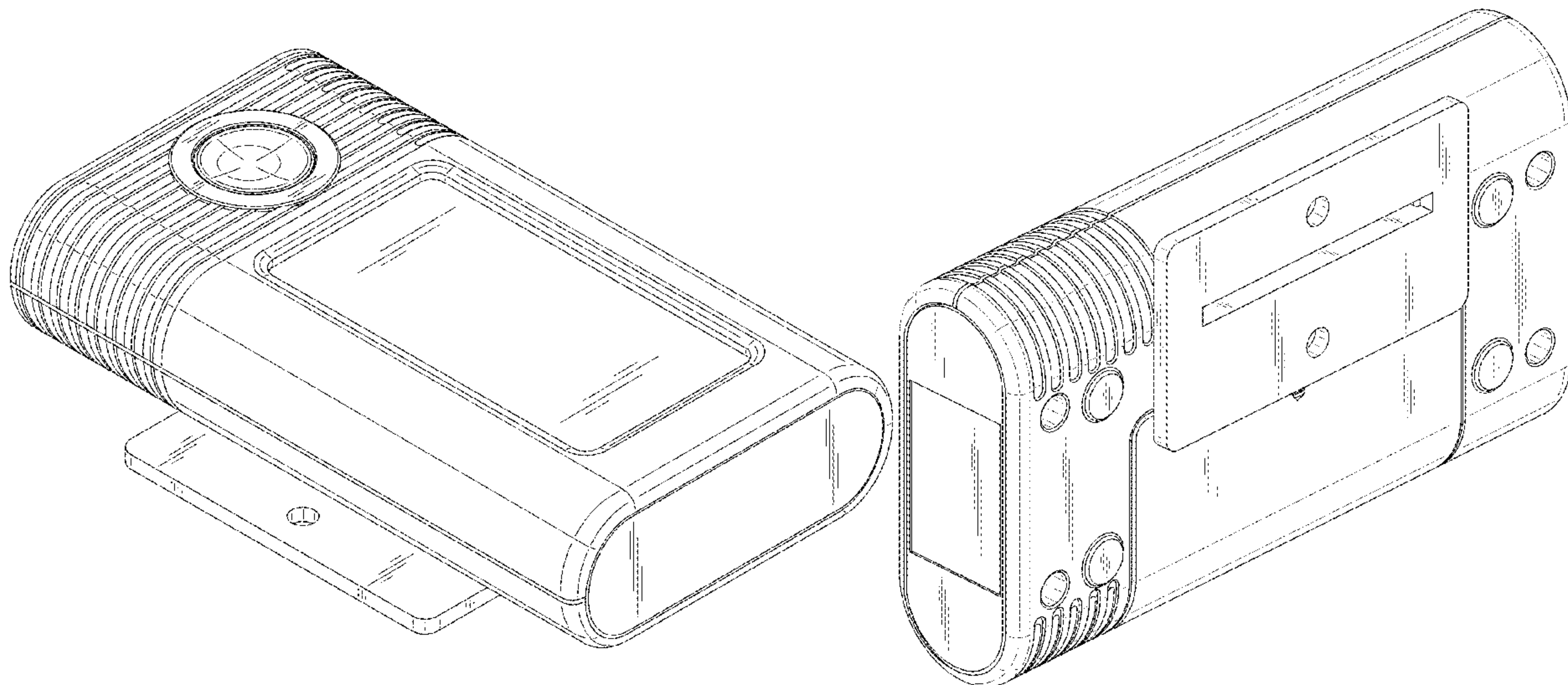
(57) **CLAIM**

The ornamental design for a digital device, as shown and described.

DESCRIPTION

FIG. 1 is a front left perspective view of a first embodiment of a digital device showing our new design;
FIG. 2 is a rear right perspective view of the design shown in FIG. 1;
FIG. 3 is a front view of the design shown in FIG. 1;
FIG. 4 is a rear view of the design shown in FIG. 1;
FIG. 5 is a left side view of the design shown in FIG. 1;
FIG. 6 is a right side view of the design shown in FIG. 1;
FIG. 7 is a top view of the design shown in FIG. 1;
FIG. 8 is a bottom view of the design shown in FIG. 1;
FIG. 9 is a front left perspective view of a second embodiment of a digital device showing our new design;
FIG. 10 is a rear right perspective view of the design shown in FIG. 9;
FIG. 11 is a front view of the design shown in FIG. 9;
FIG. 12 is a rear view of the design shown in FIG. 9;
FIG. 13 is a left side view of the design shown in FIG. 9;
FIG. 14 is a right side view of the design shown in FIG. 9;
FIG. 15 is a top view of the design shown in FIG. 9; and,
FIG. 16 is a bottom view of the design shown in FIG. 9.
The broken lines shown in the figures are included for the purpose of illustrating portions of the digital device and form no part of the claimed design.

1 Claim, 16 Drawing Sheets



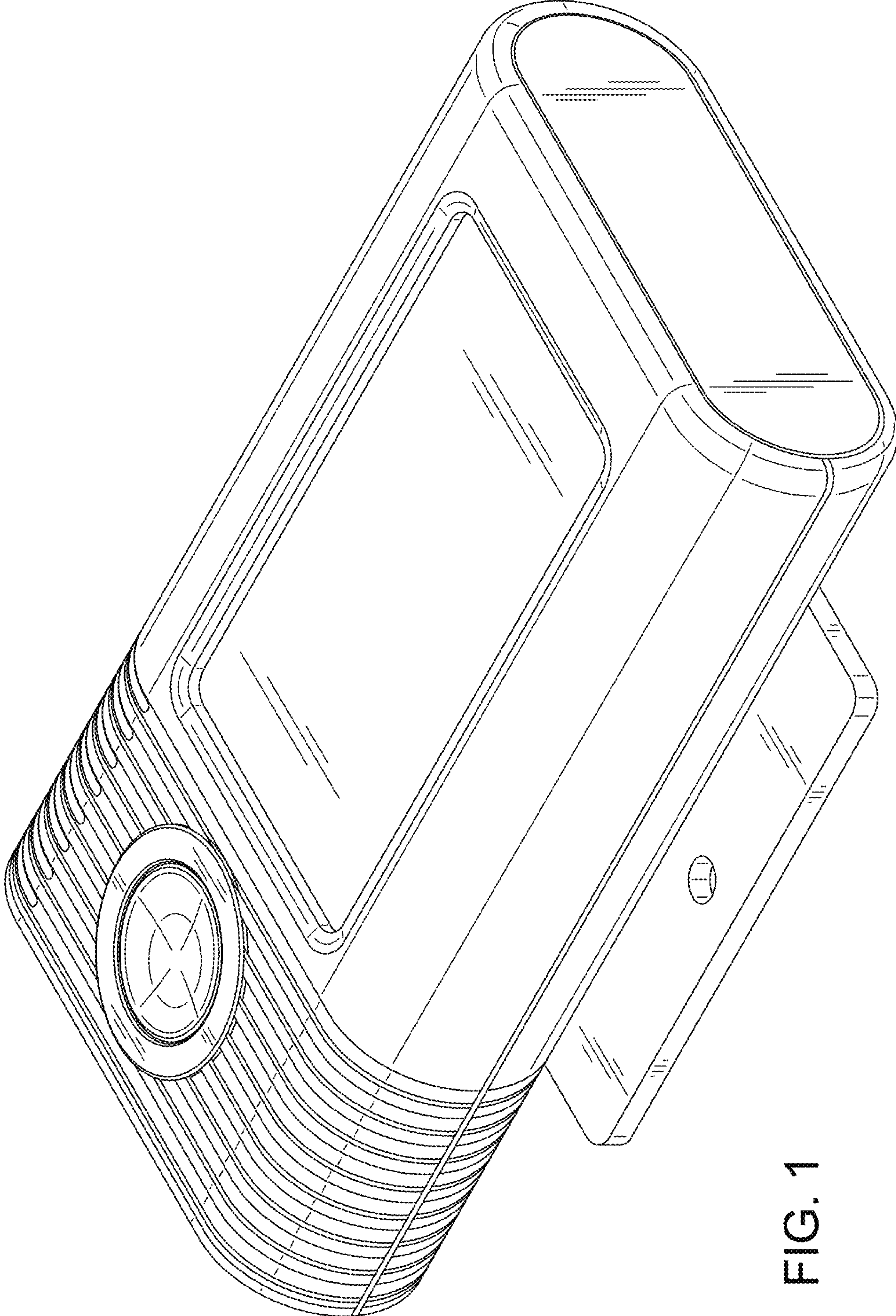


FIG. 1

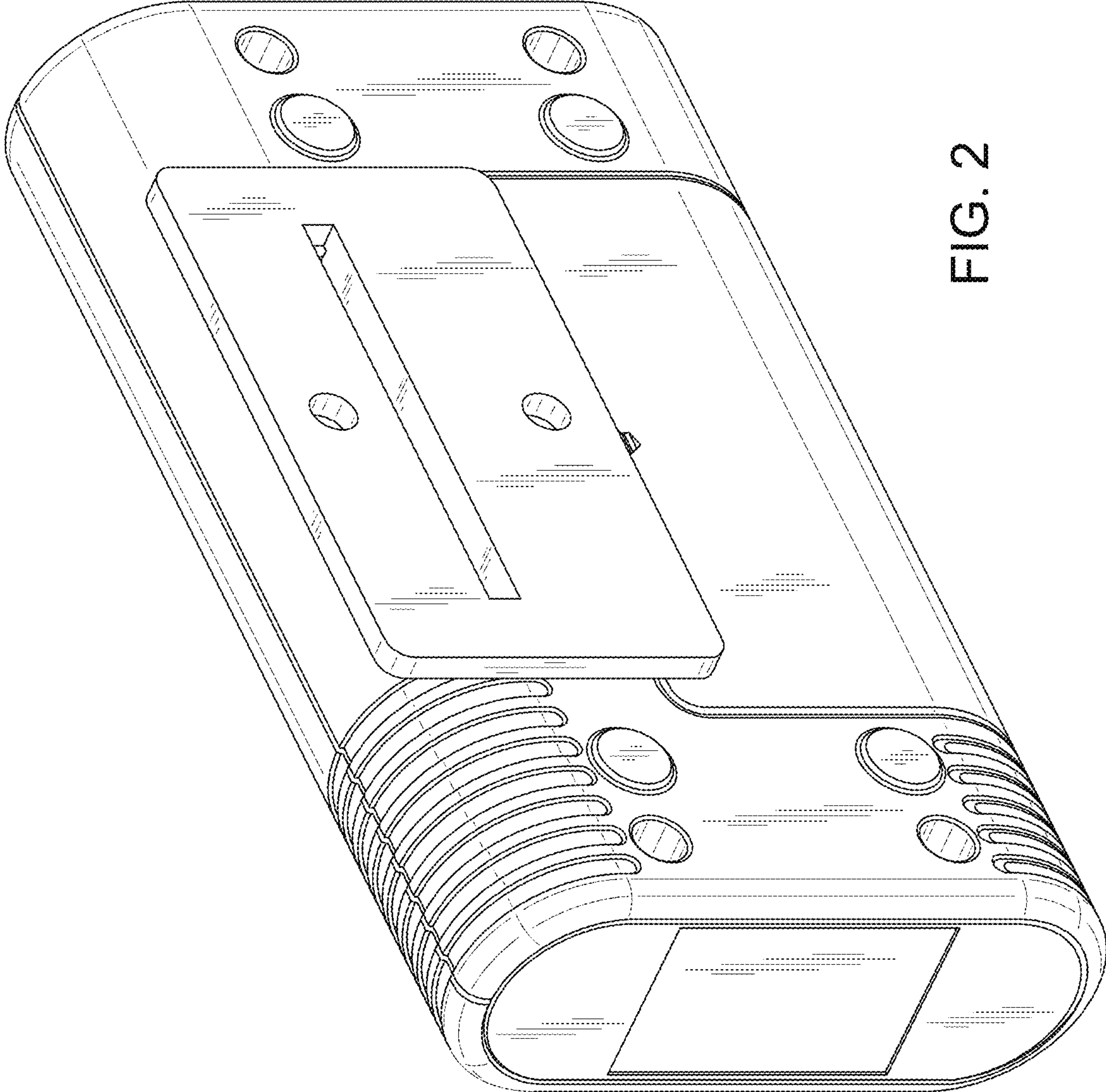


FIG. 2

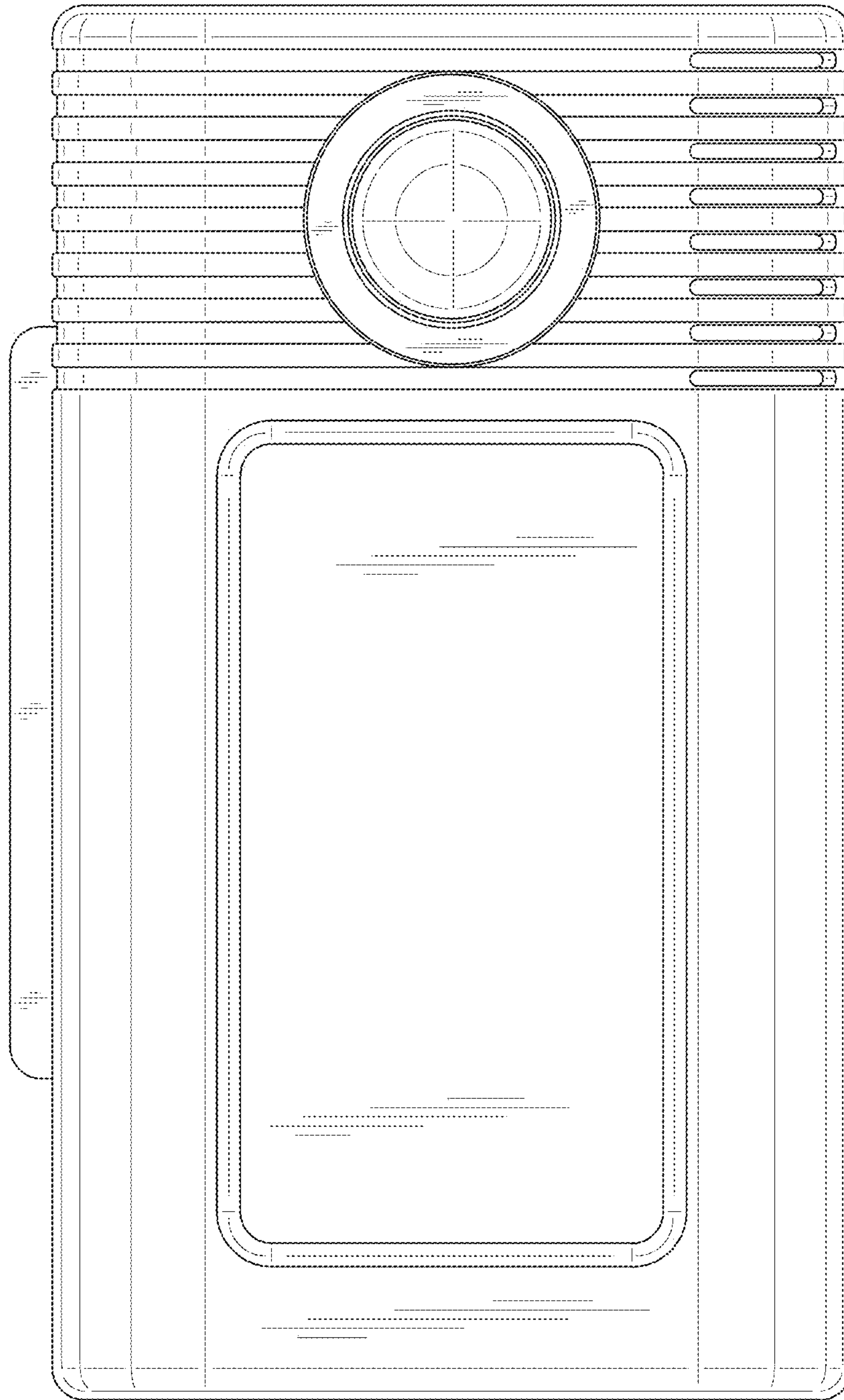


FIG. 3

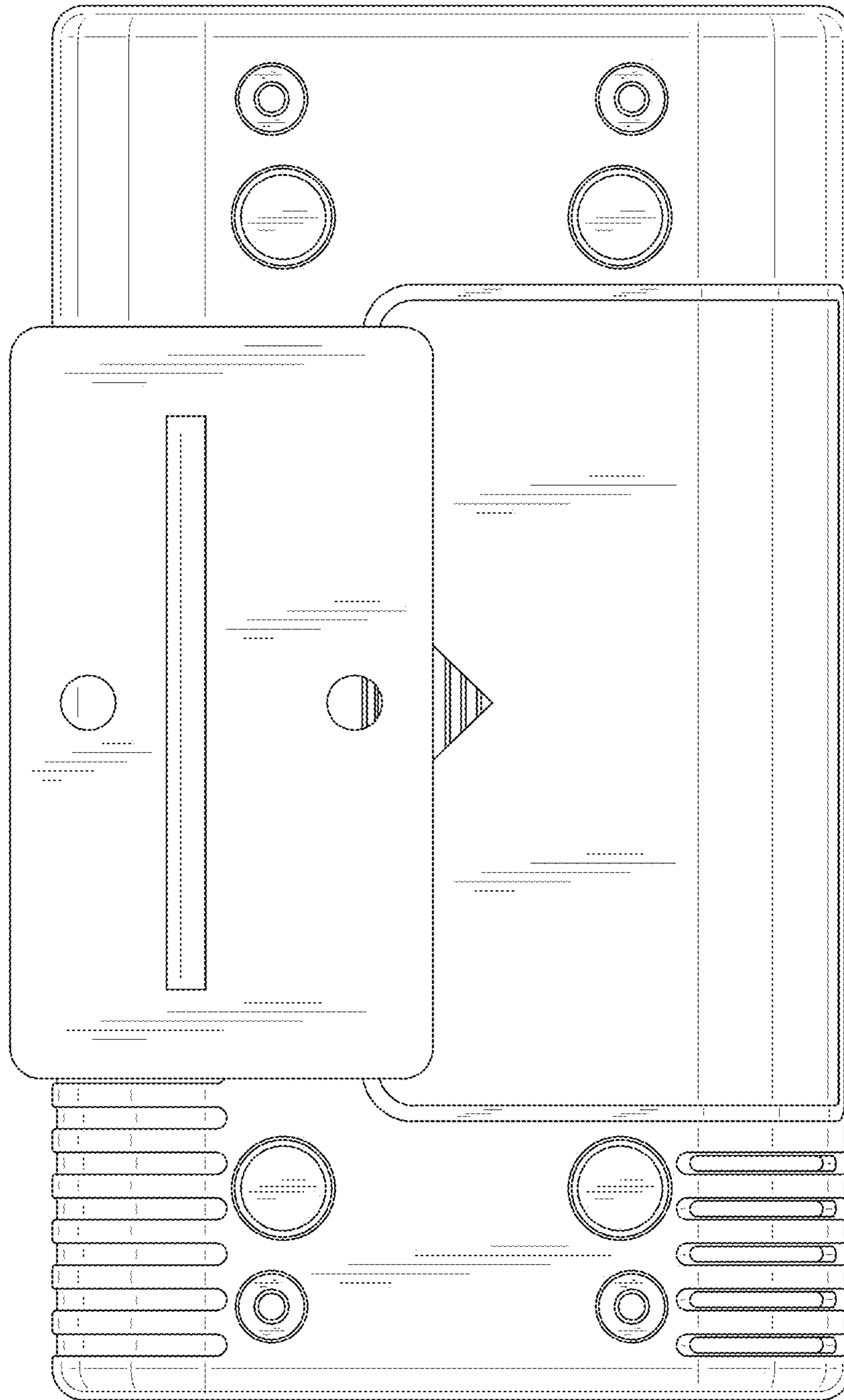


FIG. 4

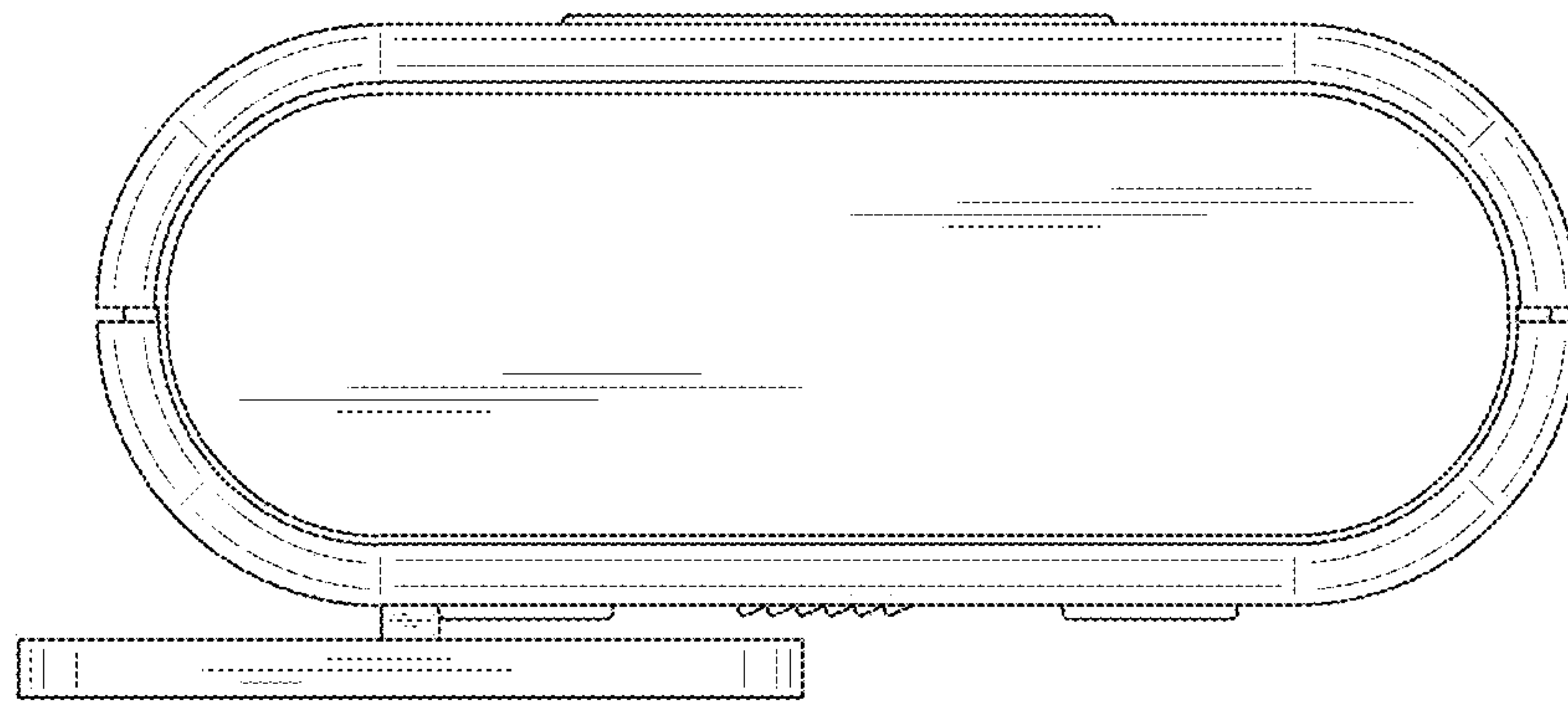


FIG. 5

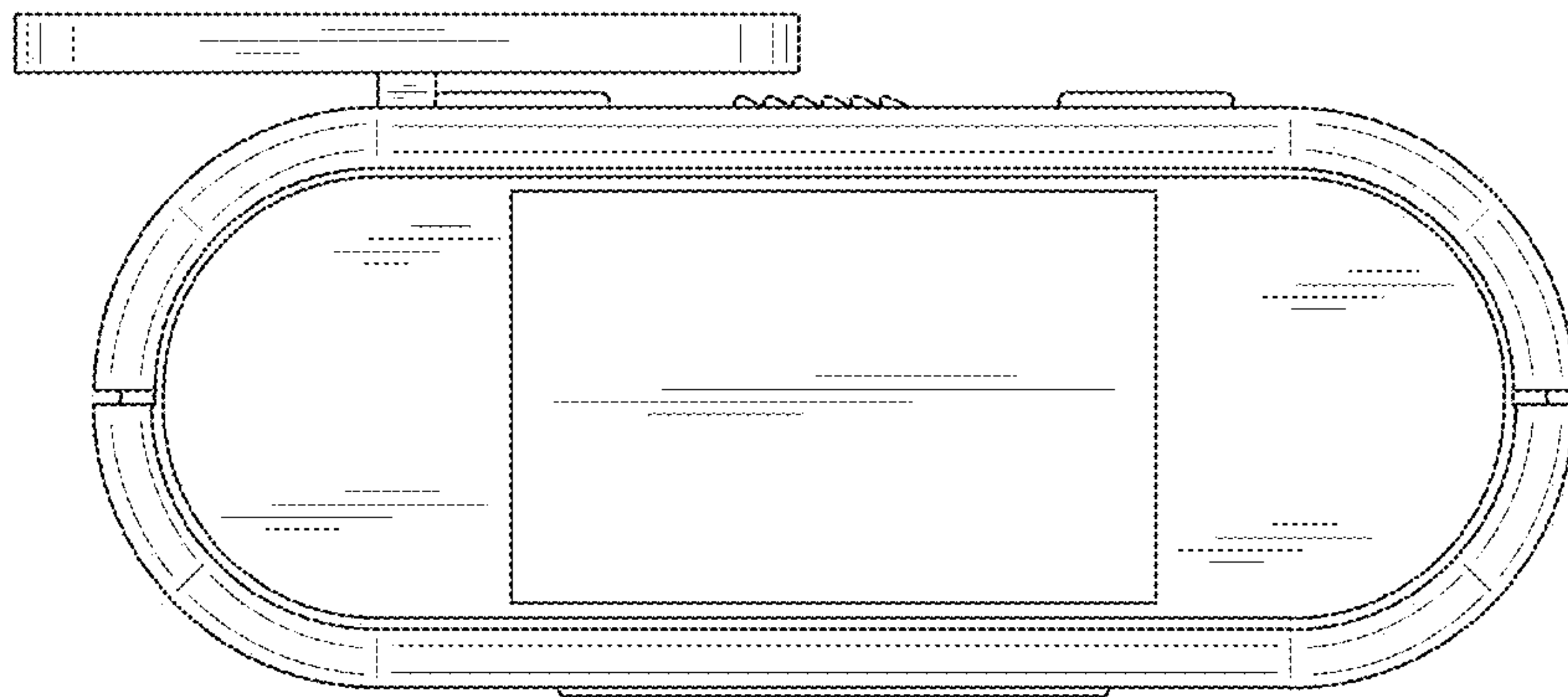


FIG. 6

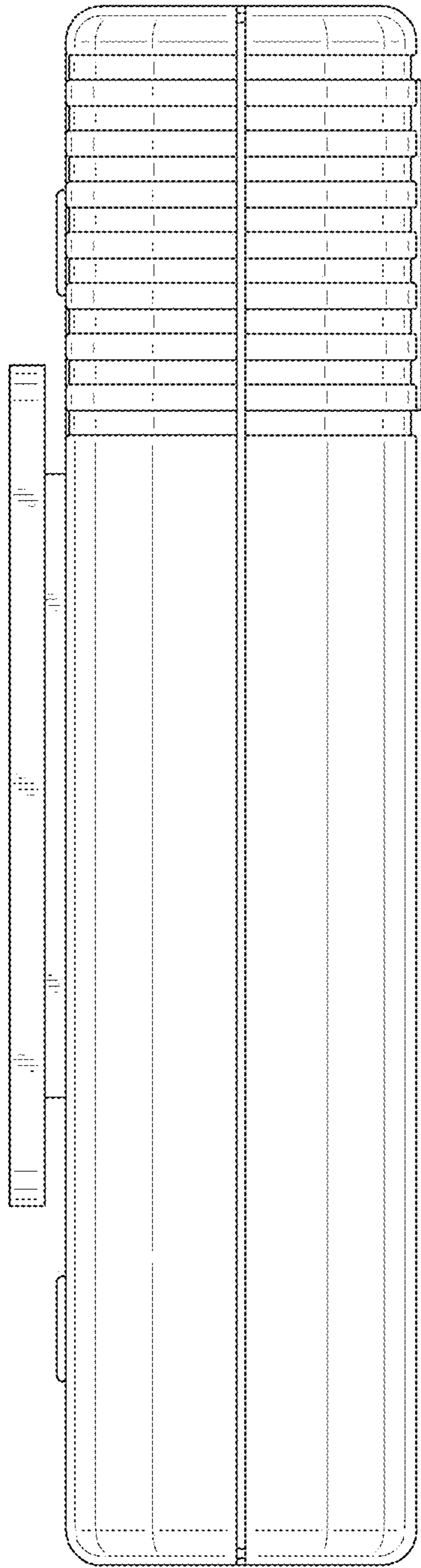


FIG. 7

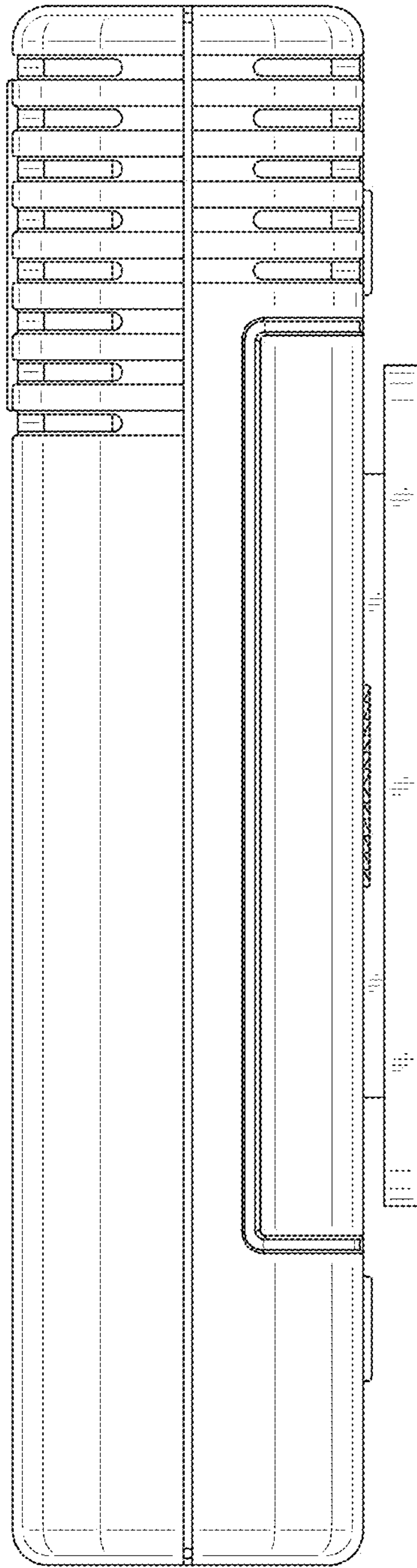


FIG. 8

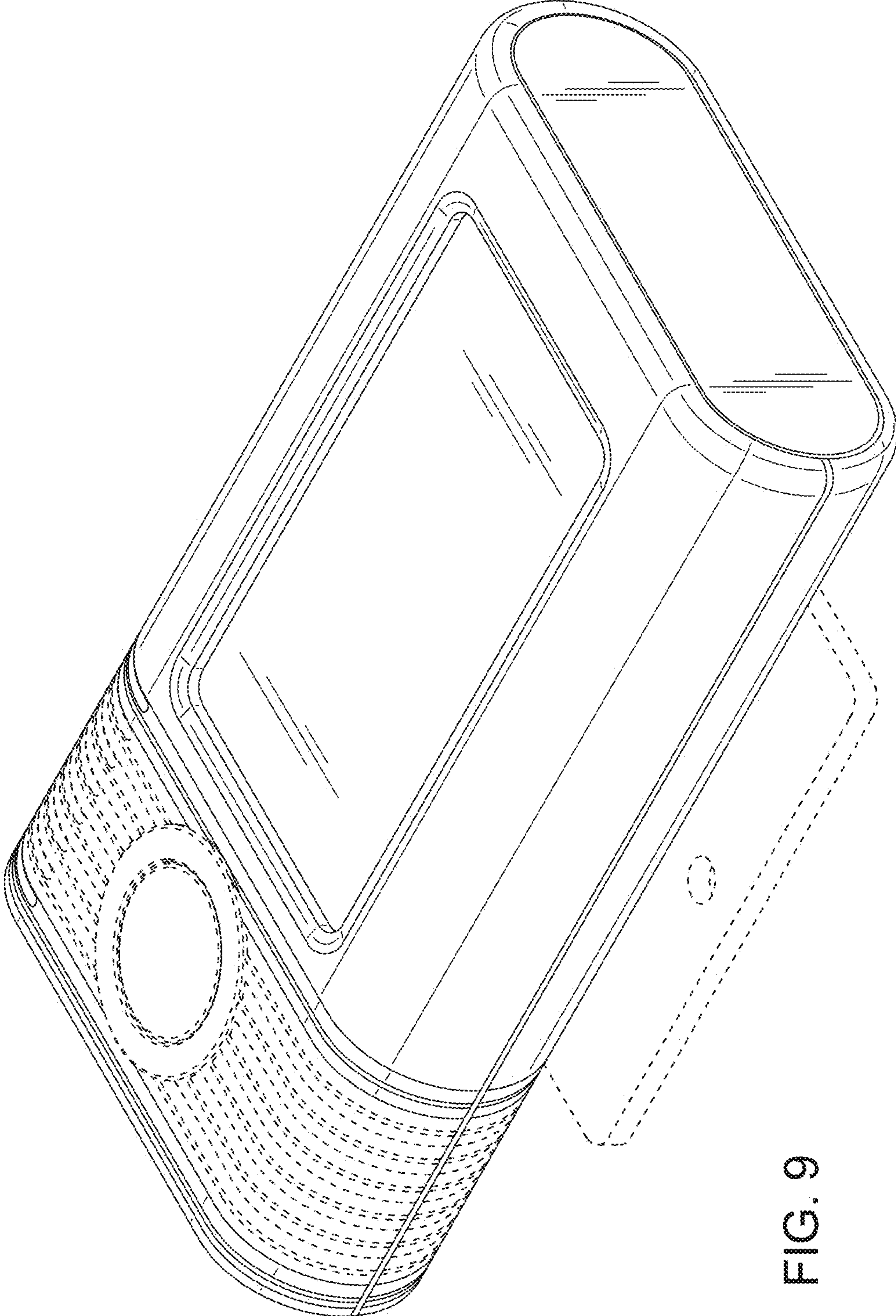


FIG. 9

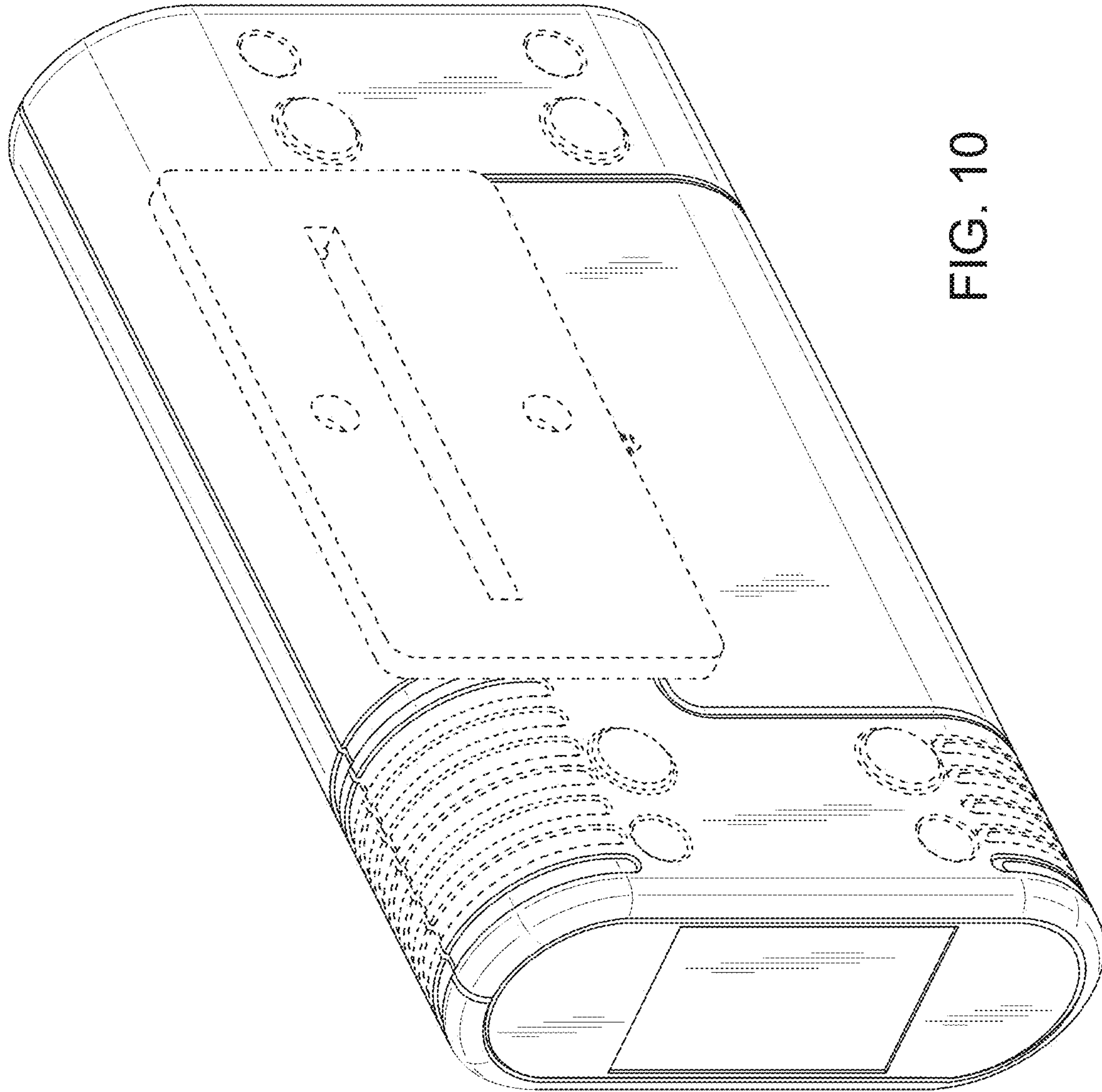


FIG. 10

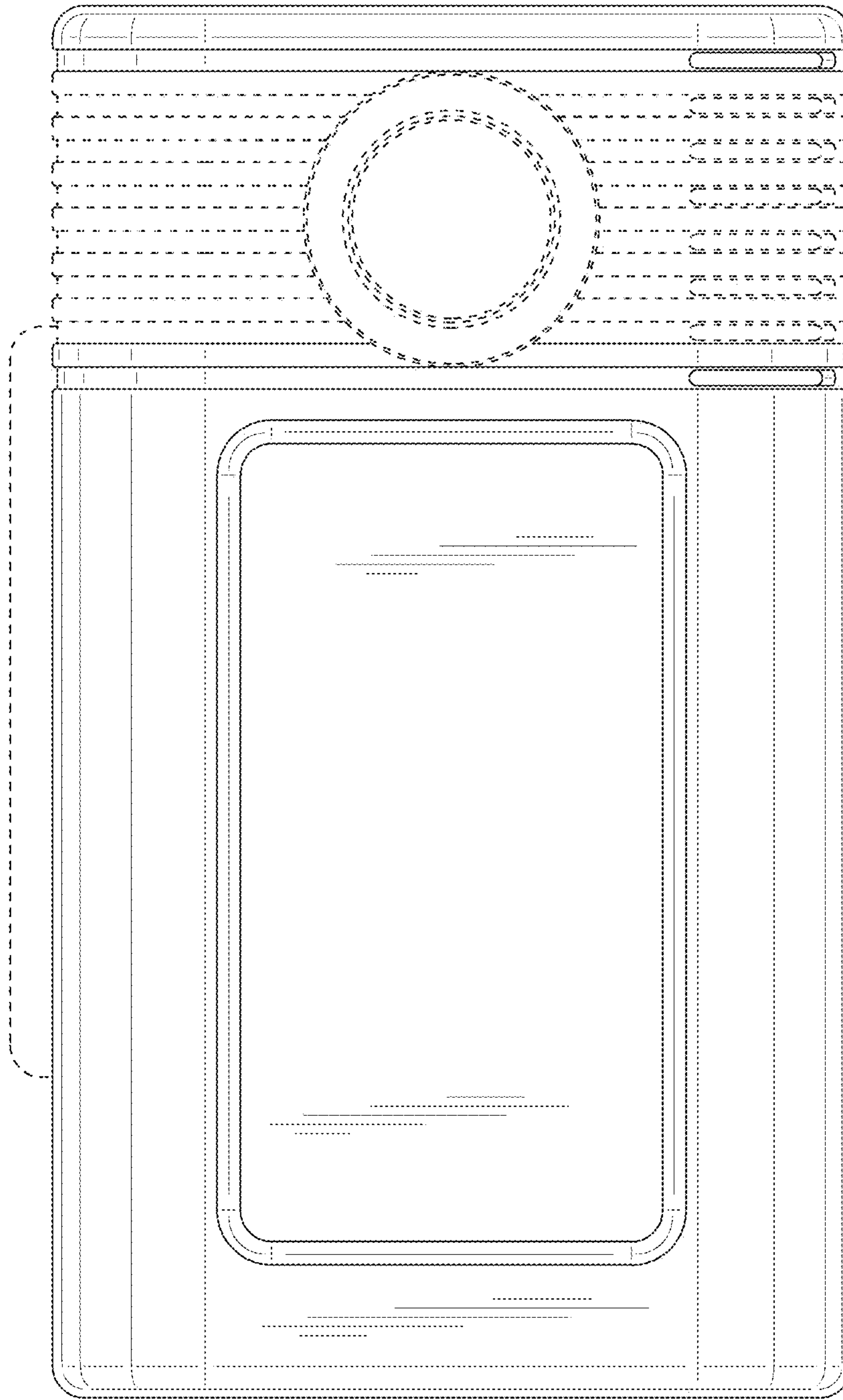


FIG. 11

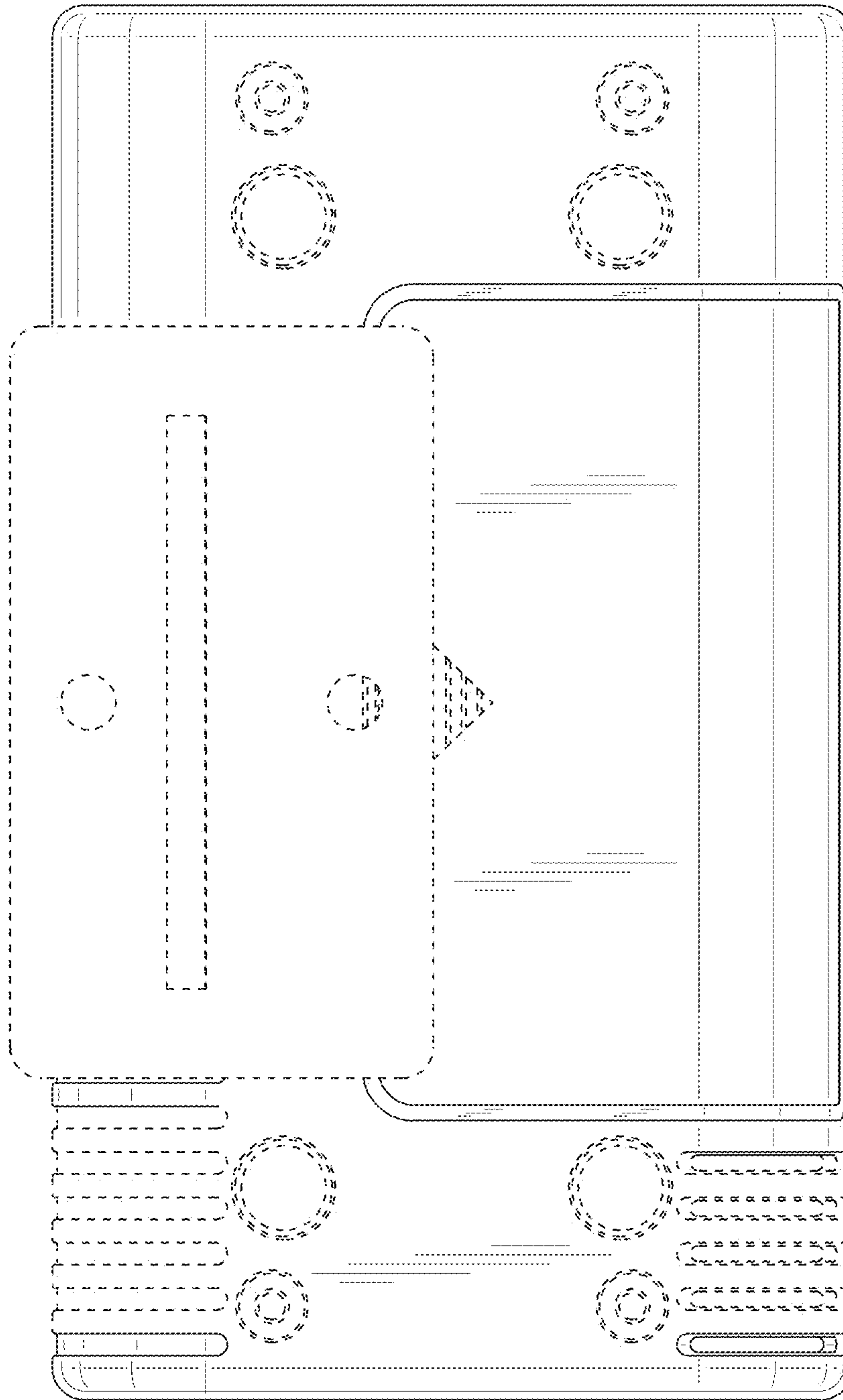


FIG. 12

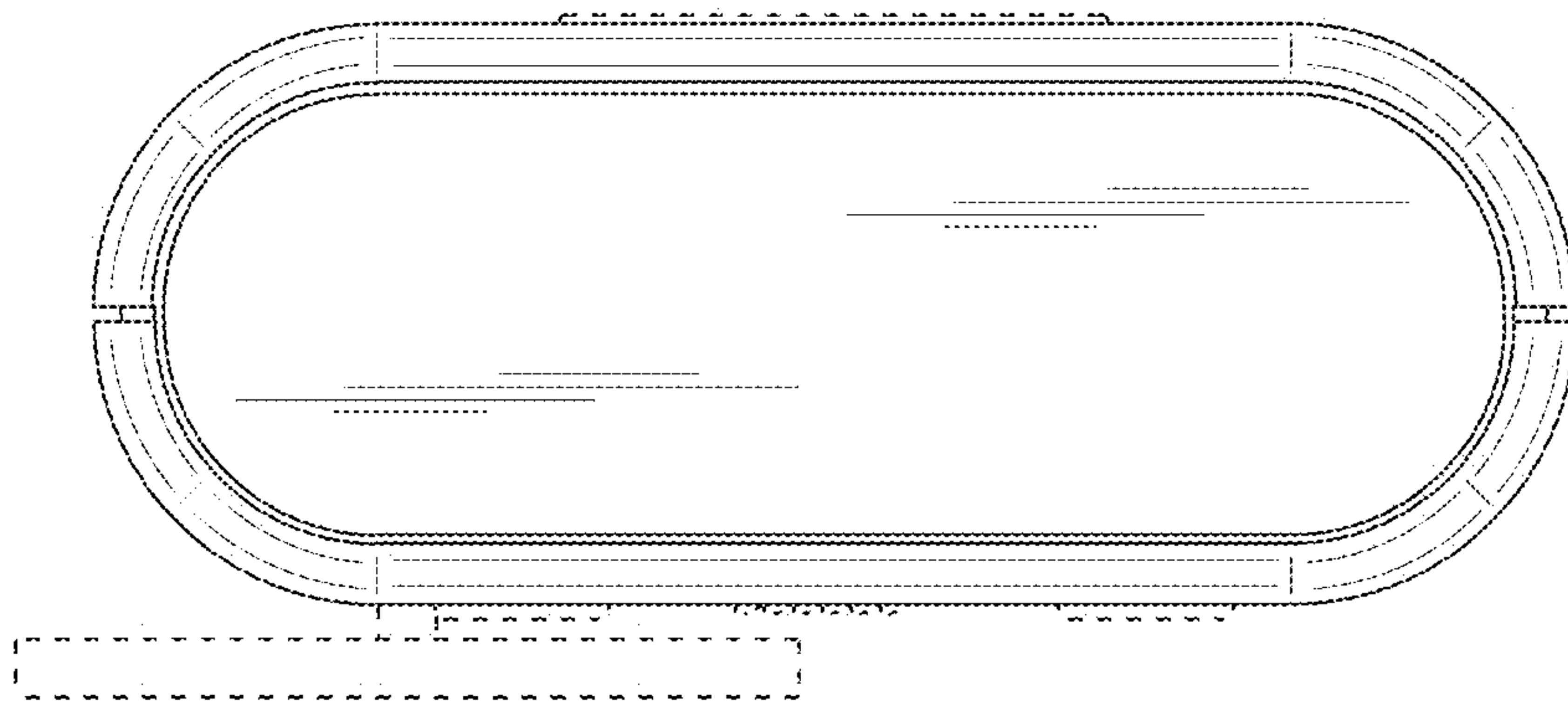


FIG. 13

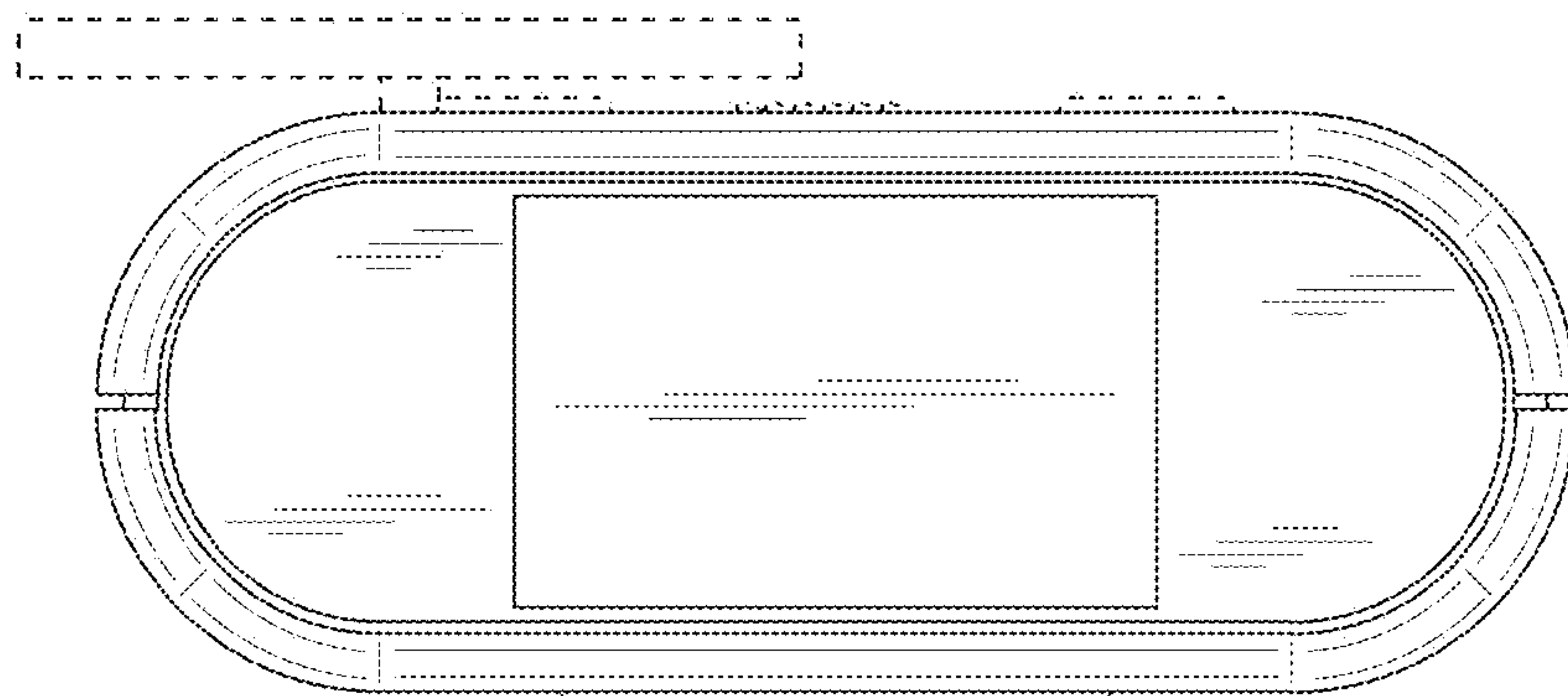


FIG. 14

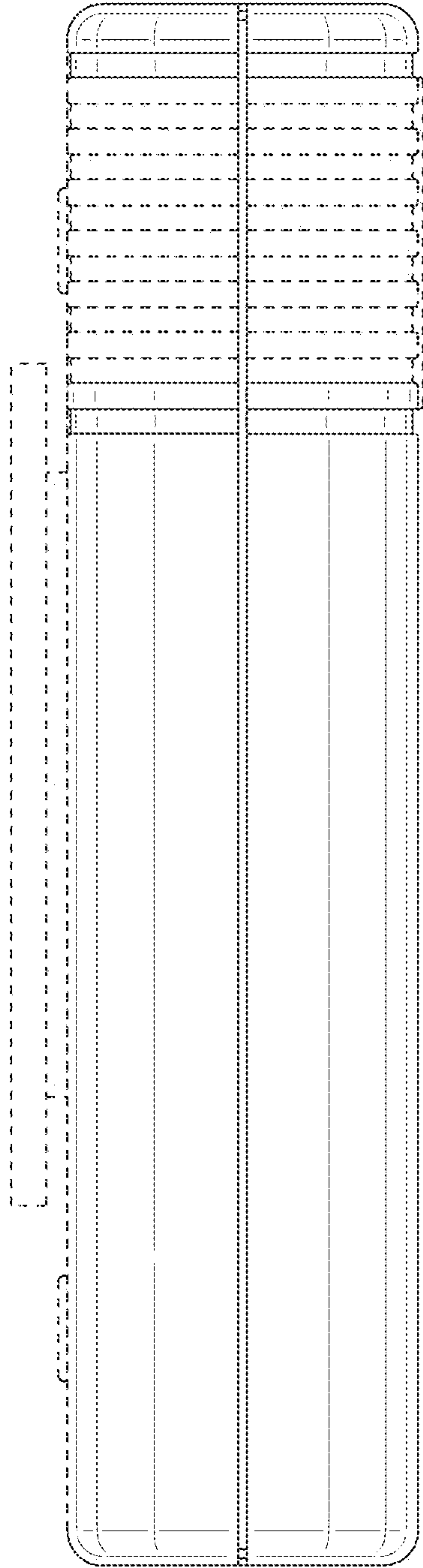


FIG. 15

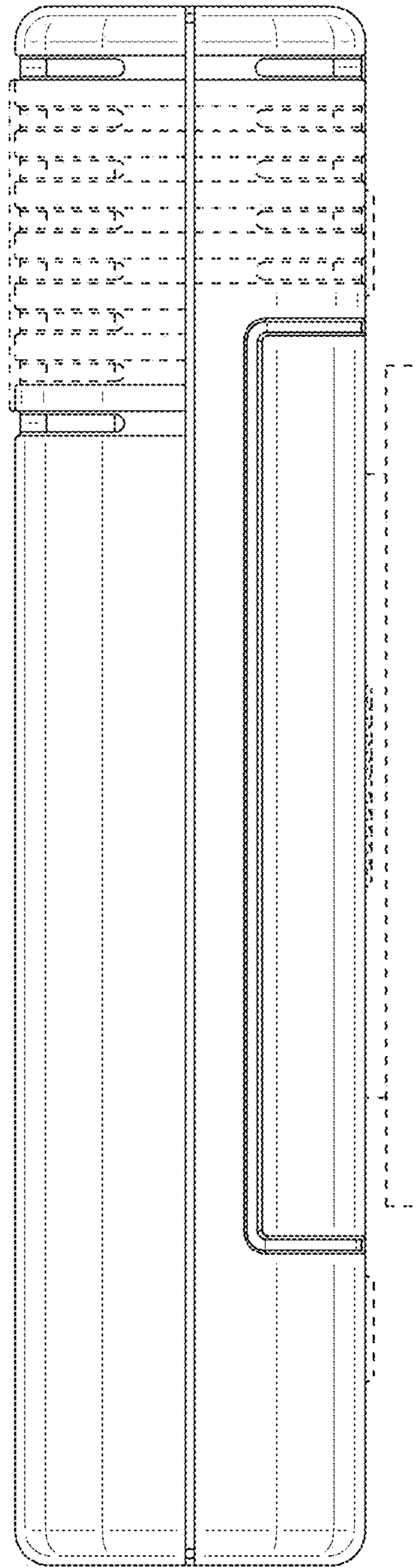


FIG. 16